



US00D419303S

United States Patent [19]

Geiser et al.

[11] **Patent Number: Des. 419,303**

[45] **Date of Patent: ** Jan. 25, 2000**

[54] **CUSTOMIZABLE LUGGAGE IDENTIFICATION AND PERSONALIZATION HANDLE COVER**

[76] Inventors: **Timothy Geiser; Nancy D. Geiser**, both of 26208 Jesmond Dene Rd., Escondido, Calif. 92026

[**] Term: **14 Years**

[21] Appl. No.: **29/095,570**

[22] Filed: **Oct. 26, 1998**

[51] **LOC (7) Cl. 03-99**

[52] **U.S. Cl. D3/321**

[58] **Field of Search** D8/303, 308, 316-317; D3/318, 321, 328, 276, 282, 289; 150/107-110; 190/900-902, 115-118; D9/434-435; 294/74, 137, 149, 156, 170-171

[56] **References Cited**

U.S. PATENT DOCUMENTS

D. 266,033	9/1982	Stark	D3/289
D. 279,234	6/1985	Heine	D3/289
D. 305,959	2/1990	Laguerra	D3/276
D. 344,185	2/1994	Vela	D3/318
D. 348,903	7/1994	Fischtein et al.	D3/282
D. 358,483	5/1995	Cross et al.	D3/276
D. 360,075	7/1995	Cross et al.	D3/289
D. 367,761	3/1996	Knutson	D3/318
D. 370,110	5/1996	Beam	D9/434
1,446,035	2/1923	Conover	190/902
4,408,406	10/1983	Barton	D3/318
5,103,975	4/1992	Liu	150/110
5,722,118	3/1998	Hansen et al.	294/137

Primary Examiner—Louis S. Zarfes
Assistant Examiner—Robert A. Delehanty
Attorney, Agent, or Firm—Richard D. Clarke

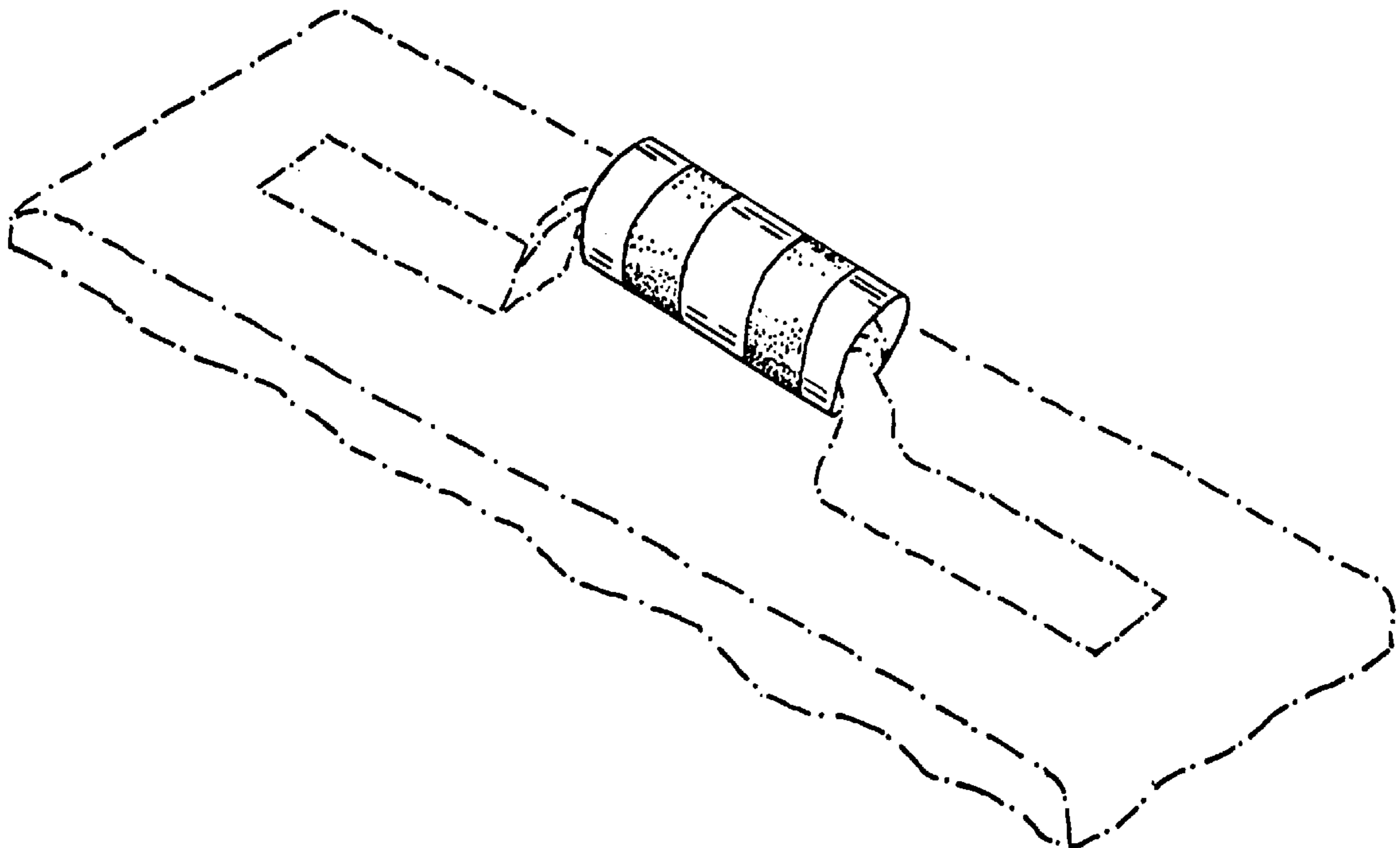
[57] **CLAIM**

We claim the design for a customizable luggage identification and personalization handle cover, as shown and described.

DESCRIPTION

FIG. 1 is a front perspective view of the customizable luggage identification and personalization handle cover, in place attached to the handle of a common type of luggage; FIG. 2 is an enlarged side perspective view of the customizable luggage identification and personalization handle cover in place attached to the handle of a common type of luggage; FIG. 3 is an enlarged top view of the customizable luggage identification and personalization handle cover in place attached to the handle of a common type of luggage; FIG. 4 is a greatly enlarged partially exploded bottom view of the customizable luggage identification and personalization handle cover in an expanded position along with the identification and personalization strips detached from the handle cover; and, FIG. 5 is a greatly enlarged side elevational view of the customizable luggage identification and personalization handle cover in place attached to the handle of a common type of luggage. The broken line showing of environmental structure in FIGS. 1, 2, 3 and 5 is for illustrative purposes only and forms no part of the claimed design.

1 Claim, 2 Drawing Sheets



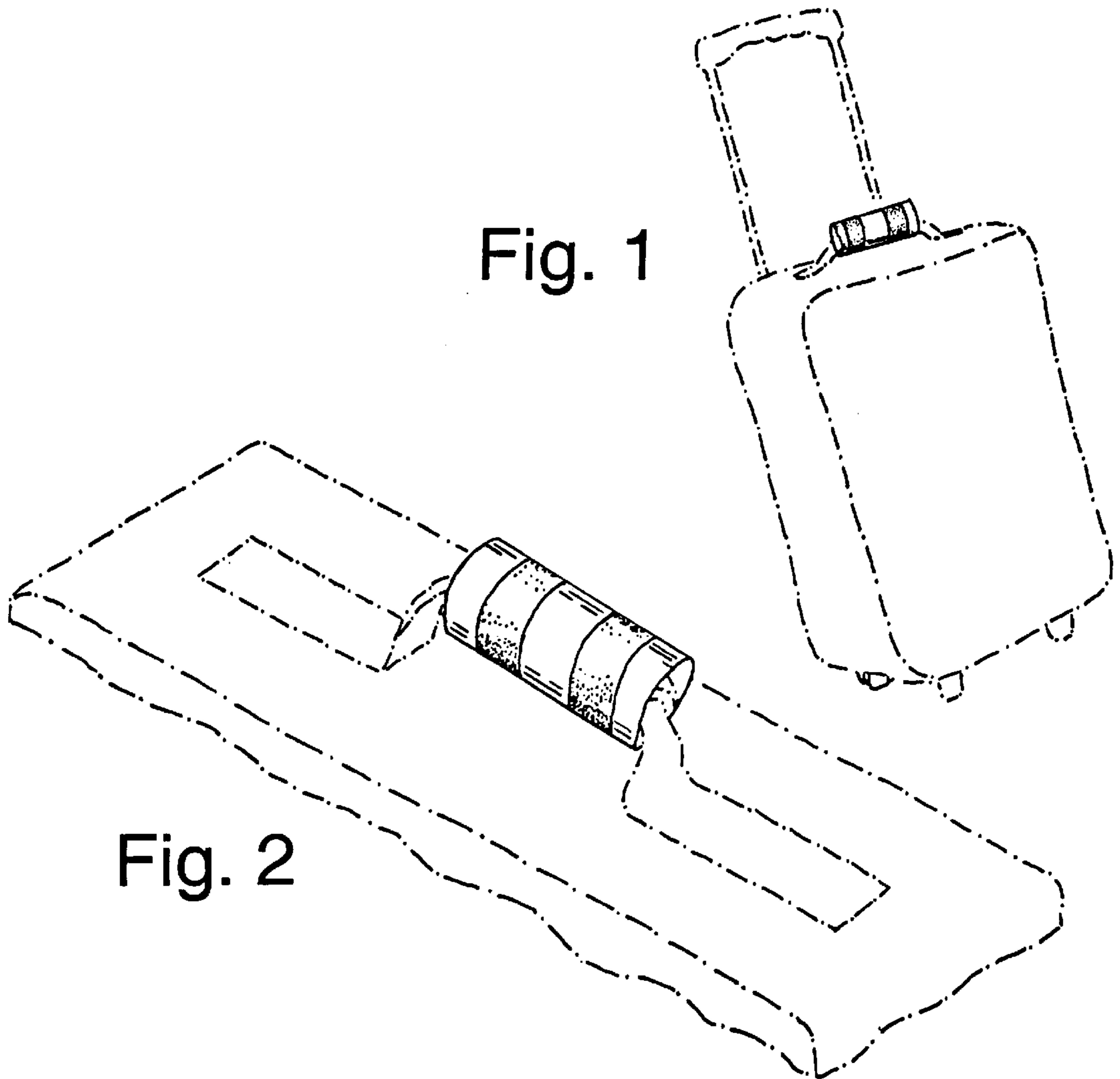


Fig. 2

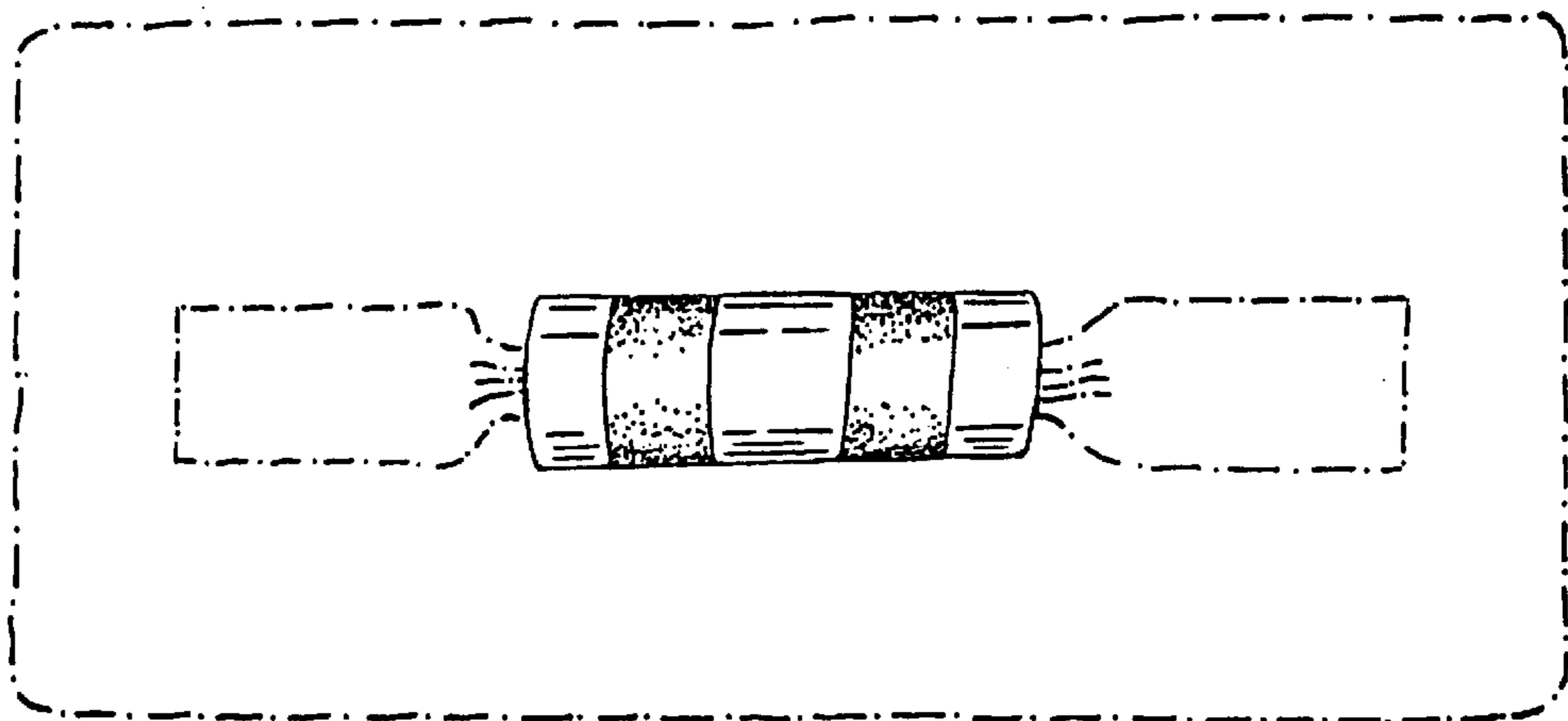


Fig. 3

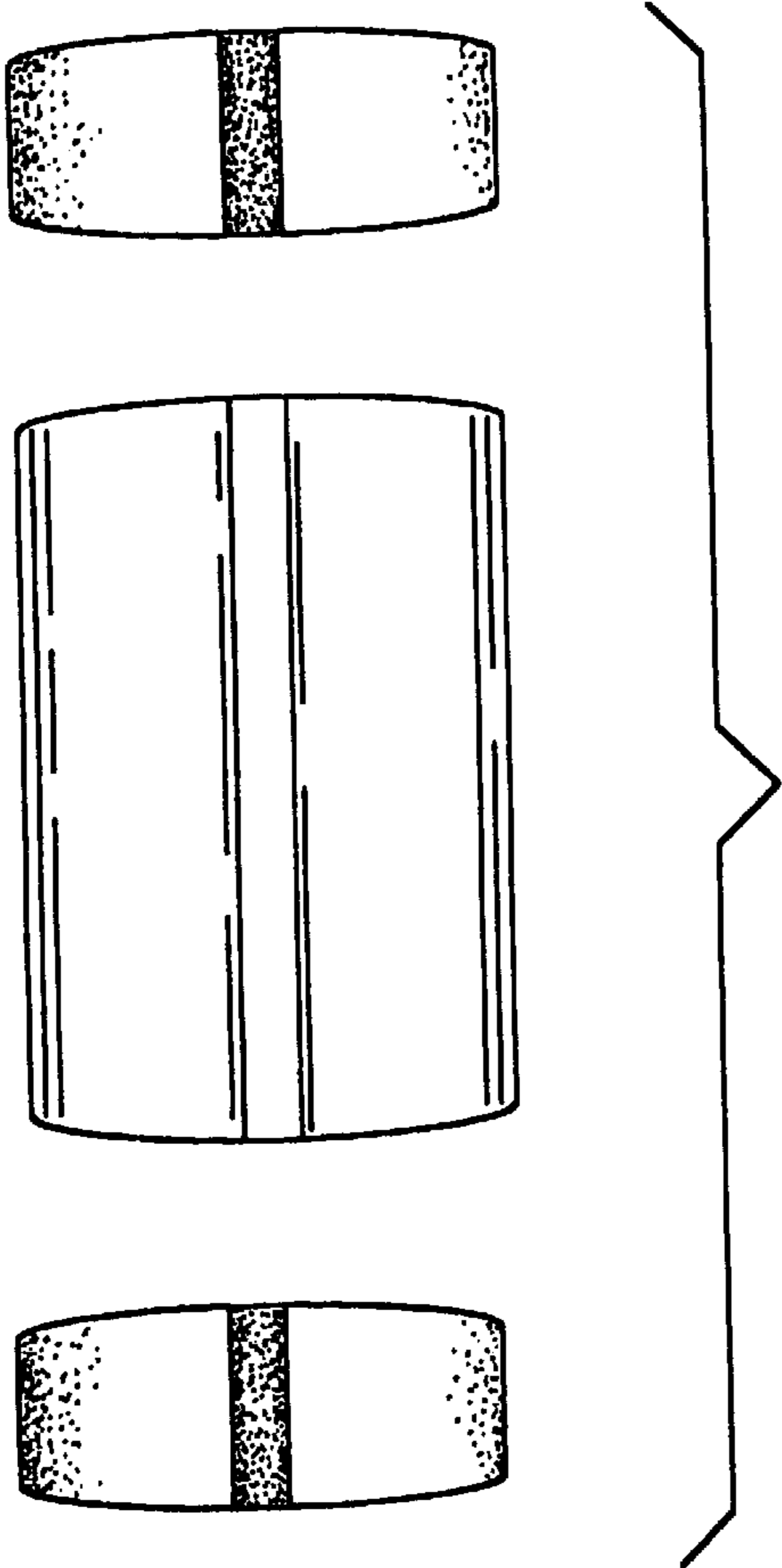


Fig. 4

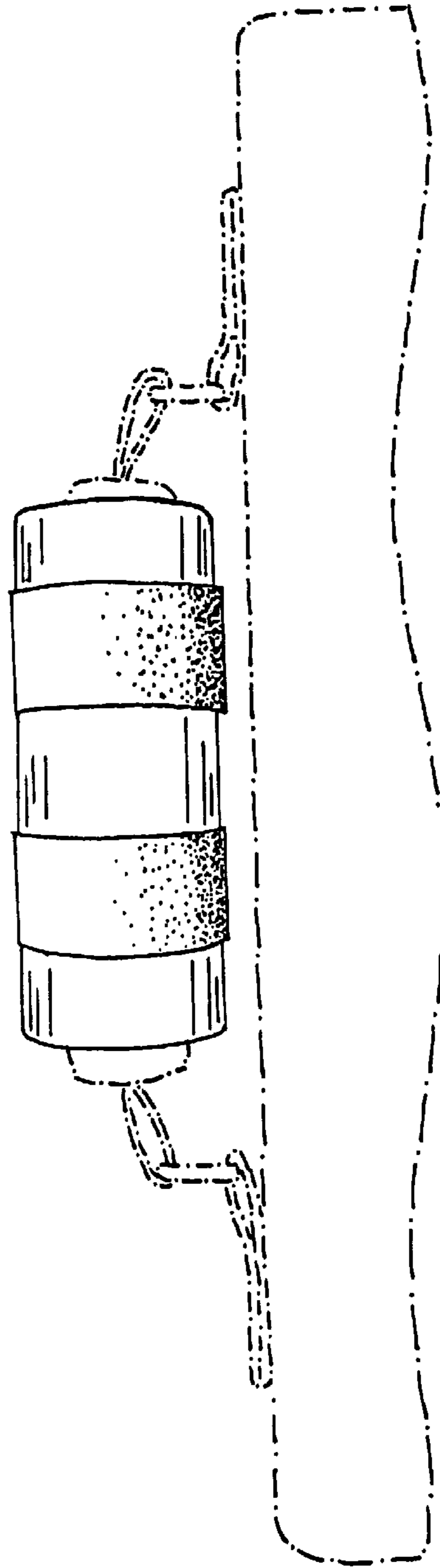


Fig. 5