



US00D419301S

United States Patent [19] Hampshire

[11] **Patent Number: Des. 419,301**

[45] **Date of Patent: ** Jan. 25, 2000**

[54] **MAGNETIC BASKET**

[75] Inventor: **James Hampshire**, Solon, Ohio

[73] Assignee: **InterDesign, Inc.**, Solon, Ohio

[**] Term: **14 Years**

[21] Appl. No.: **29/098,581**

[22] Filed: **Dec. 31, 1998**

[51] **LOC (7) Cl.** **03-01**

[52] **U.S. Cl.** **D3/304; D6/567**

[58] **Field of Search** D34/1, 4, 5, 6;
D3/304; D9/418; 220/908, 911, 910; D6/573,
553

[56] **References Cited**

U.S. PATENT DOCUMENTS

D. 168,809	2/1953	Sapirstein	D3/304
D. 177,713	5/1956	Bracken	D3/304
D. 286,485	11/1986	Frizzell	D6/573
D. 314,488	2/1991	Aaldenberg et al.	D6/567
D. 336,703	6/1993	Mason, Jr. et al.	D34/1
D. 347,512	5/1994	Yoshikawa	D3/304
D. 410,164	5/1999	Rashid	D6/567
1,657,049	1/1928	Van Sicklen, Jr.	220/911

Primary Examiner—Susan J. Lucas
Assistant Examiner—Cynthia Ramirez
Attorney, Agent, or Firm—D. Peter Hochberg; William H. Holt

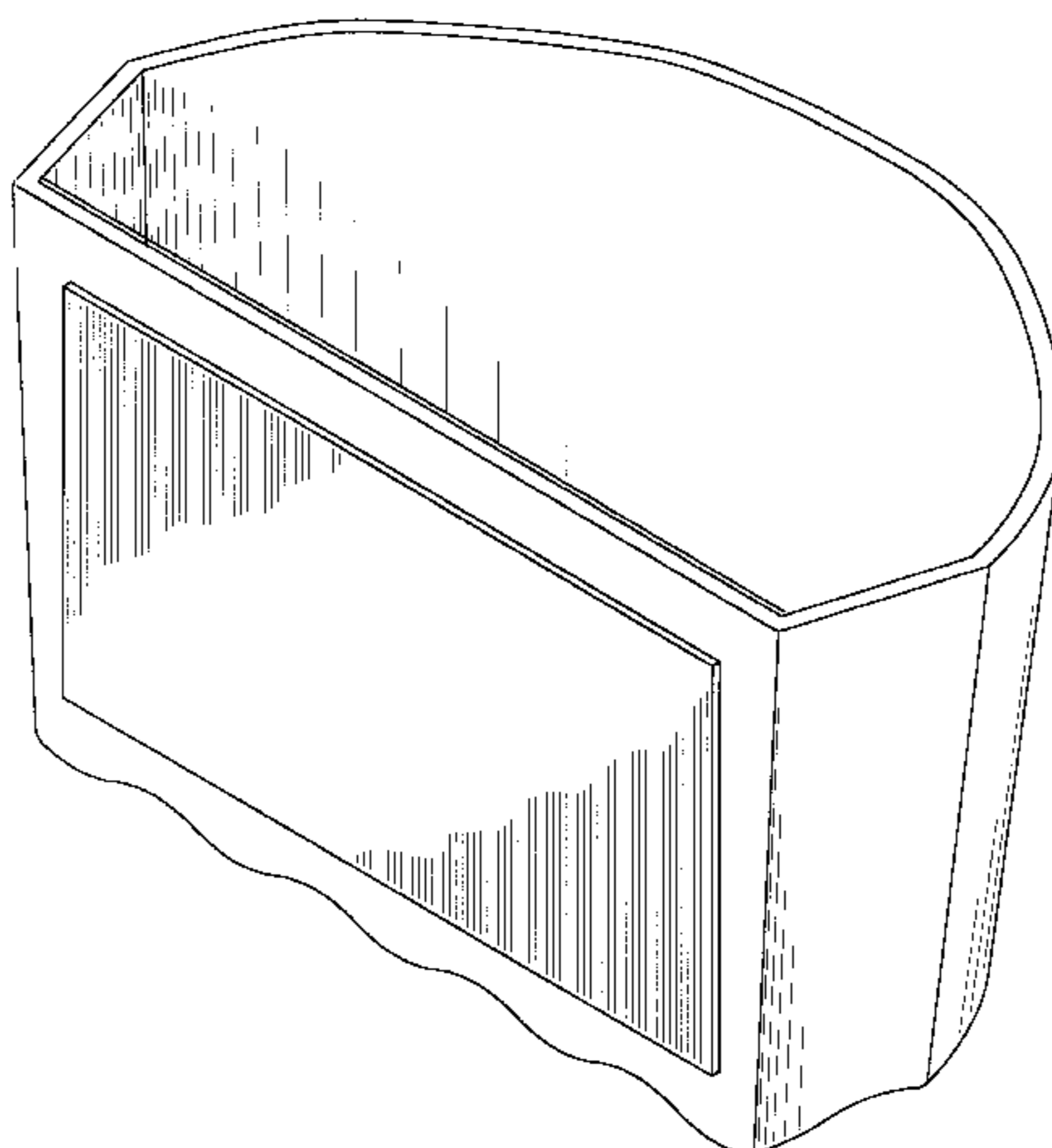
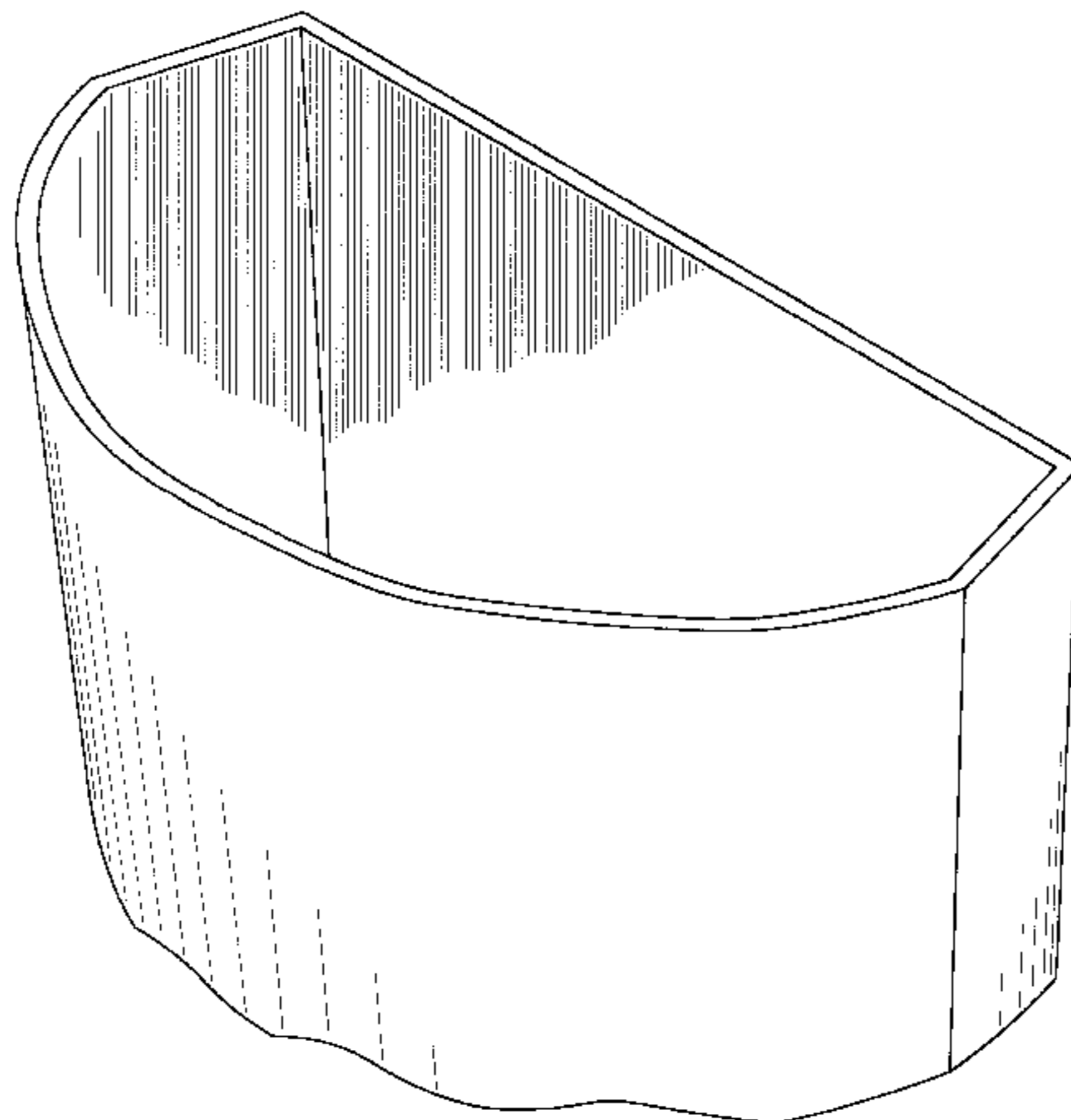
[57] **CLAIM**

The ornamental design for a magnetic basket, as shown and described.

DESCRIPTION

FIG. 1 is a front perspective view of the magnetic basket according to the invention;
FIG. 2 is a rear perspective view of the magnetic basket as shown in FIG. 1;
FIG. 3 is a top side view of the magnetic basket as shown in FIG. 1;
FIG. 4 is a front view of the magnetic basket as shown in FIG. 1;
FIG. 5 is a back view of the magnetic basket as shown in FIG. 1;
FIG. 6 is a bottom view of the magnetic basket as shown in FIG. 1; and,
FIG. 7 is a side view of the magnetic basket as shown in FIG. 1.

1 Claim, 5 Drawing Sheets



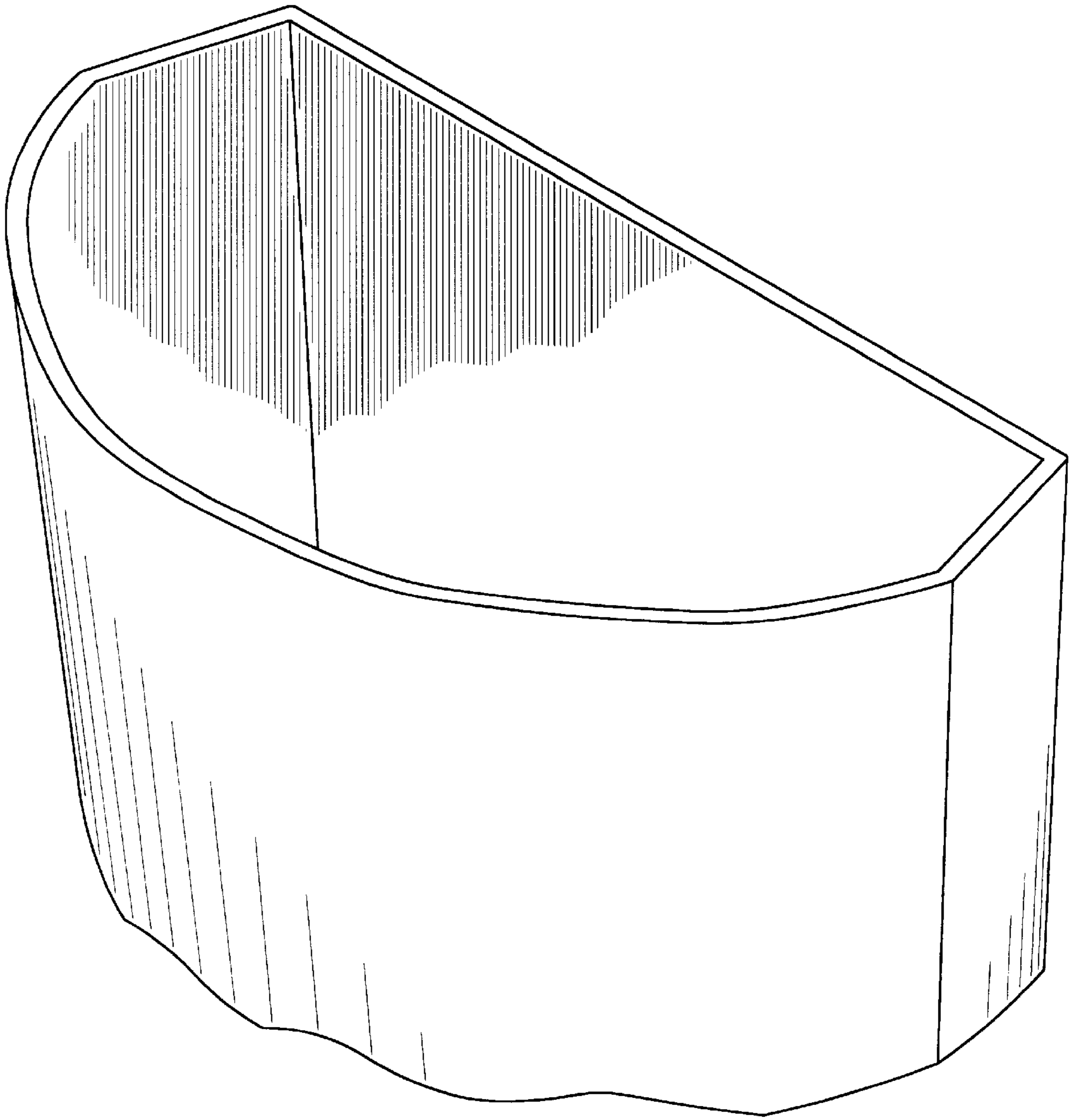


FIG-1

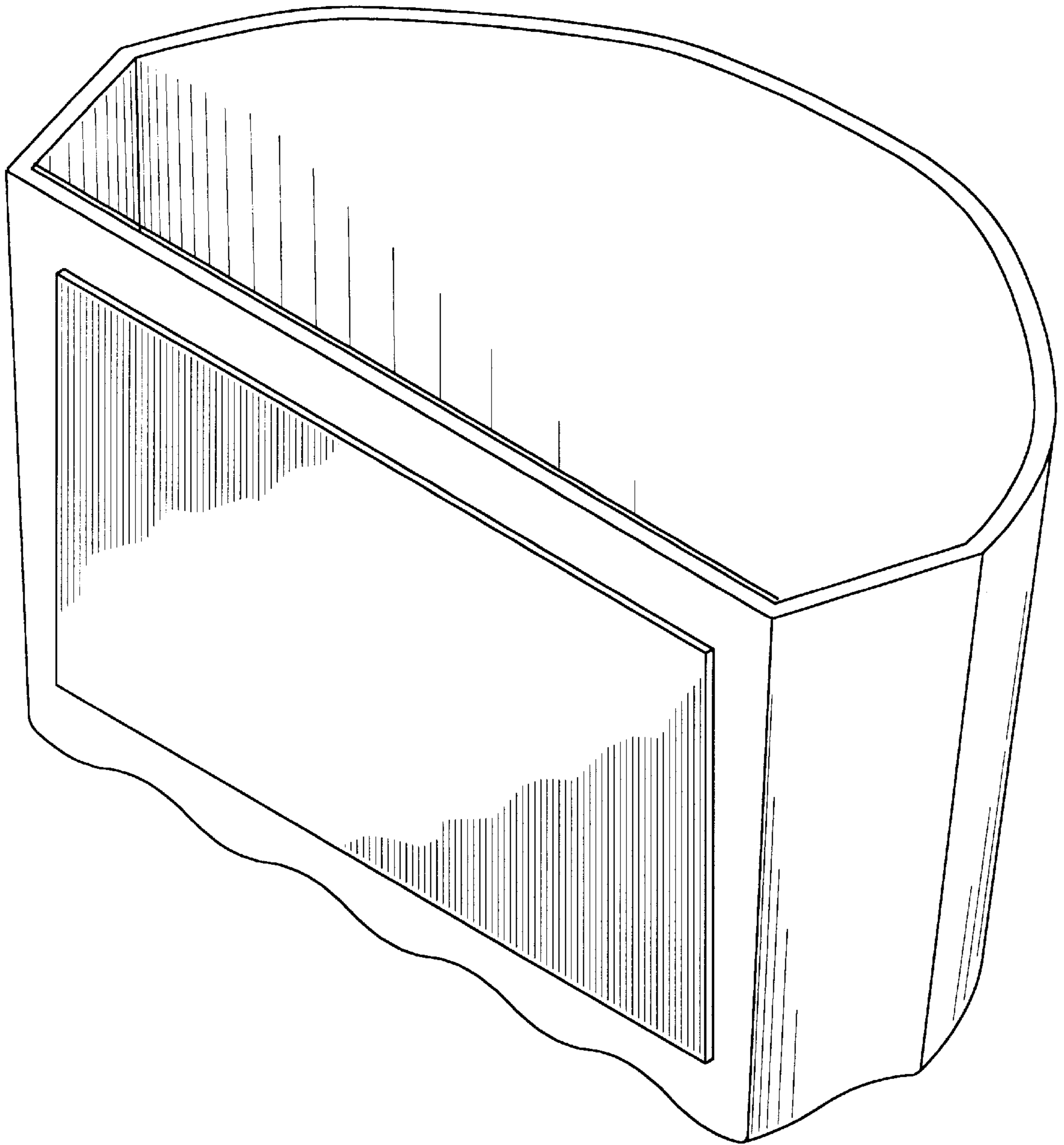


FIG-2

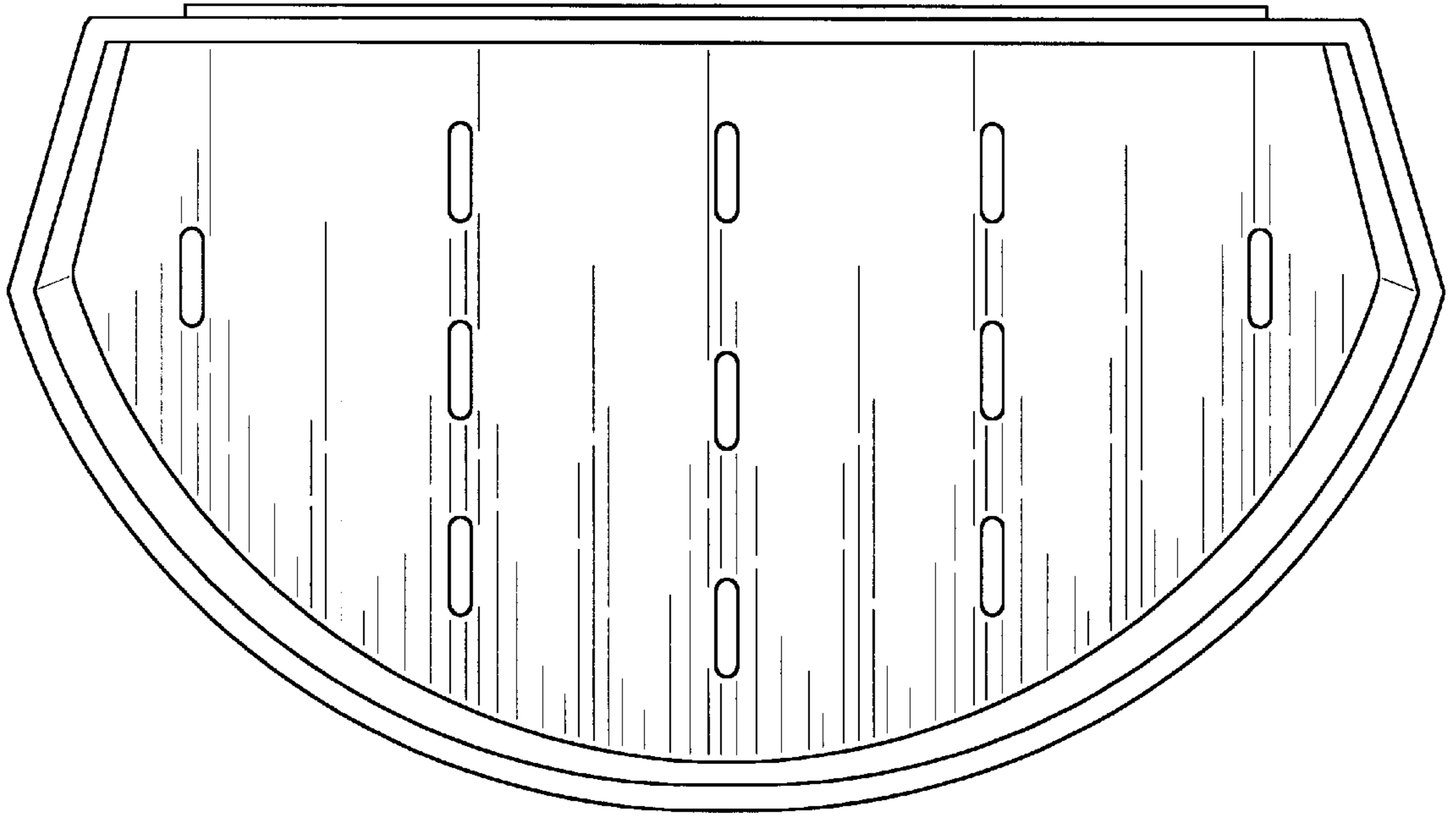


FIG-3

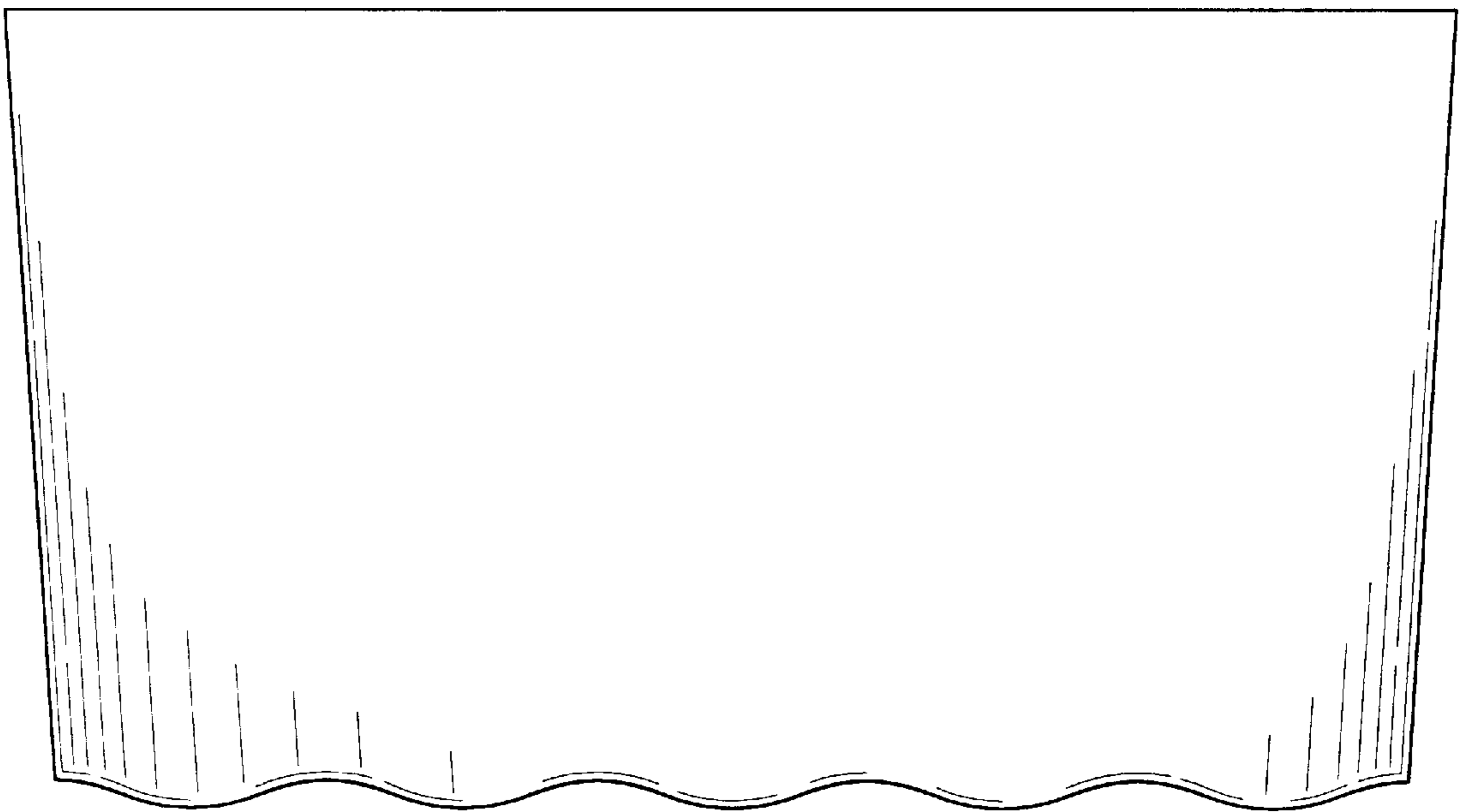


FIG-4

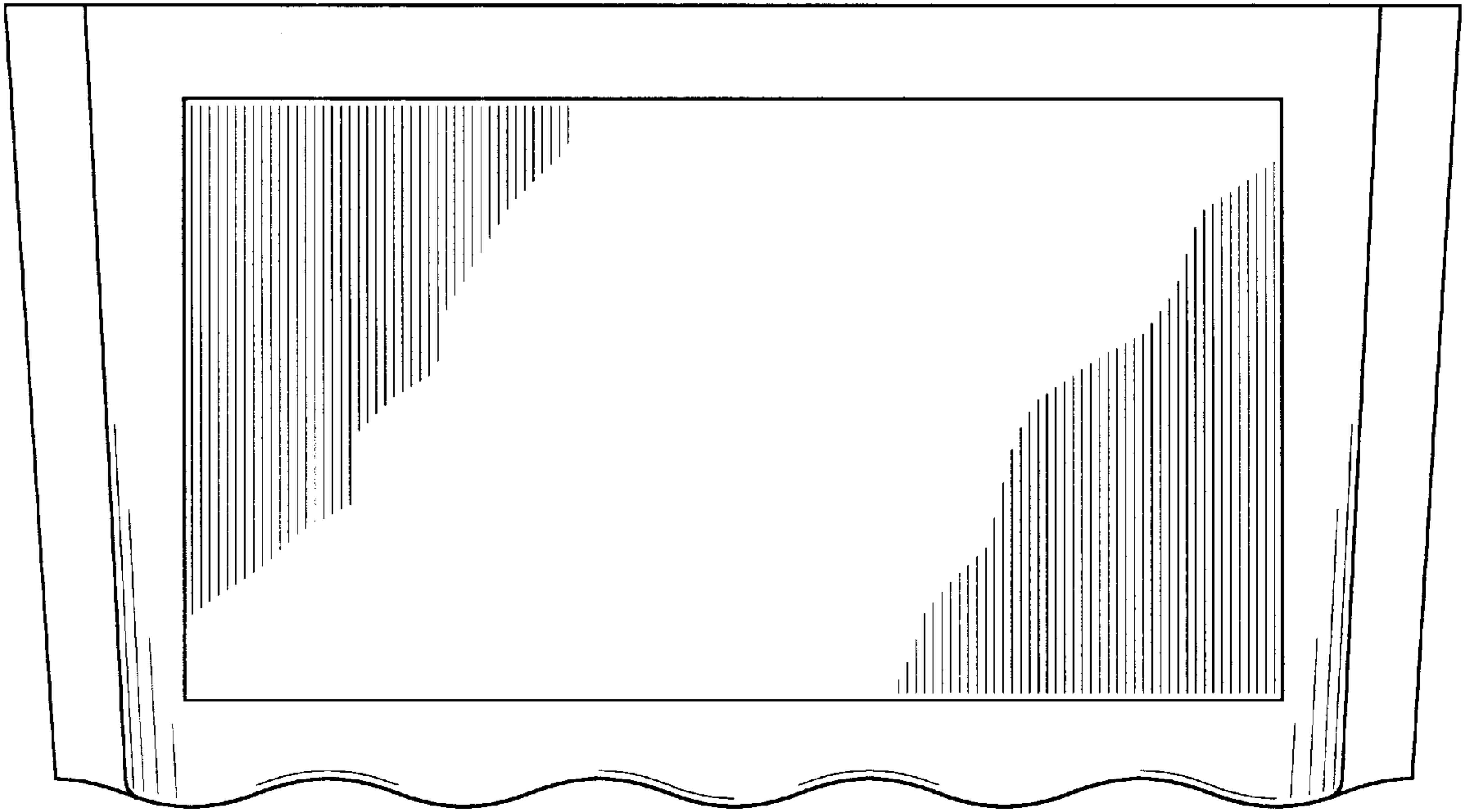


FIG-5

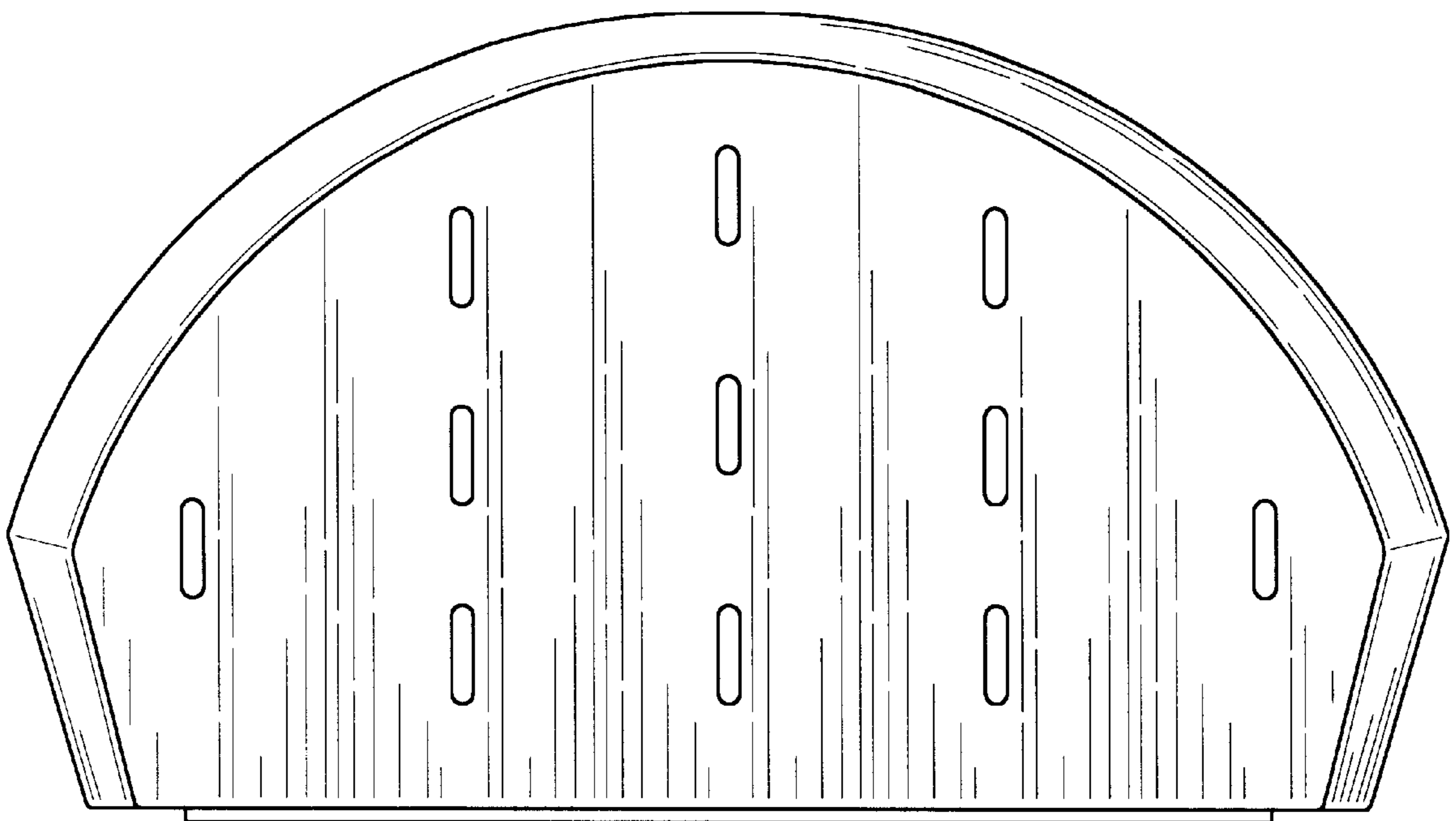


FIG-6

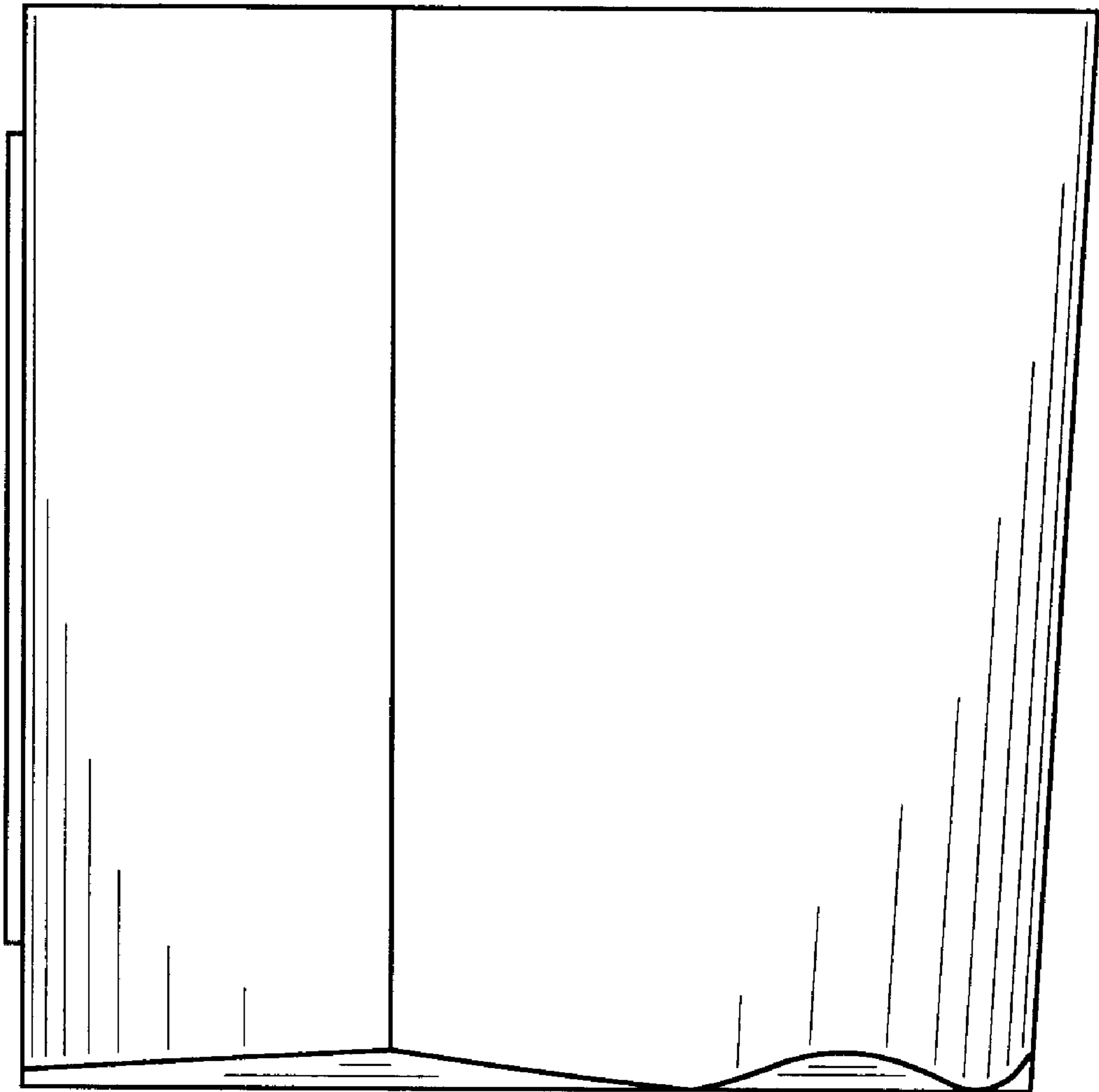


FIG-7