



US00D419299S

# United States Patent [19]

[11] Patent Number: **Des. 419,299**

**Bauer**

[45] Date of Patent: **\*\* Jan. 25, 2000**

[54] **CARRYING BAG**

*Primary Examiner*—Philip S. Hyder  
*Attorney, Agent, or Firm*—Morland C. Fischer

[76] Inventor: **Stanley Bauer**, 2261 S. Carmelina Ave., Los Angeles, Calif. 90064-1001

[57] **CLAIM**

[\*\*] Term: **14 Years**

The ornamental design for a carrying bag, as shown and described.

[21] Appl. No.: **29/098,035**

### DESCRIPTION

[22] Filed: **Dec. 21, 1998**

FIG. 1 is a perspective view showing the front, left side and top of the carrying bag which forms my new design;

[51] **LOC (7) Cl.** ..... **03-01**

FIG. 2 is a top plan view thereof;

[52] **U.S. Cl.** ..... **D3/279; D3/284; D3/289**

FIG. 3 is a front elevational view thereof;

[58] **Field of Search** ..... D3/273, 276, 279, D3/283, 284, 285, 286, 287, 301, 288, 289; 190/18 A, 100, 110, 112, 113, 114, 115

FIG. 4 is a left side elevational view thereof;

FIG. 5 is a right side elevational view thereof;

FIG. 6 is a bottom plan view thereof;

FIG. 7 is a rear elevational view thereof;

### [56] References Cited

#### U.S. PATENT DOCUMENTS

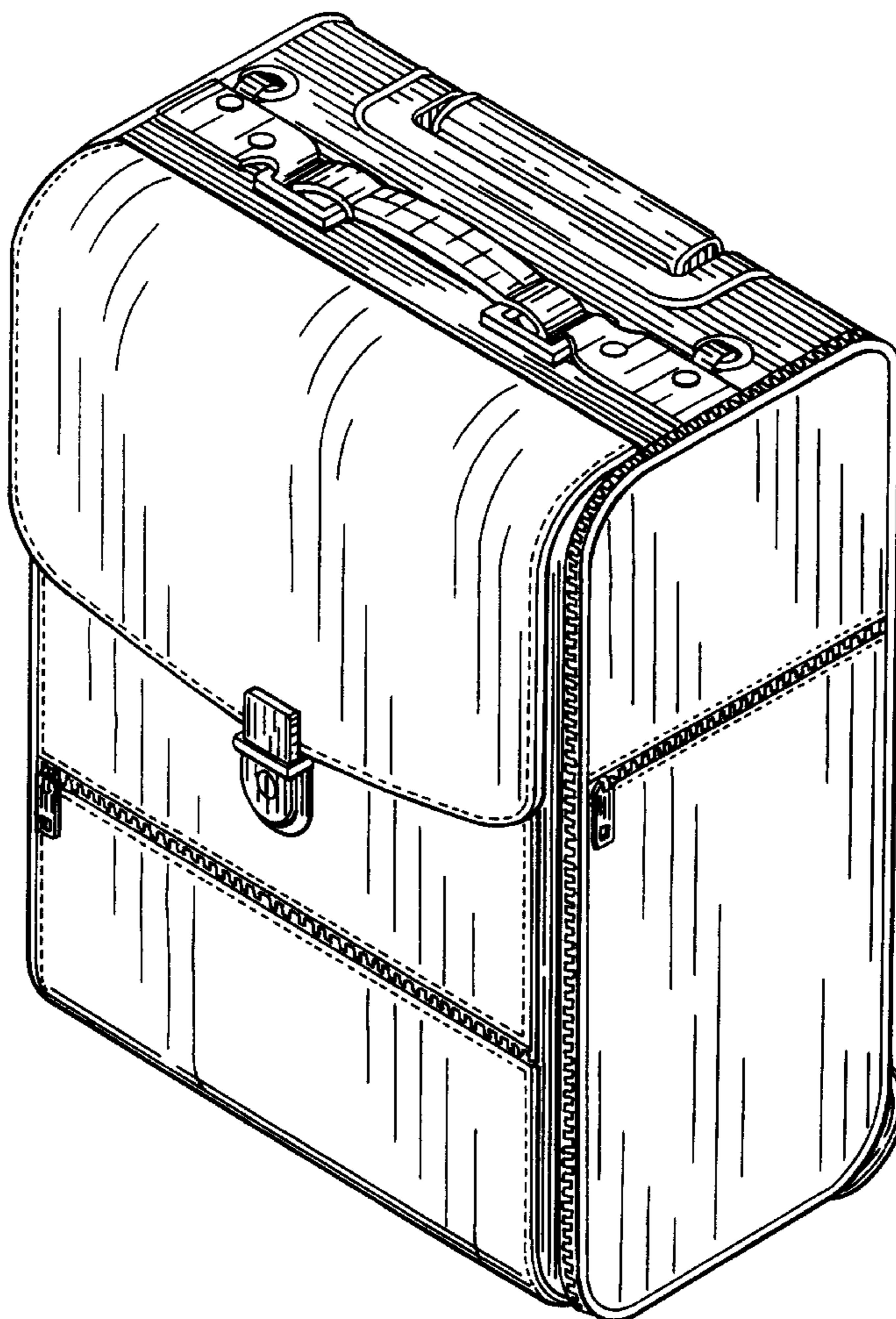
D. 357,808	5/1995	Aumasson	.....	D3/276
D. 374,773	10/1996	Domotor	.....	D3/279
D. 374,987	10/1996	Hughes	.....	D3/279
D. 385,699	11/1997	Lin	.....	D3/279
D. 387,625	12/1997	Kai Fai	.....	D3/279
D. 389,308	1/1998	King et al.	.....	D3/279
D. 395,164	6/1998	Langmuir et al.	.....	D3/279
D. 395,361	6/1998	Zionts et al.	.....	D3/279

FIG. 8 is a left side elevational view of my carrying bag as shown in FIG. 4 with a side panel rotated to an open position to show the interior thereof;

FIG. 9 is a partially broken front elevational view of my carrying bag as shown in FIG. 3 with a flap closure rotated above the top thereof; and,

FIG. 10 is a perspective view of my carrying bag as shown in FIG. 1 with a telescoping handle extended to a raised position above the top thereof and the left side panel rotated to the open position.

**1 Claim, 6 Drawing Sheets**



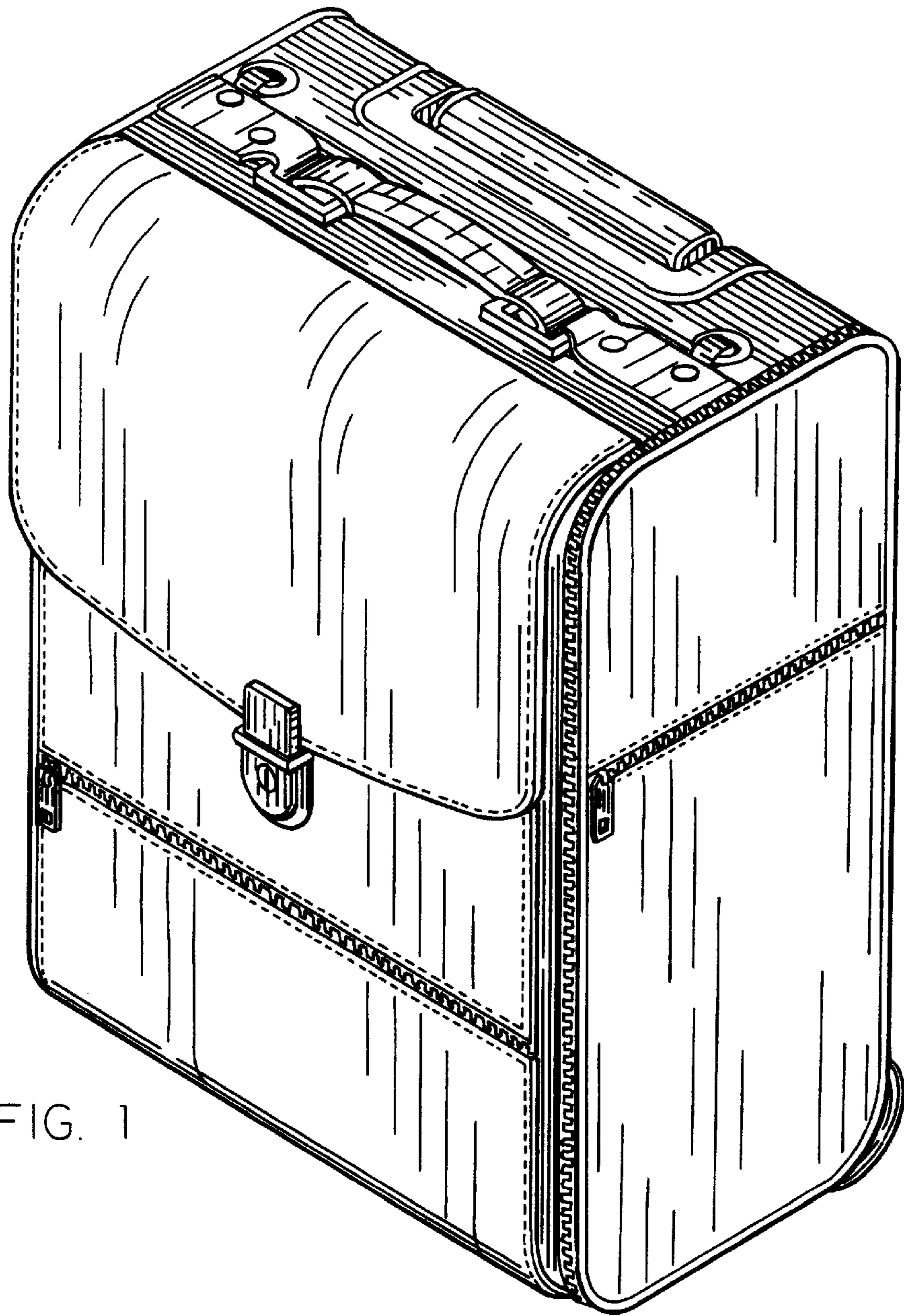


FIG. 1

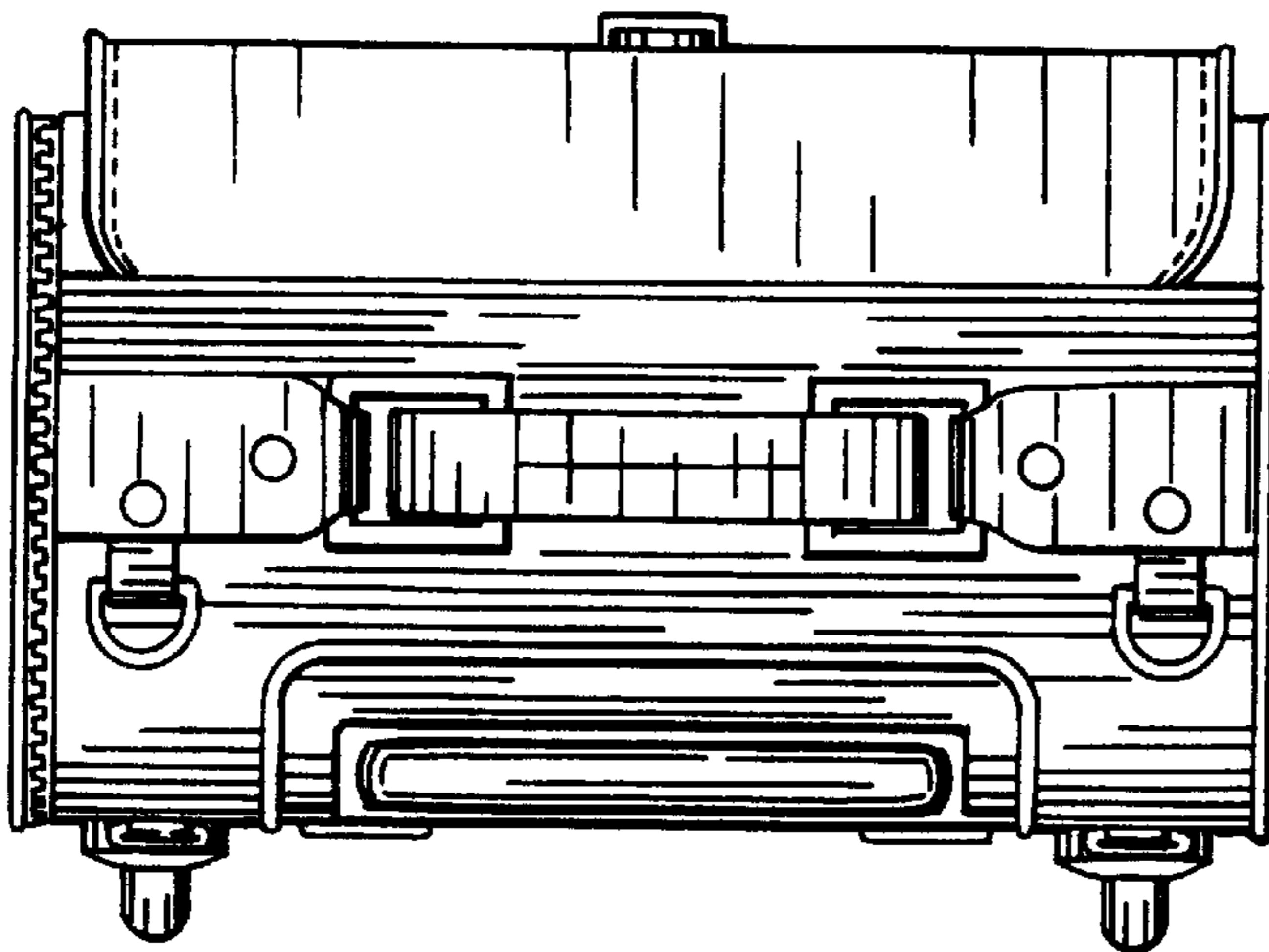


FIG. 2

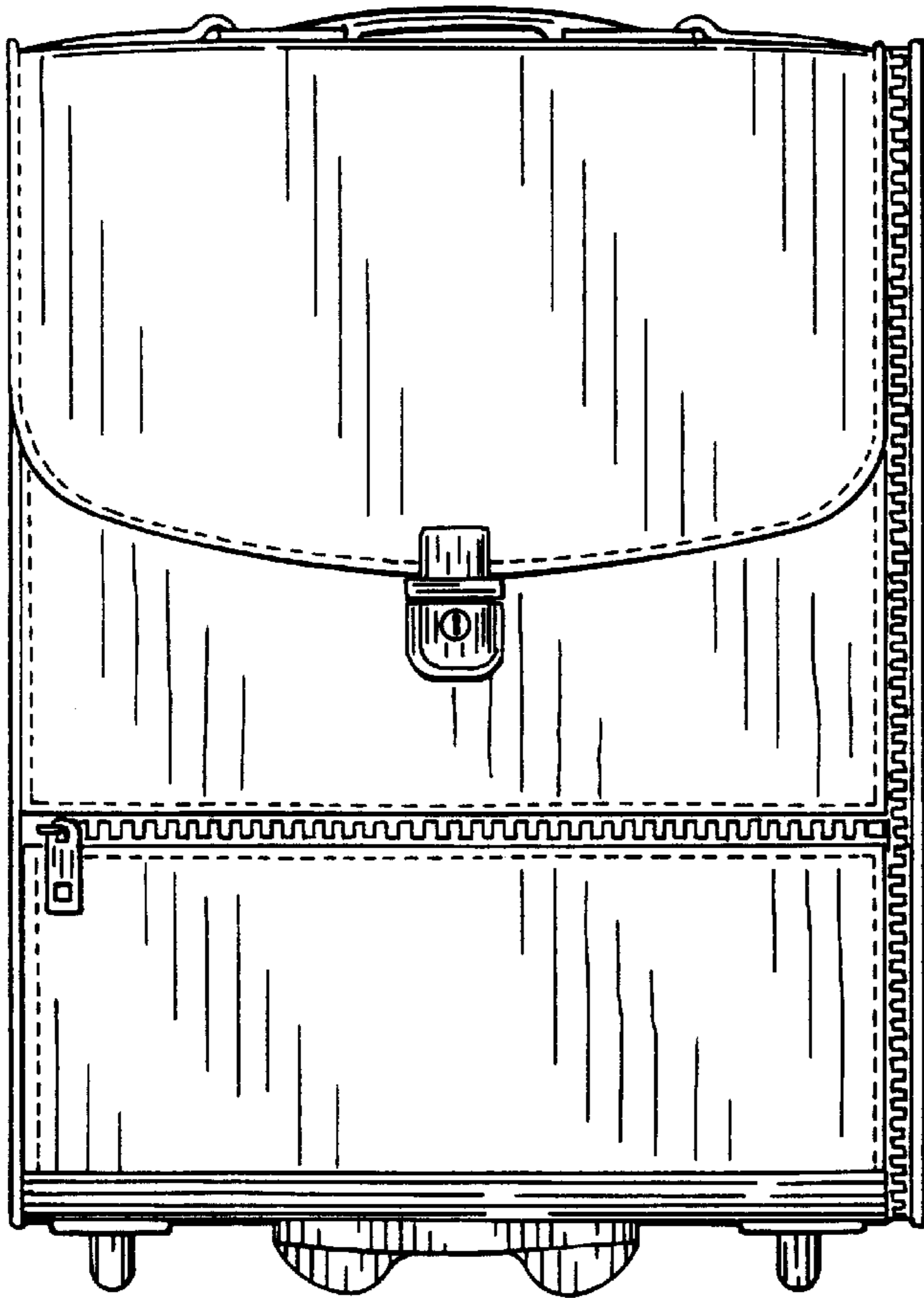


FIG. 3

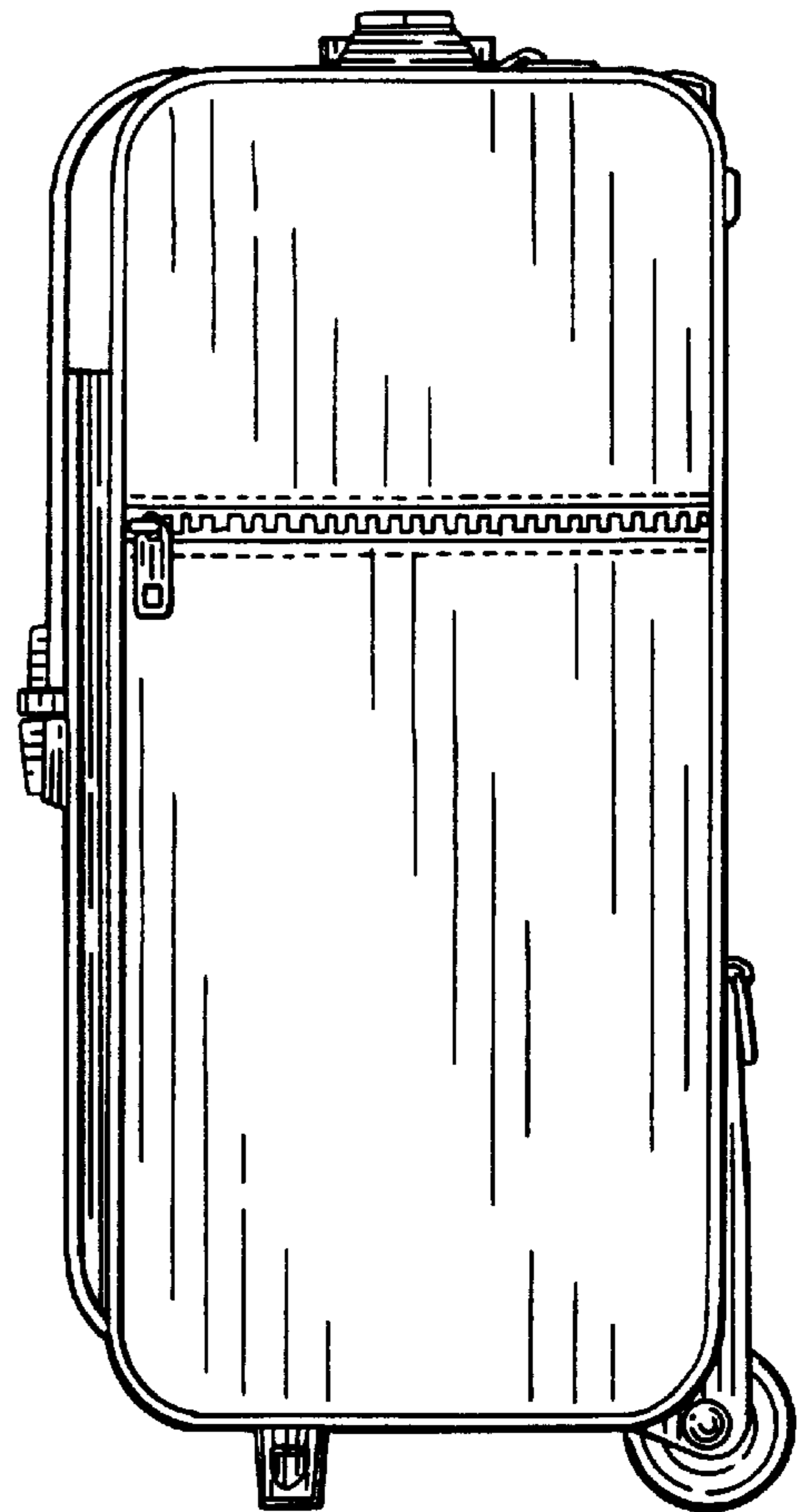


FIG. 4

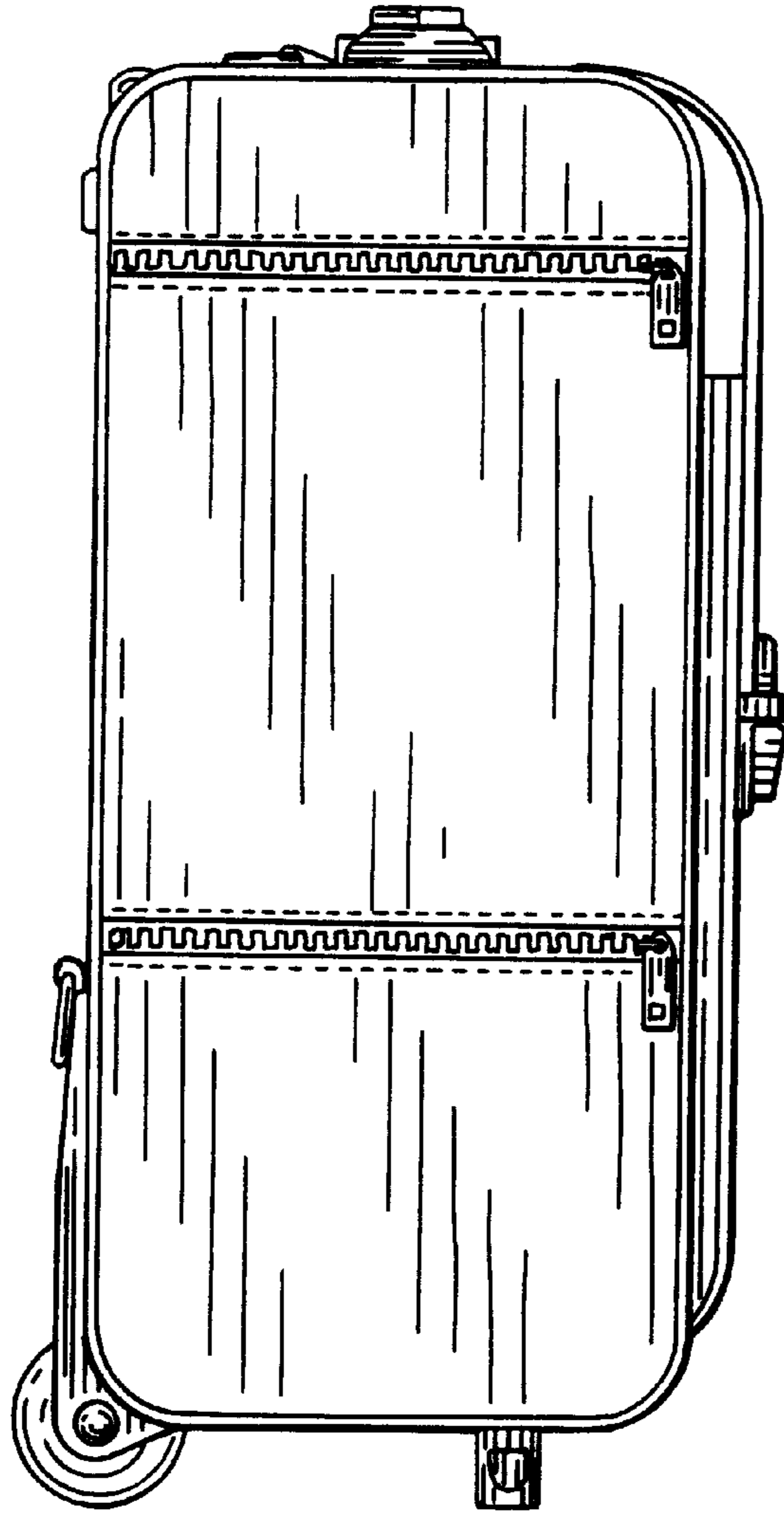


FIG. 5

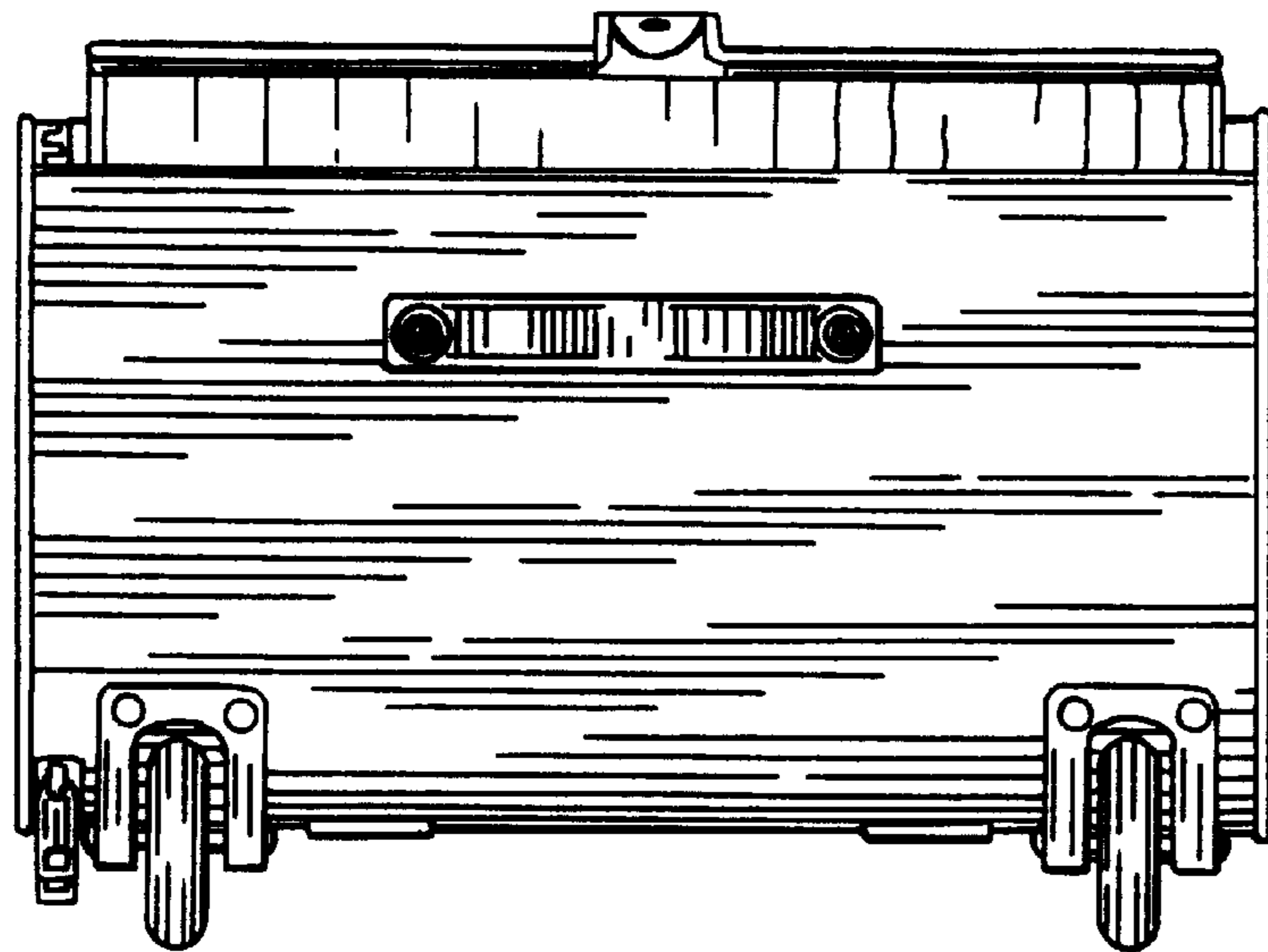


FIG. 6

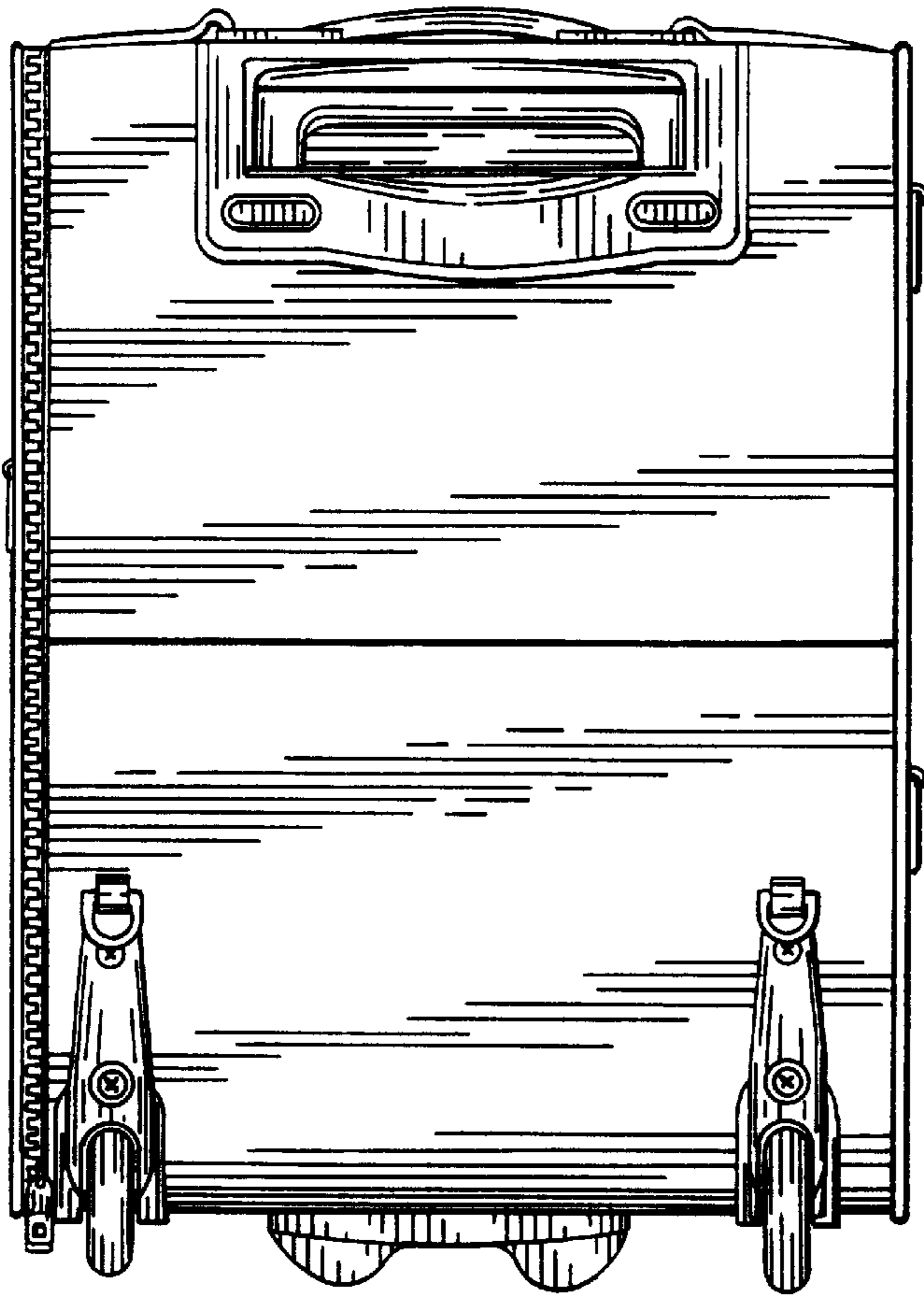


FIG. 7

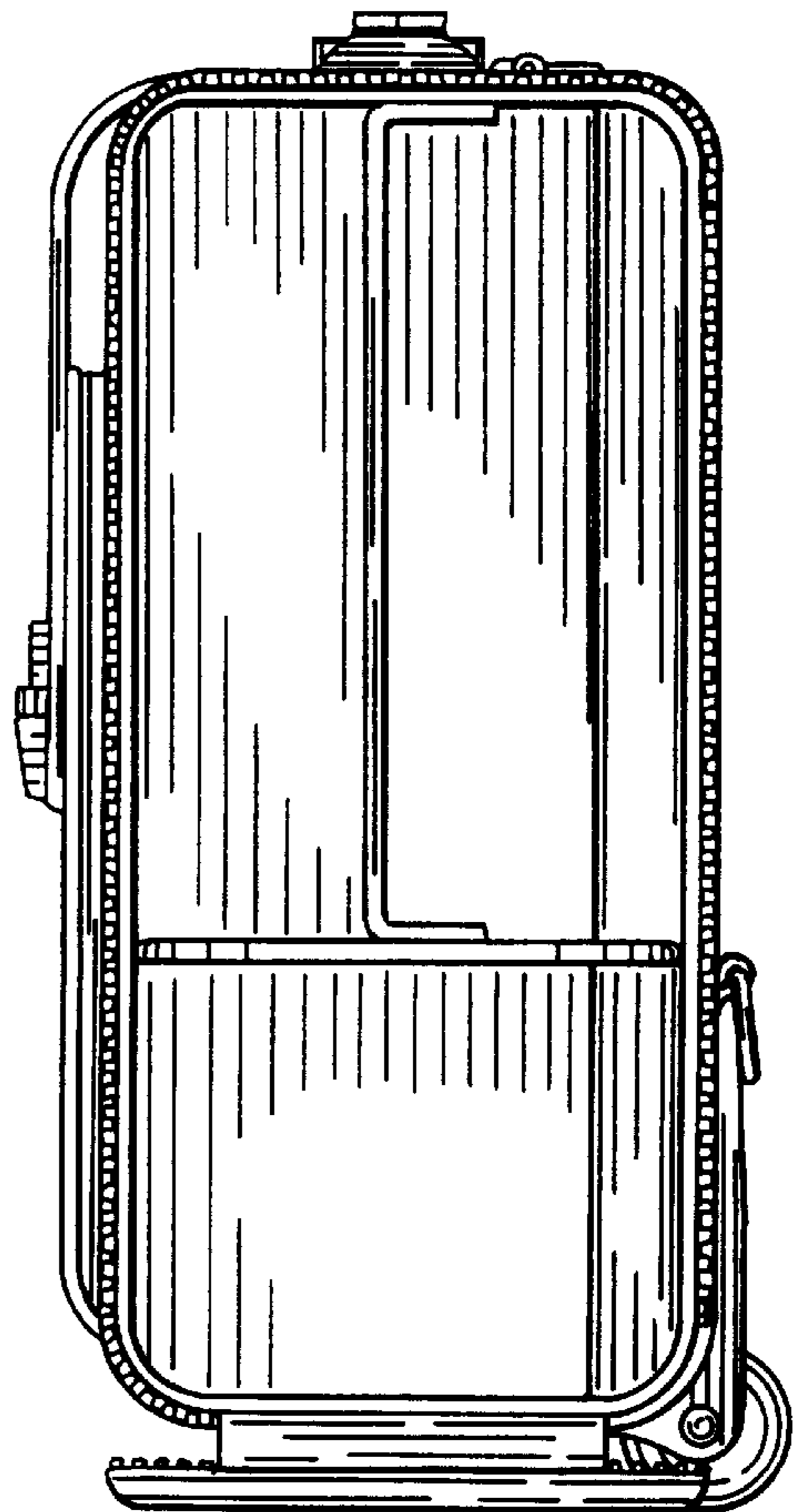


FIG. 8

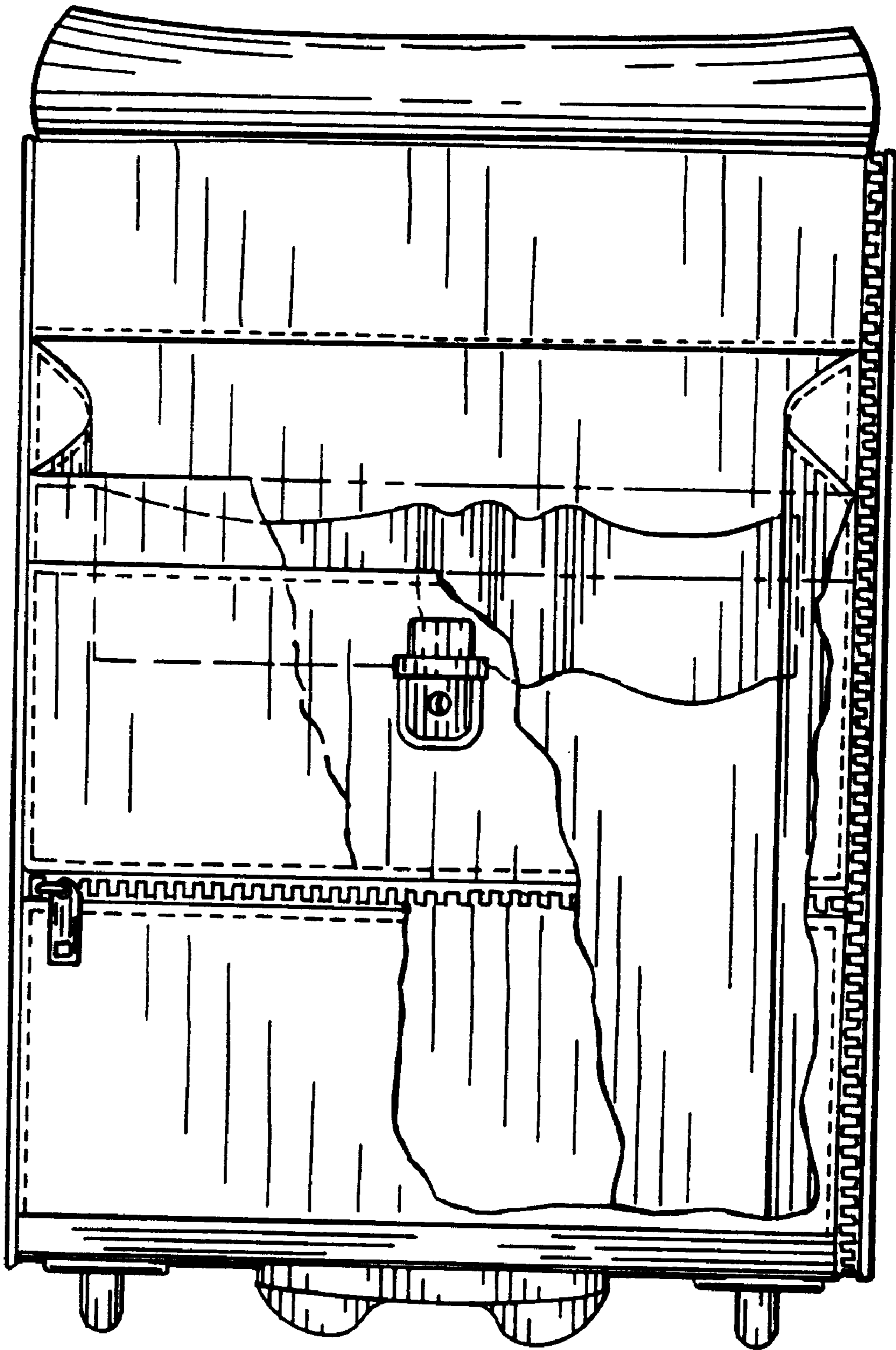


FIG. 9

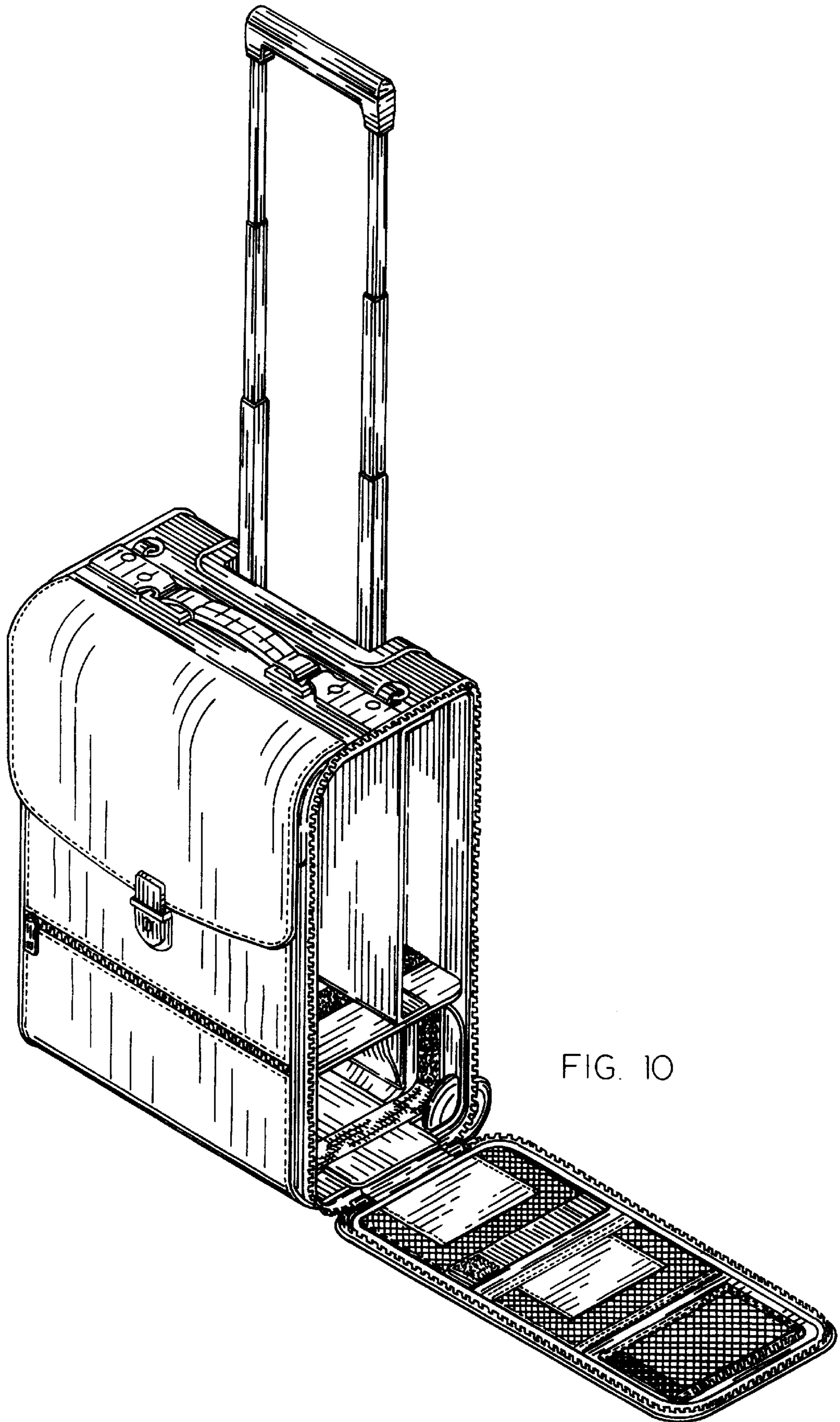


FIG. 10