



US00D419298S

United States Patent [19]
Bramsiepe et al.

[11] **Patent Number: Des. 419,298**
[45] **Date of Patent: ** Jan. 25, 2000**

[54] **BOX FOR BITS**
[75] Inventors: **Holger Bramsiepe; Mathias Ocklenburg**, both of Wuppertal, Germany
[73] Assignee: **Robert Schroder GmbH & Co.**, Wuppertal, Germany
[**] Term: **14 Years**

D. 370,781	6/1996	Vasudeva	D3/284
D. 388,609	1/1998	Chan	D3/273
D. 400,775	11/1998	Hsu	D3/294
4,934,223	6/1990	Wong	81/490
5,499,562	3/1996	Feng	81/177.4
5,517,885	5/1996	Feng	81/177.4
5,535,882	7/1996	Liu	206/377
5,704,260	1/1998	Huang	81/177.4
5,896,606	4/1999	Huang	81/177.4

[21] Appl. No.: **29/101,160**
[22] Filed: **Feb. 25, 1999**
[30] **Foreign Application Priority Data**

Aug. 28, 1998 [DE] Germany 4 98 08 722

[51] **LOC (7) Cl.** **03-01**
[52] **U.S. Cl.** **D3/273; D3/905; D3/274; D8/85**
[58] **Field of Search** D3/272, 273, 294, D3/905, 274; D9/420, 423; D8/82, 83, 84, 85; 206/349, 372, 373, 378, 379; 81/177.4, 490, 437, 438, 439

[56] **References Cited**
U.S. PATENT DOCUMENTS
D. 334,534 4/1993 Friz et al. D3/905

Primary Examiner—Philip S. Hyder
Attorney, Agent, or Firm—Pandiscio & Pandiscio

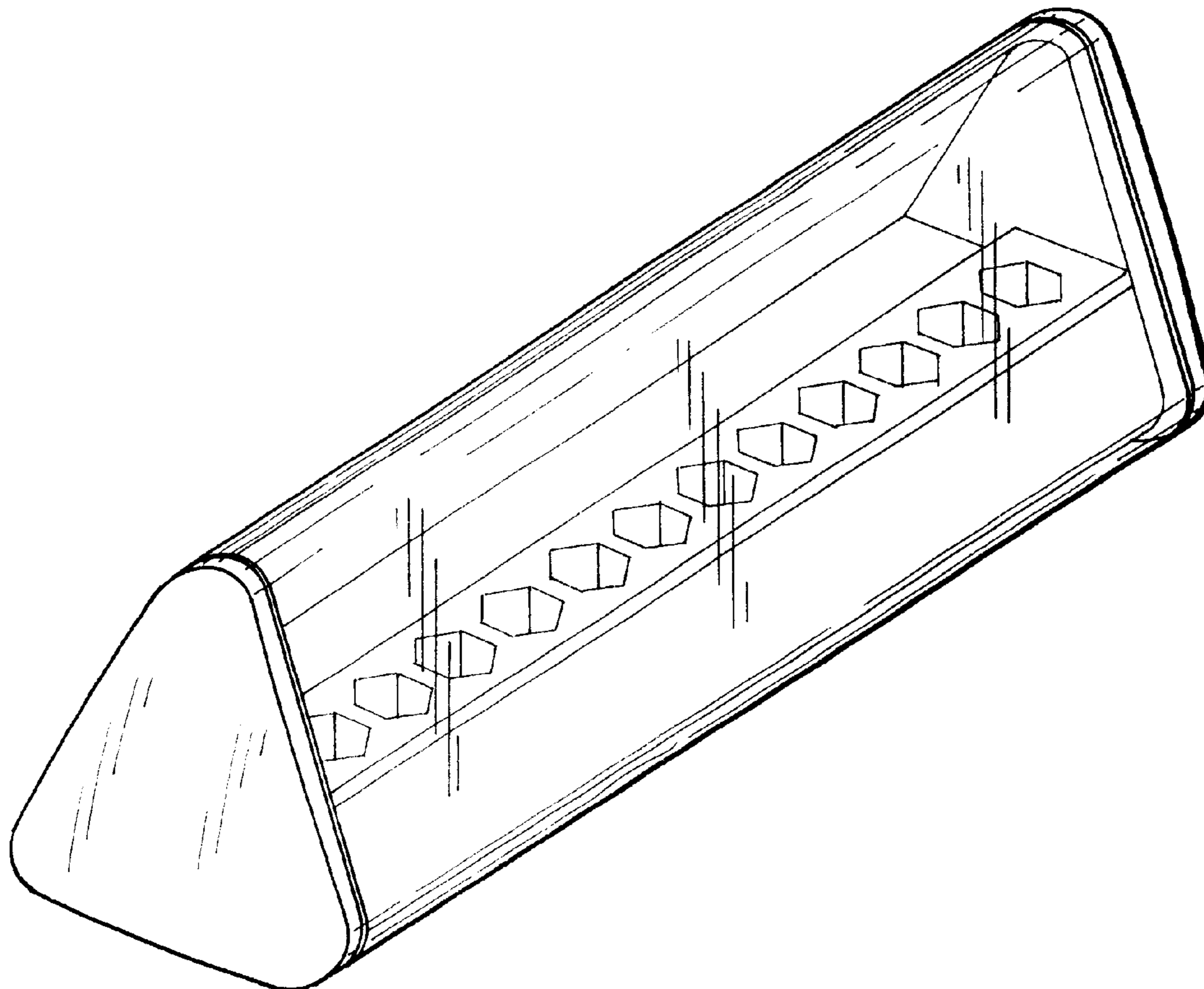
[57] **CLAIM**

We claim the ornamental design for a box for bits, as shown.

DESCRIPTION

FIG. 1 is a perspective view of a box for bits showing our new design;
FIG. 2 is a right side elevational view thereof;
FIG. 3 is a left side elevational view thereof;
FIG. 4 is a top plan view thereof;
FIG. 5 is a bottom view thereof;
FIG. 6 is a front elevational view thereof; and,
FIG. 7 is a rear elevational view thereof.

1 Claim, 2 Drawing Sheets



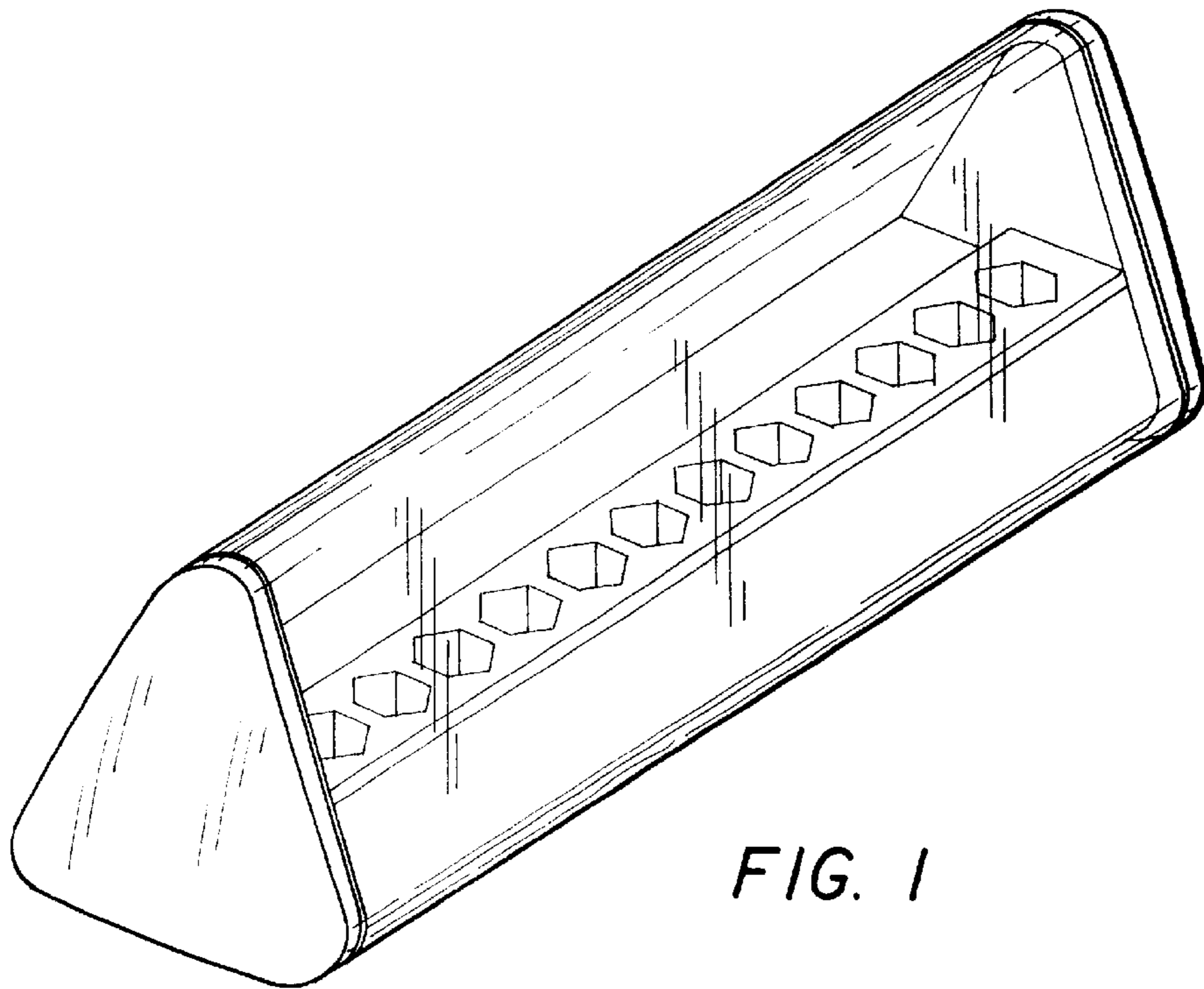


FIG. 1

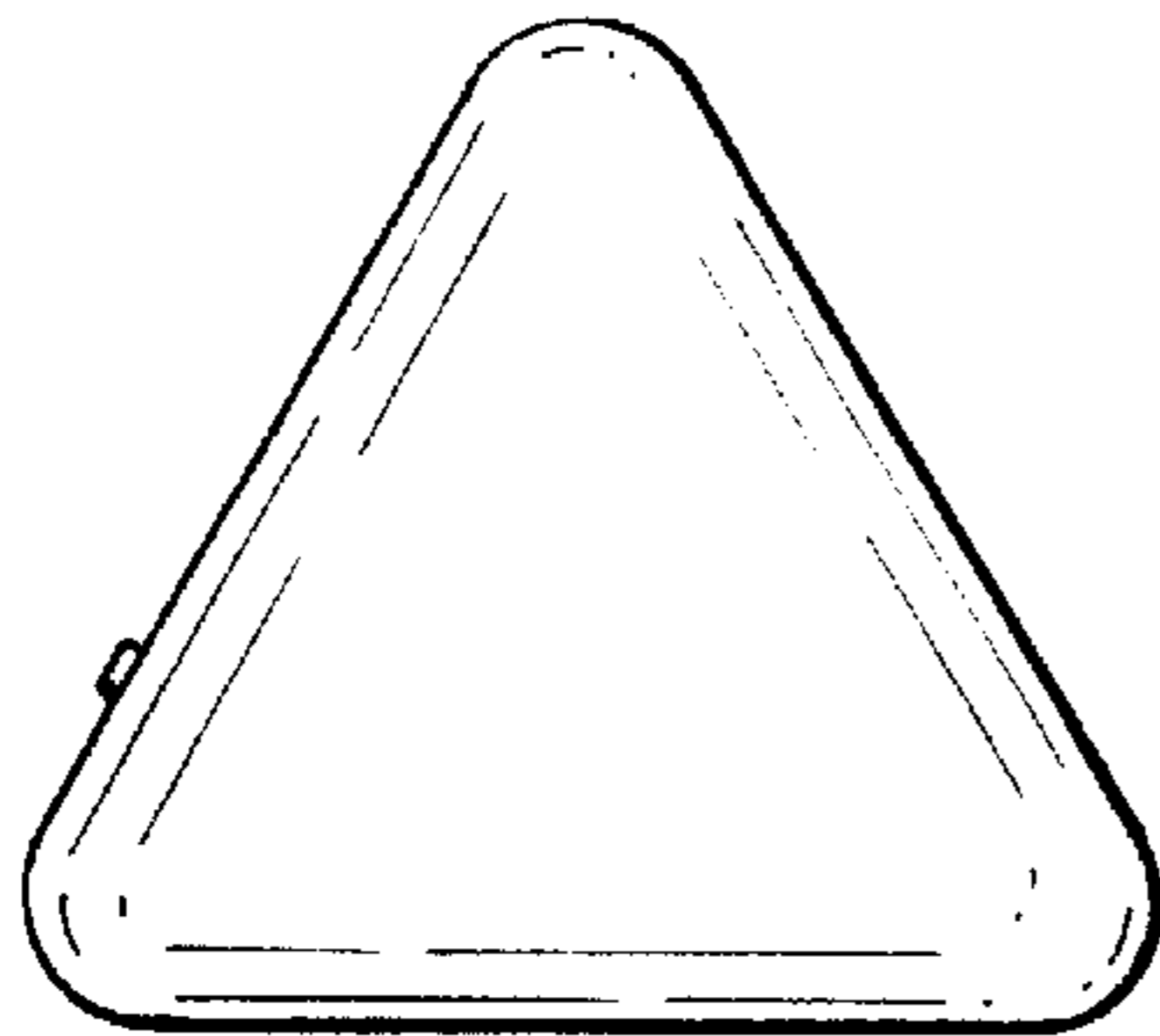


FIG. 2

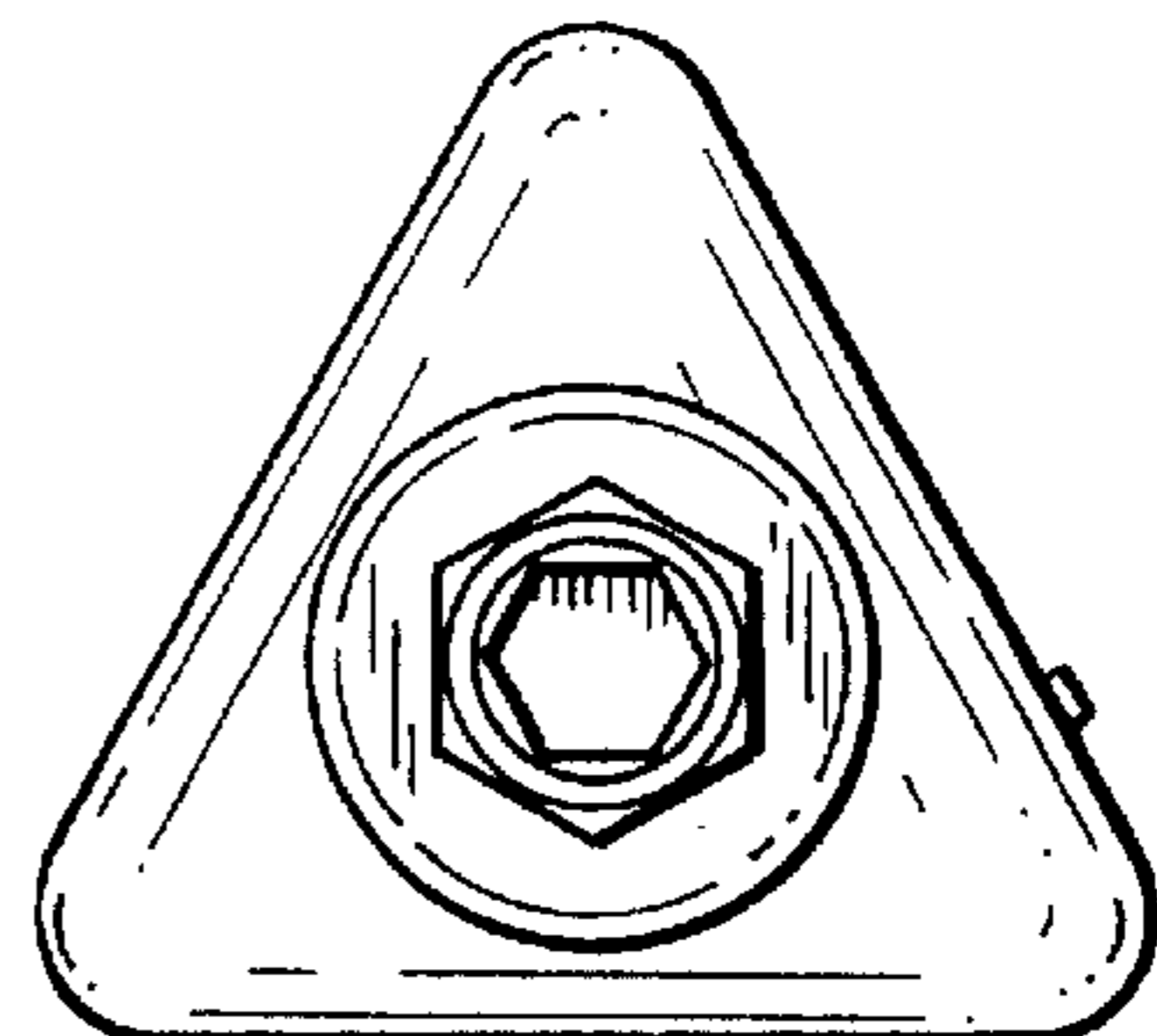


FIG. 3

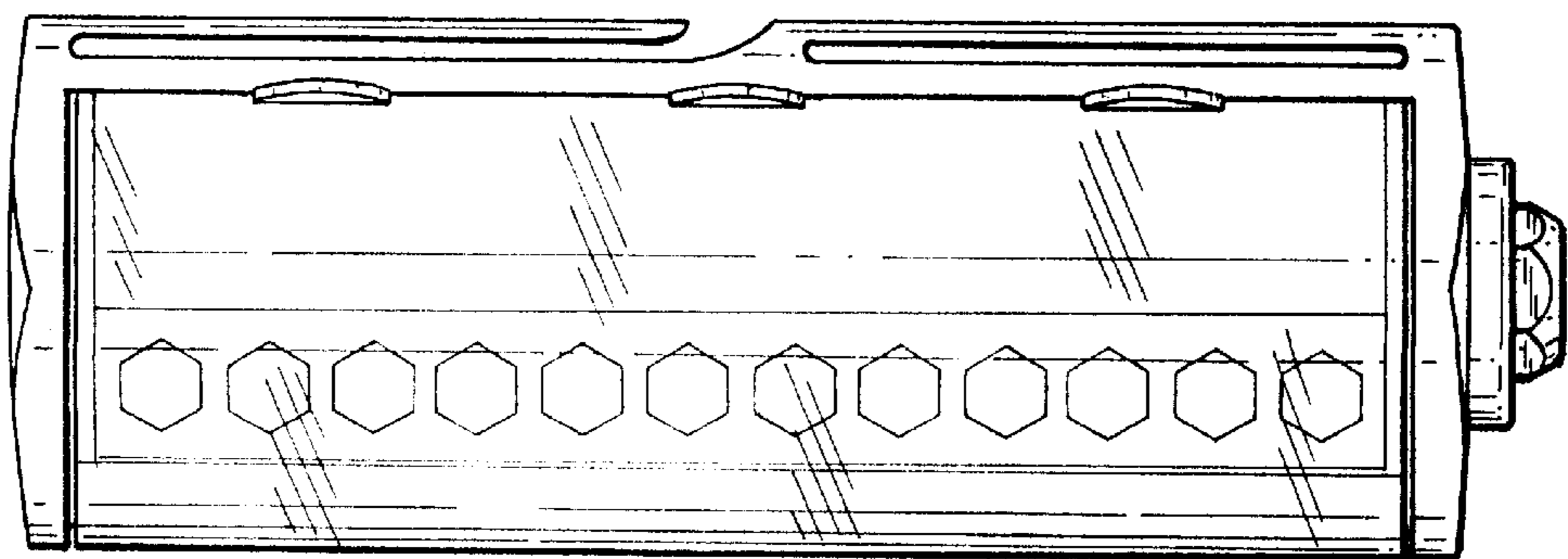


FIG. 4

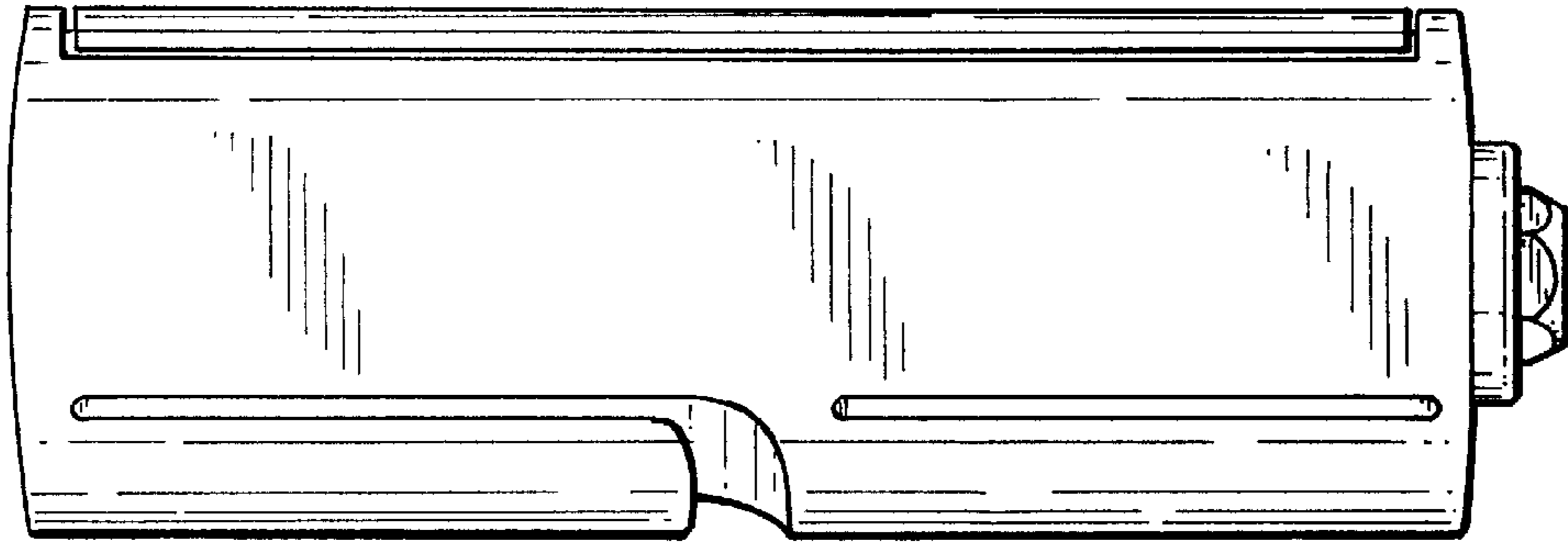


FIG. 5

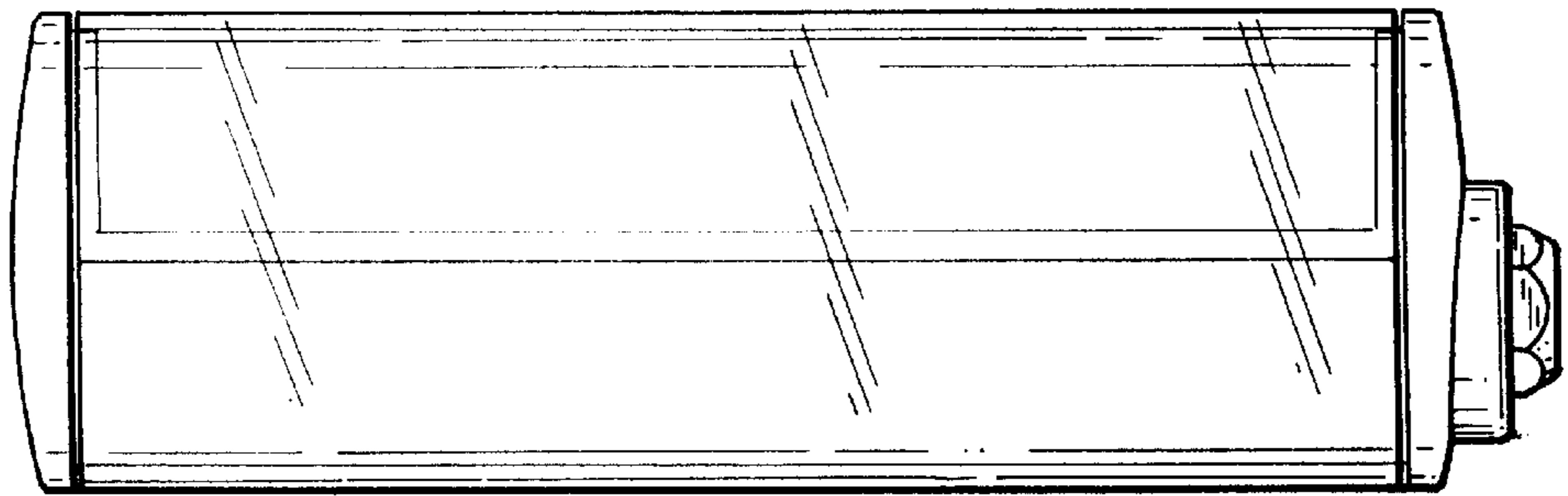


FIG. 6

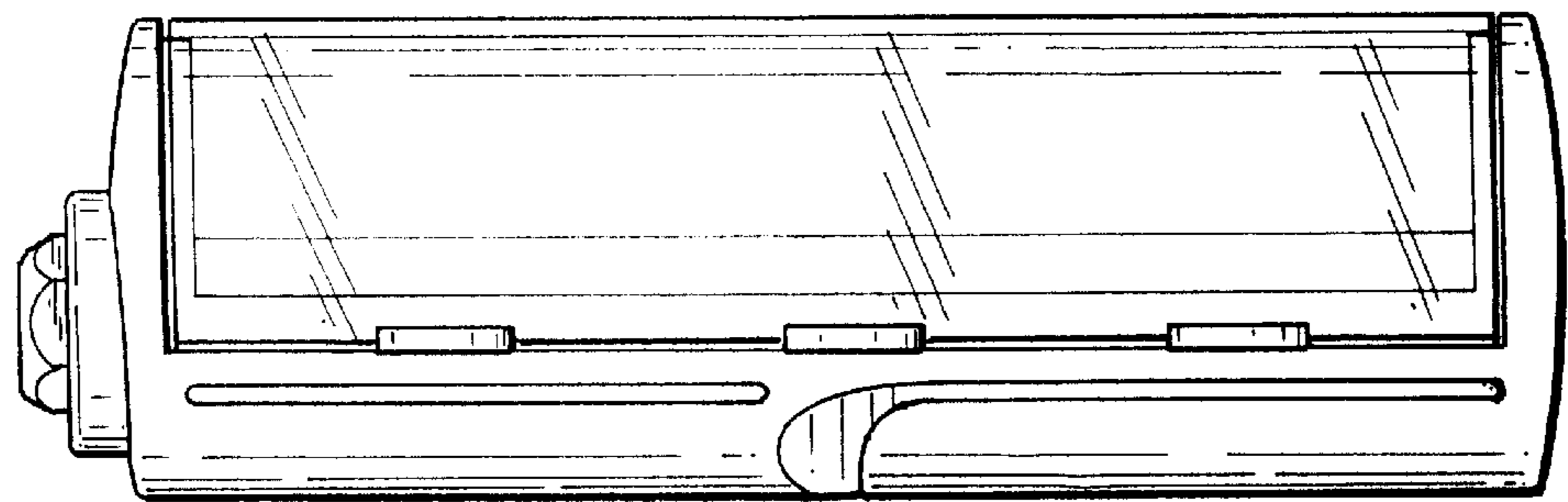


FIG. 7