



US00D419296S

# United States Patent [19] Shinano

[11] **Patent Number: Des. 419,296**  
[45] **Date of Patent: \*\* Jan. 25, 2000**

[54] **WATERPROOF CASE FOR ELECTRONIC CAMERA**

[75] Inventor: **Toru Shinano**, Yokohama, Japan

[73] Assignee: **Canon Kabushiki Kaisha**, Tokyo, Japan

[\*\*] Term: **14 Years**

[21] Appl. No.: **29/101,549**

[22] Filed: **Mar. 5, 1999**

[51] **LOC (7) Cl.** ..... **03-01**

[52] **U.S. Cl.** ..... **D3/267; D3/219; D3/263; D16/204**

[58] **Field of Search** ..... **D3/201, 219, 263, D3/267, 268; D16/200-211, 217-219; 206/316.1, 316.2; 224/908; 358/906, 909.1**

[56] **References Cited**

**U.S. PATENT DOCUMENTS**

D. 321,089	10/1991	Miyahara	.....	D3/268
D. 334,397	3/1993	Kohno et al.	.....	D3/219
D. 338,330	8/1993	Kohno et al.	.....	D3/267
D. 367,283	2/1996	Lyon et al.	.....	D16/208
D. 384,088	9/1997	Isozaki et al.	.....	D16/202

D. 392,659	3/1998	Takano	.....	D16/202
D. 392,988	3/1998	Ishikawa et al.	.....	D16/218
D. 400,225	10/1998	Reible et al.	.....	D16/204
D. 404,411	1/1999	Swayze et al.	.....	D16/202
D. 404,413	1/1999	Ida et al.	.....	D16/202
D. 407,098	3/1999	Goto et al.	.....	D16/202
D. 409,213	5/1999	Bae	.....	D16/202
D. 409,640	5/1999	Funato	.....	D16/202
D. 410,018	5/1999	Tashiro	.....	D16/202

*Primary Examiner*—Celia Murphy  
*Attorney, Agent, or Firm*—Fitzpatrick, Cella, Harper & Scinto

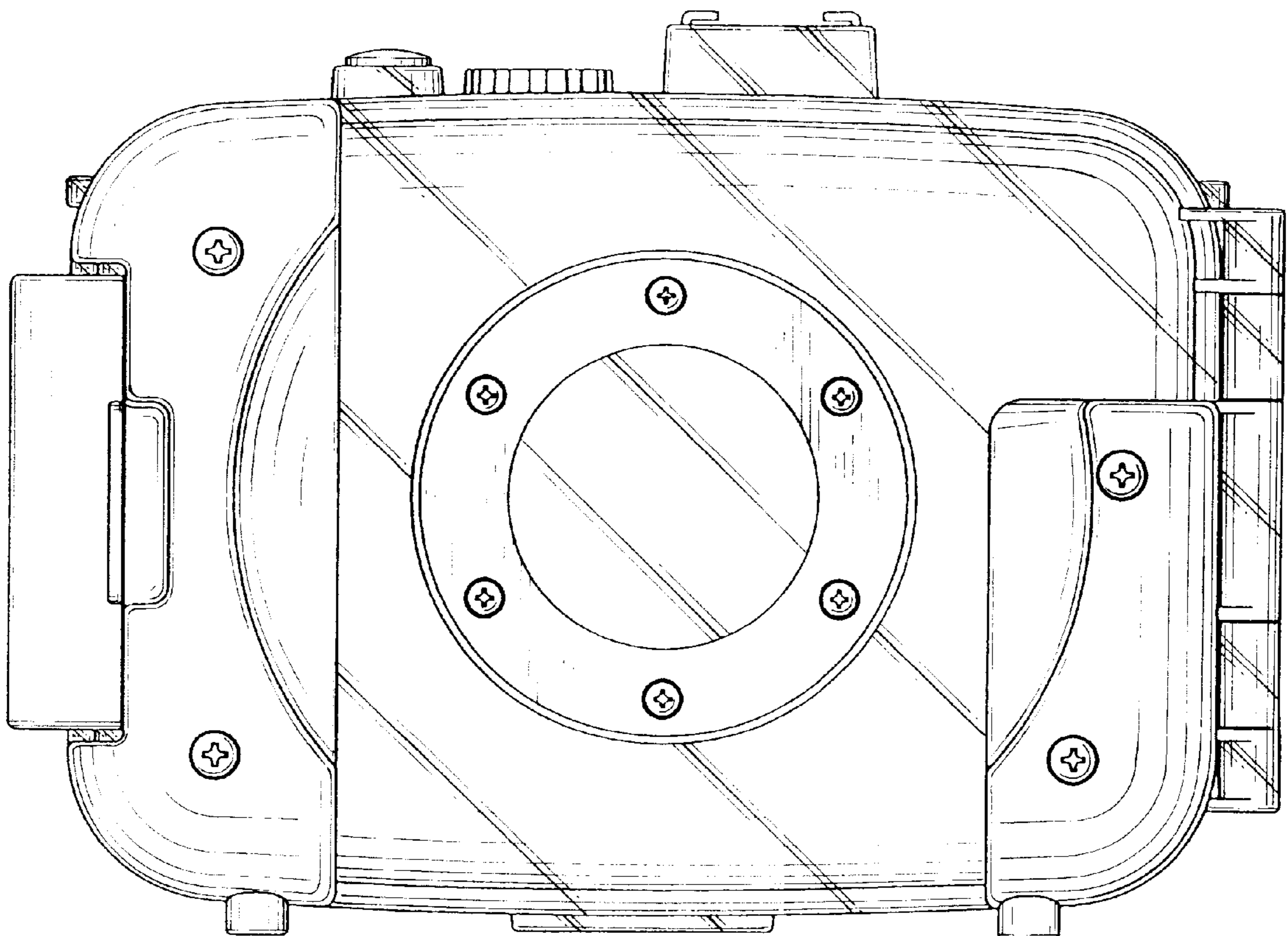
[57] **CLAIM**

The ornamental design for a waterproof case for electronic camera, as shown and described.

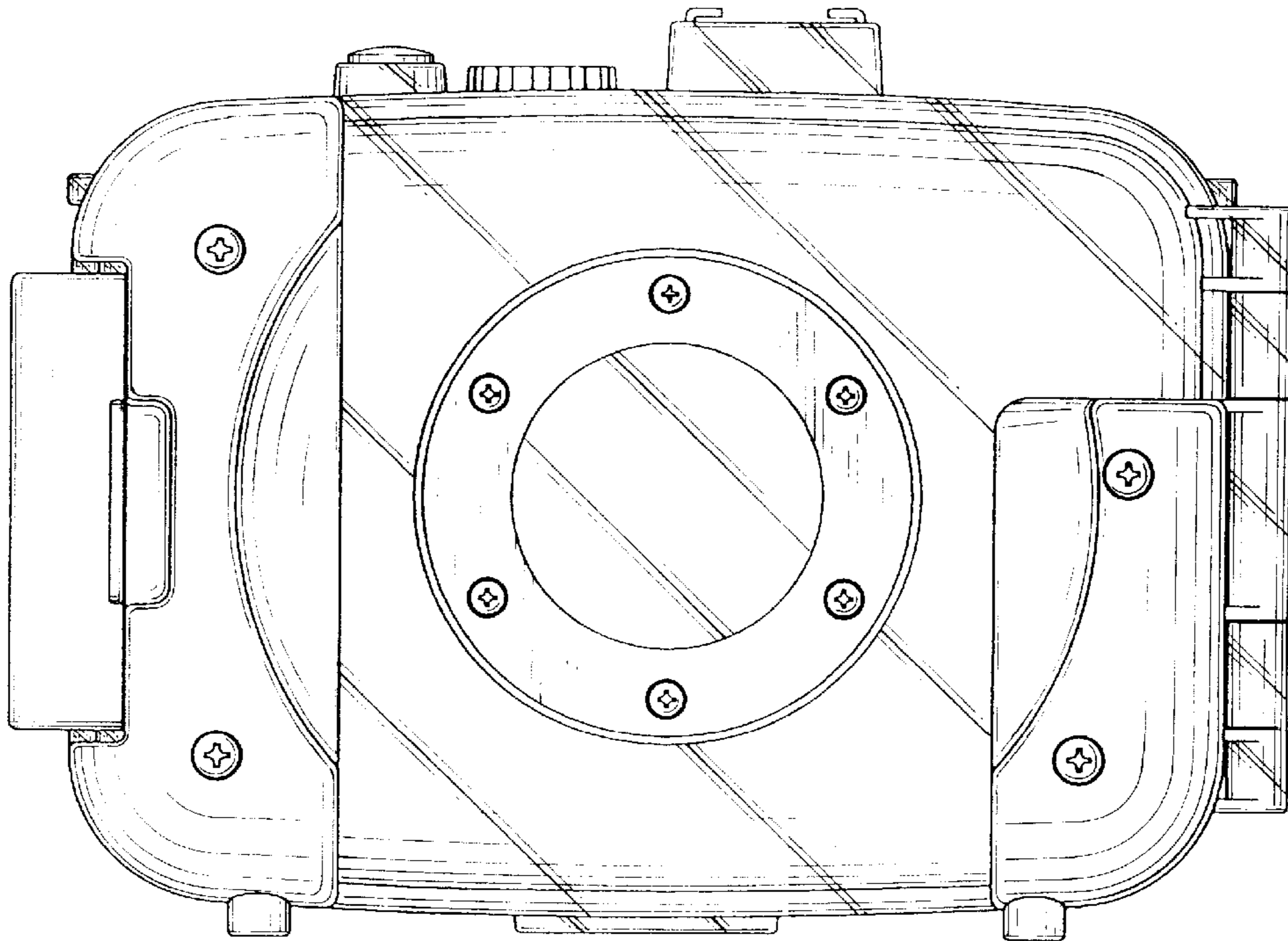
**DESCRIPTION**

FIG. 1 is a front view of a waterproof case for electronic camera showing my new design;  
FIG. 2 is a rear view thereof;  
FIG. 3 is a top plan view thereof;  
FIG. 4 is a bottom plan view thereof;  
FIG. 5 is a left side view thereof;  
FIG. 6 is a right side view thereof; and,  
FIG. 7 is a perspective view thereof.

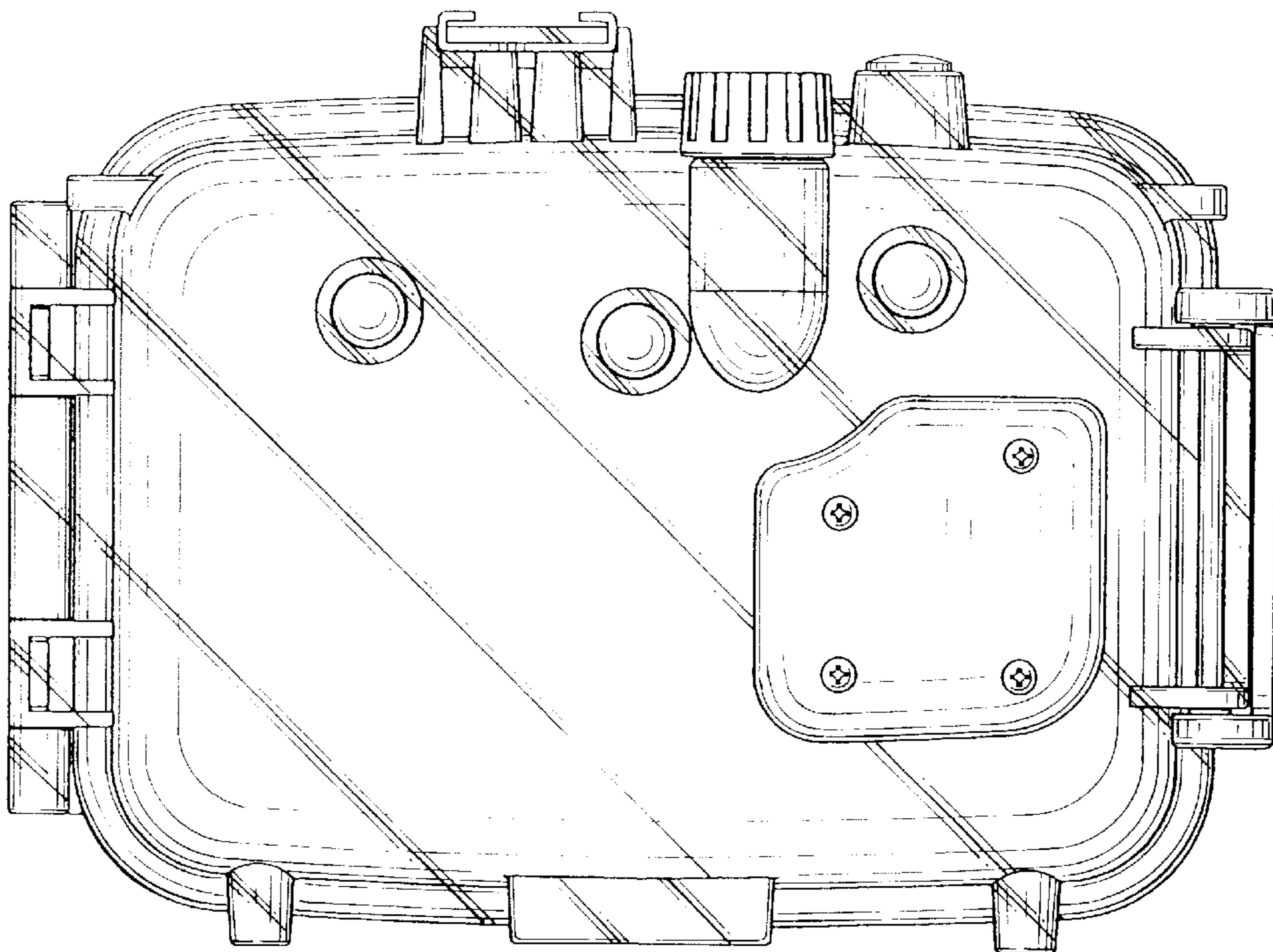
**1 Claim, 4 Drawing Sheets**



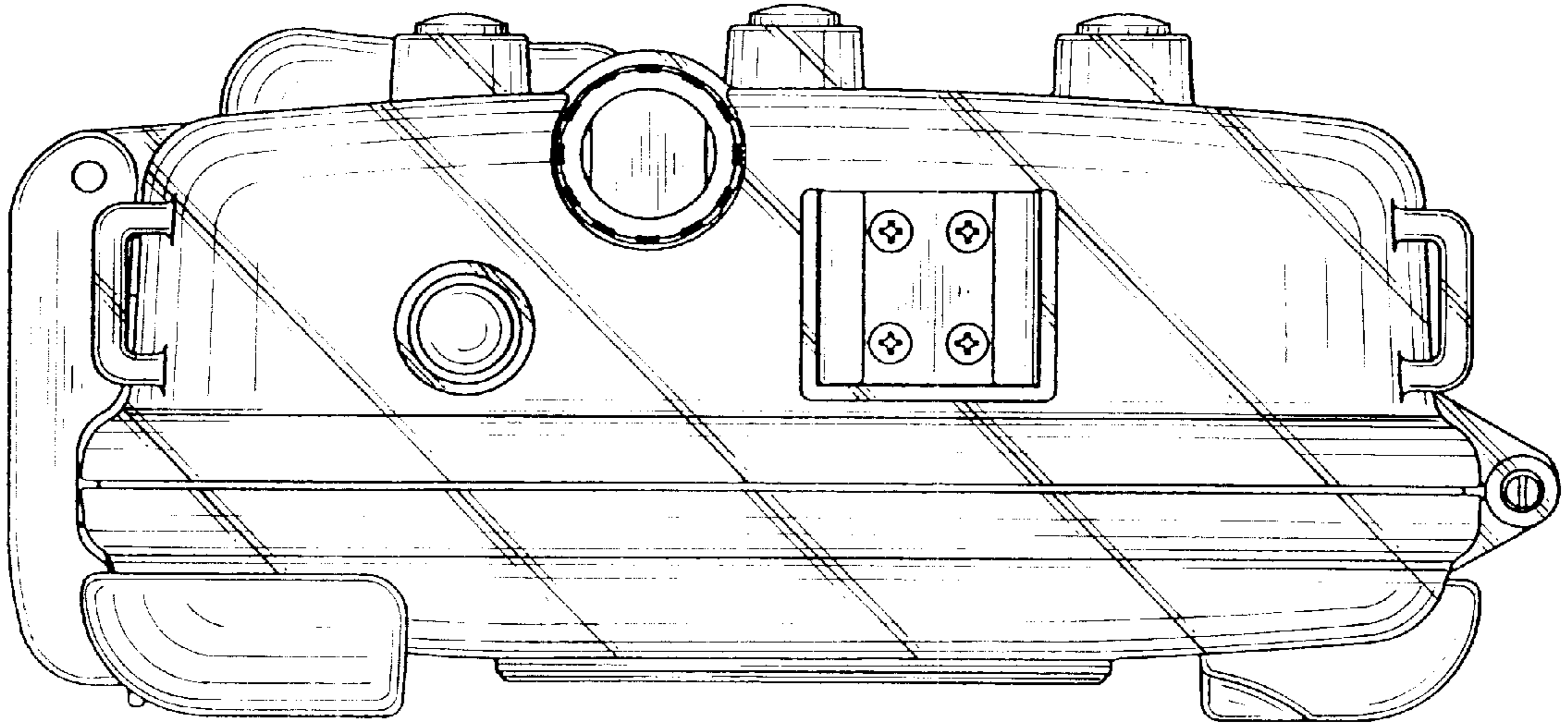
*FIG. 1*



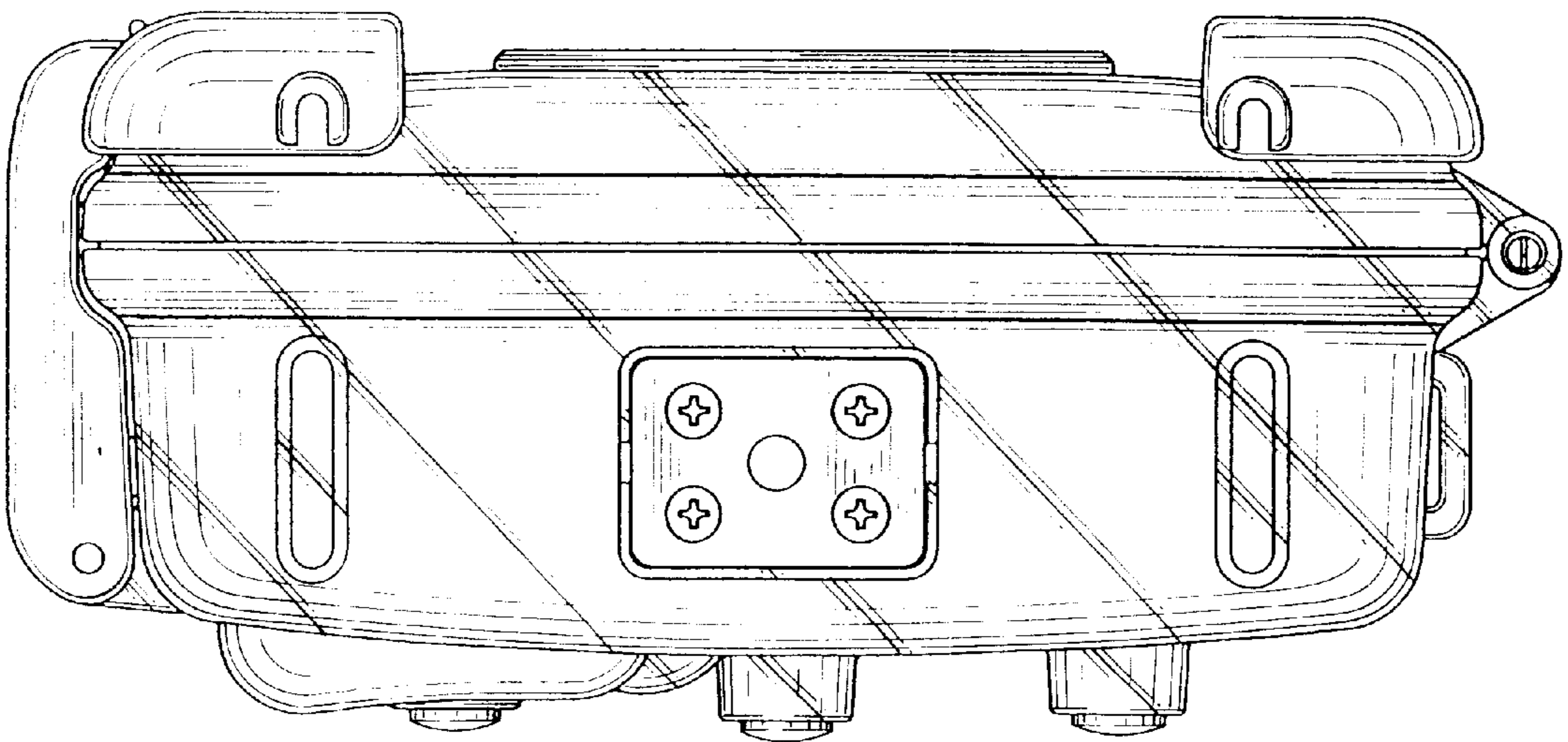
*FIG. 2*



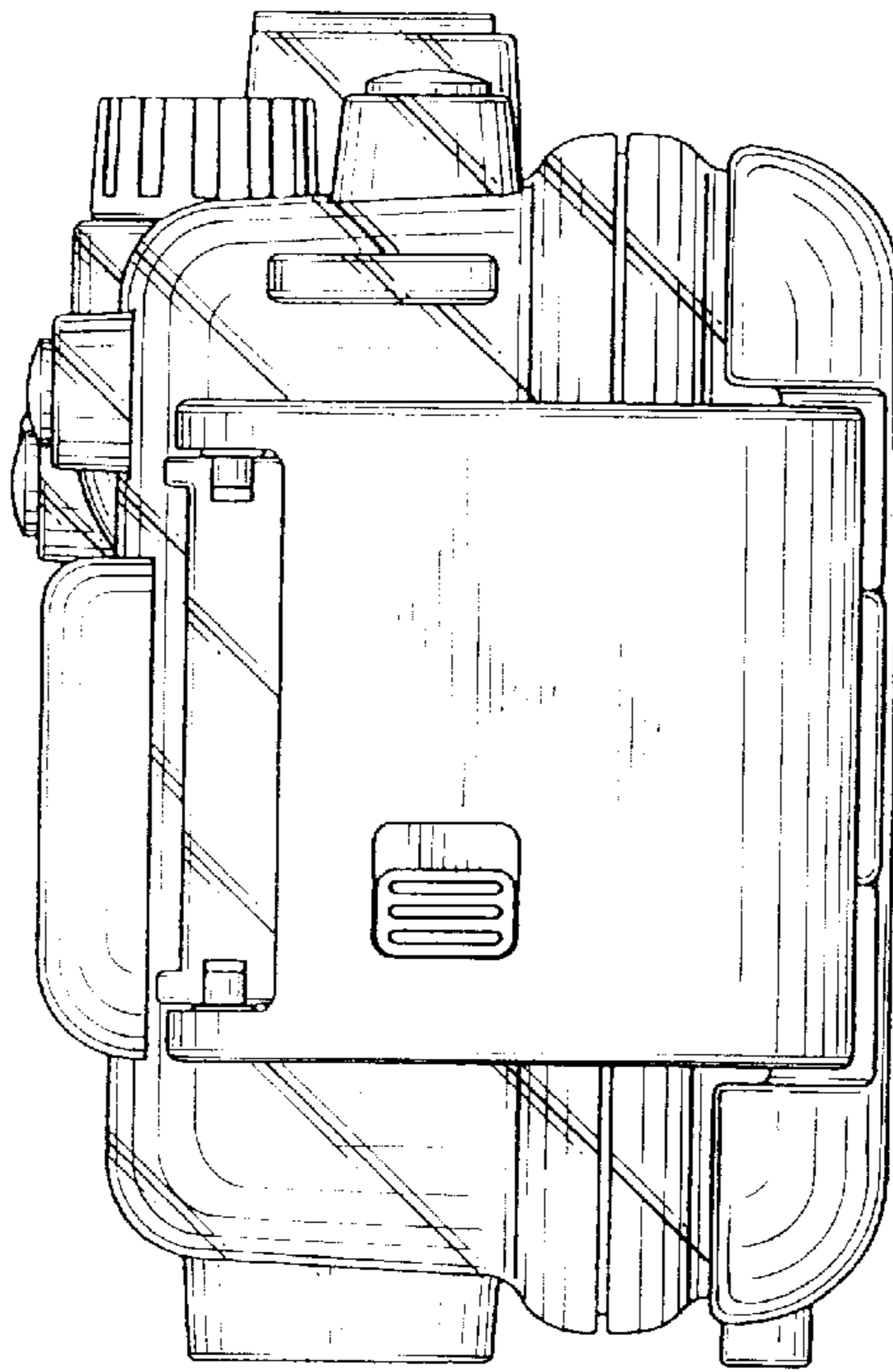
*FIG. 3*



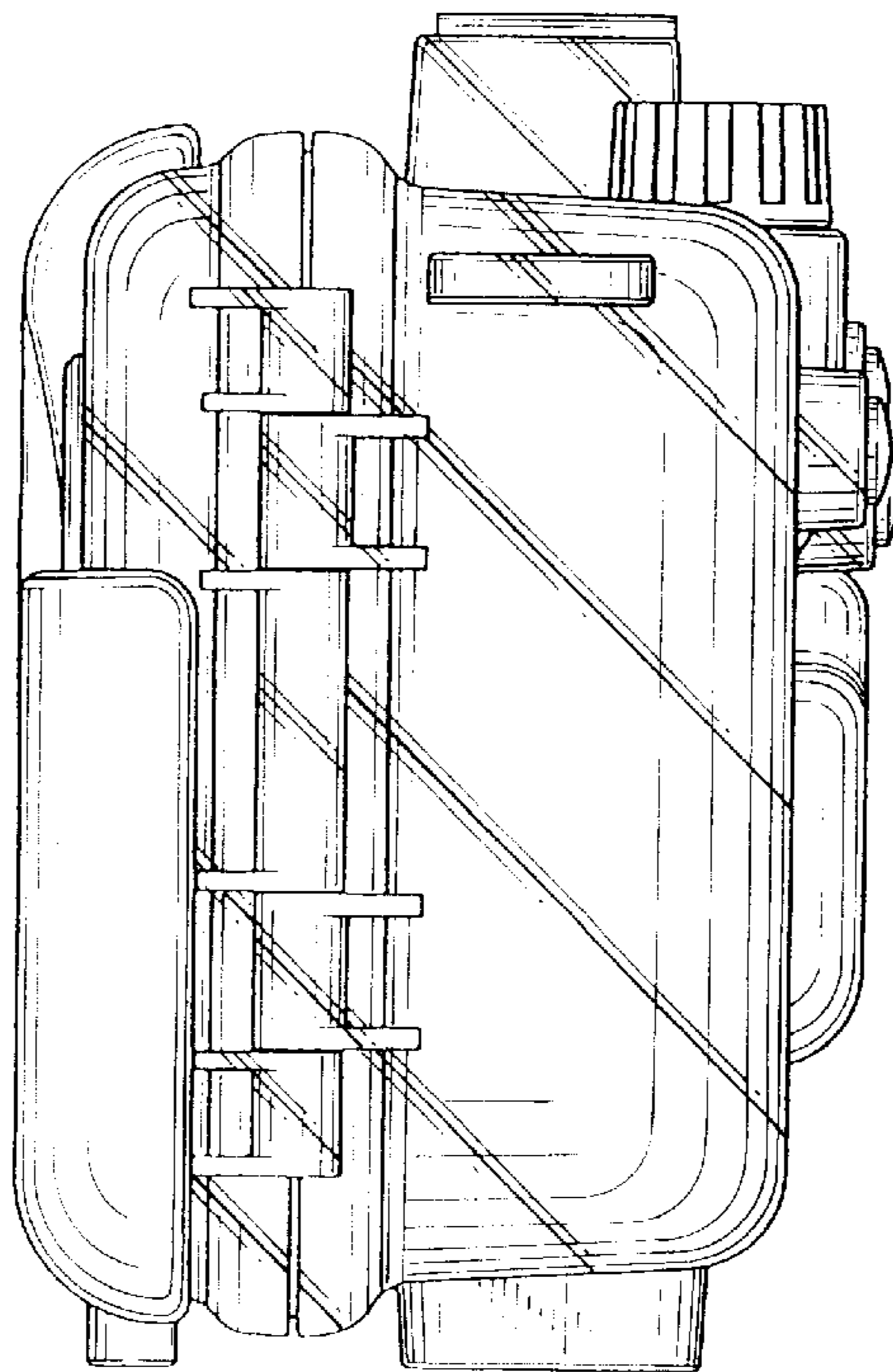
*FIG. 4*



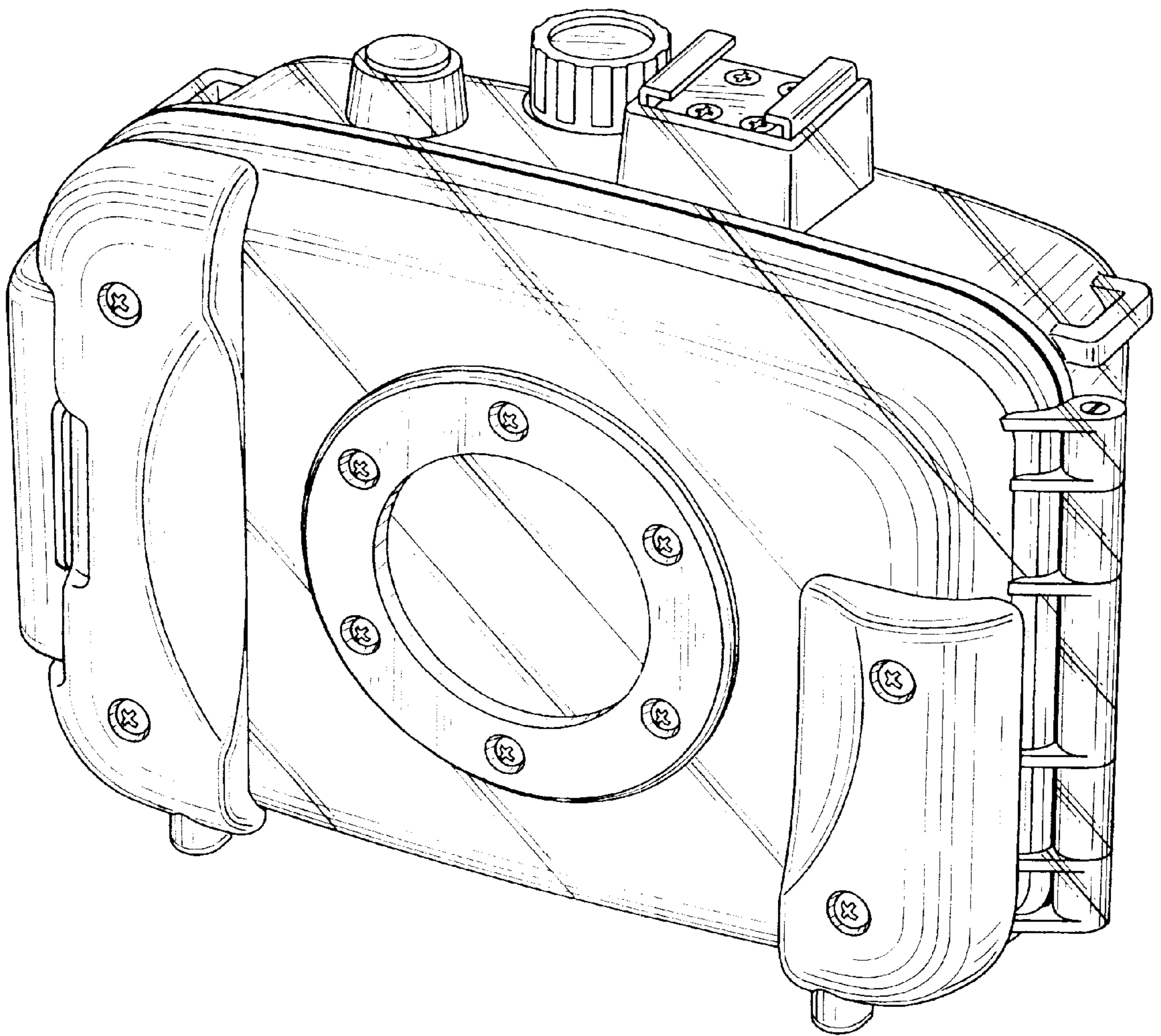
*FIG. 5*



*FIG. 6*



*FIG. 7*



UNITED STATES PATENT AND TRADEMARK OFFICE  
**CERTIFICATE OF CORRECTION**

Page 1 of 5

PATENT NO. : DES. 419,296  
DATED : January 25, 2000  
INVENTOR(S) : TORU SHINANO

It is certified that error appears in the above-identified patent and that said Letters Patent is hereby corrected as shown below:

On the title page, item:

[30] FOREIGN APPLICATION PRIORITY DATA

Insert: -- [30] Foreign Application Priority Data  
September 10, 1998 [JP] Japan...10-0256 --.

FIGURES 1 THROUGH 7

Replace Attached Figures 1 through 7 with those printed on Sheets 1 through 4, which are light in appearance.

Signed and Sealed this  
Twenty-third Day of January, 2001

Attest:



Q. TODD DICKINSON

Attesting Officer

Commissioner of Patents and Trademarks

FIG. 1

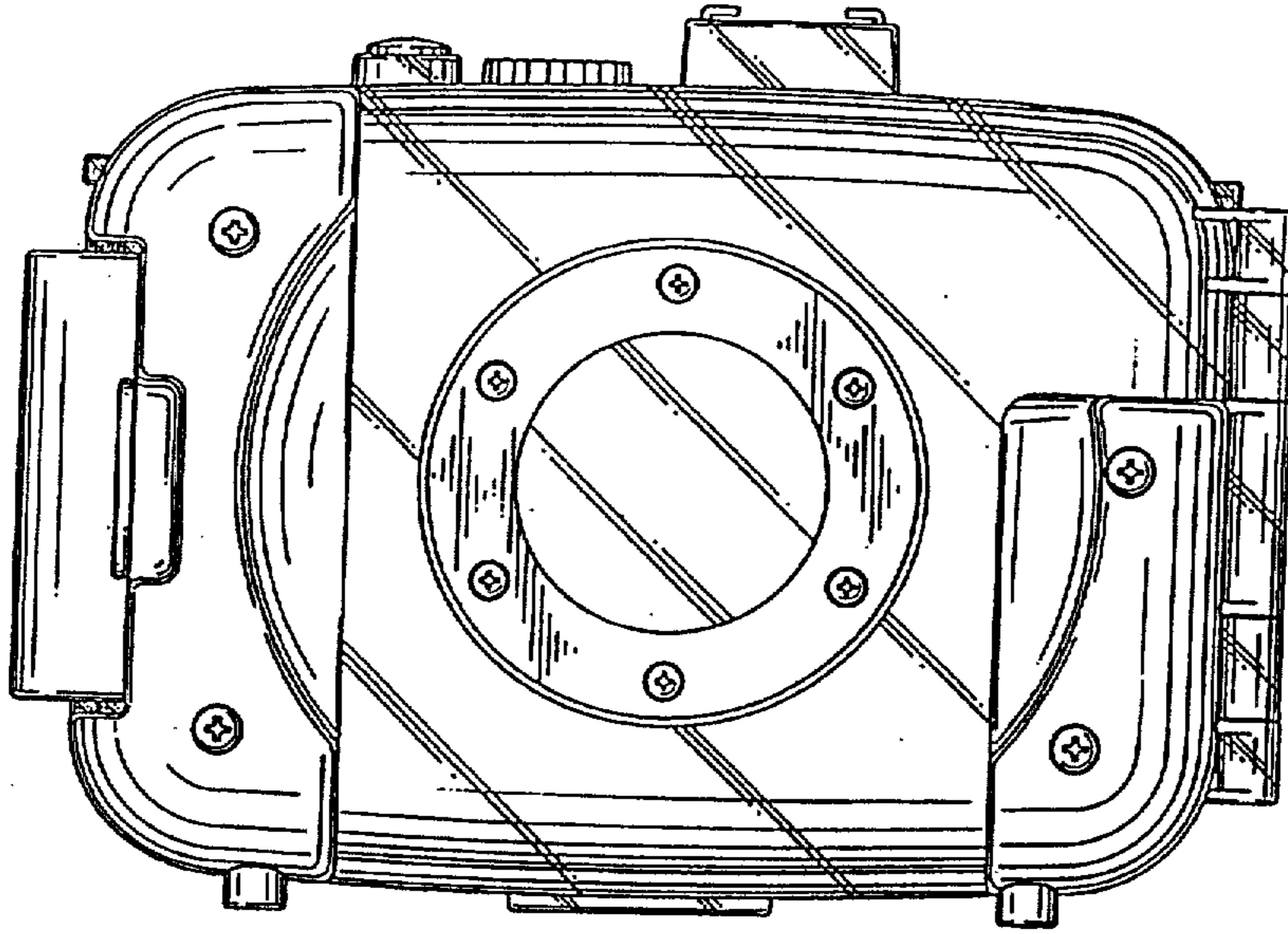


FIG. 2

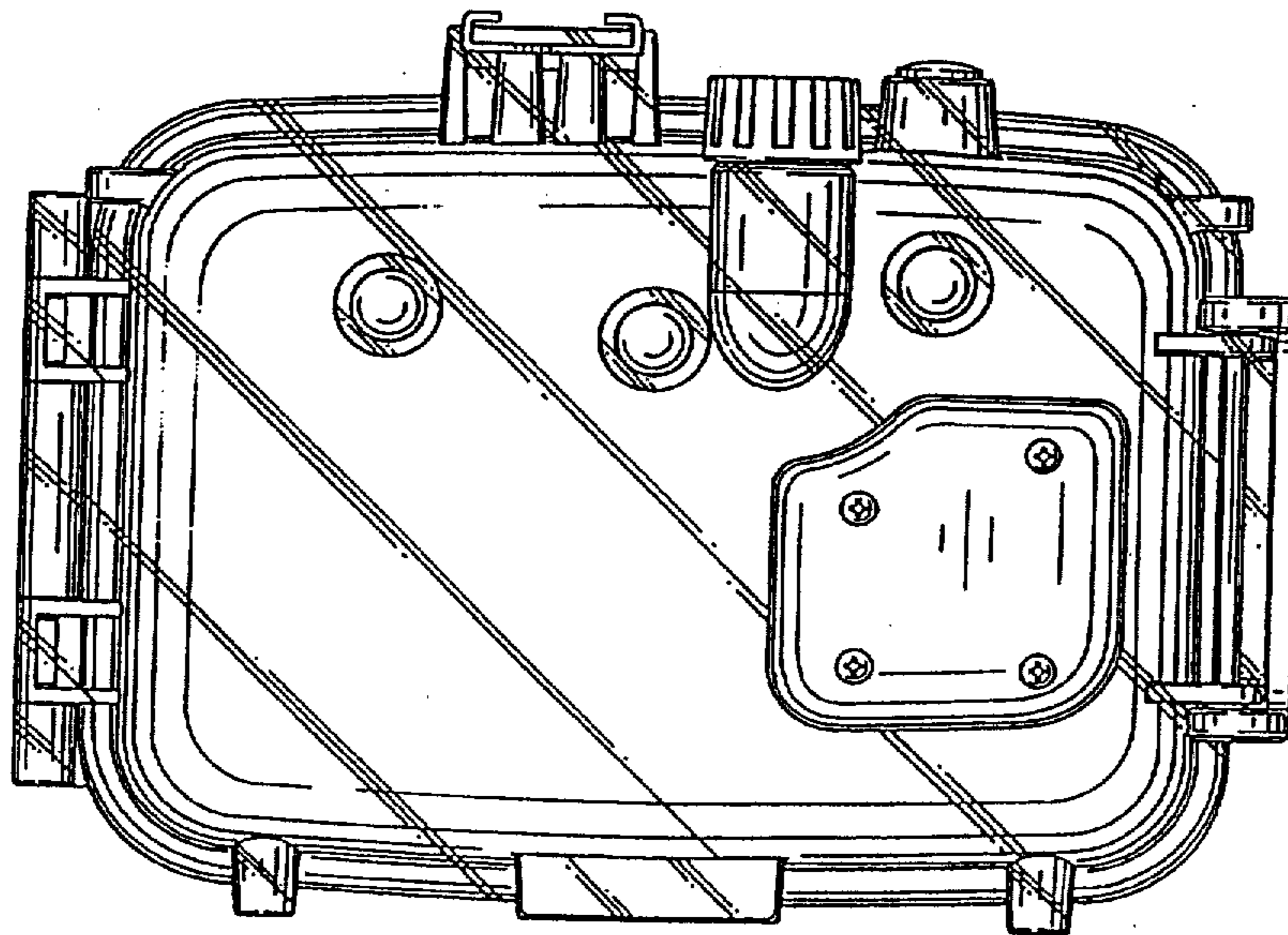


FIG. 3

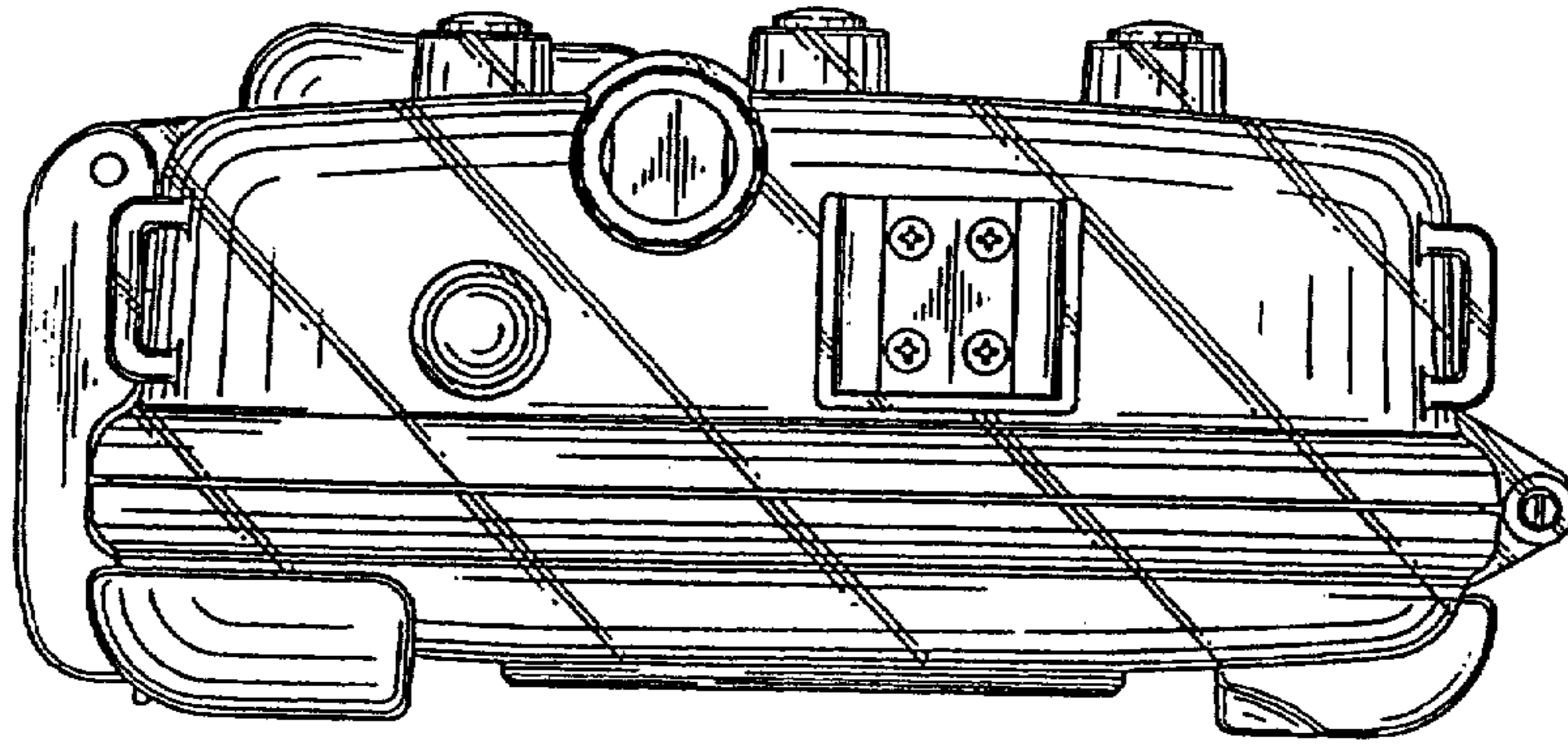
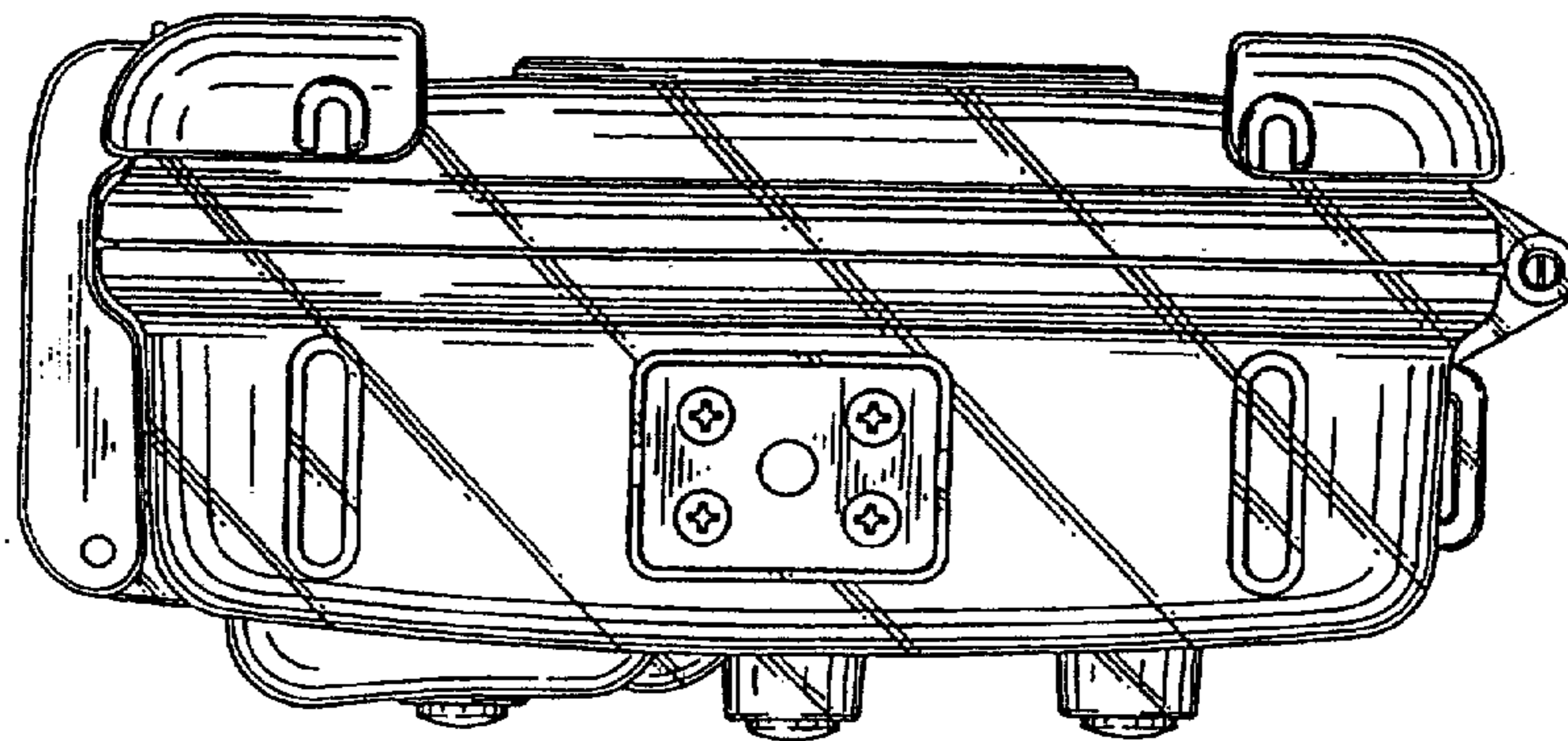
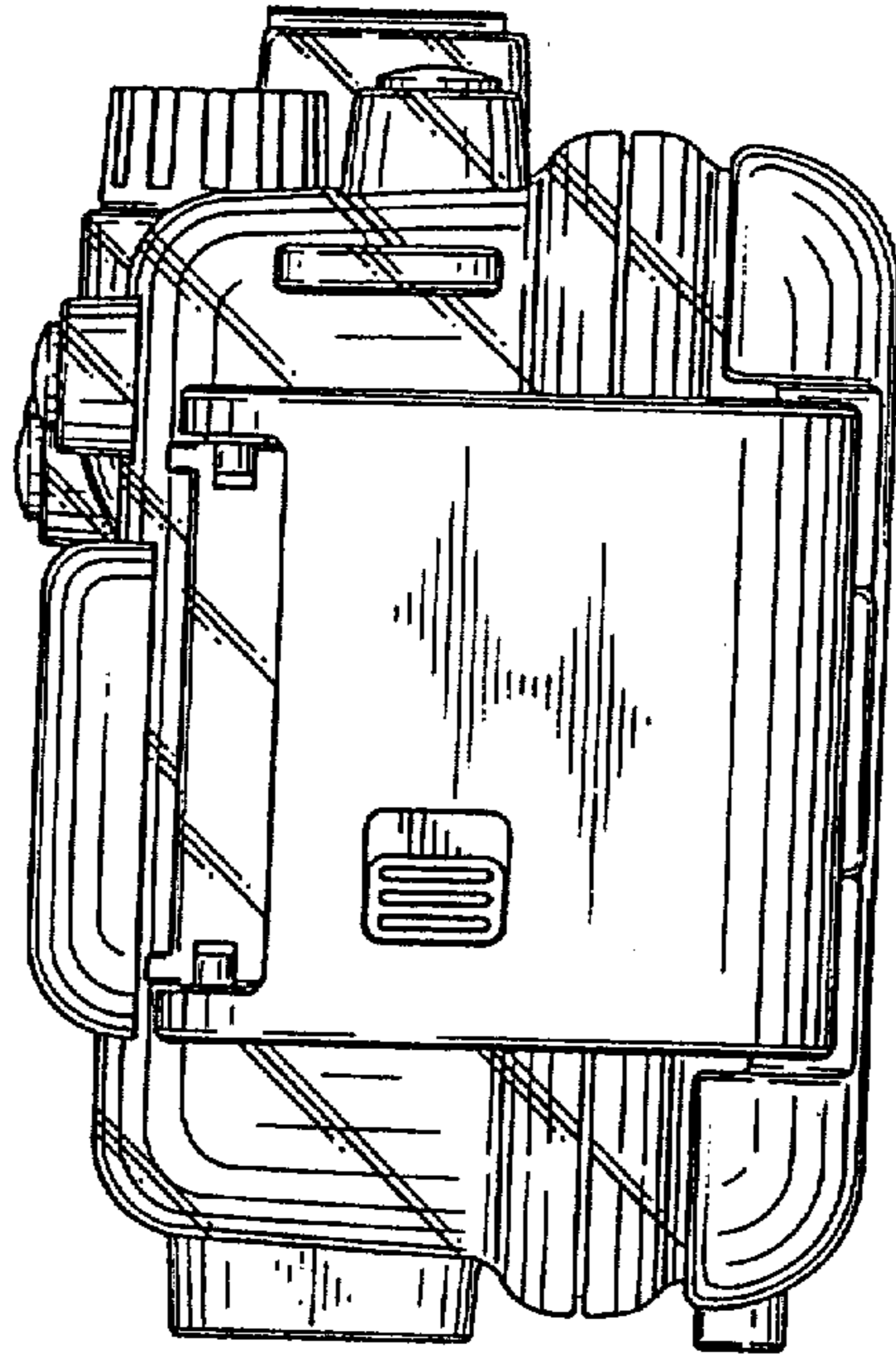


FIG. 4

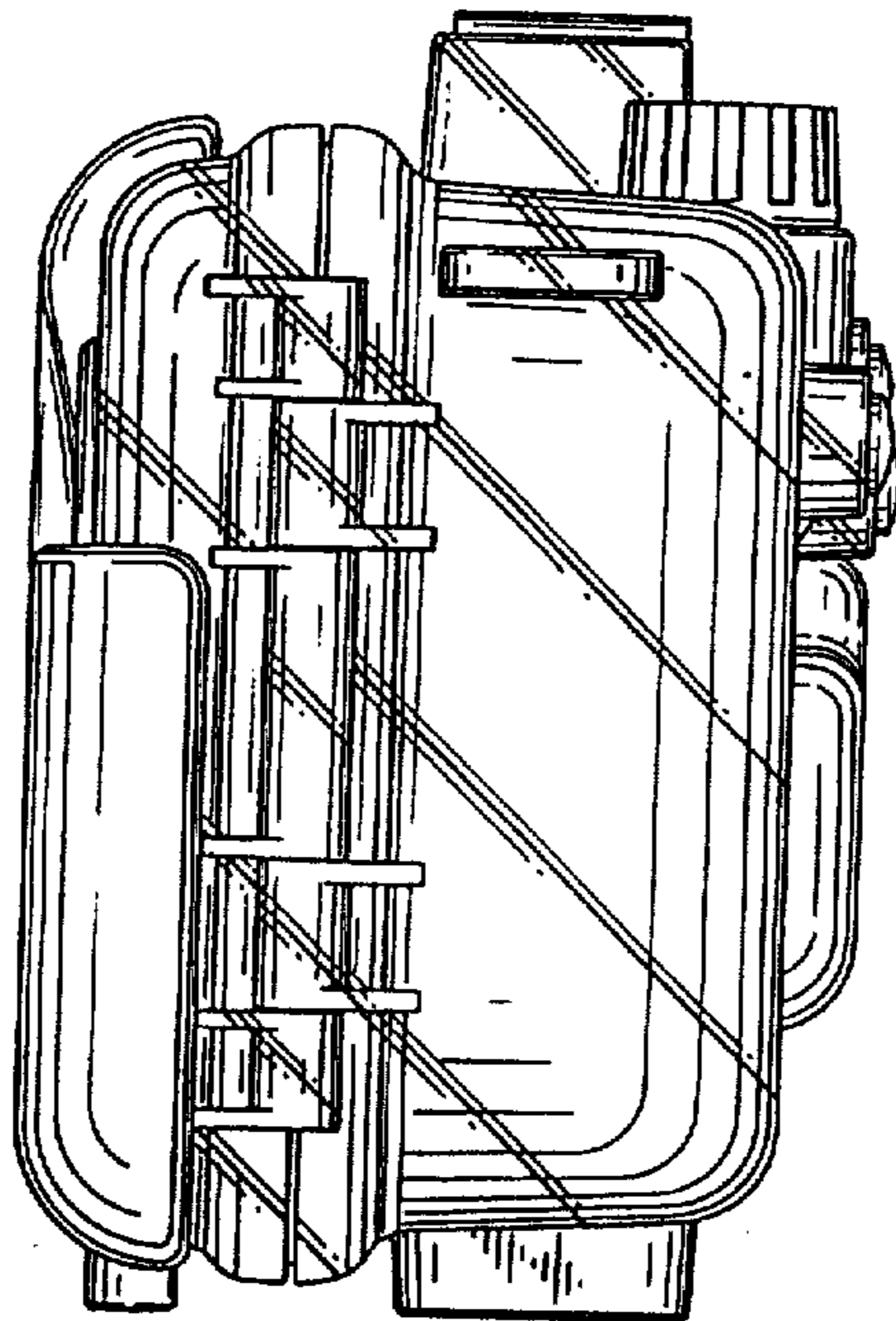




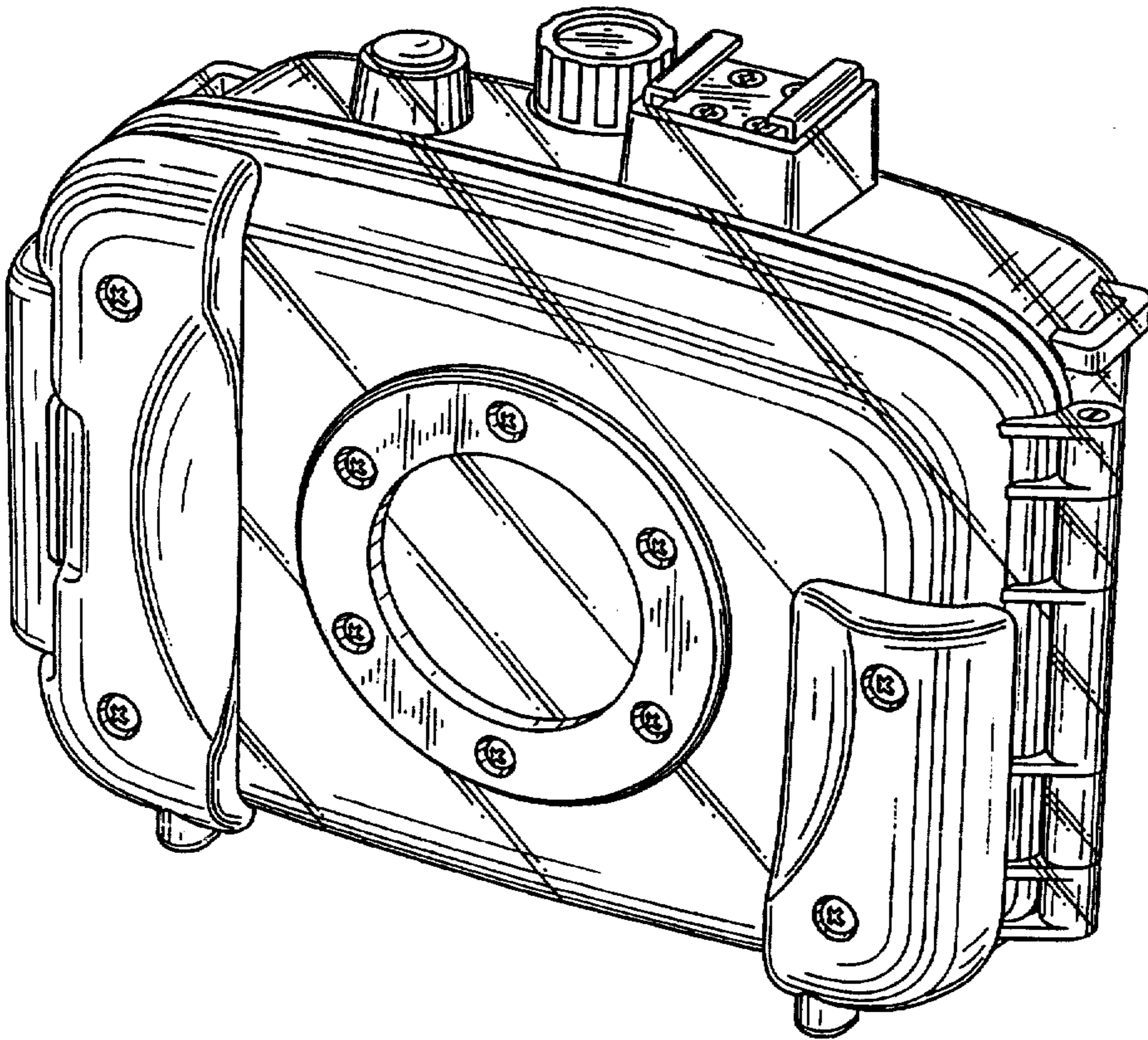
*FIG. 5*



*FIG. 6*



*FIG. 7*



UNITED STATES PATENT AND TRADEMARK OFFICE  
**CERTIFICATE OF CORRECTION**

PATENT NO. : Des 419,296  
DATED : January 25, 2000  
INVENTOR(S) : Toru Shinano

Page 1 of 1

It is certified that error appears in the above-identified patent and that said Letters Patent is hereby corrected as shown below:

[30] FOREIGN APPLICATION PRIORITY DATA

Insert: -- [30] Foreign Application Priority Data  
September 10, 1998 [JP] Japan ... 10-025856 --.

Signed and Sealed this

Second Day of October, 2001

*Attest:*

*Nicholas P. Godici*

*Attesting Officer*

NICHOLAS P. GODICI  
*Acting Director of the United States Patent and Trademark Office*