



US00D419293S

# United States Patent [19]

Beach, Jr. et al.

[11] Patent Number: **Des. 419,293**

[45] Date of Patent: **\*\* Jan. 25, 2000**

[54] **AUTO DART CASE**

[76] Inventors: **Ernest L. Beach, Jr.**, 1656 Brooklynn Dr., Dayton, Ohio 45432; **Gary F. Monjar**, 3521 E. 5th St., Dayton, Ohio 45403

[\*\*] Term: **14 Years**

[21] Appl. No.: **29/098,751**

[22] Filed: **Jan. 5, 1999**

[51] **LOC (7) Cl.** ..... **03-01**

[52] **U.S. Cl.** ..... **D3/254**

[58] **Field of Search** ..... D3/254, 221, 292, D3/294, 282, 273, 904, 905, 206; 206/315.1; D21/581; D9/415, 414, 418, 424

[56] **References Cited**

**U.S. PATENT DOCUMENTS**

D. 265,461	7/1982	Valley	.....	D3/254
D. 350,231	9/1994	Giegerich	.....	D3/254
D. 360,752	8/1995	Hannafin	.....	D3/254
3,960,271	6/1976	Nelson	.....	206/315.1
4,773,578	9/1988	Braun	.	

5,165,537 11/1992 Neff et al. .  
5,238,108 8/1993 Velezis et al. .  
5,450,992 9/1995 Coffee .

*Primary Examiner*—Louis S. Zarfes  
*Assistant Examiner*—Catherine R. Oliver  
*Attorney, Agent, or Firm*—Patent & Trademark Services;  
Joseph H. McGlynn

[57] **CLAIM**

The ornamental design for an auto dart case, as shown and described.

**DESCRIPTION**

FIG. 1 is a side view of the case in the closed position.  
FIG. 2 is an opposite side view thereof;  
FIG. 3 is a top view of the case.  
FIG. 4 is a bottom view of the case.  
FIG. 5 is a rear view of the case.  
FIG. 6 is a front view of the case; and,  
FIG. 7 is a perspective view of the case when it is open.  
The broken line showing of environment in FIG. 7 is for illustrative purposes only and forms no part of the claimed design.

**1 Claim, 3 Drawing Sheets**

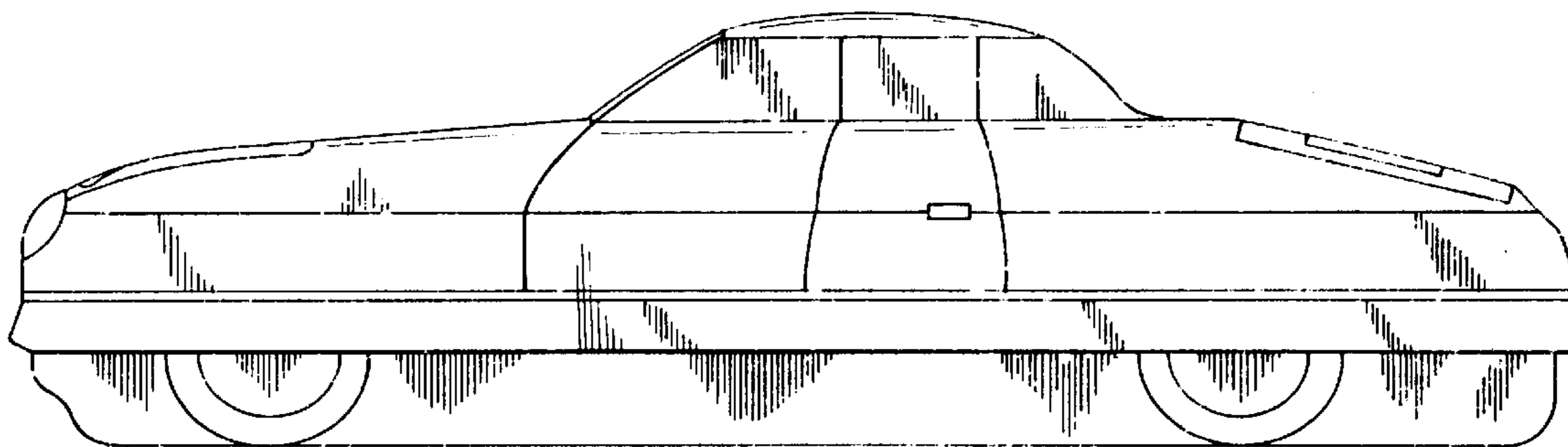


FIG. 1

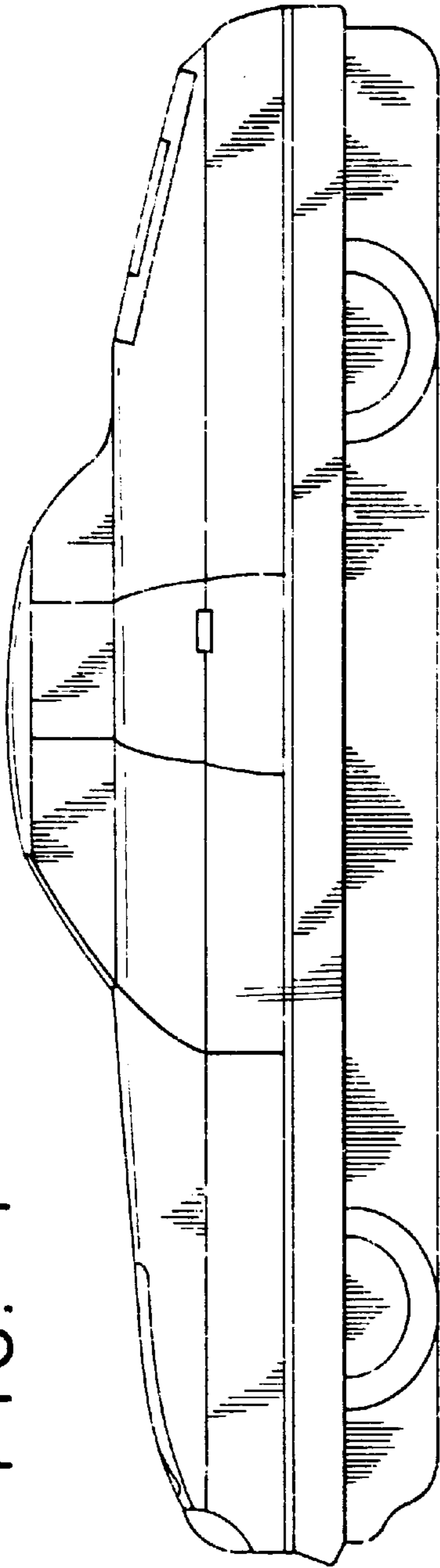


FIG. 2

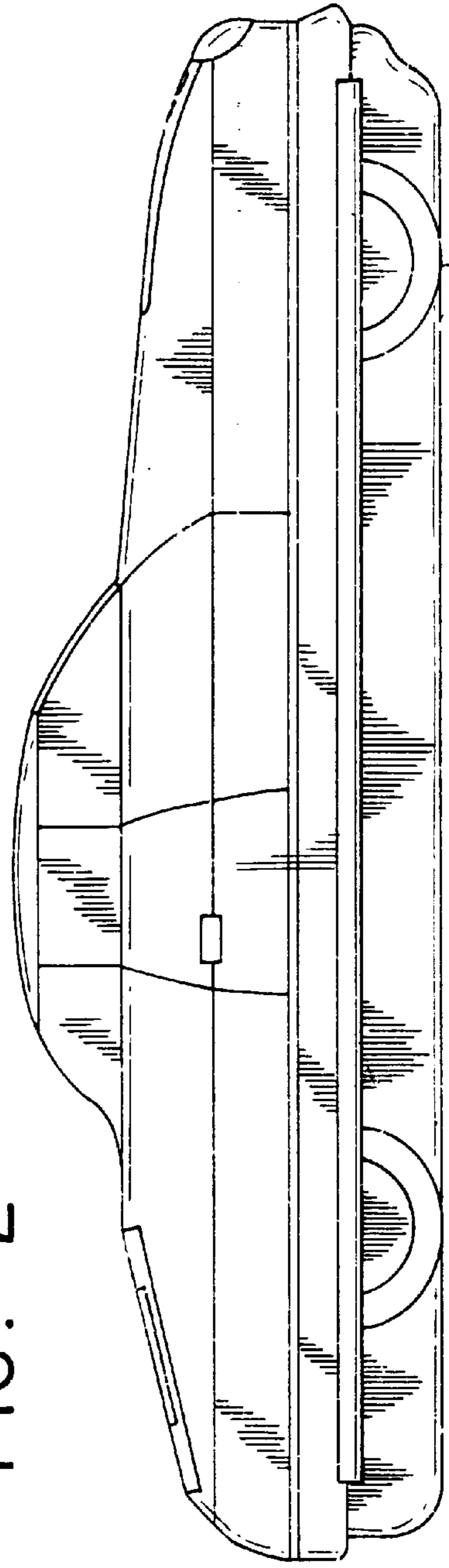


FIG. 3

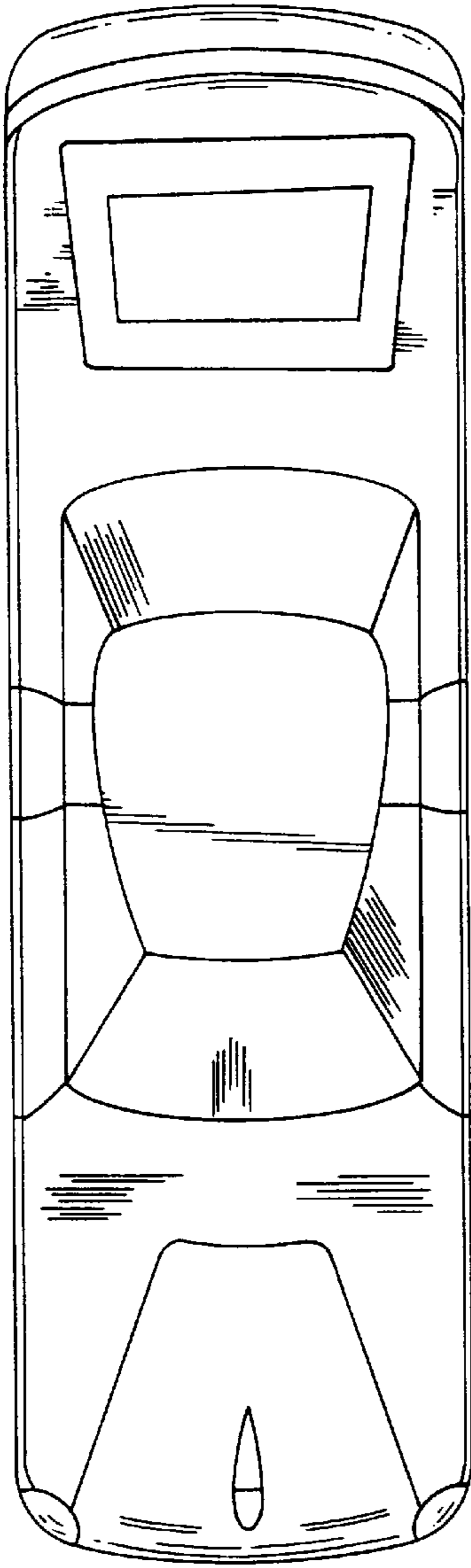
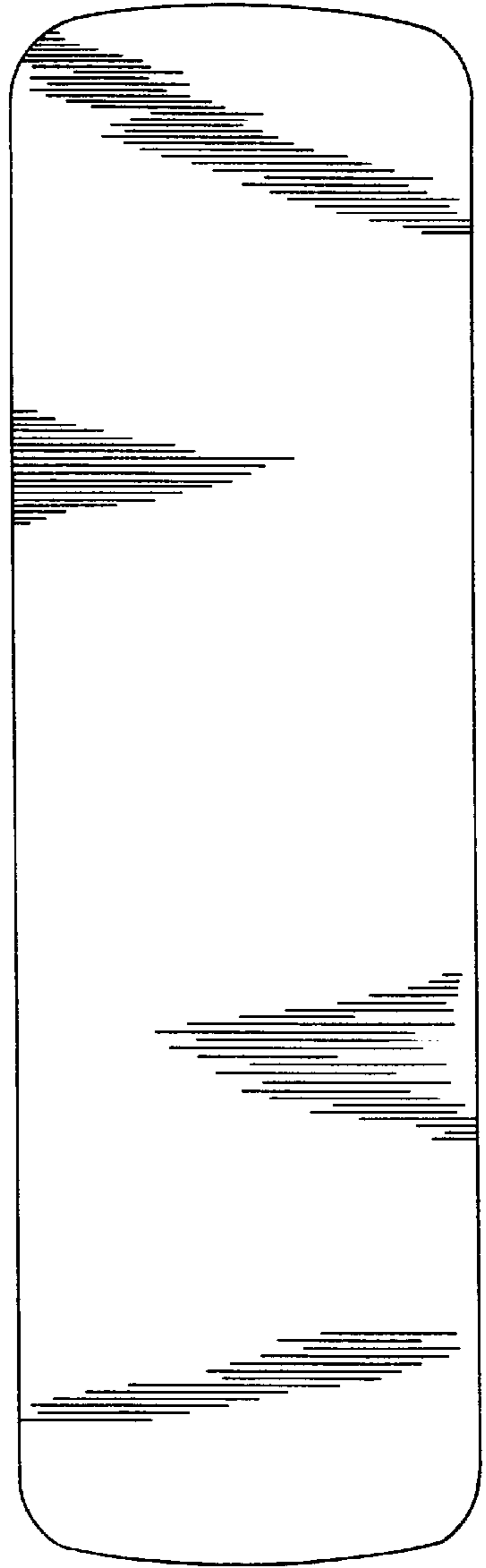


FIG. 4



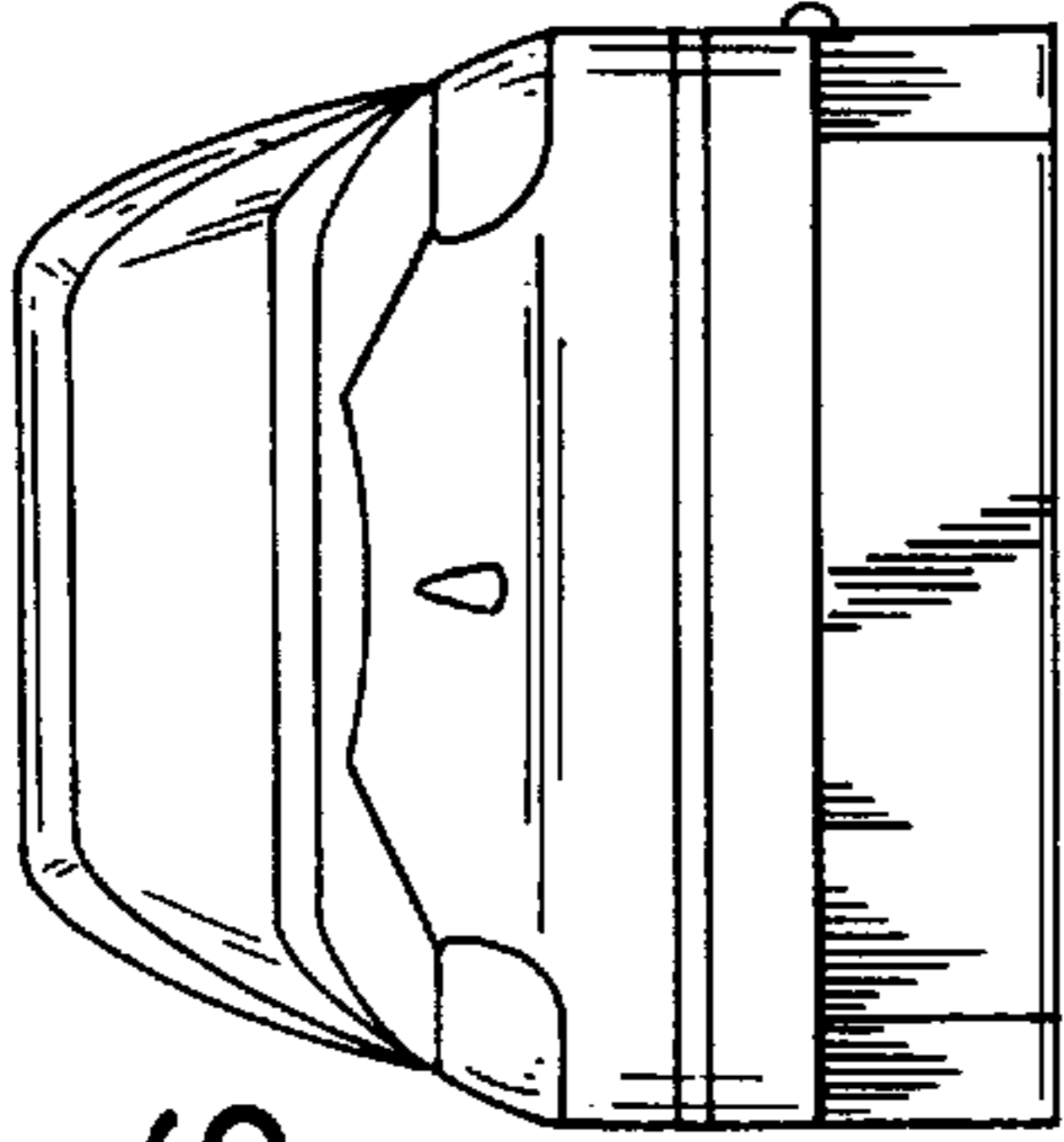


FIG. 6

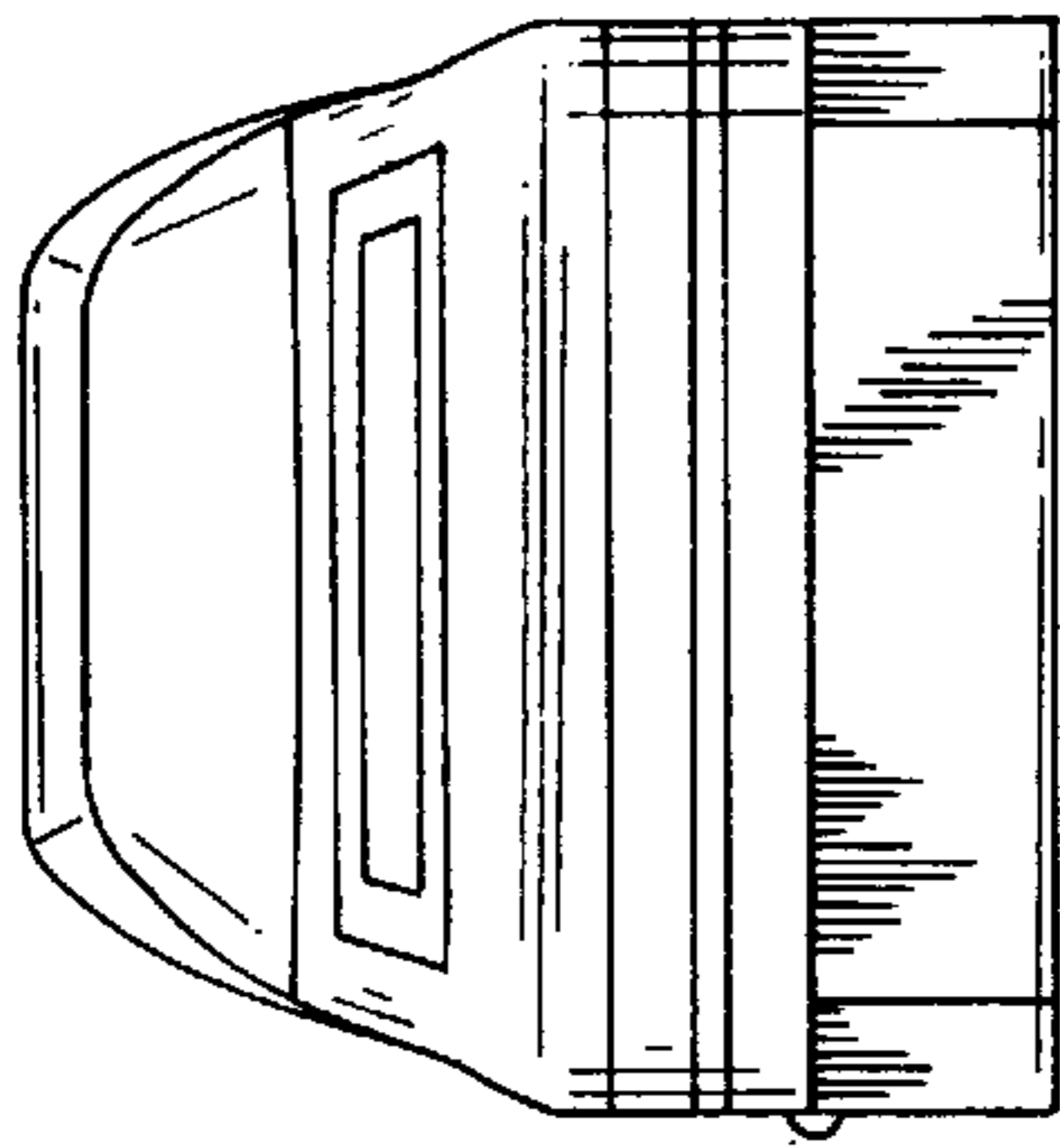


FIG. 5

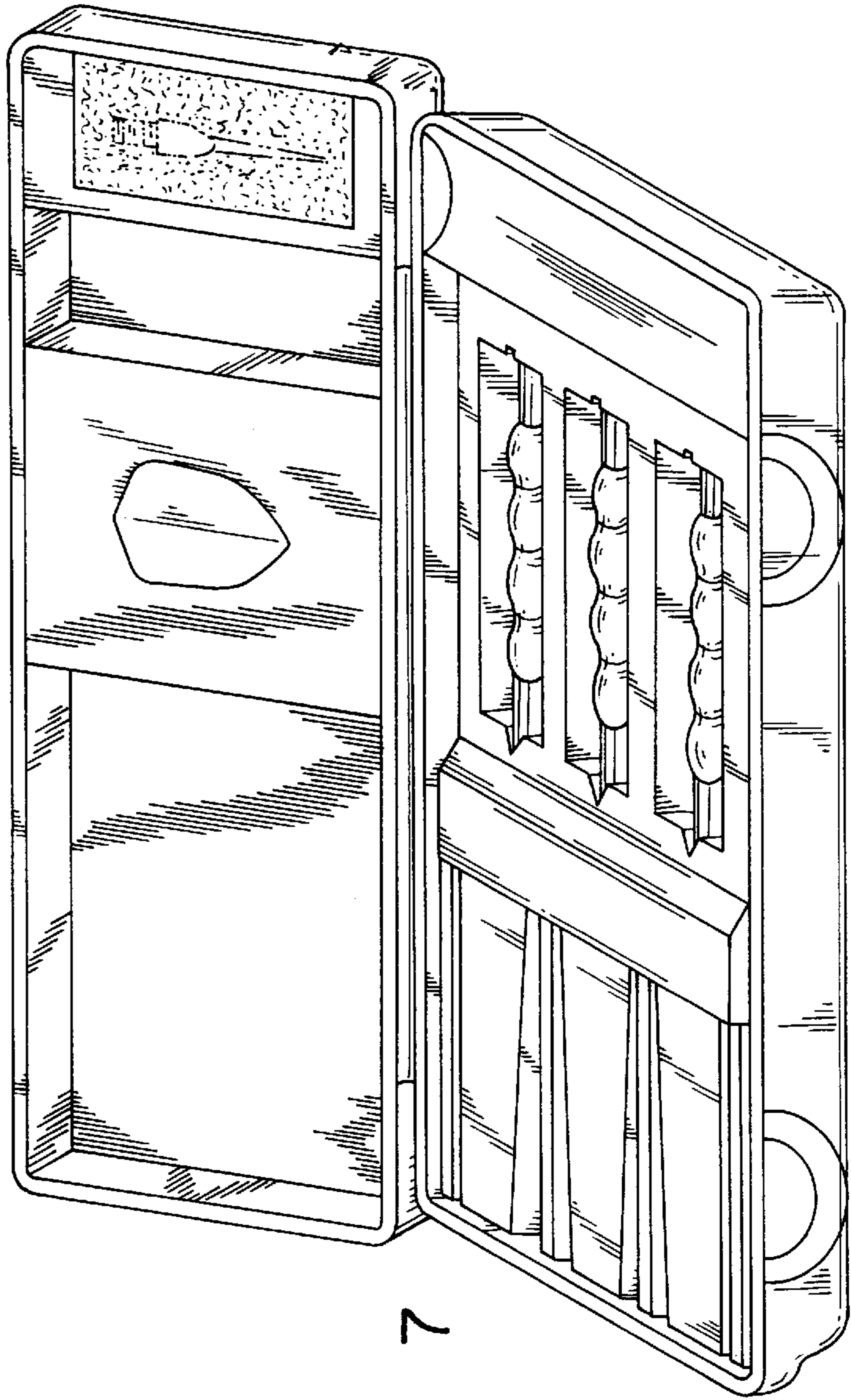


FIG. 7