



US00D419289S

**United States Patent** [19]  
**Edwards**

[11] **Patent Number: Des. 419,289**  
[45] **Date of Patent: \*\* Jan. 25, 2000**

[54] **CARD HOLDER FOR A KEY CHAIN**

4,739,877 4/1988 Olson ..... 206/38.1

[76] Inventor: **Linda Virginia Edwards**, P. O. Box  
125, Lavon, Tex. 75166

**FOREIGN PATENT DOCUMENTS**

1233243 1/1967 Germany .

[\*\*] Term: **14 Years**

*Primary Examiner*—Ralf Seifert  
*Attorney, Agent, or Firm*—Stephen R. Greiner

[21] Appl. No.: **29/094,721**

[57] **CLAIM**

[22] Filed: **Oct. 8, 1998**

The ornamental design for a card holder for a key chain, as shown and described.

[51] **LOC (7) Cl.** ..... **03-01**

[52] **U.S. Cl.** ..... **D3/208**

[58] **Field of Search** ..... D3/207–211; 70/456 B,  
70/458 R; 273/144 B; 206/38.1; D20/22

**DESCRIPTION**

[56] **References Cited**

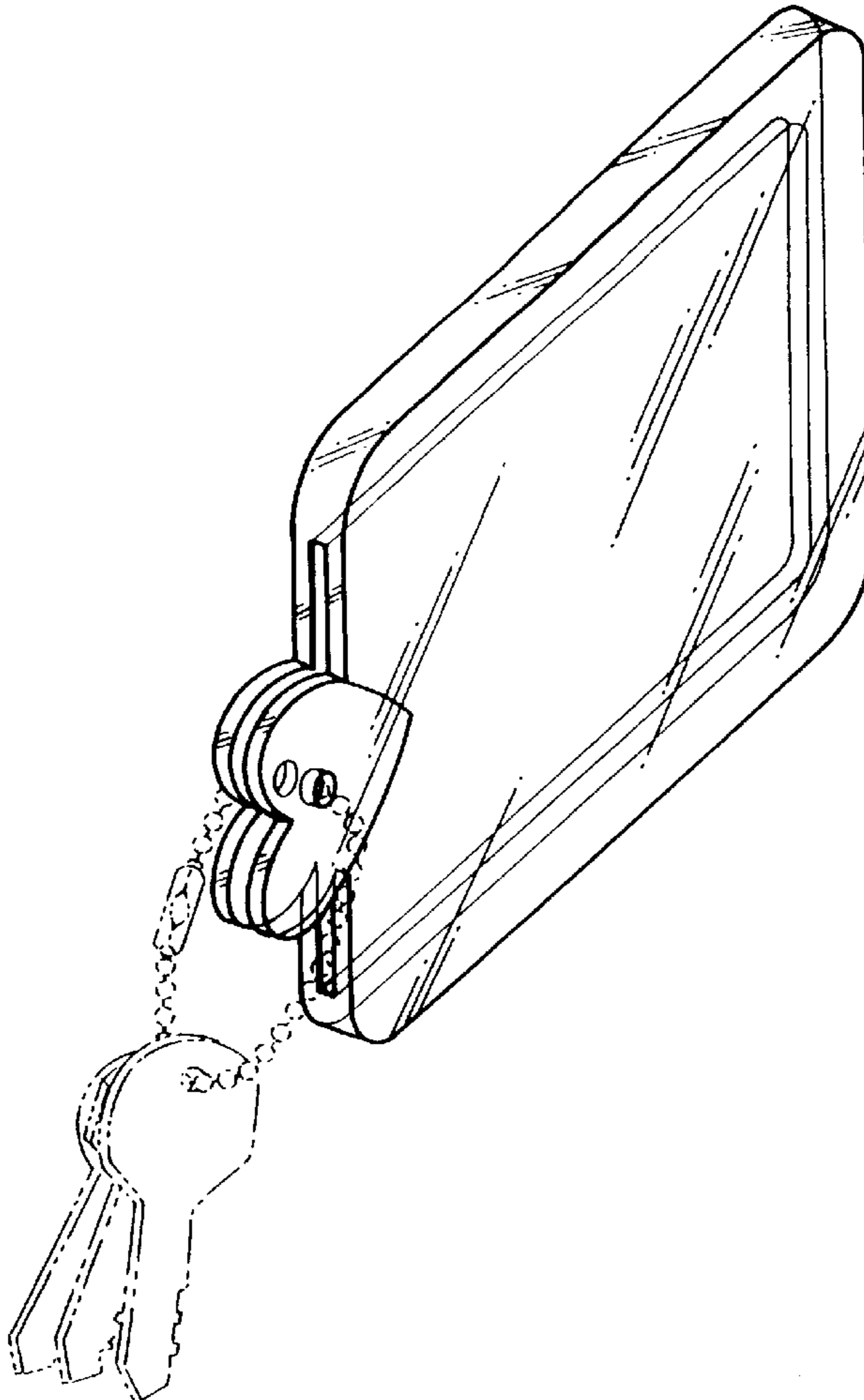
FIG. 1 is a perspective view of a card holder for a key chain showing my new design;  
FIG. 2 is a top view thereof;  
FIG. 3 is a front elevational view with the rear being a mirror image thereof;  
FIG. 4 is a bottom view thereof; and,  
FIG. 5 is a right side elevational view with the left side being a mirror image thereof.

**U.S. PATENT DOCUMENTS**

D. 308,757	6/1990	Sanford	.....	D3/208
D. 316,570	4/1991	Golden	.....	D20/22
D. 324,954	3/1992	Lewis	.....	D3/208
D. 369,464	5/1996	Williams et al.	.....	D3/207
2,297,285	9/1942	Bledsoe .		
2,812,601	11/1957	Hines .		
2,865,120	12/1958	Hines .		
4,332,284	6/1982	Pallis .		
4,521,981	6/1985	Kasprzycki et al. .		

The broken line showing of a key chain and keys in FIG. 1 is for demonstrative purposes only and forms no part of the claimed design.

**1 Claim, 1 Drawing Sheet**



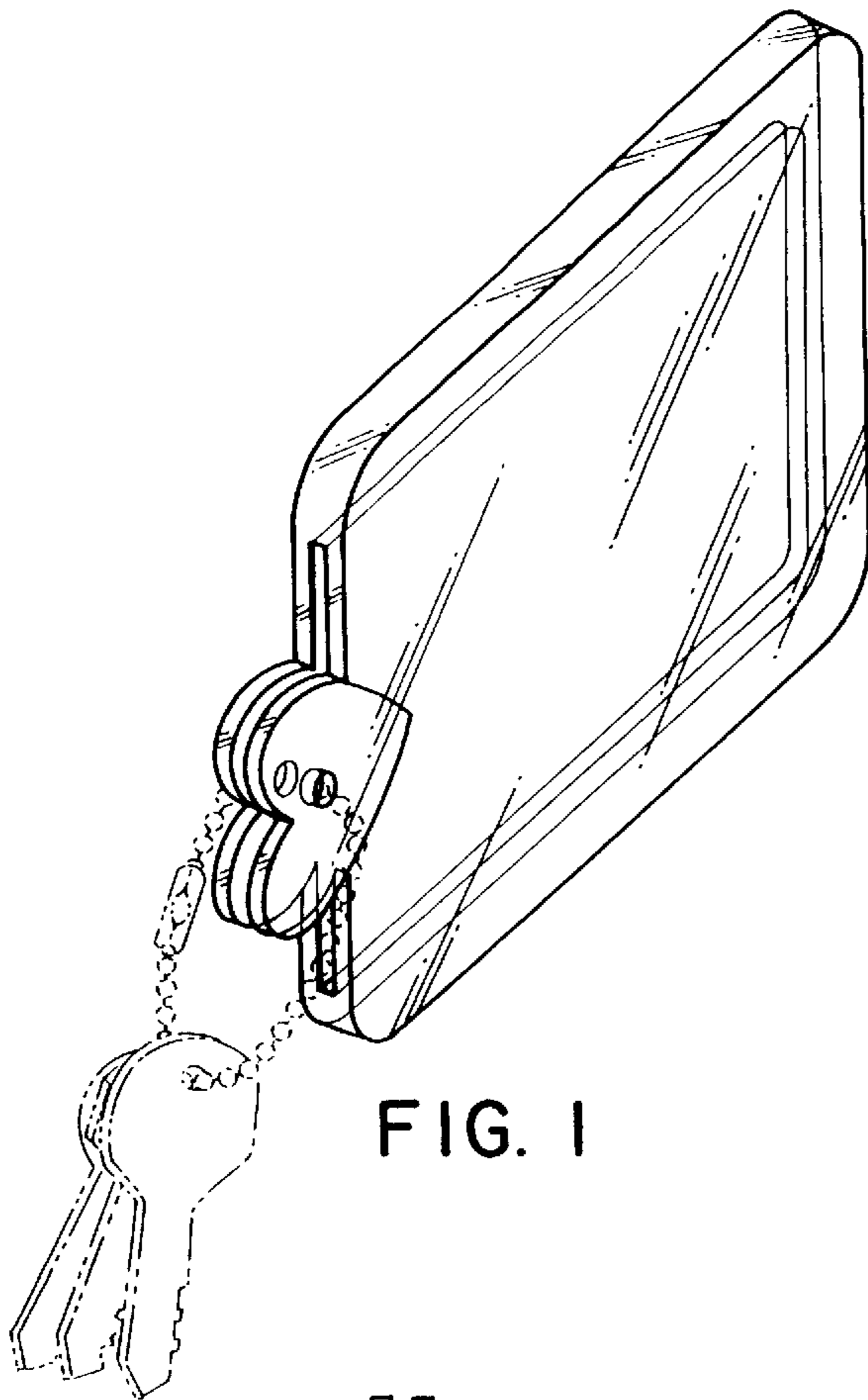


FIG. 1



FIG. 2

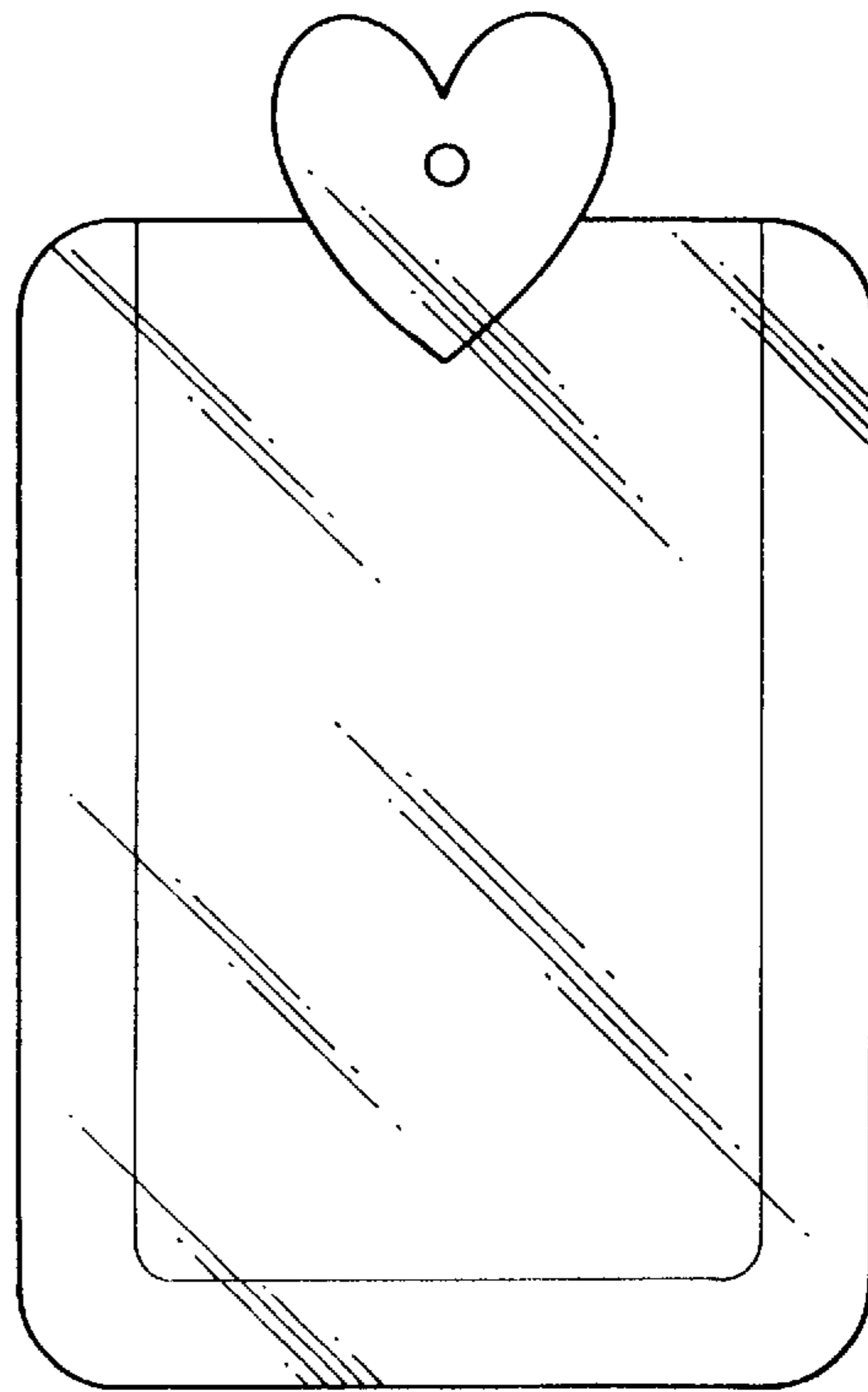


FIG. 3

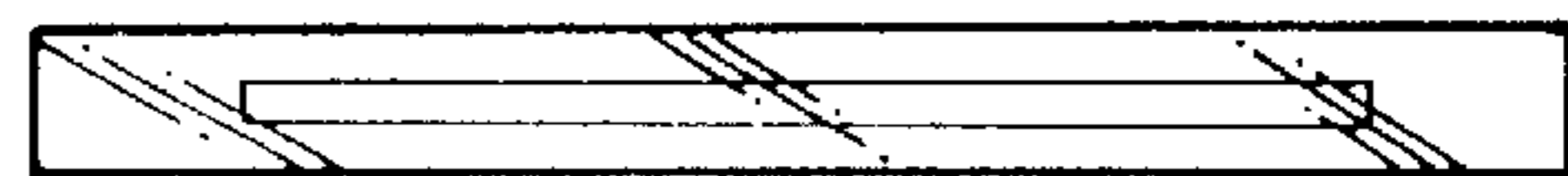


FIG. 4



FIG. 5