



US00D419287S

United States Patent [19]

Wallace

[11] Patent Number: **Des. 419,287**

[45] Date of Patent: **** Jan. 25, 2000**

[54] **UMBRELLA**

5,002,080 3/1991 Ma 135/20.1
5,263,505 11/1993 Yeom 135/20.1

[76] Inventor: **Tracy S Wallace**, 677 Glenrock Dr.,
Bethel Park, Pa. 15102

Primary Examiner—Louis S. Zarfes
Assistant Examiner—Catherine R Oliver

[**] Term: **14 Years**

[57] **CLAIM**

[21] Appl. No.: **29/104,843**

The ornamental design for a umbrella, as shown and described.

[22] Filed: **May 13, 1999**

[51] **LOC (7) Cl.** **03-03**

[52] **U.S. Cl.** **D3/5**

[58] **Field of Search** D3/5, 6; 135/15.1,
135/16, 20.1, 27, 28

DESCRIPTION

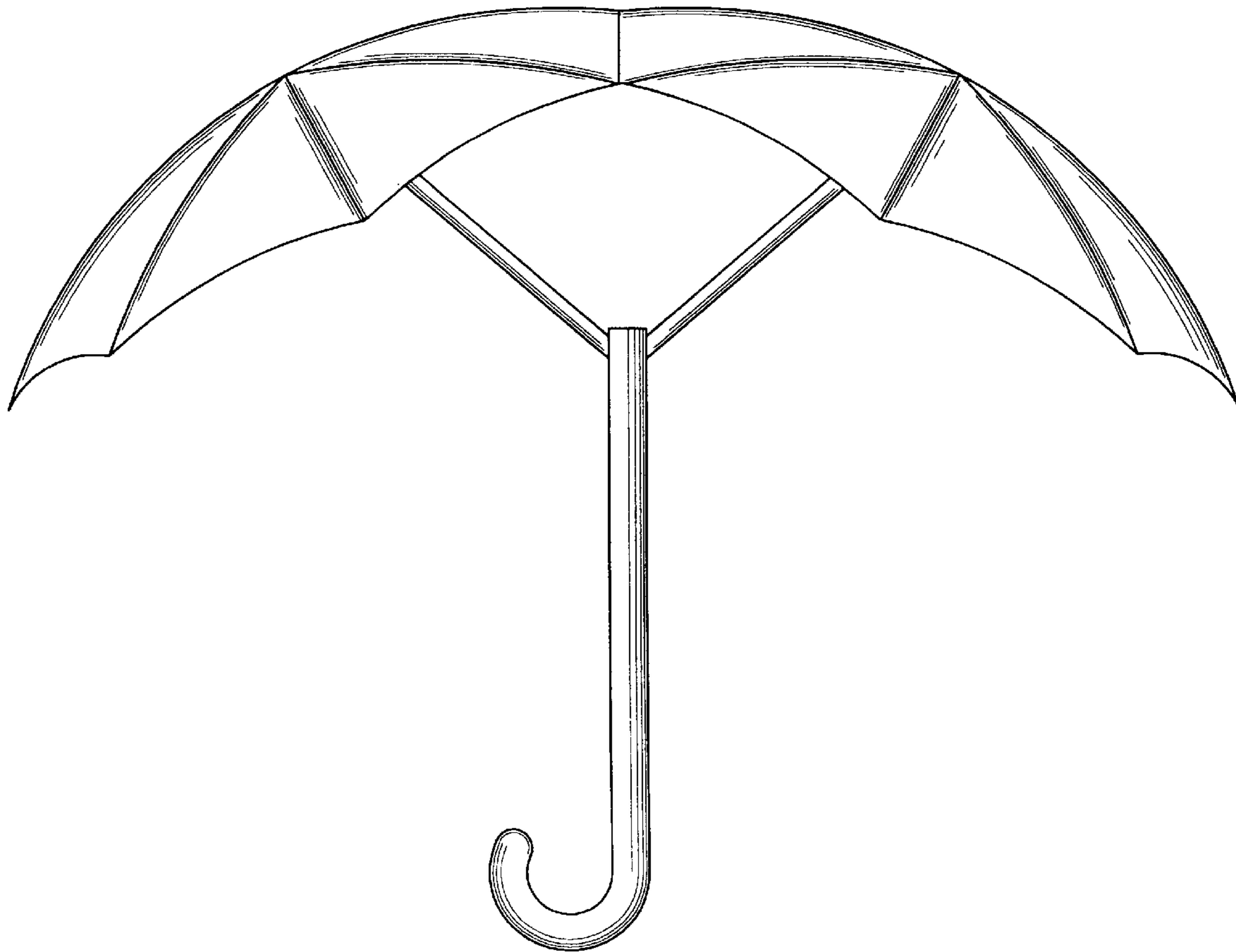
[56] **References Cited**

U.S. PATENT DOCUMENTS

256,308	4/1882	Forster	135/20.1
990,632	4/1911	Burton	135/20.1
3,464,431	9/1969	Loeffler	135/20.1
4,144,900	3/1979	Kinski	135/20.1
4,274,429	6/1981	Kinski	135/20.1

FIG. 1 is a top plan view of the umbrella of the present invention;
FIG. 2 is a front elevational view of the umbrella of FIG. 1, the rear elevational view being a mirror image thereof;
FIG. 3 is a left side elevational view of the umbrella of FIG. 1;
FIG. 4 is a right side elevational view of the umbrella of FIG. 1; and,
FIG. 5 is a bottom plan view of the umbrella of FIG. 1.

1 Claim, 3 Drawing Sheets



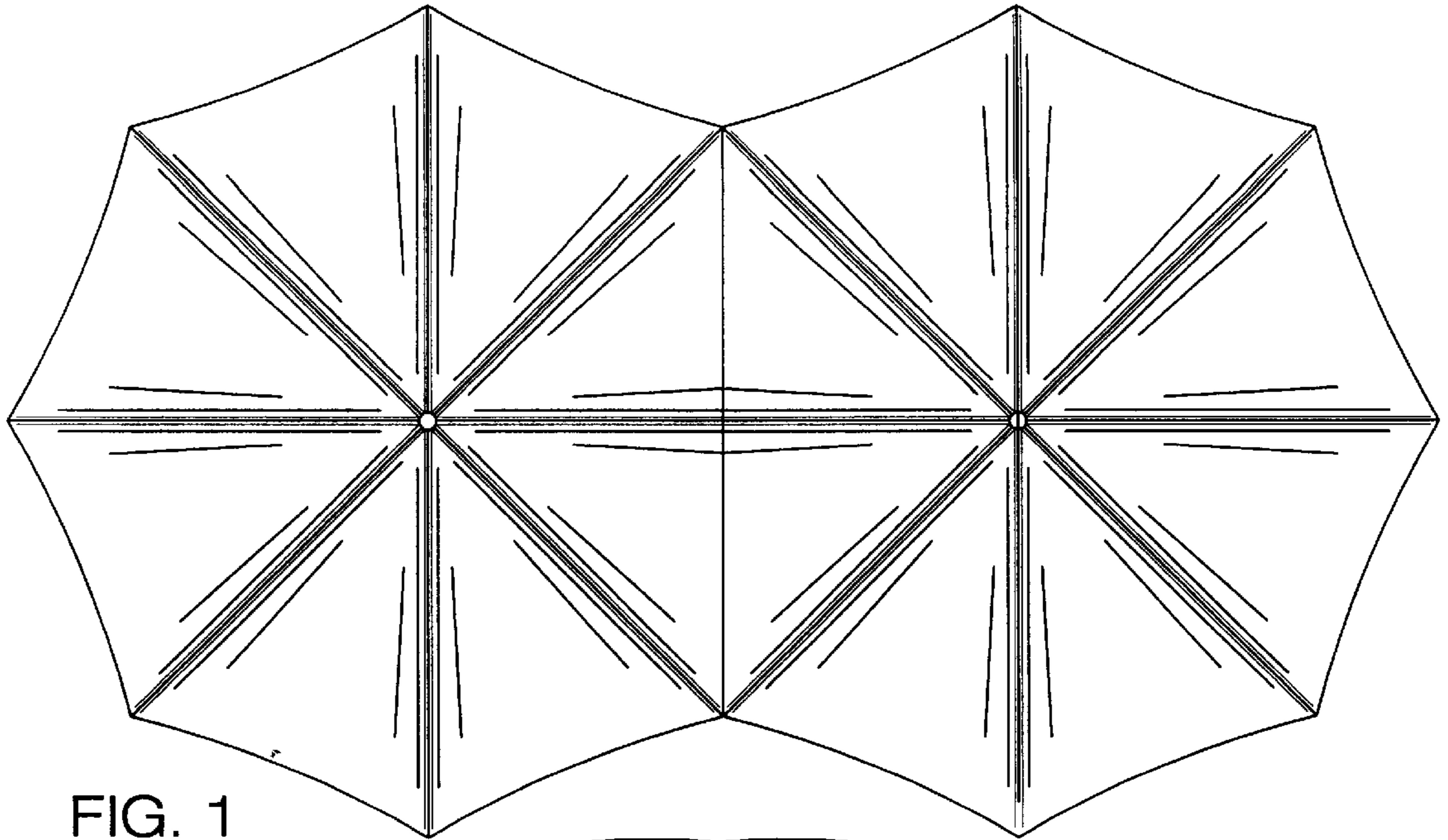


FIG. 1

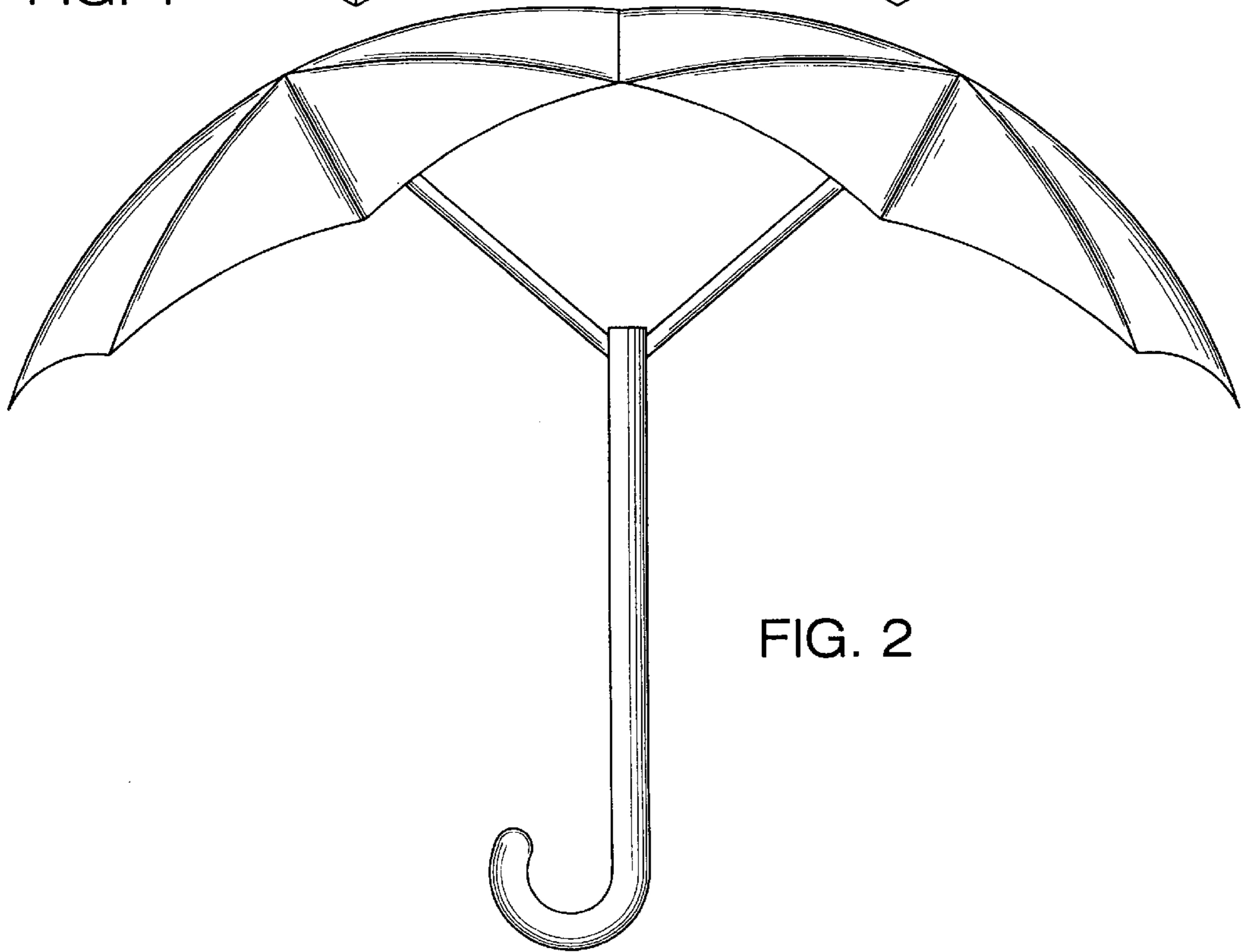


FIG. 2

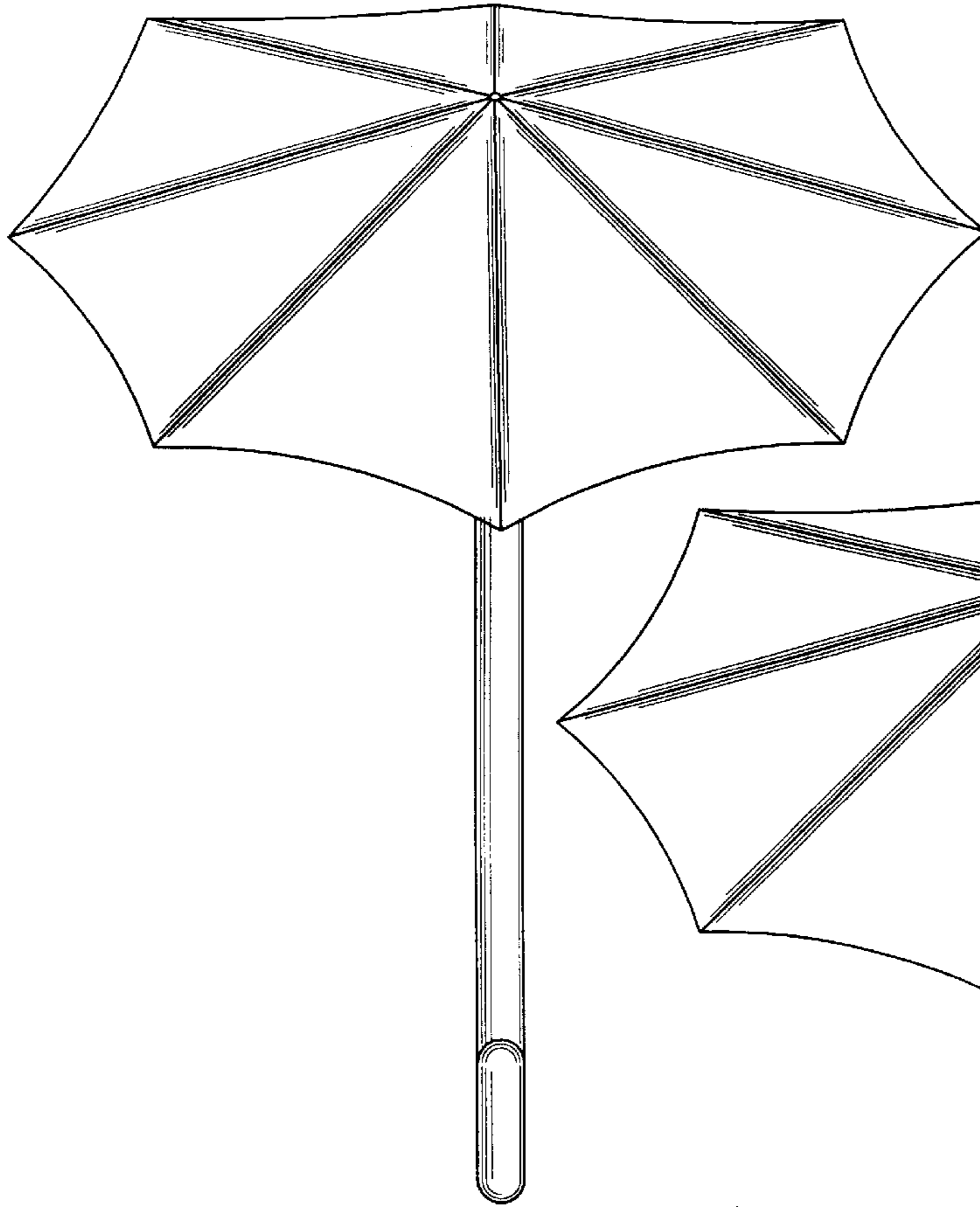


FIG. 3

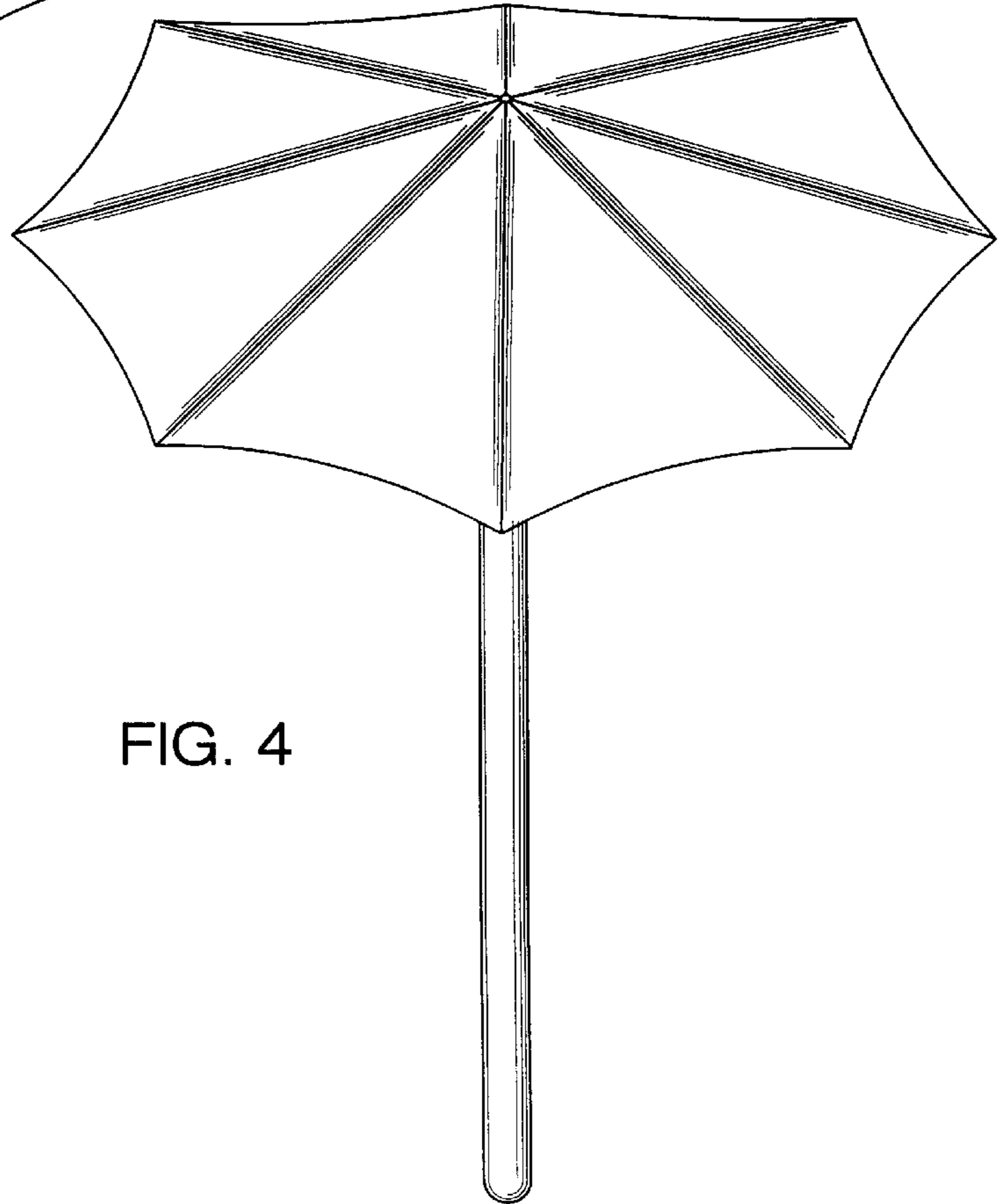


FIG. 4

FIG. 5

