



US00D419278S

# United States Patent [19]

**Knutson et al.**

[11] **Patent Number: Des. 419,278**

[45] **Date of Patent: \*\* Jan. 25, 2000**

[54] **TOY AIRCRAFT**

[75] Inventors: **Eric Knutson**, Lancaster; **Joseph Wurts**, Valencia; **John Reynolds**, Lancaster, all of Calif.

[73] Assignee: **Lockheed Martin Corporation**, Palmdale, Calif.

[\*\*] Term: **14 Years**

[21] Appl. No.: **29/097,504**

[22] Filed: **Dec. 8, 1998**

[51] **LOC (7) Cl.** ..... **21-01**

[52] **U.S. Cl.** ..... **D2/447**

[58] **Field of Search** ..... D21/447-449;  
446/34, 61

[56] **References Cited**

**U.S. PATENT DOCUMENTS**

D. 149,848 6/1948 Struck ..... D21/447

D. 237,291 10/1975 Meffert ..... D21/447  
D. 240,440 7/1976 Rizzo ..... D21/447  
D. 310,251 8/1990 Kenyan et al. .... D21/447  
3,246,425 4/1966 Miller ..... 446/61

*Primary Examiner*—Dominic Simone  
*Attorney, Agent, or Firm*—Robert A. Schruhl

[57] **CLAIM**

We claim the ornamental design for toy aircraft, as shown.

**DESCRIPTION**

FIG. 1 is a front right-side perspective

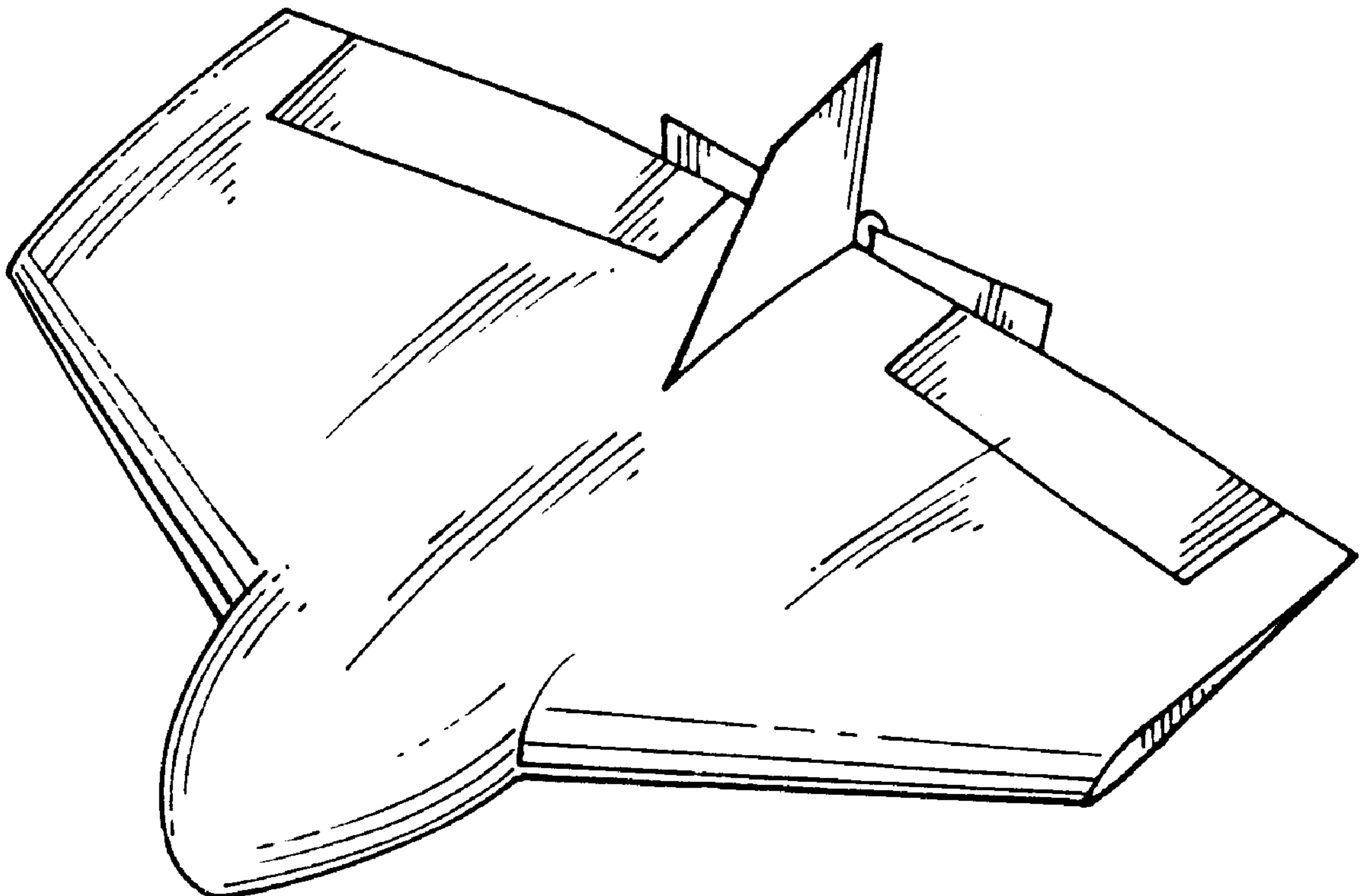
FIG. 2 is a top plan elevation

FIG. 3 is a left side elevation

FIG. 4 is a front elevation; and,

FIG. 5 is a rear elevation.

**1 Claim, 1 Drawing Sheet**



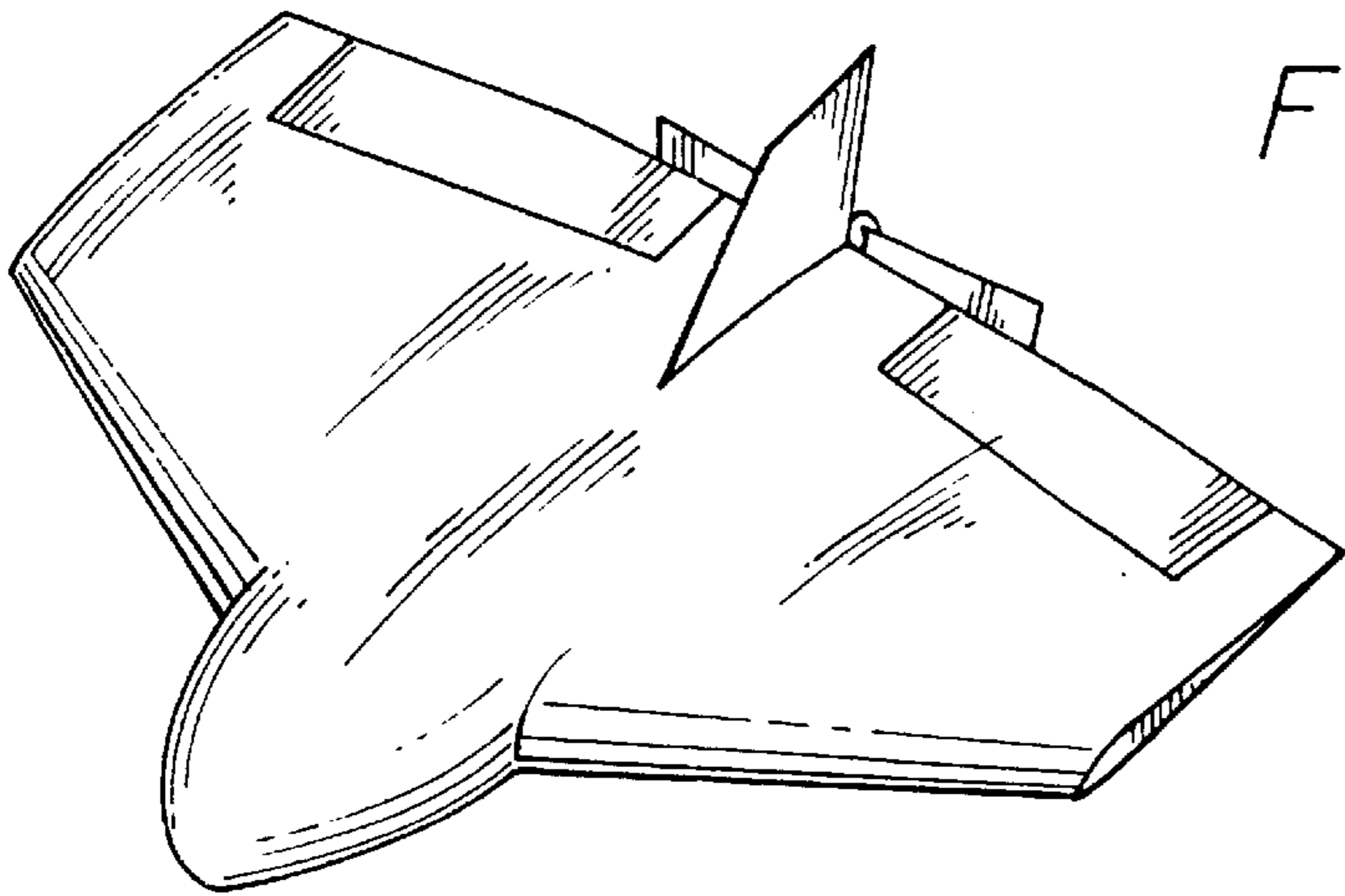


FIG. 1

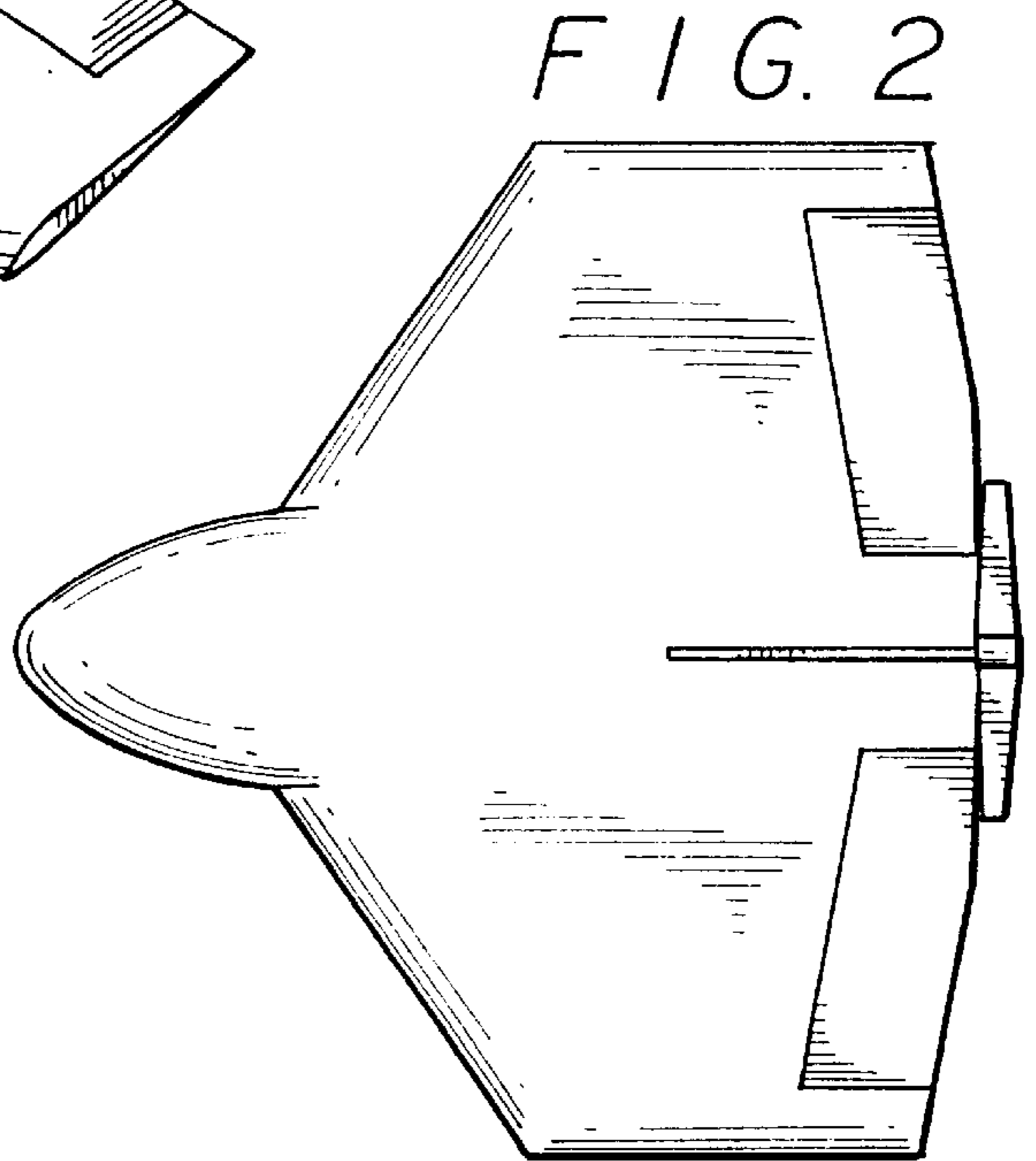


FIG. 2

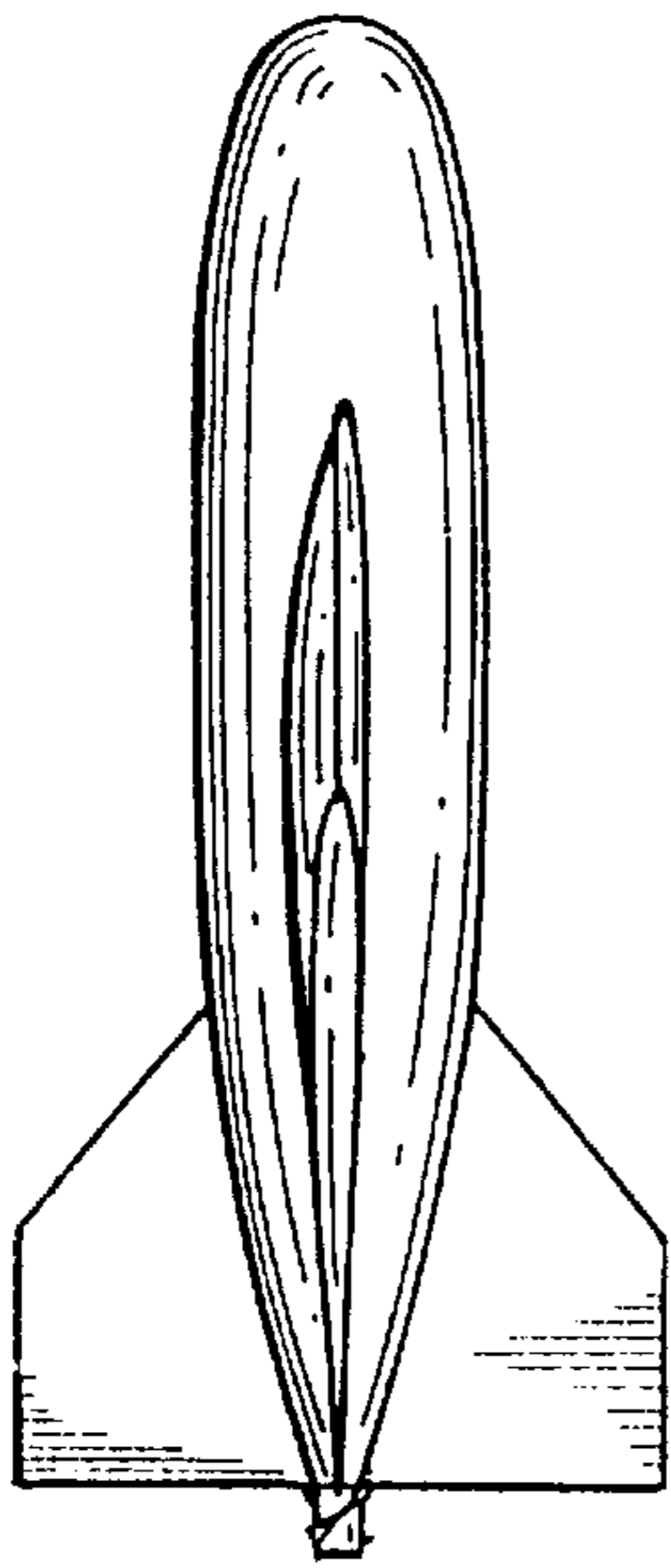


FIG. 3

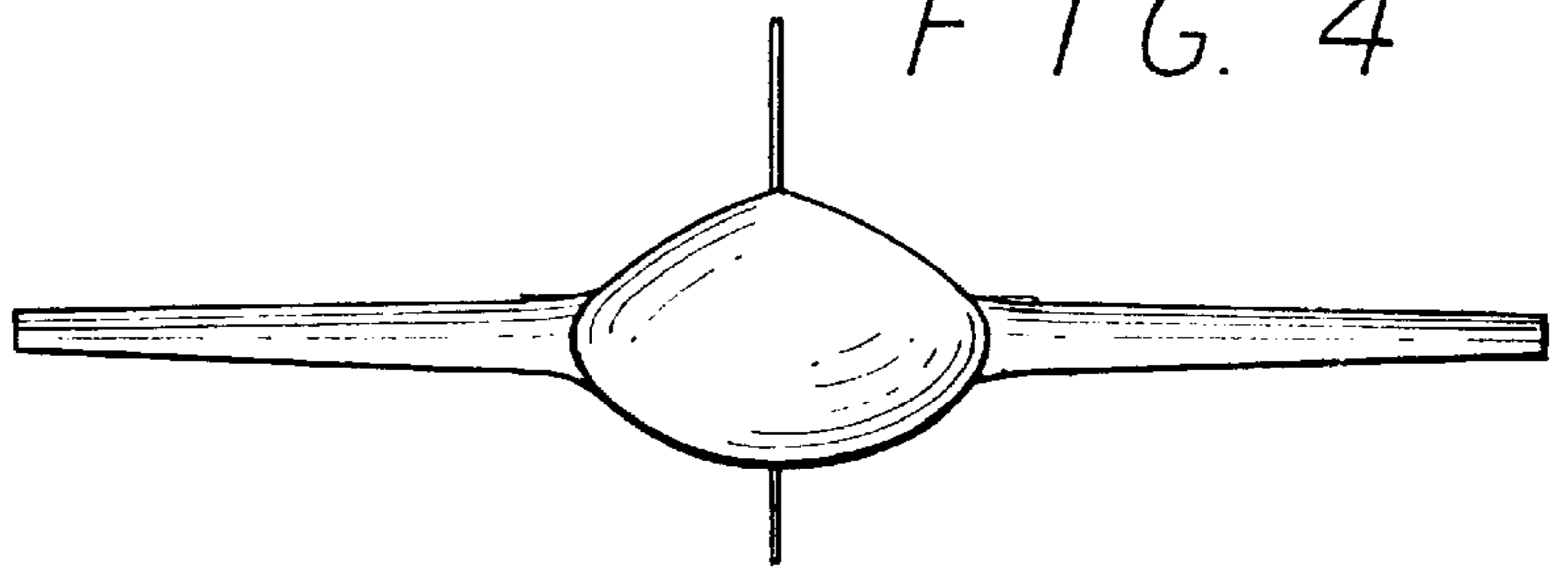


FIG. 4

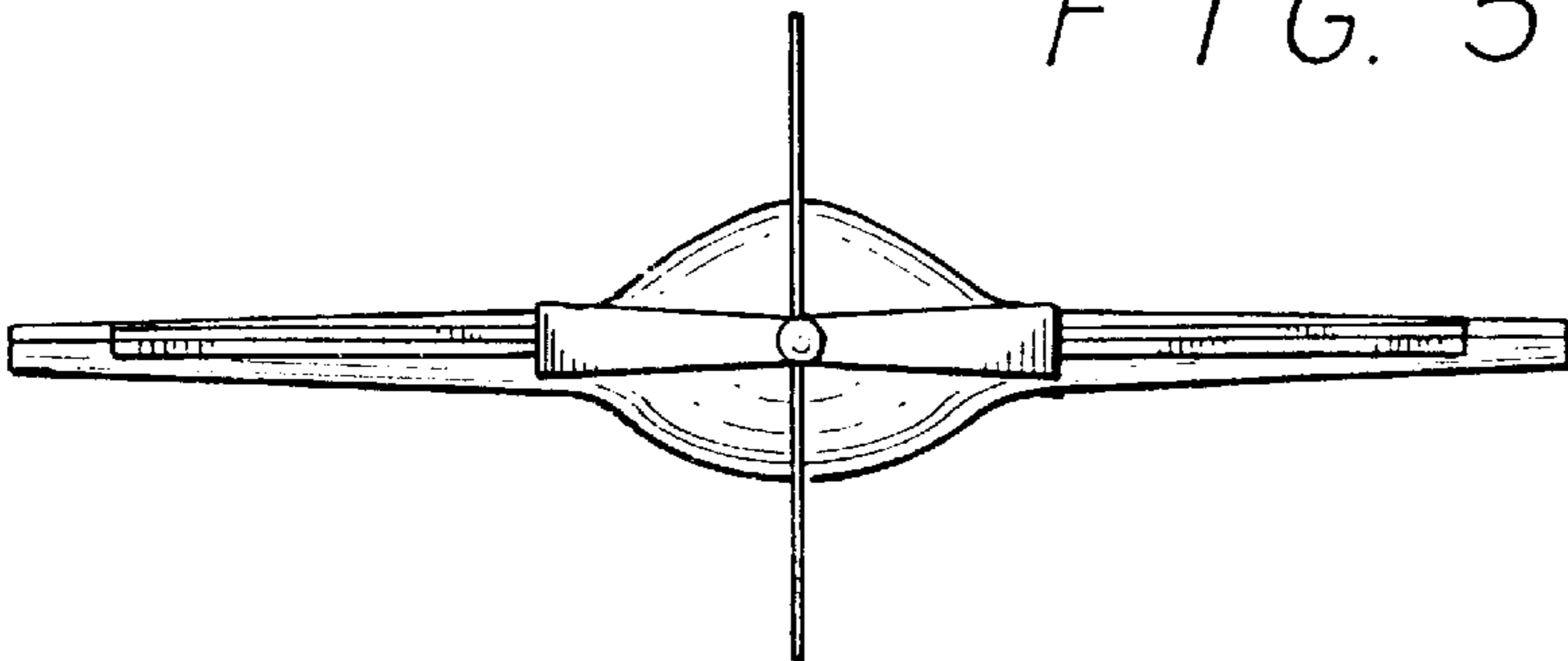


FIG. 5