



US00D419275S

# United States Patent [19] Carter

[11] **Patent Number: Des. 419,275**  
[45] **Date of Patent: \*\* Jan. 18, 2000**

[54] **PALLET**

[75] Inventor: **Leewood C. Carter**, Ooltewah, Tenn.

[73] Assignee: **Reusable Rolls, Inc.**, Riceville, Tenn.

[\*\*] Term: **14 Years**

[21] Appl. No.: **29/102,398**

[22] Filed: **Mar. 24, 1999**

[51] **LOC (7) Cl. .... 09-08**

[52] **U.S. Cl. .... D34/38**

[58] **Field of Search** ..... D34/38; 108/53.1,  
108/51.1, 56.1, 56.3, 52.1, 54.1, 55.3, 57.1;  
248/346.1

[56] **References Cited**

**U.S. PATENT DOCUMENTS**

|            |         |             |       |        |
|------------|---------|-------------|-------|--------|
| D. 217,860 | 6/1970  | Bartee      | ..... | D34/38 |
| D. 221,277 | 7/1971  | Wharton     | ..... | D34/38 |
| D. 256,007 | 7/1980  | Chillog     | ..... | D34/38 |
| D. 267,386 | 12/1982 | Kneale, III | ..... | D34/38 |
| D. 307,966 | 5/1990  | Back        | ..... | D34/38 |
| D. 409,814 | 5/1999  | Herring     | ..... | D34/38 |

|           |         |                  |       |          |
|-----------|---------|------------------|-------|----------|
| 1,875,104 | 8/1932  | Mossberg et al.  | ..... | 108/51.1 |
| 3,256,839 | 6/1966  | Peterson et al.  | ..... | 108/53.1 |
| 3,285,204 | 11/1966 | Schweitzer, Jr.  | ..... | 108/53.1 |
| 3,654,877 | 4/1972  | Barrett          | ..... | 108/56.3 |
| 4,597,339 | 7/1986  | McCaffrey et al. | ..... | 108/51.1 |
| 5,402,735 | 4/1995  | DeJean           | ..... | 108/51.1 |
| 5,816,172 | 10/1998 | Carter           | ..... | 108/51.3 |

*Primary Examiner*—Susan J. Lucas  
*Assistant Examiner*—Cynthia E. Ramirez  
*Attorney, Agent, or Firm*—Alan Ruderman; Miller & Martin

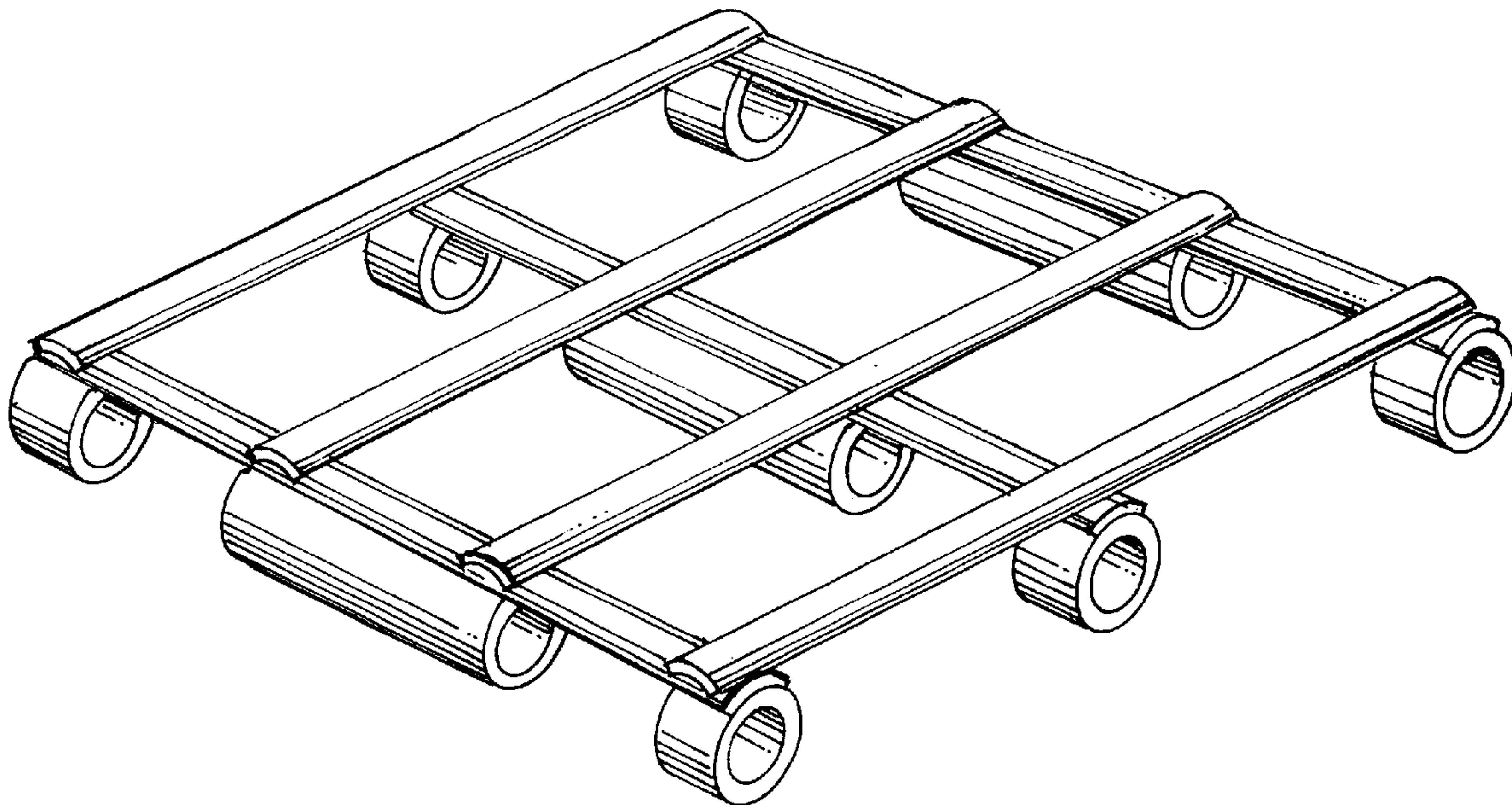
[57] **CLAIM**

The ornamental design for a pallet, as shown and described.

**DESCRIPTION**

FIG. 1 is a front perspective view of a pallet embodying my new design;  
FIG. 2 is a front elevational view thereof, a rear elevational view being identical thereto;  
FIG. 3 is a side elevational view thereof, the other side elevational view being identical thereto;  
FIG. 4 is a top view thereof; and,  
FIG. 5 is a bottom view thereof.

**1 Claim, 2 Drawing Sheets**



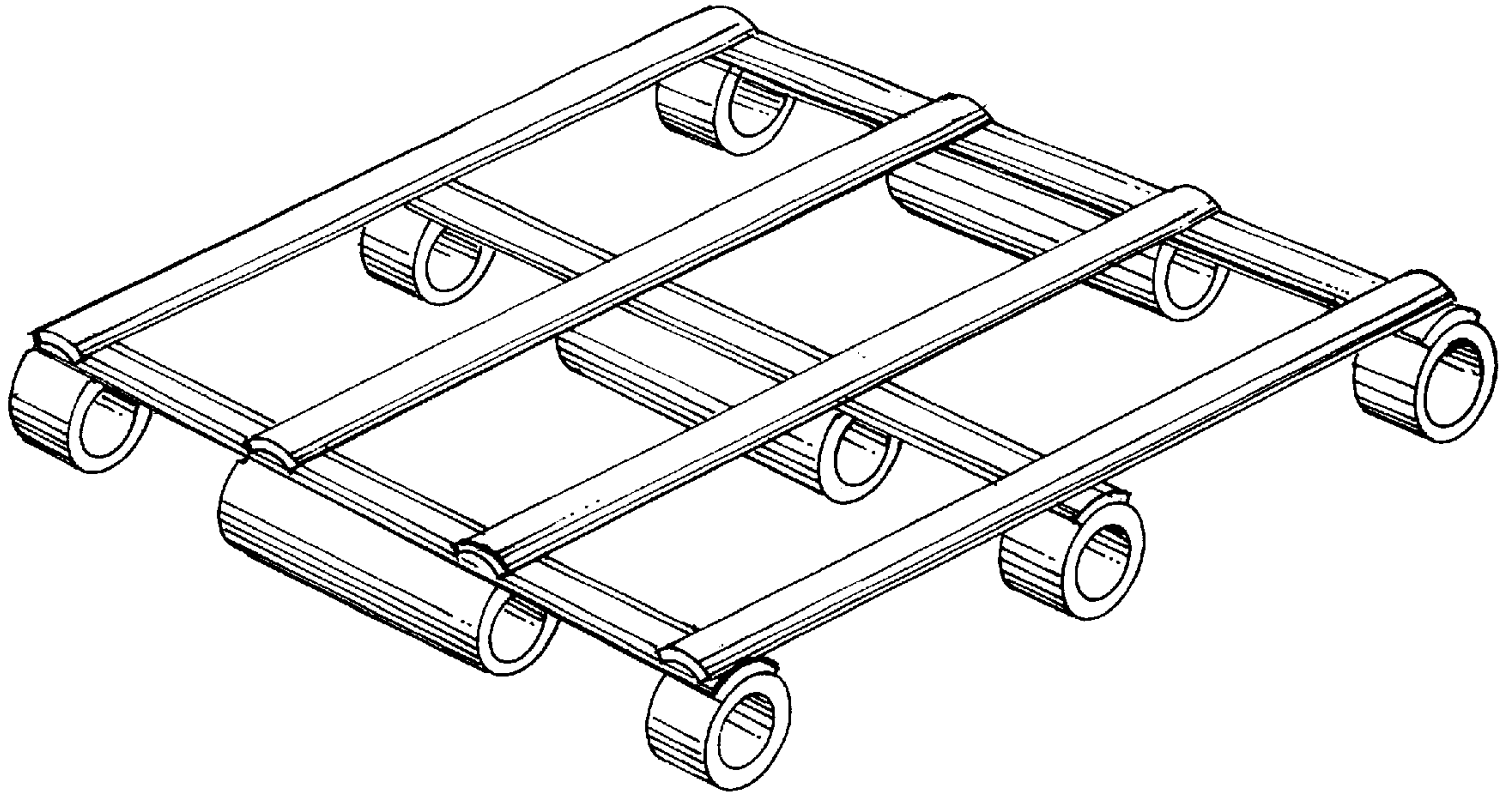


FIG. 1

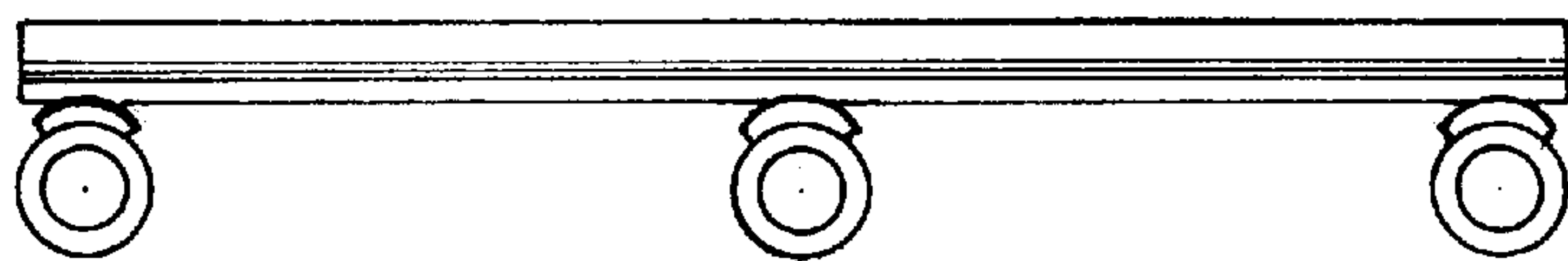


FIG. 2

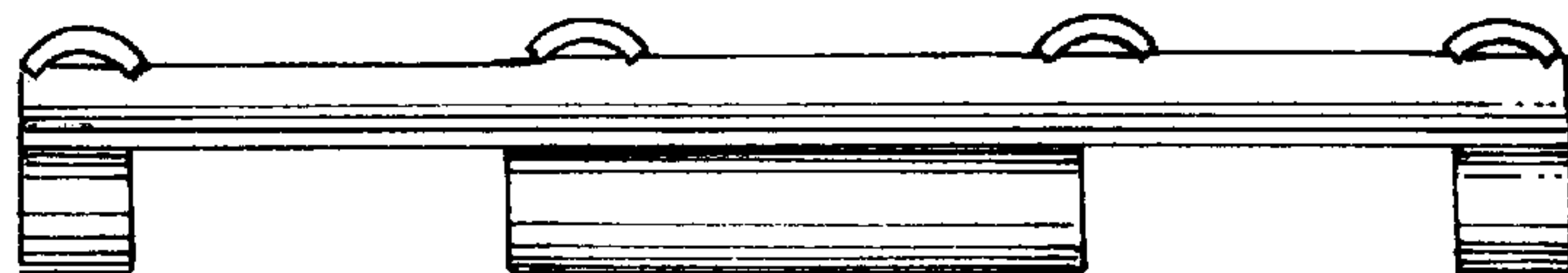


FIG. 3

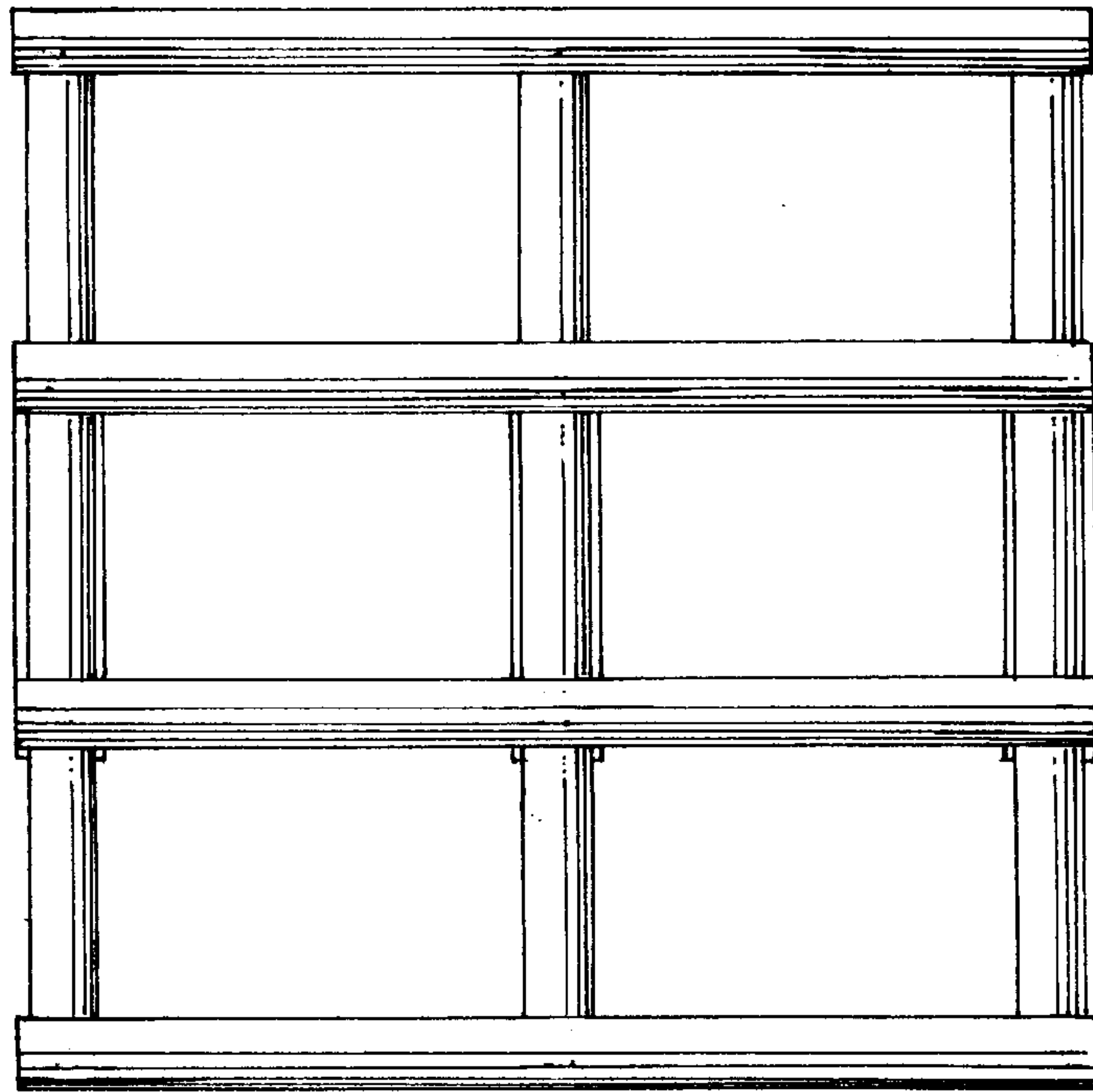


FIG. 4

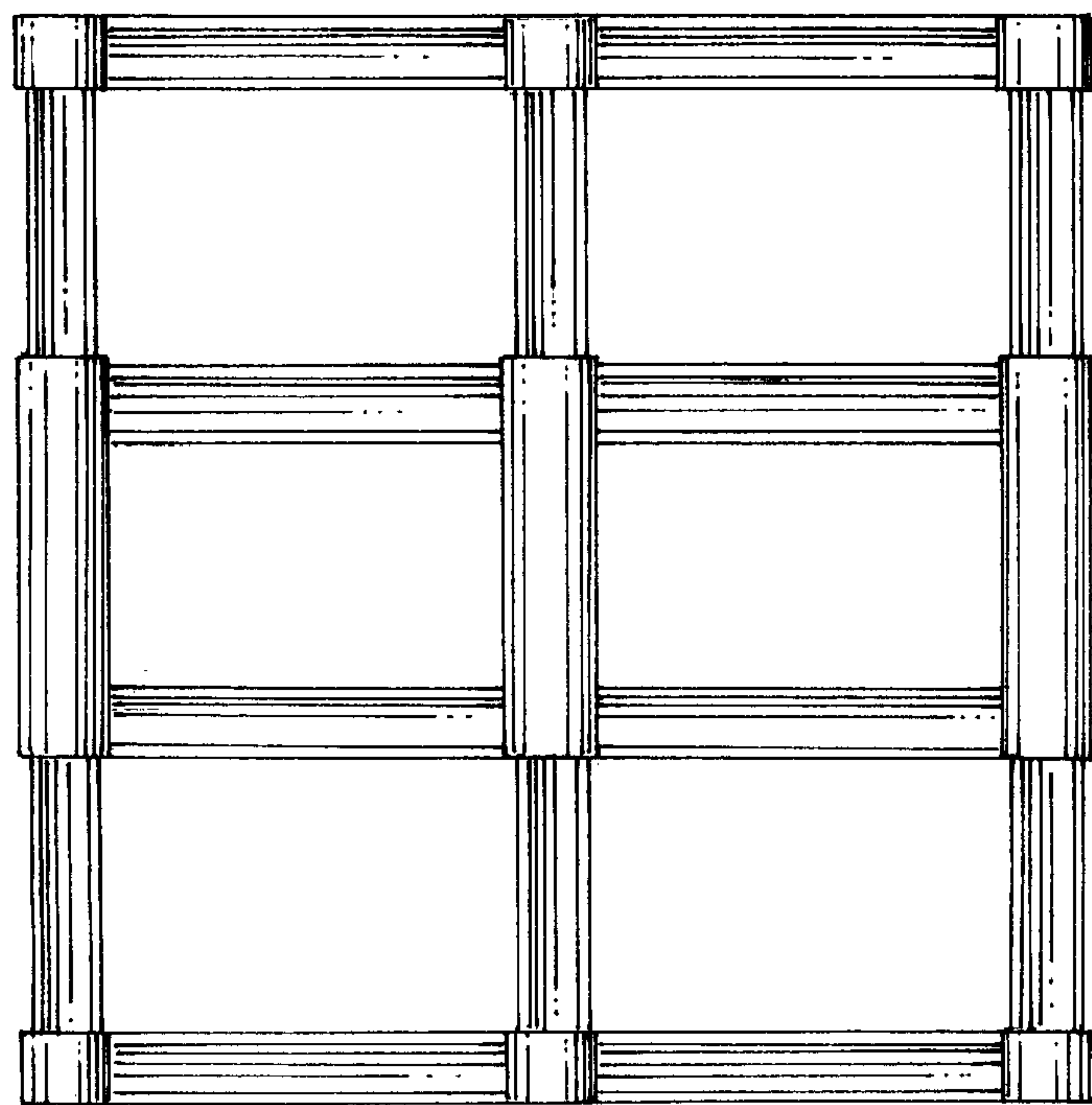


FIG. 5