



US00D419271S

United States Patent [19]

Camino et al.

[11] **Patent Number: Des. 419,271**

[45] **Date of Patent: ** Jan. 18, 2000**

[54] **CANINE CANTEEN**

D. 378,460 3/1997 Hendrikse D34/39

[76] Inventors: **Mary Lou Camino**, 8565 Ptarmigan Ct.; **Susan J. Catalano**, 8570 Ptarmigan Ct., both of Kirtland, Ohio 44094

OTHER PUBLICATIONS

R. C. Steele—Whole Sale Pet and Animal Care Supplies, Pet Travel Canteen, p. 61, Jan. 4, 1997.

[**] Term: **14 Years**

Primary Examiner—Louis S. Zarfaz
Assistant Examiner—Catherine R. Oliver
Attorney, Agent, or Firm—James A. Hudak

[21] Appl. No.: **29/100,225**

[57] CLAIM

[22] Filed: **Feb. 8, 1999**

The ornamental design for a canine canteen, as shown and described.

[51] **LOC (7) Cl.** **30-09**

[52] **U.S. Cl.** **D30/152**

[58] **Field of Search** D30/152, 153, D30/144; D3/202, 271; D34/39; 119/792, 794, 796, 860, 858, 859; D9/325

DESCRIPTION

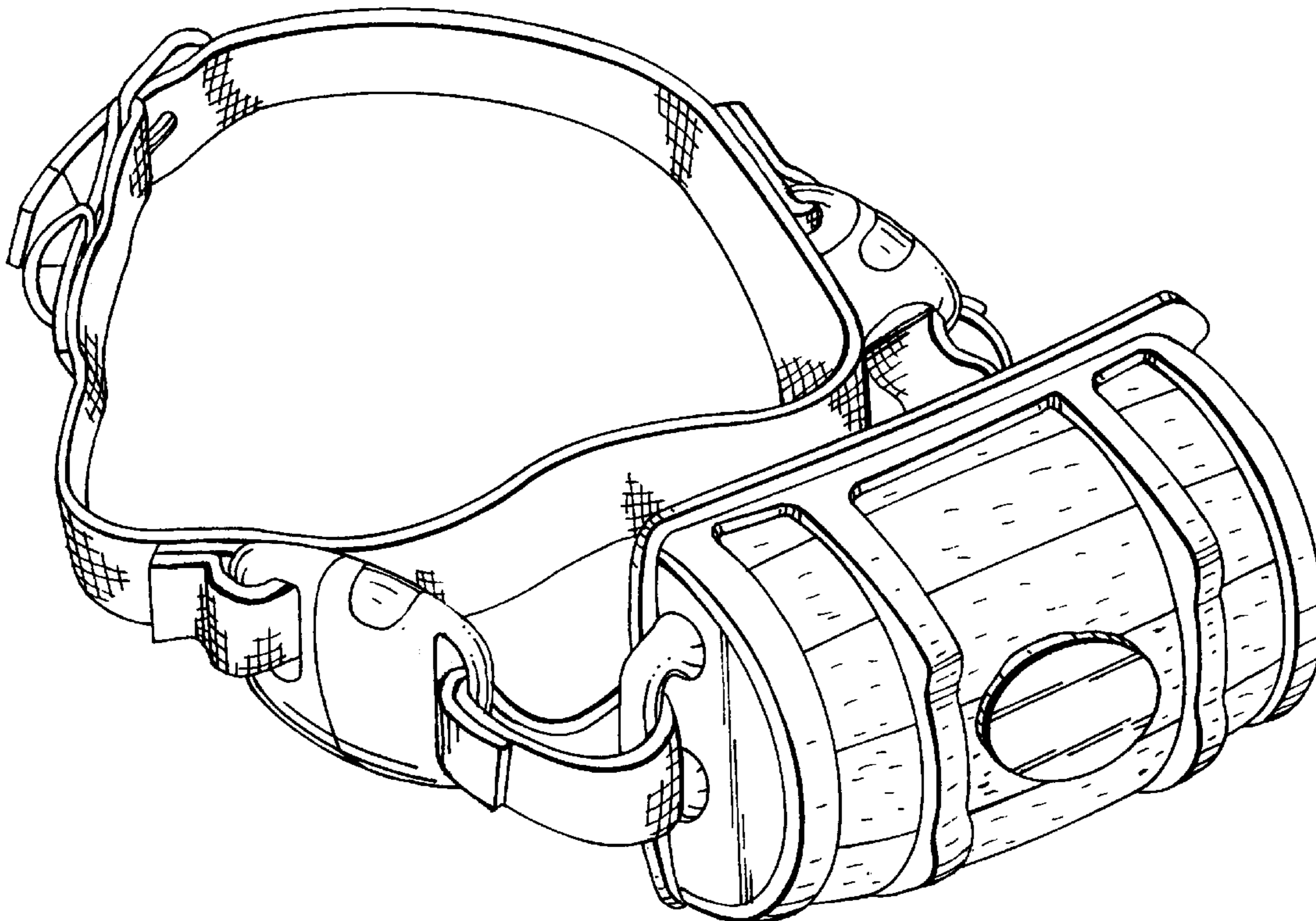
FIG. 1 is a perspective view of the canine canteen, showing our new design;
FIG. 2 is an elevated perspective view thereof;
FIG. 3 is a top plan view thereof;
FIG. 4 is a front elevational view thereof;
FIG. 5 is a bottom plan view thereof;
FIG. 6 is a rear elevational view thereof;
FIG. 7 is a right side elevational view thereof; and,
FIG. 8 is a left side elevational view thereof.

[56] References Cited

U.S. PATENT DOCUMENTS

- D. 216,897 3/1970 Meath D30/153
- D. 225,310 12/1972 McClain D34/39
- D. 228,489 10/1973 Mascia D9/325
- D. 269,301 6/1983 Deibert D30/153
- D. 372,564 8/1996 Casey D30/152

1 Claim, 5 Drawing Sheets



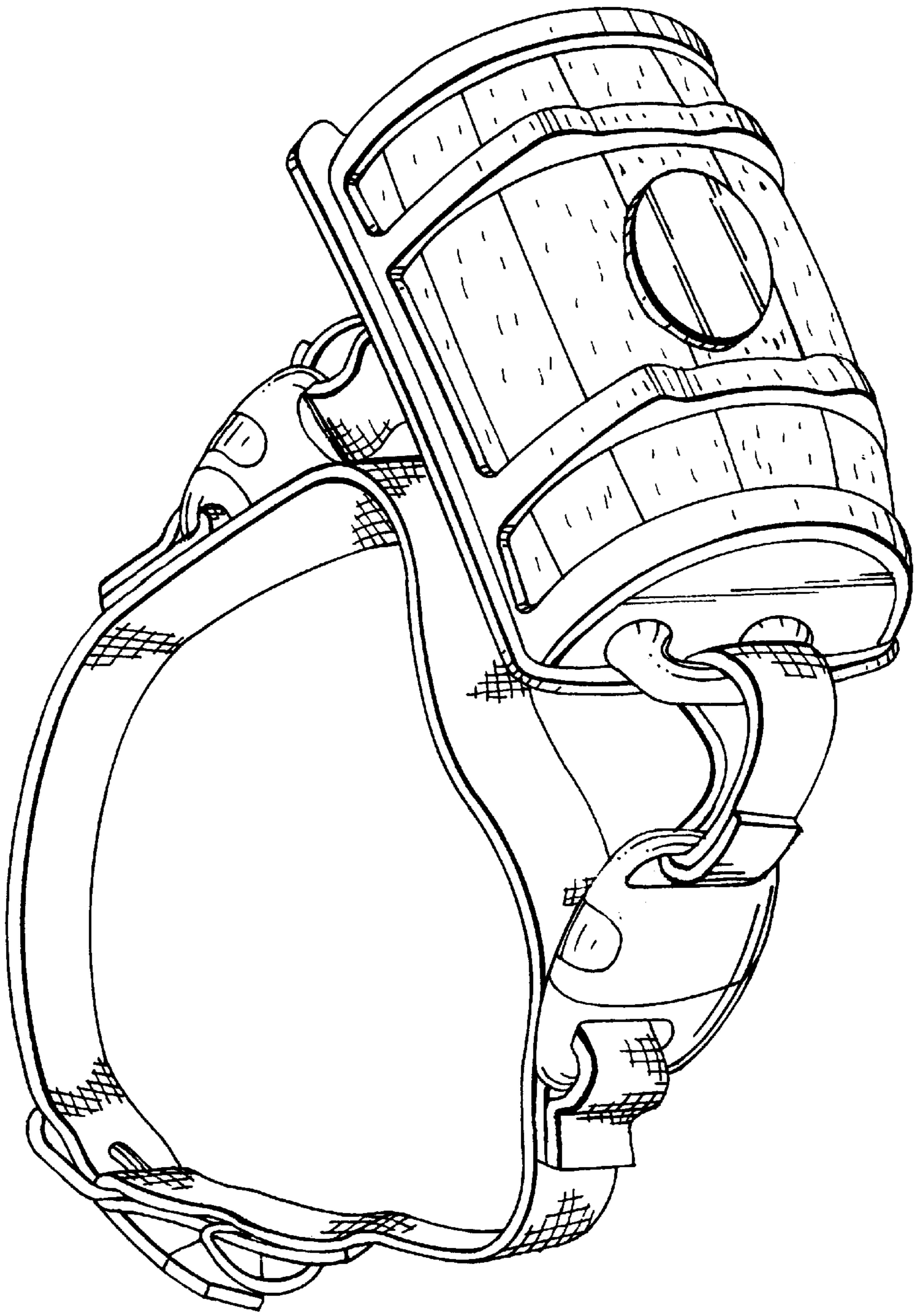


Fig. 1

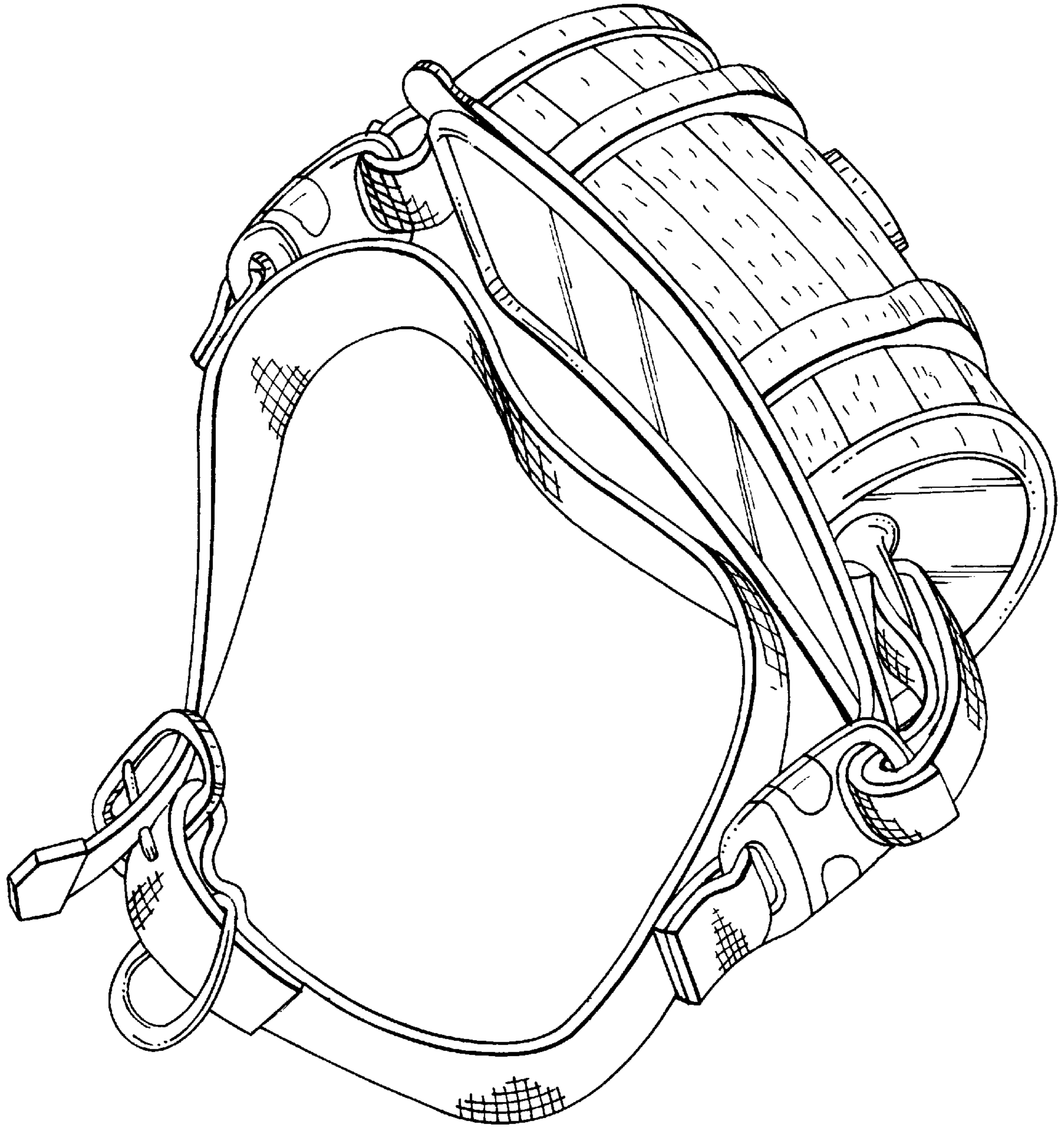


Fig. 2

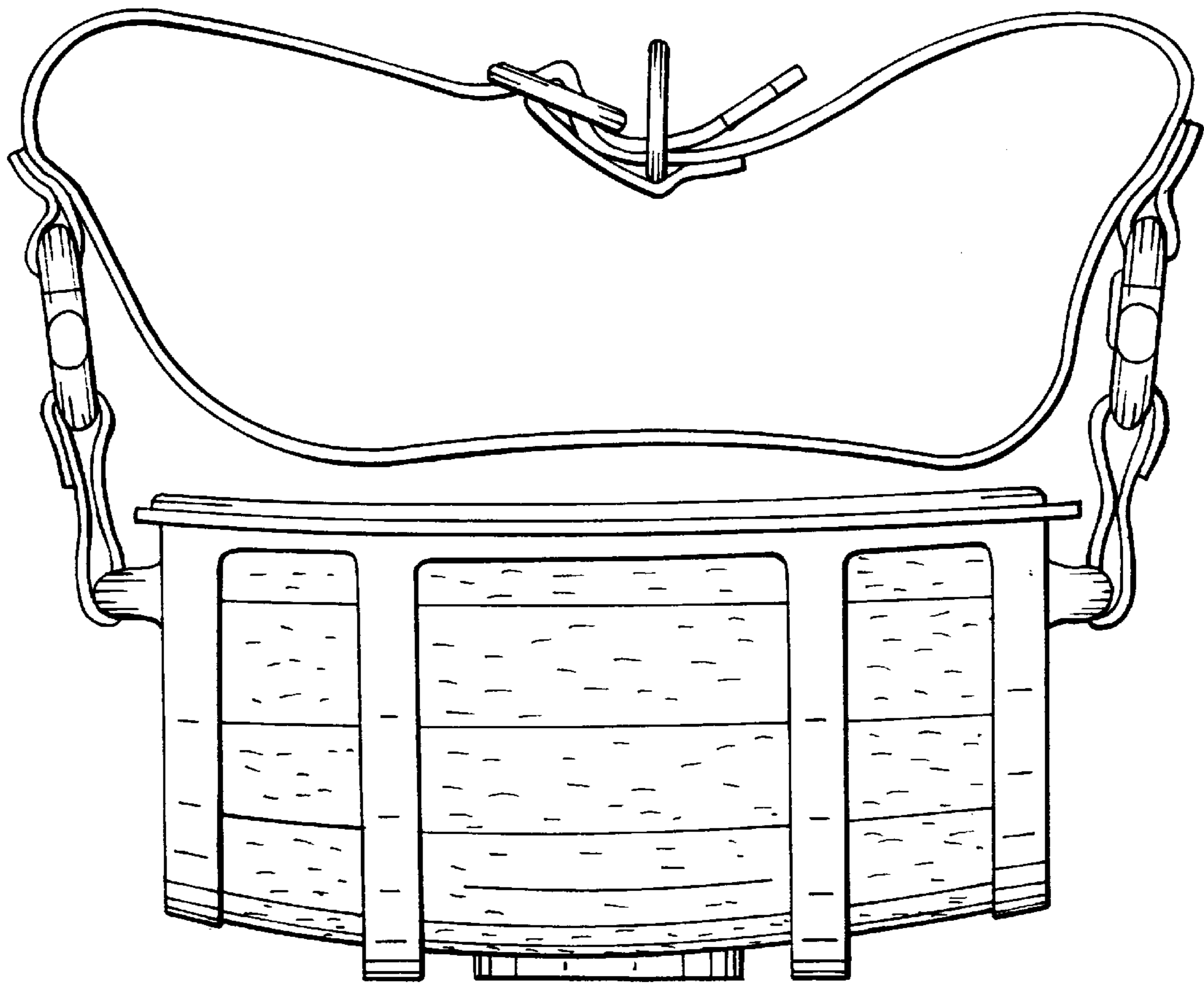


Fig. 3

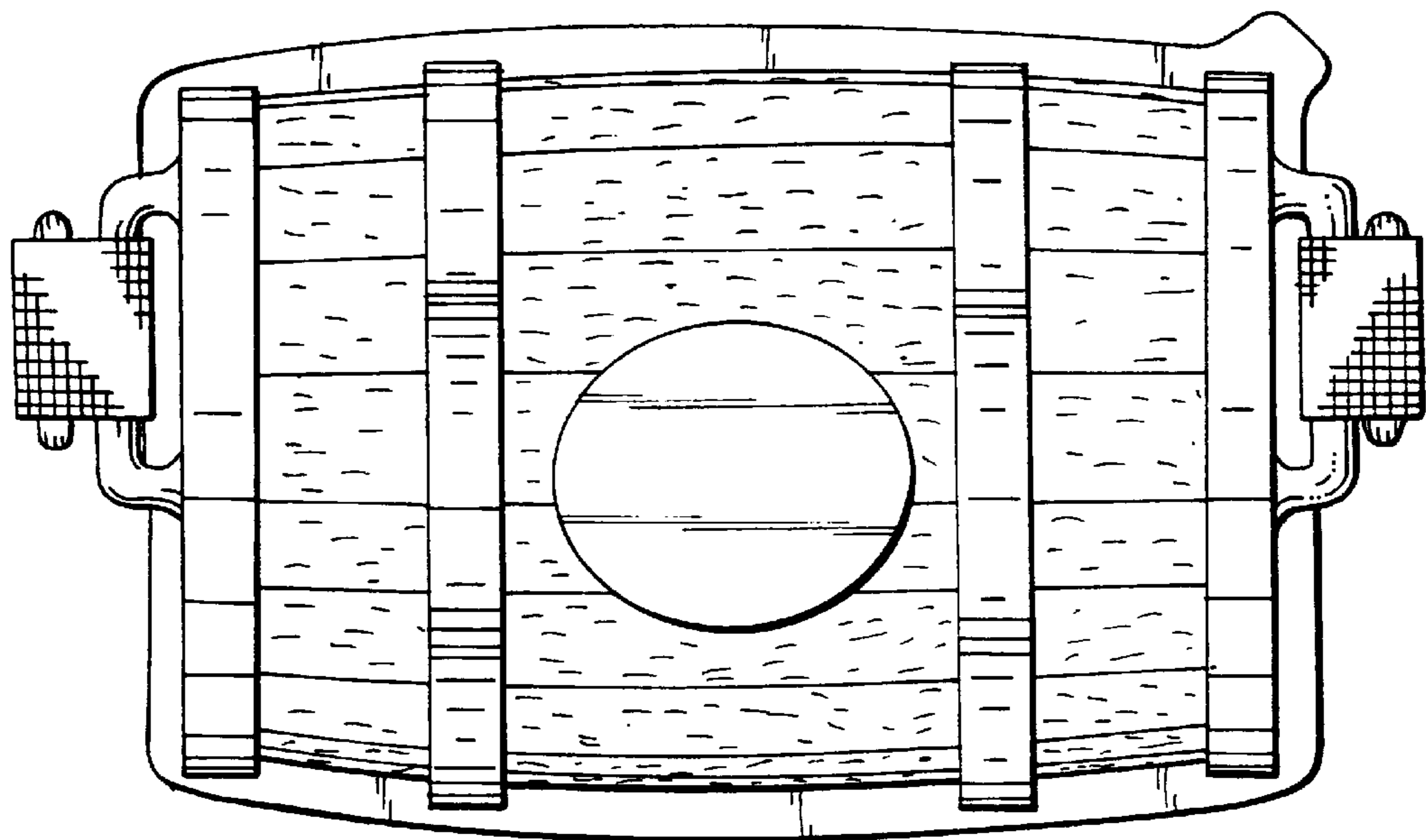


Fig. 4

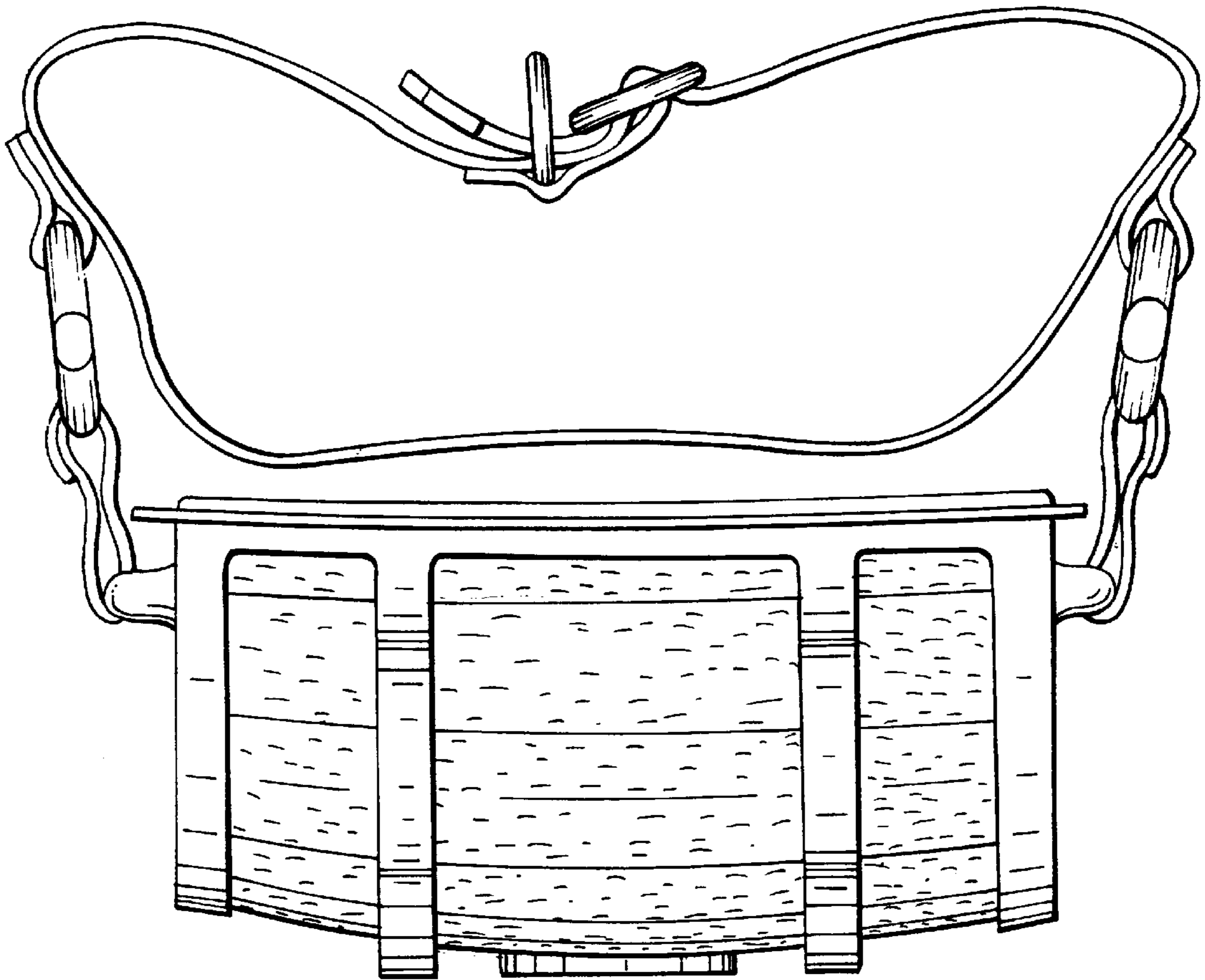


Fig. 5

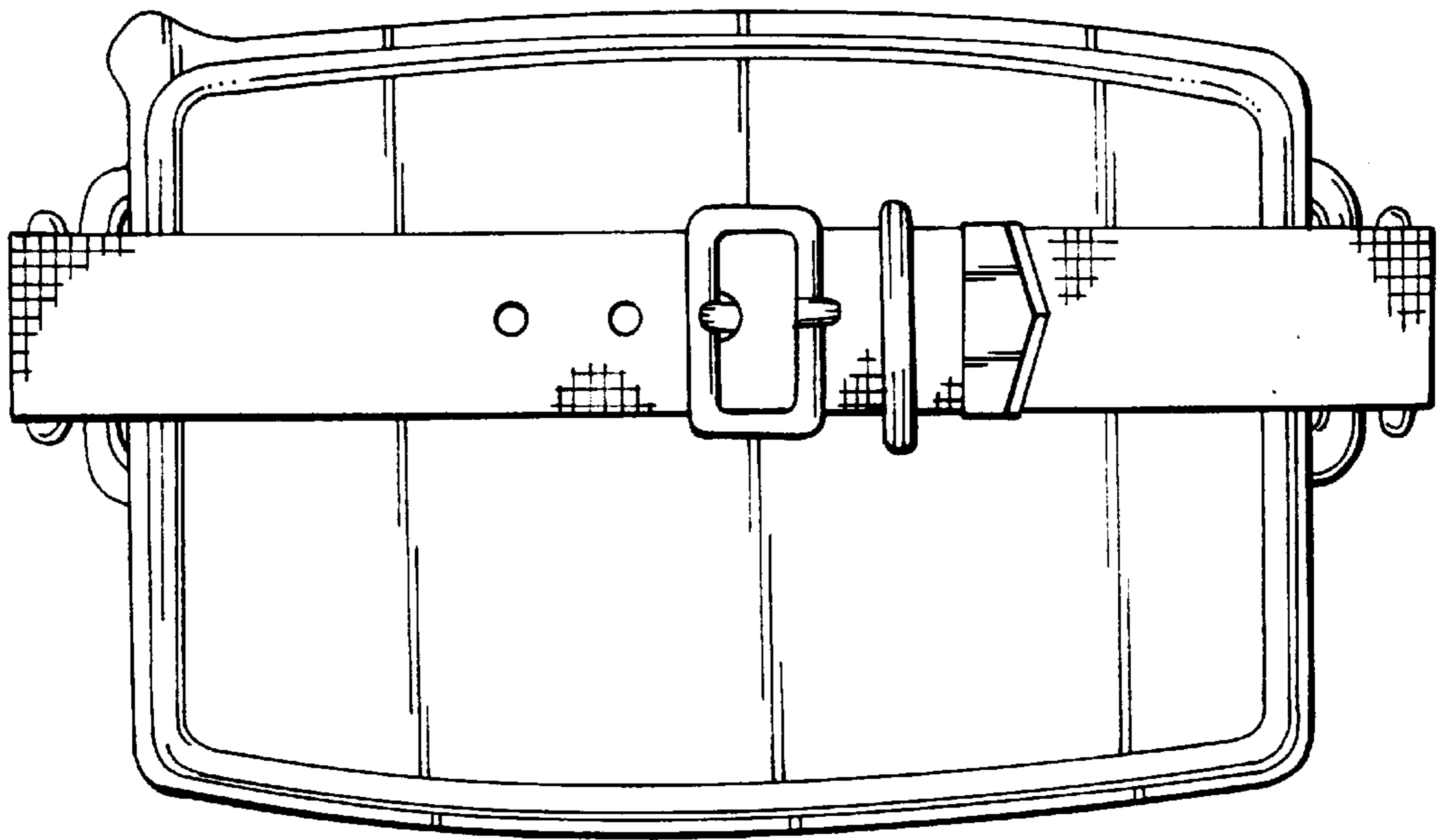


Fig. 6

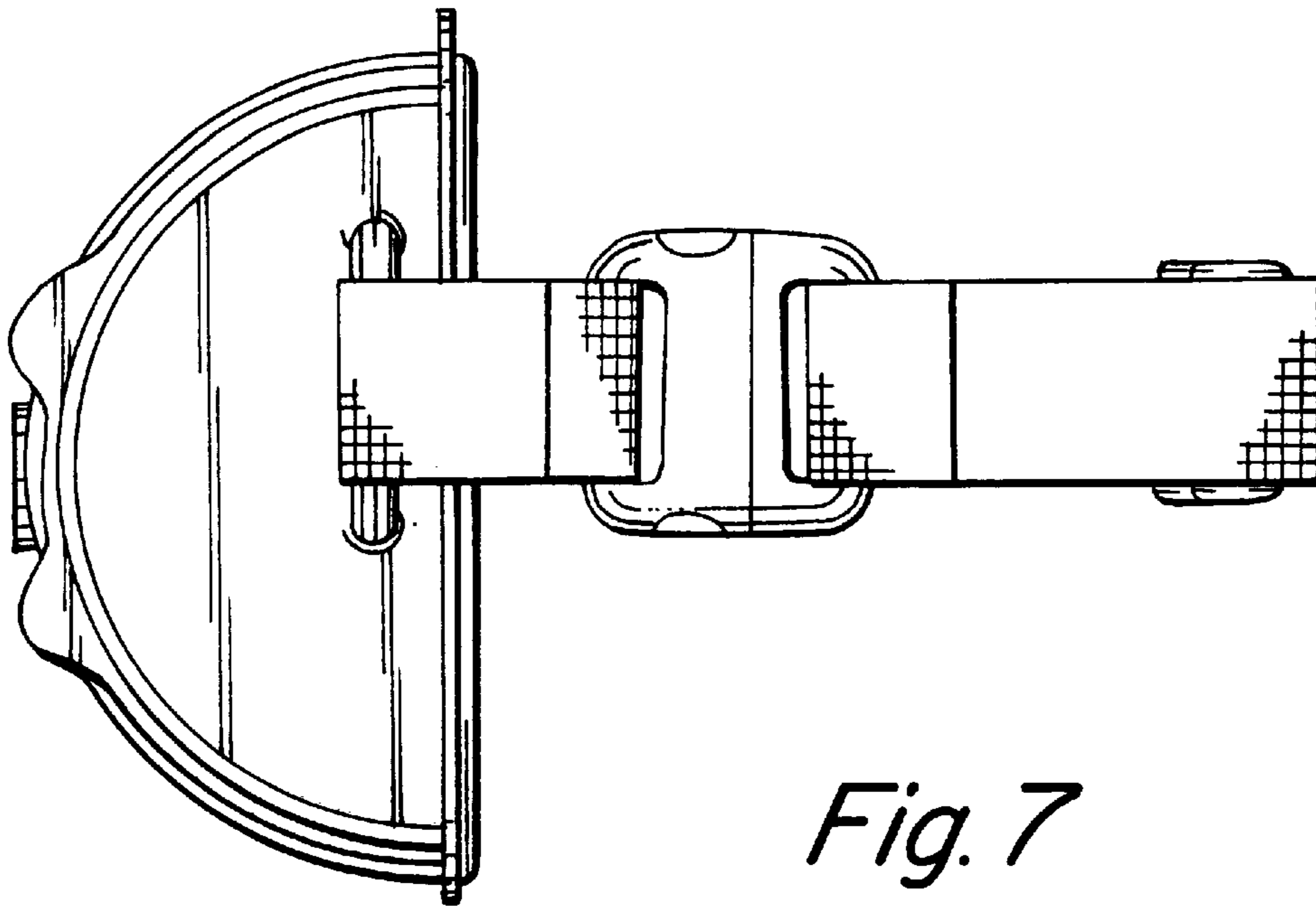


Fig. 7

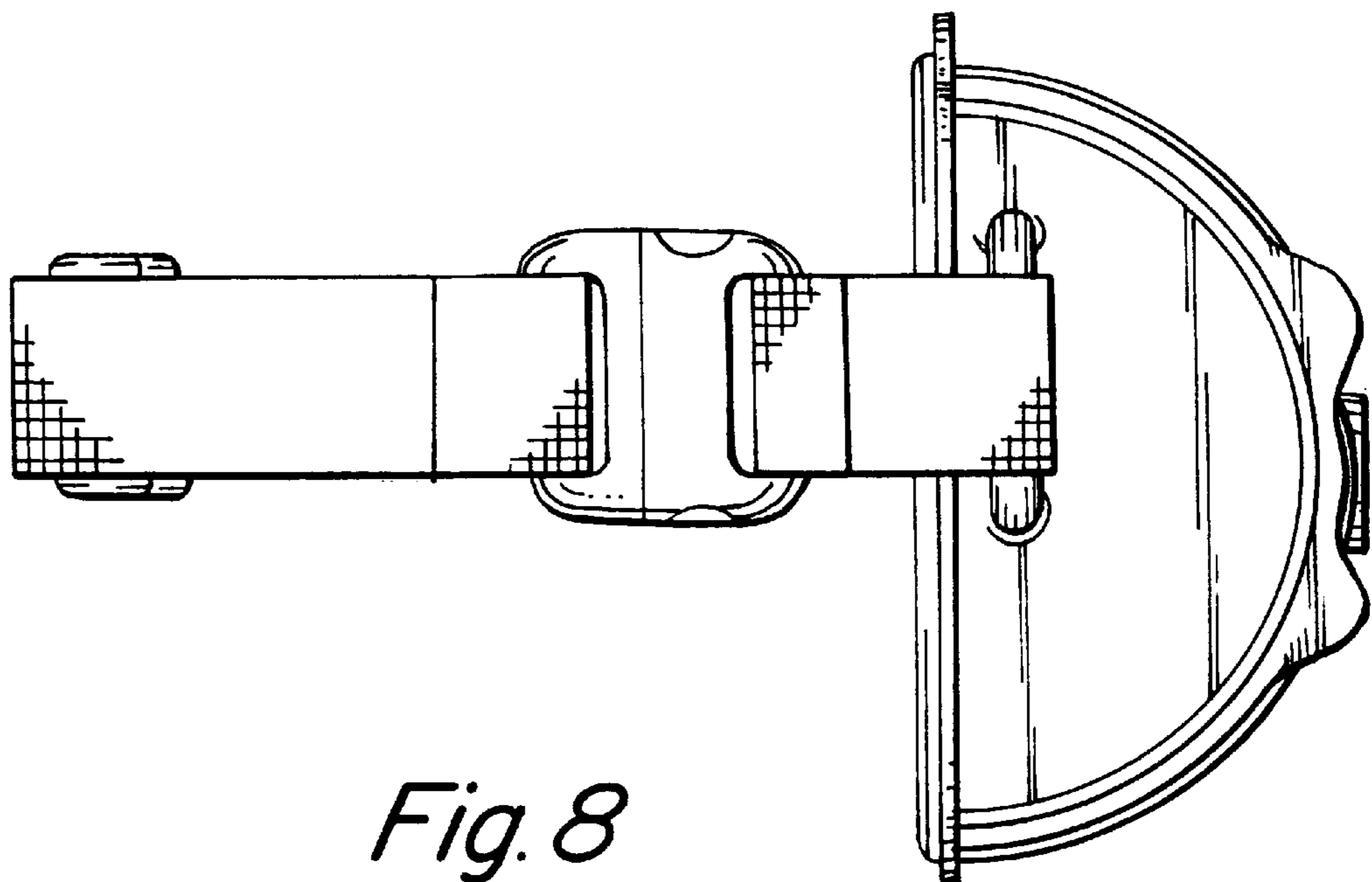


Fig. 8