



US00D419268S

United States Patent [19] Frank

[11] **Patent Number: Des. 419,268**

[45] **Date of Patent: ** Jan. 18, 2000**

[54] **TOP FOR BIRD CAGE**

[75] Inventor: **Carol E. Frank**, Dallas, Tex.

[73] Assignee: **Avian Adventures, Inc.**, Dallas, Tex.

[**] Term: **14 Years**

[21] Appl. No.: **29/097,021**

[22] Filed: **Nov. 25, 1998**

[51] **LOC (7) Cl.** **30-02**

[52] **U.S. Cl.** **D30/119**

[58] **Field of Search** D30/108, 110,
D30/111, 112, 114, 116, 118, 119; 119/452,
453, 459, 461, 472, 537

[56] **References Cited**

U.S. PATENT DOCUMENTS

D. 153,272	4/1949	Fornier	D30/119
D. 180,914	9/1957	Otis	D30/119
D. 183,655	10/1958	Hansen	D30/119
D. 298,577	11/1988	Faxon	D30/108
D. 377,546	1/1997	King	D30/119
D. 386,833	11/1997	King	D30/119

OTHER PUBLICATIONS

Fritz—Parrot and Cockatiel Cages, 10322 Brass Cage With Play Top, Sep. 1992.

Primary Examiner—Doris Clark
Assistant Examiner—Catherine R. Oliver
Attorney, Agent, or Firm—John A. Thomas

[57] **CLAIM**

The ornamental design of a top for bird cage, as shown and described.

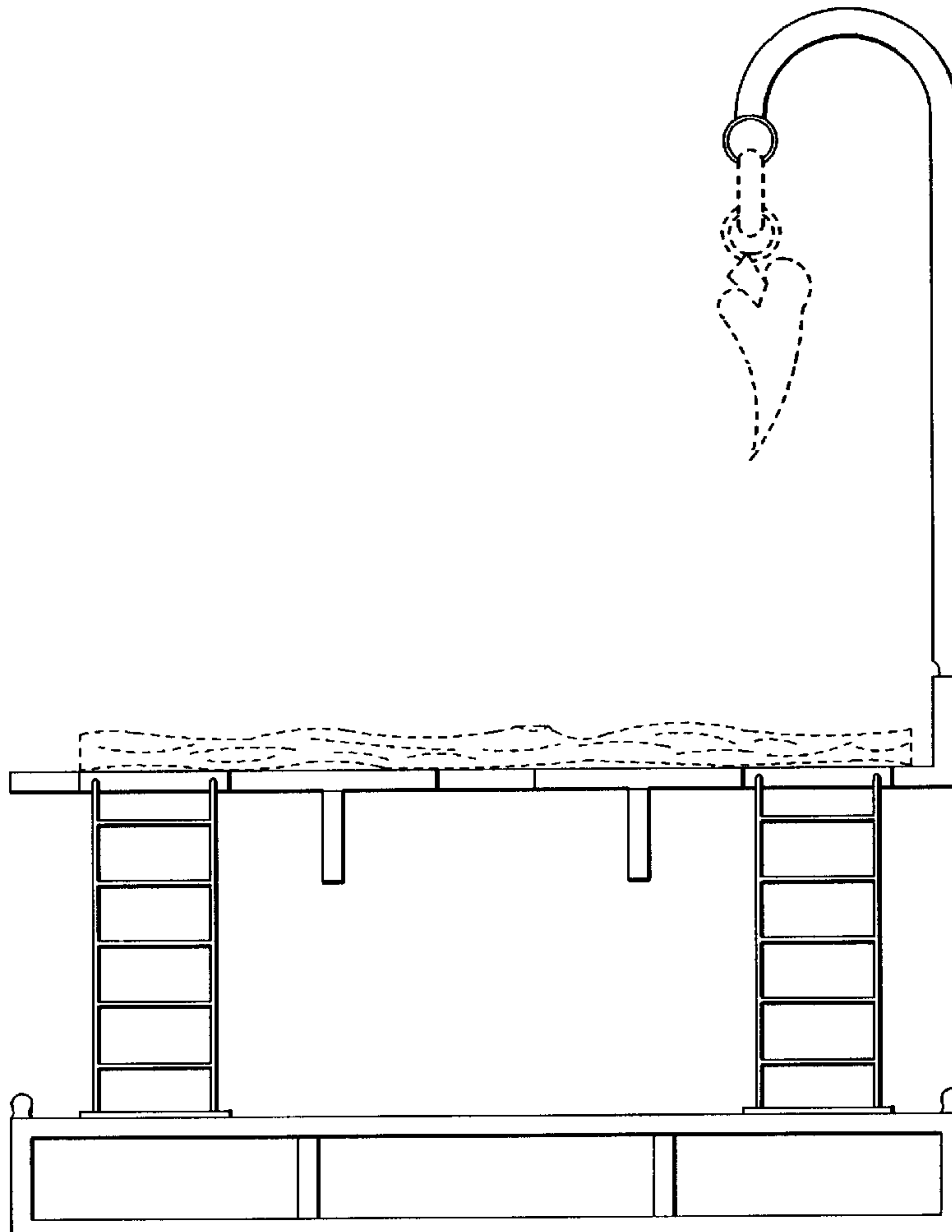
DESCRIPTION

FIG. 1 is a front elevational view of the top for bird cage; FIG. 2 is a rear elevational view of the top for bird cage; FIG. 3 is a left side elevational view of the top for bird cage; FIG. 4 is a right side elevational view of the top for bird cage;

FIG. 5 is a top plan view of the top for bird cage; and, FIG. 6 is a bottom plan view of the top for bird cage.

The broken lines showing toys for a bird are illustrative of environmental structure only and form no part of the claimed design.

1 Claim, 6 Drawing Sheets



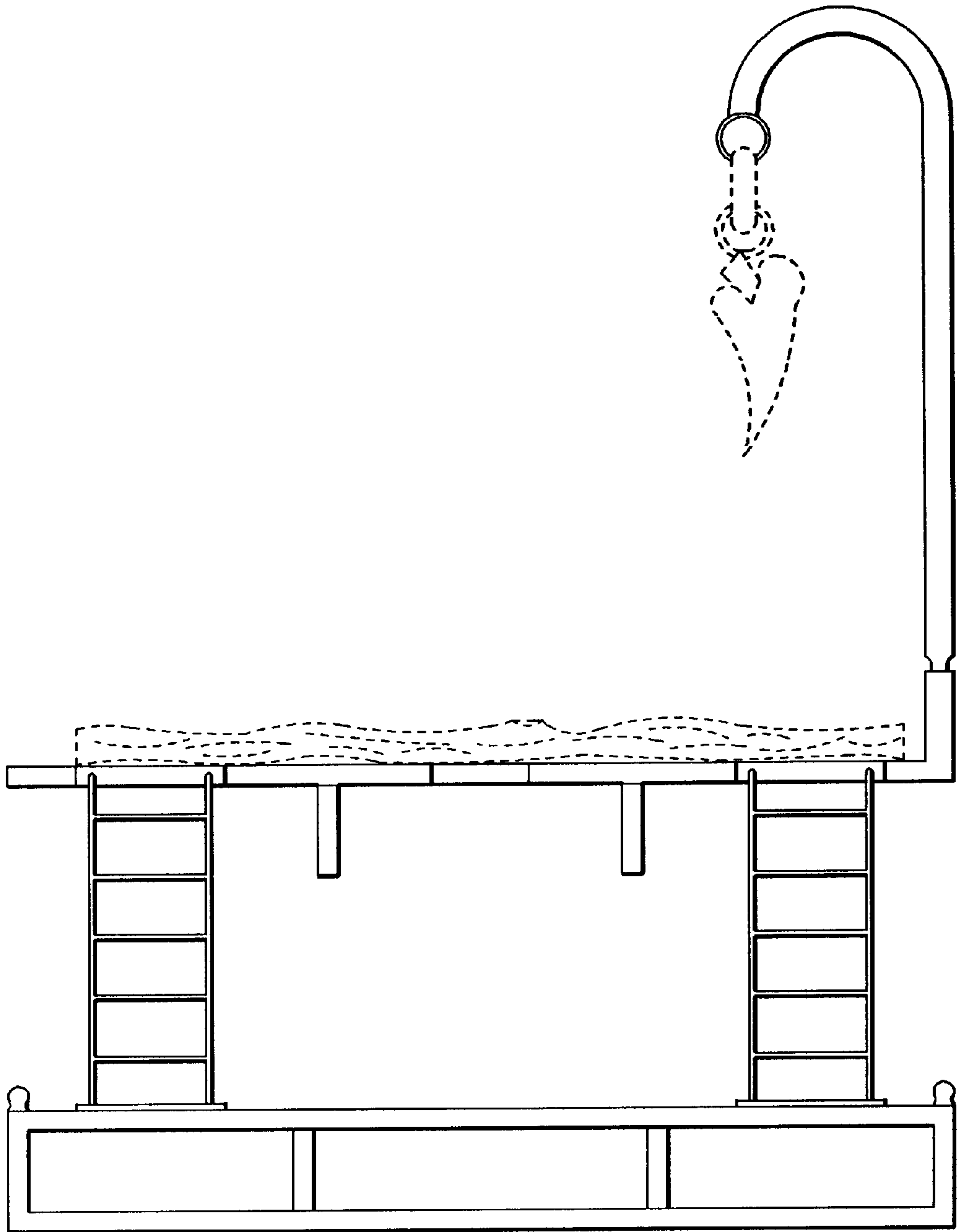


Fig. 1

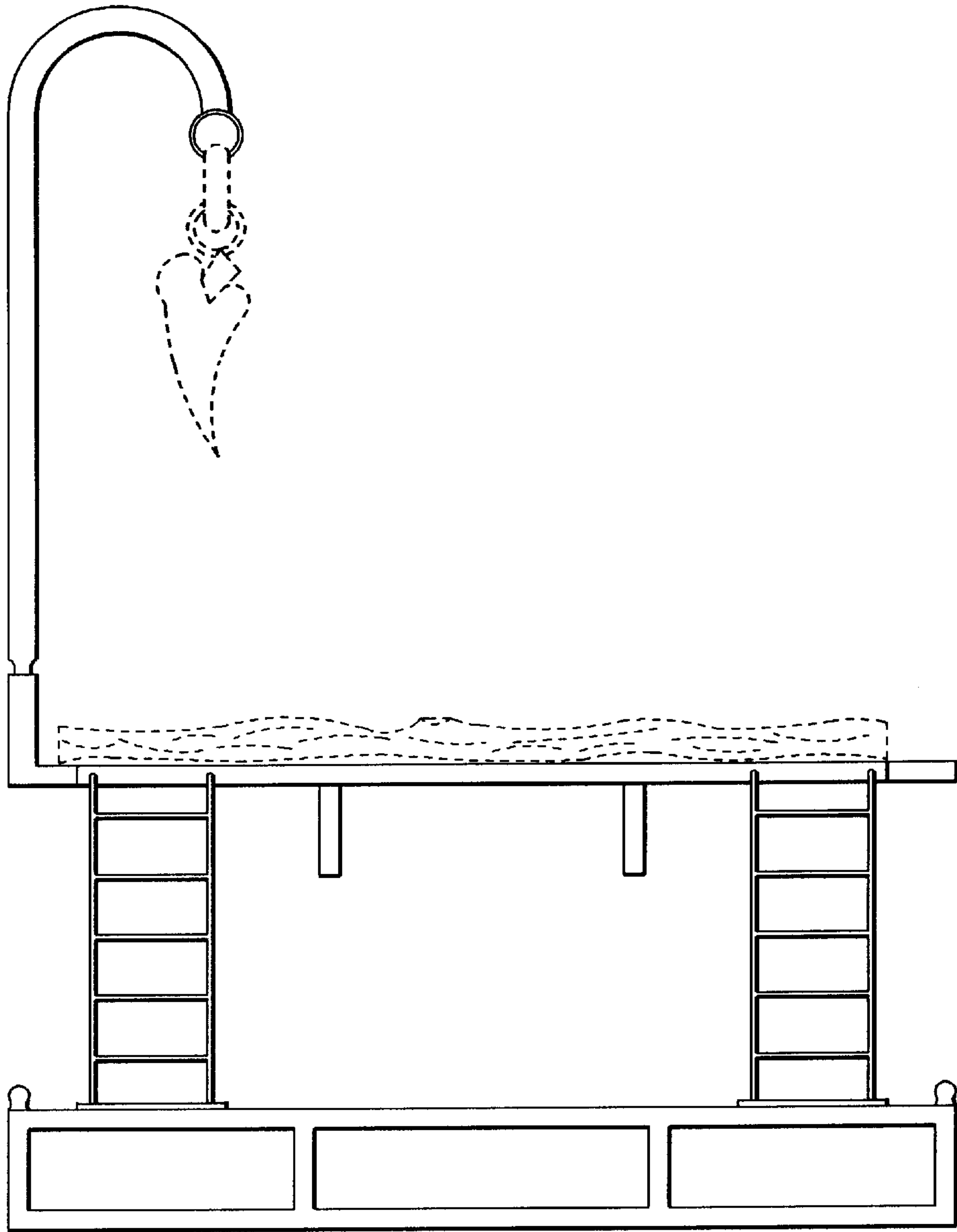


Fig. 2

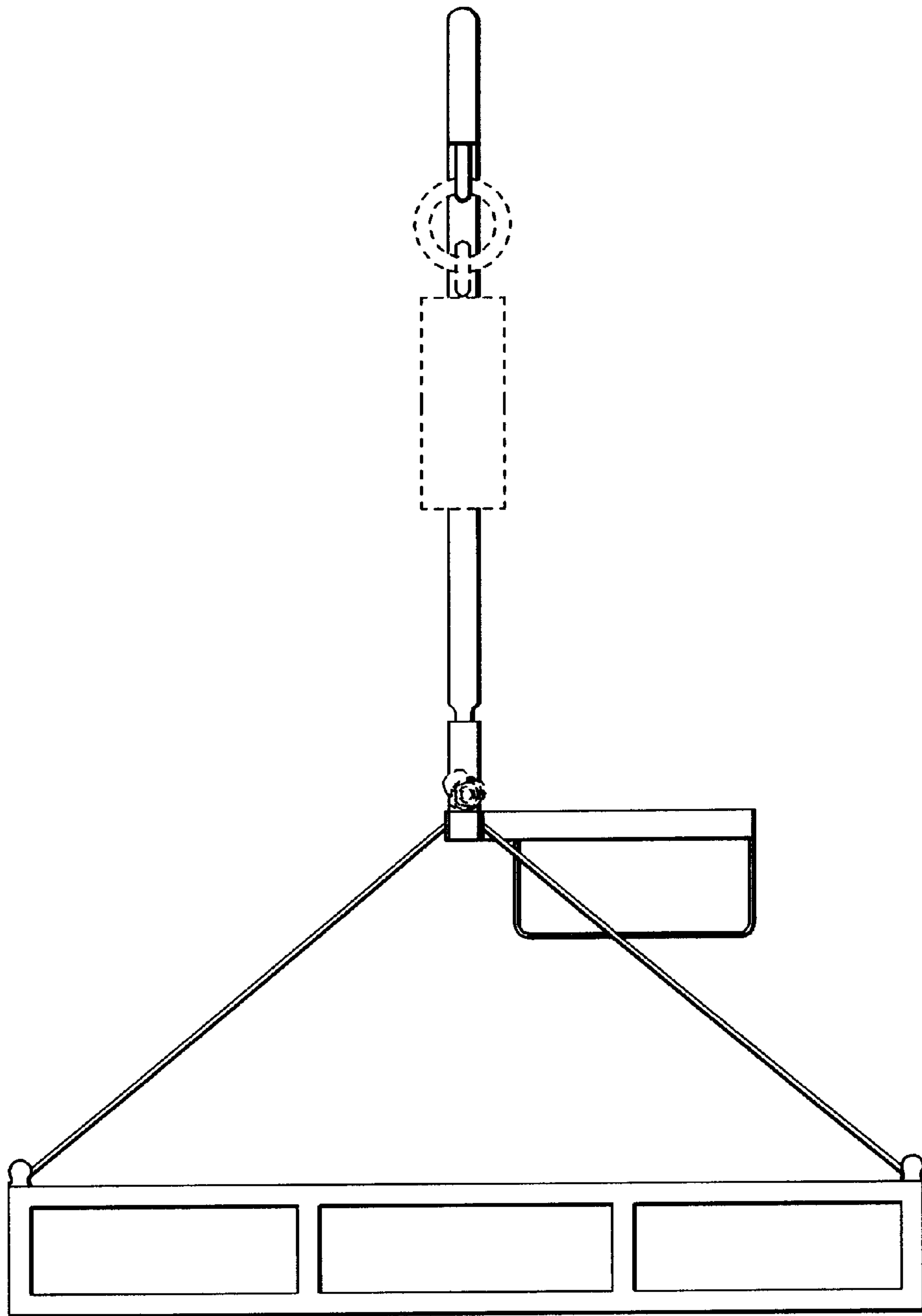


Fig. 3

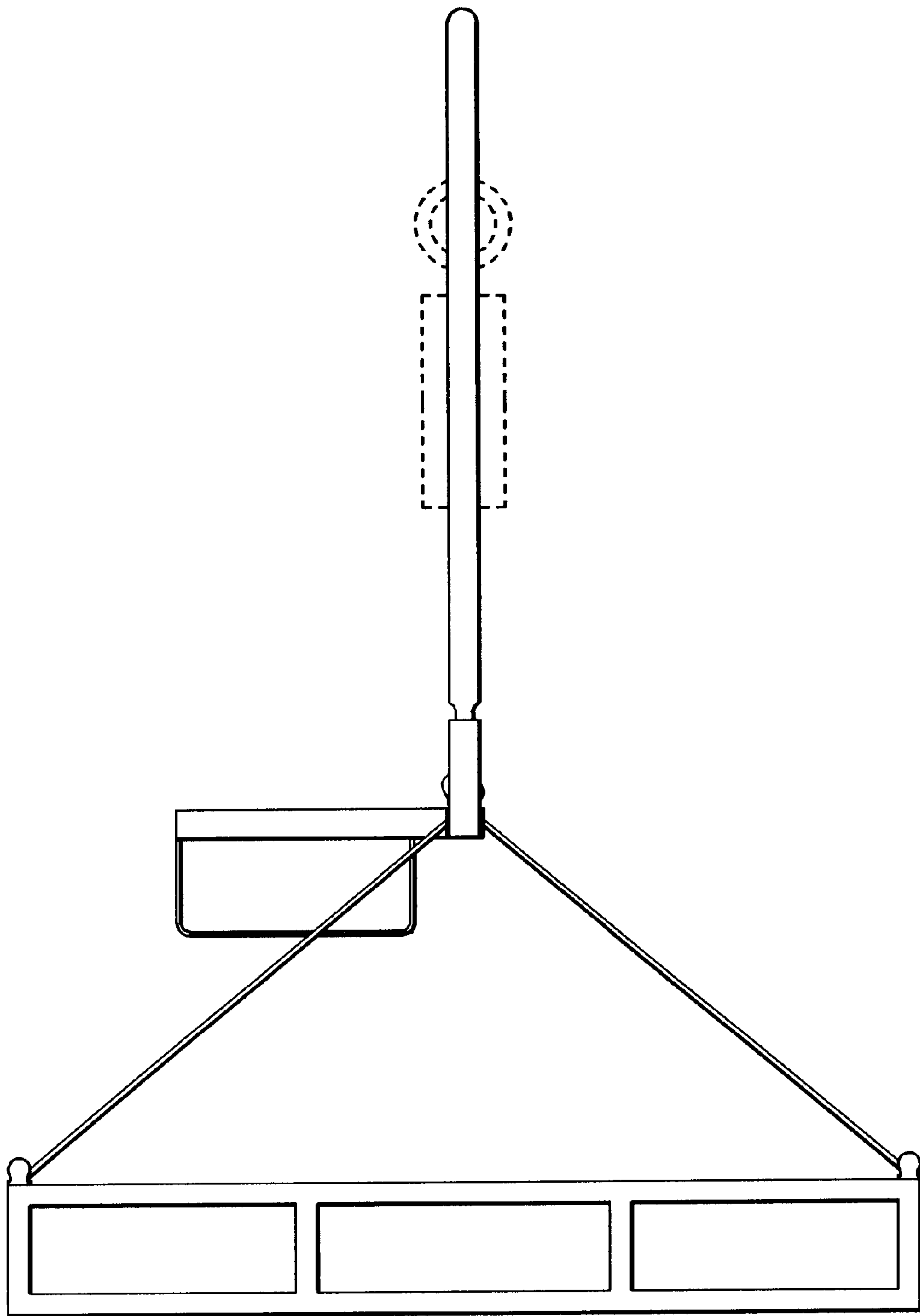


Fig. 4

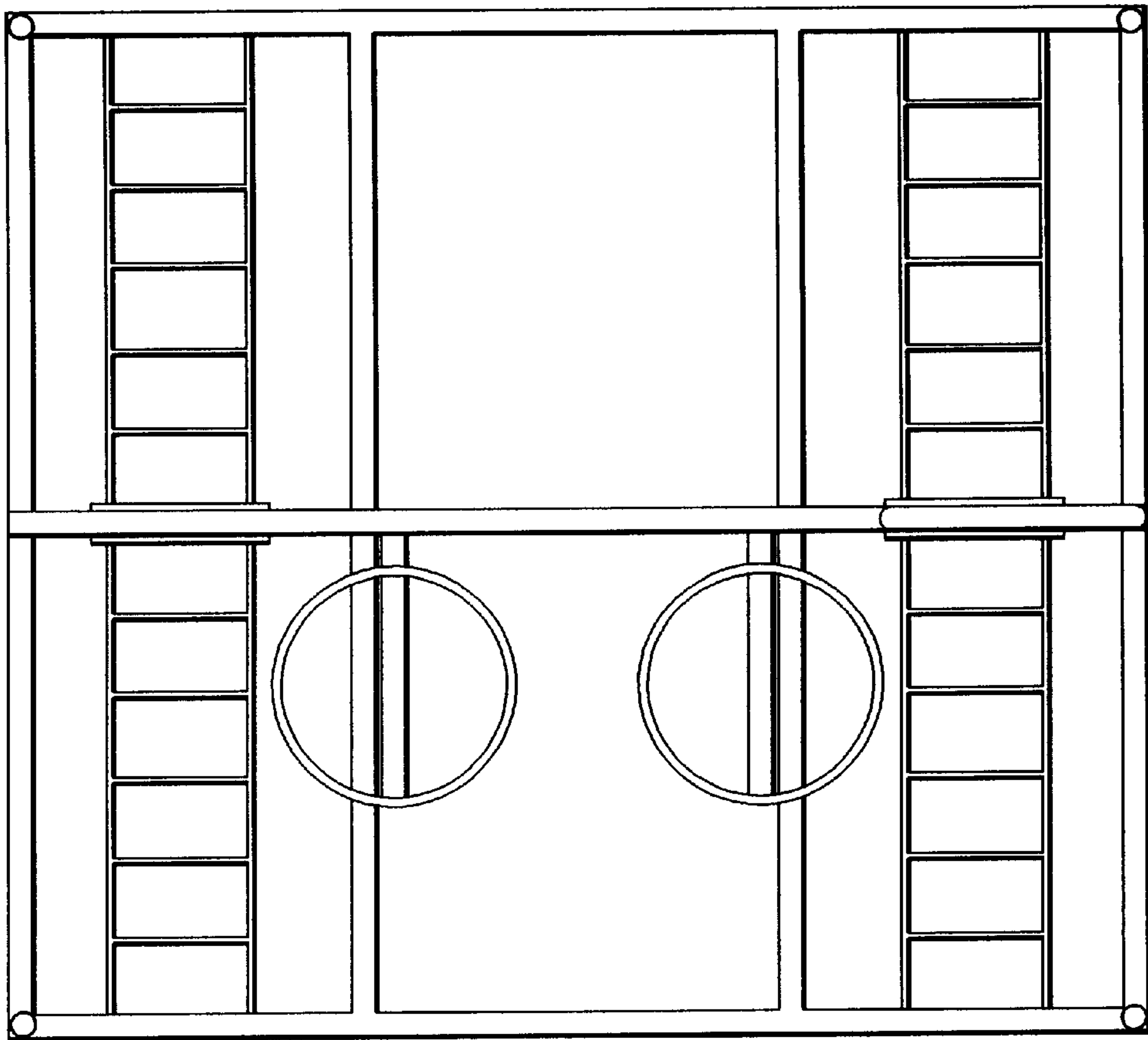


Fig. 5

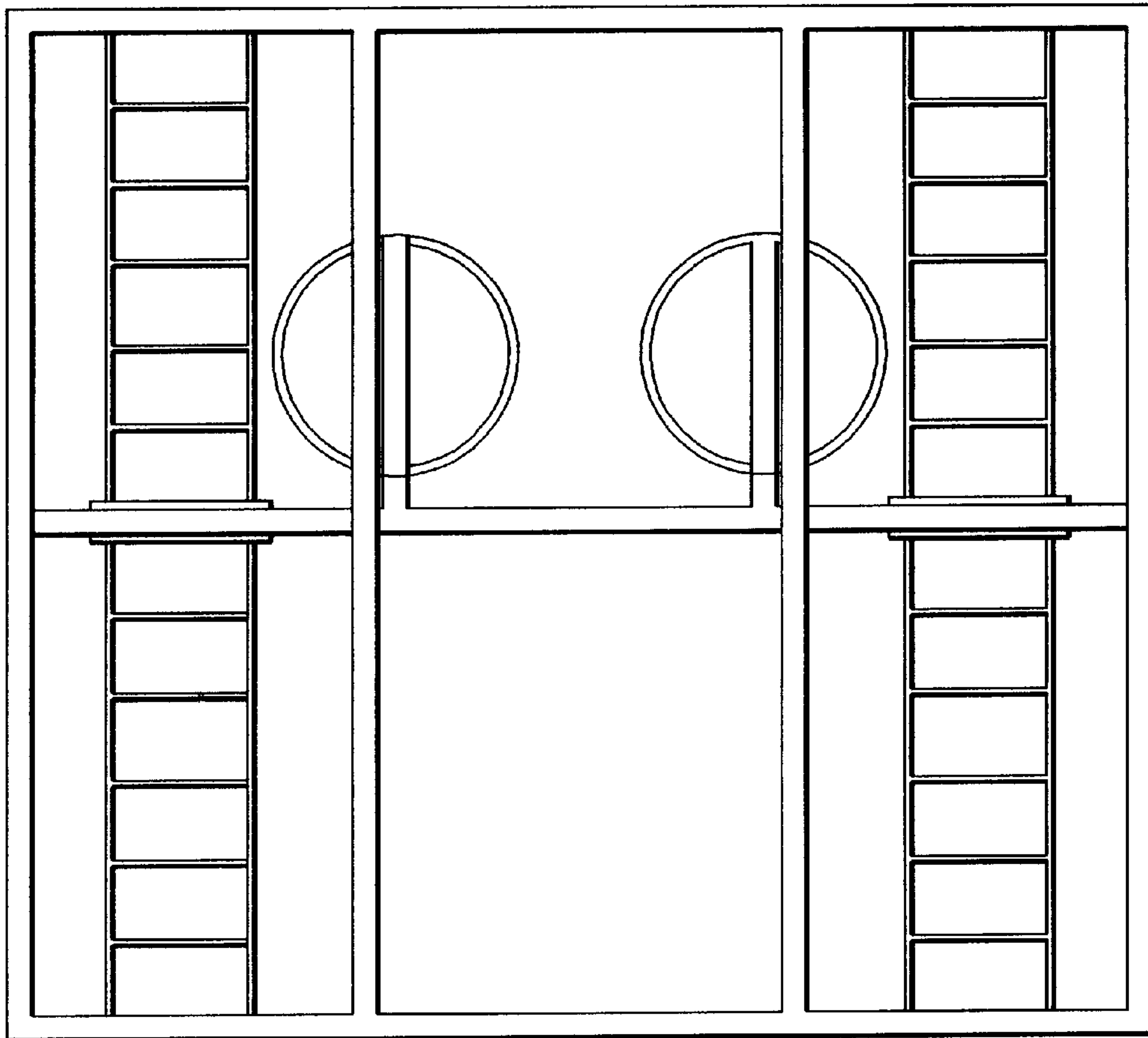


Fig. 6