



US00D419265S

# United States Patent [19] Gray

[11] **Patent Number: Des. 419,265**  
[45] **Date of Patent: \*\* Jan. 18, 2000**

[54] **GRIPPING ELEMENT FOR A RAZOR HANDLE**

[75] Inventor: **Michael John Gray**, Duxbury, Mass.

[73] Assignee: **The Gillette Company**, Boston, Mass.

[\*\*] Term: **14 Years**

[21] Appl. No.: **29/049,154**

[22] Filed: **Jan. 18, 1996**

### Related U.S. Application Data

[63] Continuation-in-part of application No. 29/035,224, Feb. 15, 1995, which is a continuation of application No. 07/948,970, Sep. 17, 1992, abandoned.

[51] **LOC (7) Cl. .... 28-03**

[52] **U.S. Cl. .... D28/48; D8/DIG. 7**

[58] **Field of Search** ..... D28/46, 48; D8/107, D8/DIG. 7, 82, 45, 47, 75-77, 80, 83, 303, 312, DIG. 2-6, DIG. 8, DIG. 9; 30/526, 32, 34.2, 35-40, 40.1, 40.2, 41, 41.5-41.9, 42, 44, 45-60, 60.5, 61-73, 527, 529-535; D4/104, 138; D7/664, 649, 393, 395; D24/146, 147, 149, 152, 154; 16/DIG. 12, DIG. 18, DIG. 19

### [56] References Cited

#### U.S. PATENT DOCUMENTS

D. 77,989	3/1929	Tillmanns	.....	D8/DIG. 5 X
D. 78,258	4/1929	Bowen	.....	D4/104
D. 152,155	12/1948	Jacoff	.....	D8/82
D. 172,252	5/1954	Shnitzler	.....	D28/48
D. 248,821	8/1978	Poe	.....	D8/107

D. 307,333	4/1990	Ferraro et al.	.....	D28/46
D. 335,722	5/1993	Gray	.....	D28/48
D. 337,022	7/1993	Sheets	.....	D7/649 X
1,033,321	7/1912	Hiskey	.....	30/41.5
1,995,232	3/1935	Tipery	.....	D28/46 X
2,370,815	3/1945	Ross	.....	30/74
2,392,887	1/1946	Steinhauer	.....	D28/46 X
2,900,721	8/1959	Nissen	.....	30/60.5
5,027,511	7/1991	Miller	.....	30/526
5,440,808	8/1995	Wexler	.....	D28/46 X

*Primary Examiner*—Ted Shooman  
*Assistant Examiner*—C Tuttle  
*Attorney, Agent, or Firm*—Chester Cekala

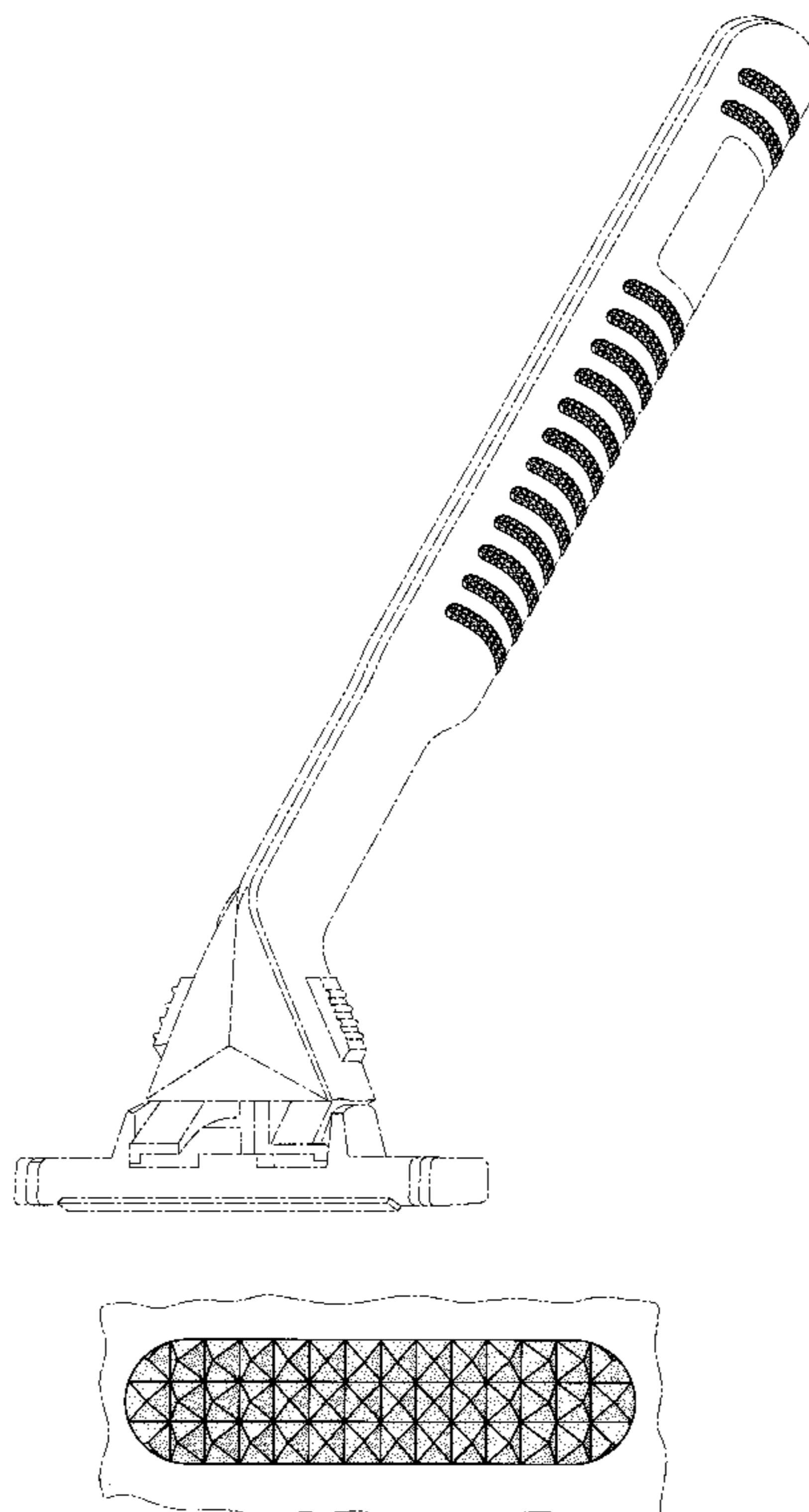
### [57] CLAIM

The ornamental design for a gripping element for a razor handle, as shown and described.

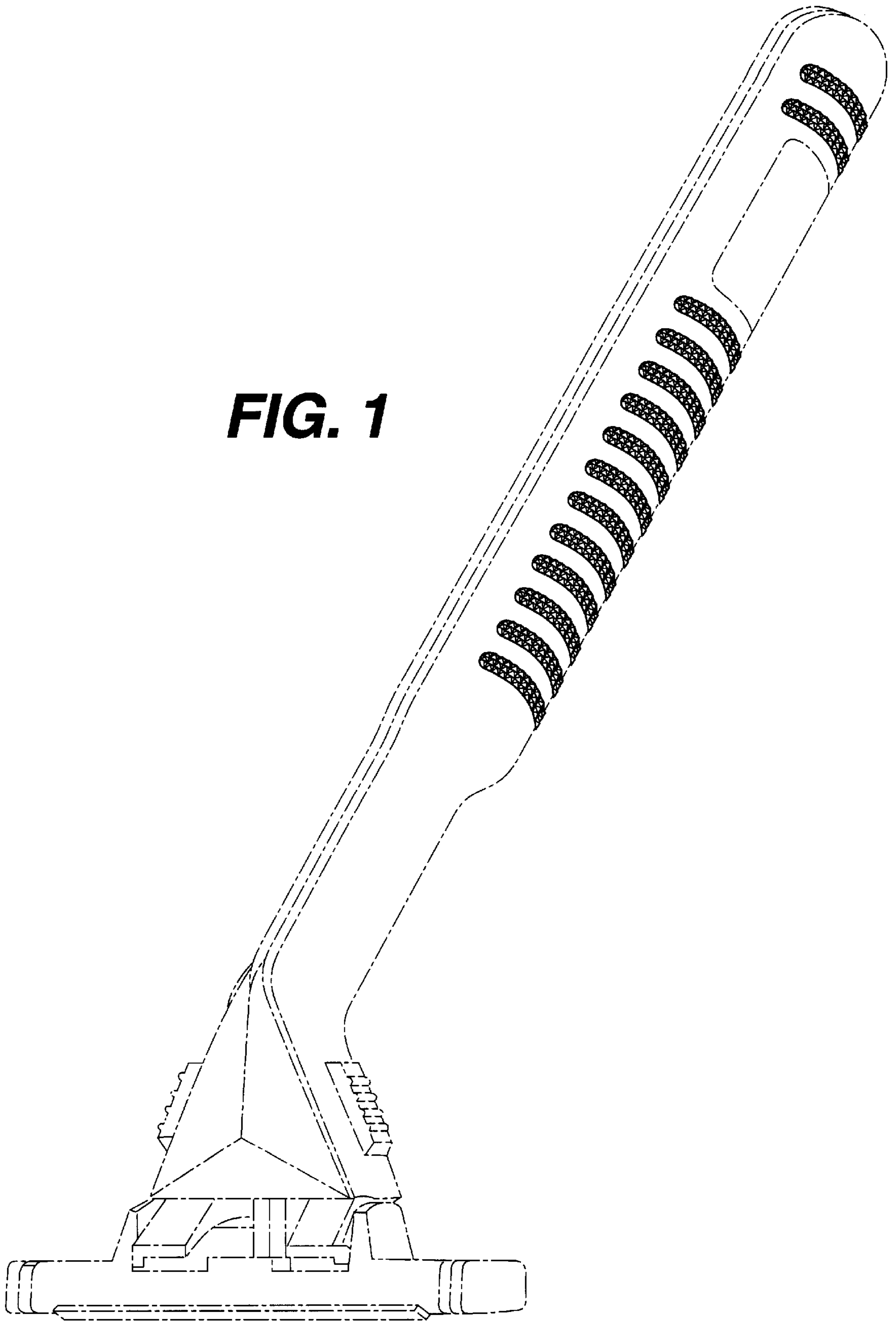
### DESCRIPTION

FIG. 1 is a perspective view showing my new design for a gripping element for a razor handle applied to a razor assembly shown in broken lines;  
FIG. 2 is a side elevational view thereof, the opposite side being a mirror image;  
FIG. 3 is a front elevational view thereof, the rear elevation being a mirror image;  
FIG. 4 is a bottom plan view thereof, the top view of the design appearing the same;  
FIG. 5 is a front view of one of the gripping elements shown separately and on an enlarged scale for clarity of illustration;  
FIG. 6 is a bottom plan view thereof; and,  
FIG. 7 is a side elevational view thereof.  
The broken line showing of the razor is for illustrative purposes only and forms no part of the claimed design.

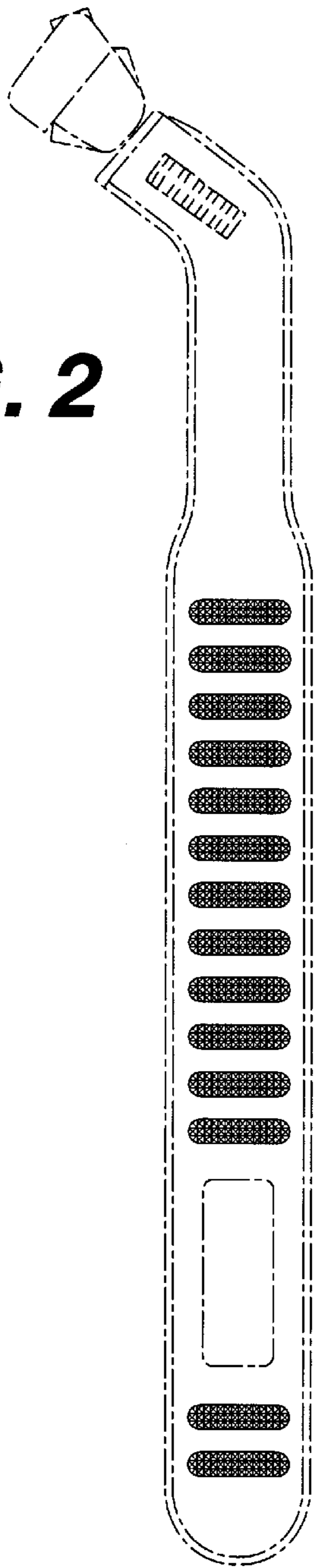
**1 Claim, 3 Drawing Sheets**



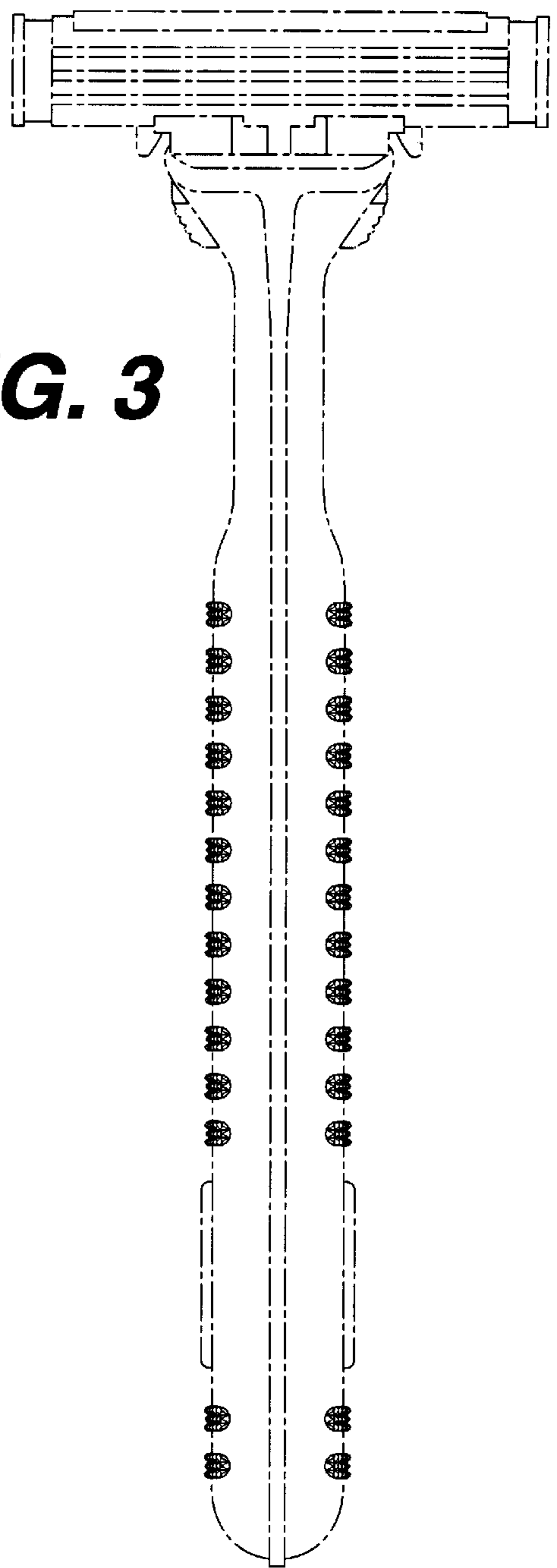
**FIG. 1**



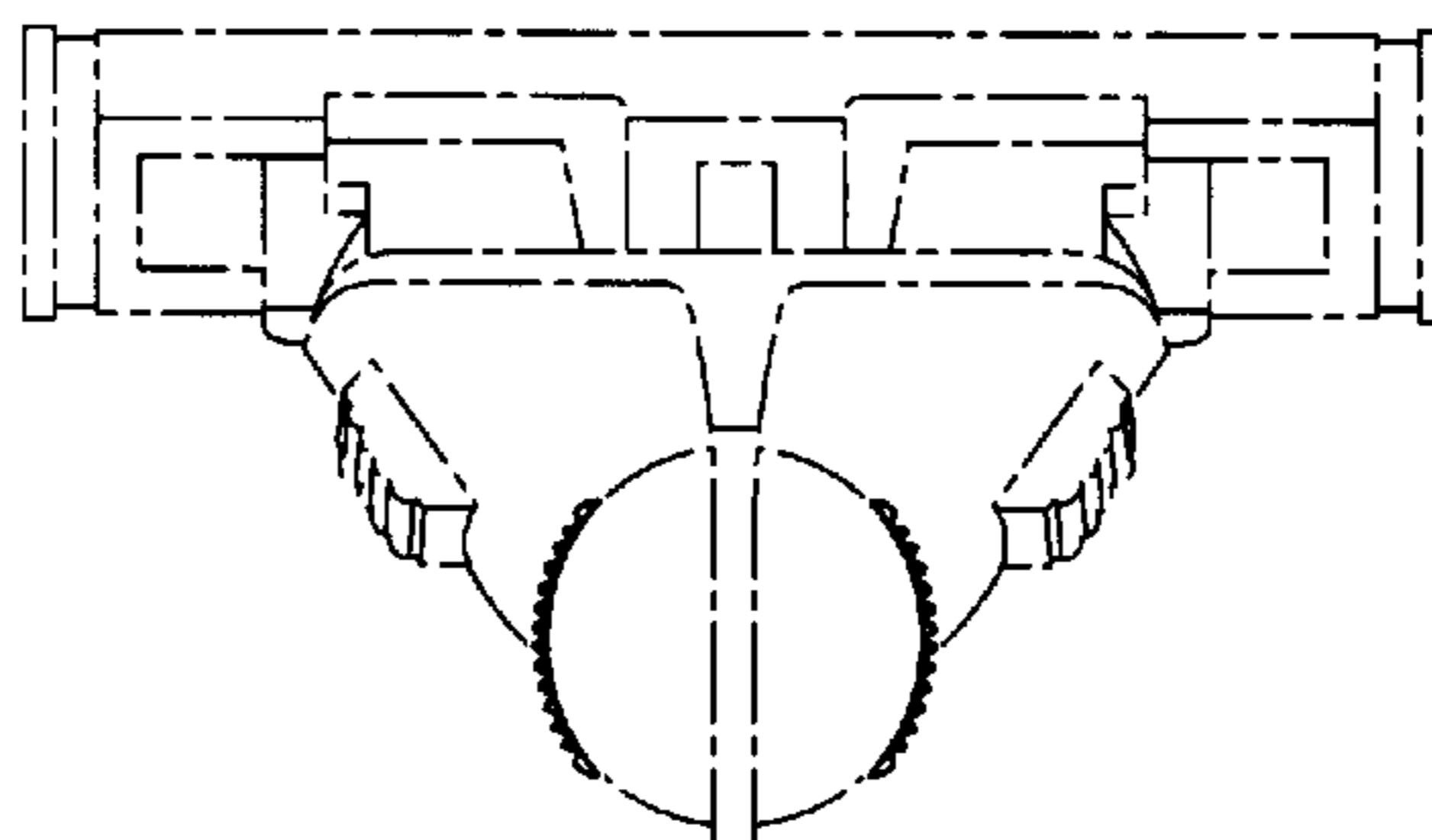
**FIG. 2**



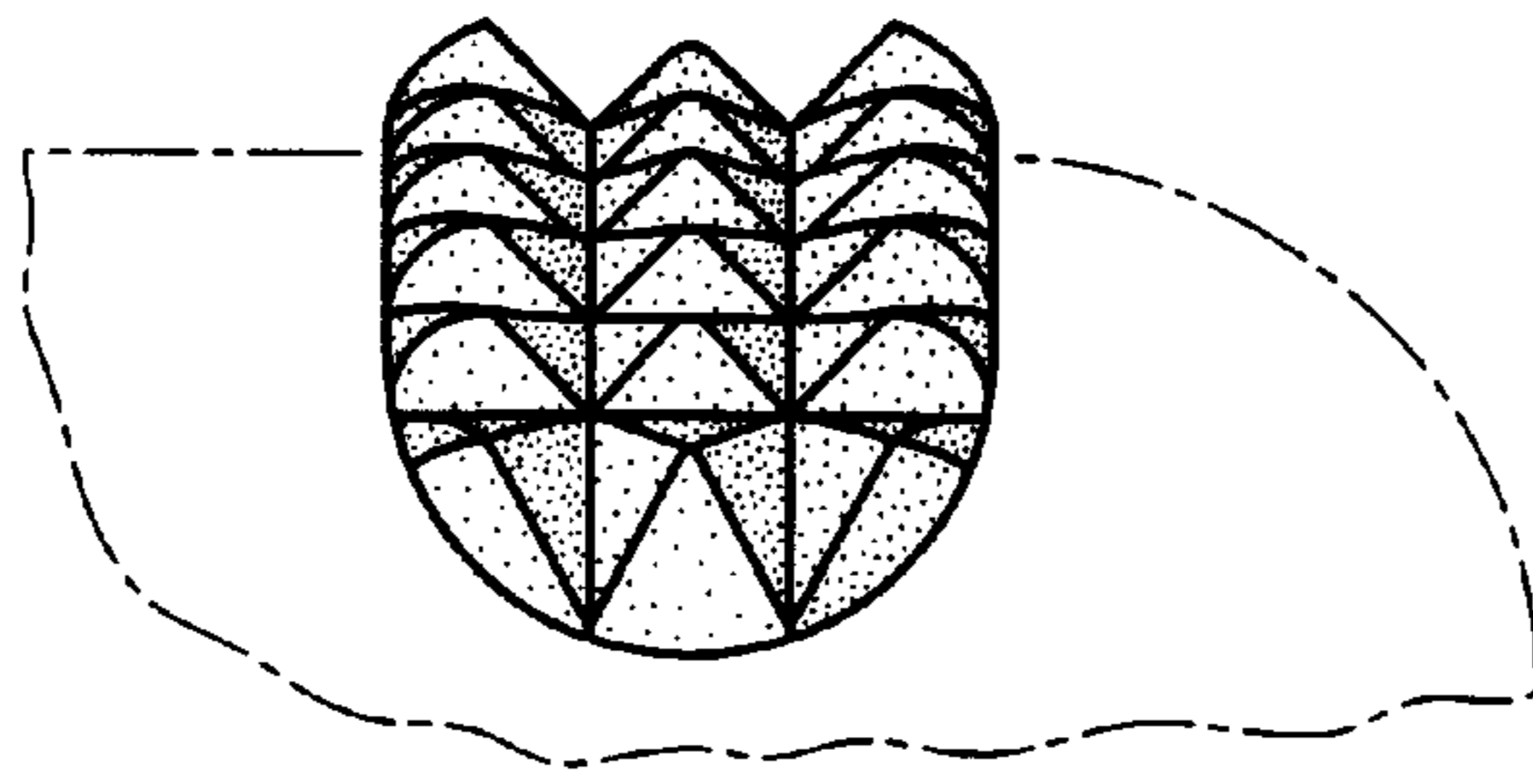
**FIG. 3**



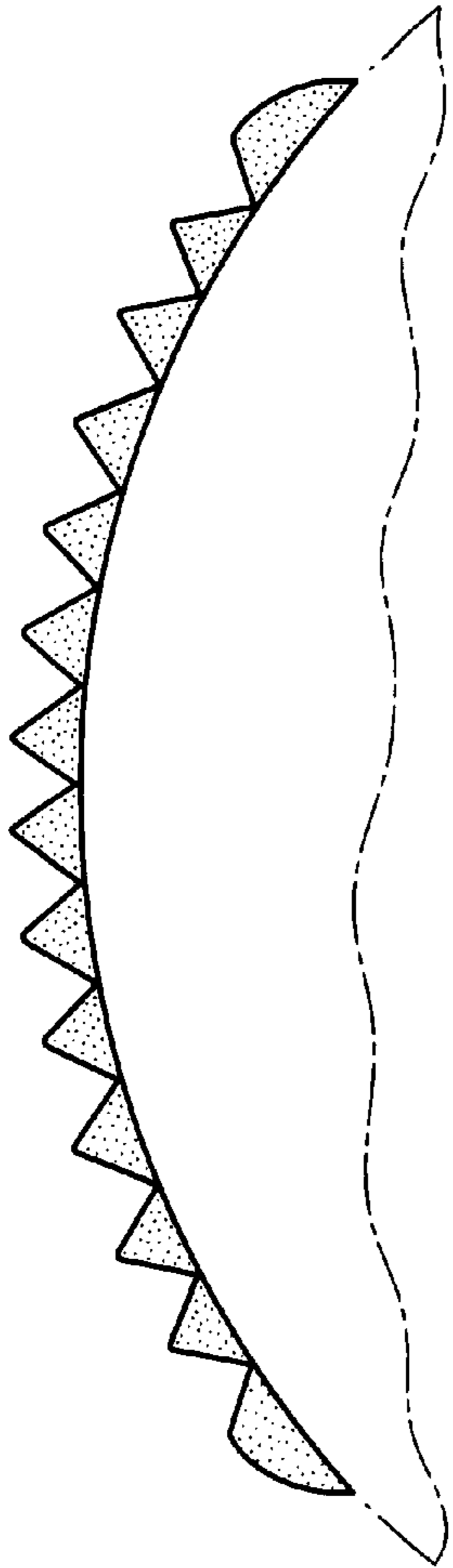
**FIG. 4**



**FIG. 5**



**FIG. 6**



**FIG. 7**

