



US00D419260S

United States Patent [19]

Manzo, Jr.

[11] Patent Number: Des. 419,260

[45] Date of Patent: ** Jan. 18, 2000

[54] CIGAR HUMIDOR

[76] Inventor: William A. Manzo, Jr., 91 Standish Ave., Providence, R.I. 02908

[**] Term: 14 Years

[21] Appl. No.: 29/096,905

[22] Filed: Nov. 23, 1998

[51] LOC (7) Cl. 27-06

[52] U.S. Cl. D27/188; D99/1; D99/3

[58] Field of Search D27/106, 172, D27/183, 186-188; D99/1, 6, 7, 3; 27/2, 5, 6, 7, 3, 4; D9/430, 431, 307; 206/271, 265

[56] **References Cited**

U.S. PATENT DOCUMENTS

110,984	1/1871	Lorde	27/2
172,482	1/1876	Pitman	27/7
D. 286,207	10/1986	Colliver	D27/188
D. 313,745	1/1991	Akman	D9/307

1,027,453	5/1912	Wible	27/7
4,212,386	7/1980	Maisonneuve	D99/6 X
5,111,559	5/1992	Mohr et al.	27/4

Primary Examiner—Susan J. Lucas
Assistant Examiner—Jennifer Rivard
Attorney, Agent, or Firm—Salter & Michaelson

[57] **CLAIM**

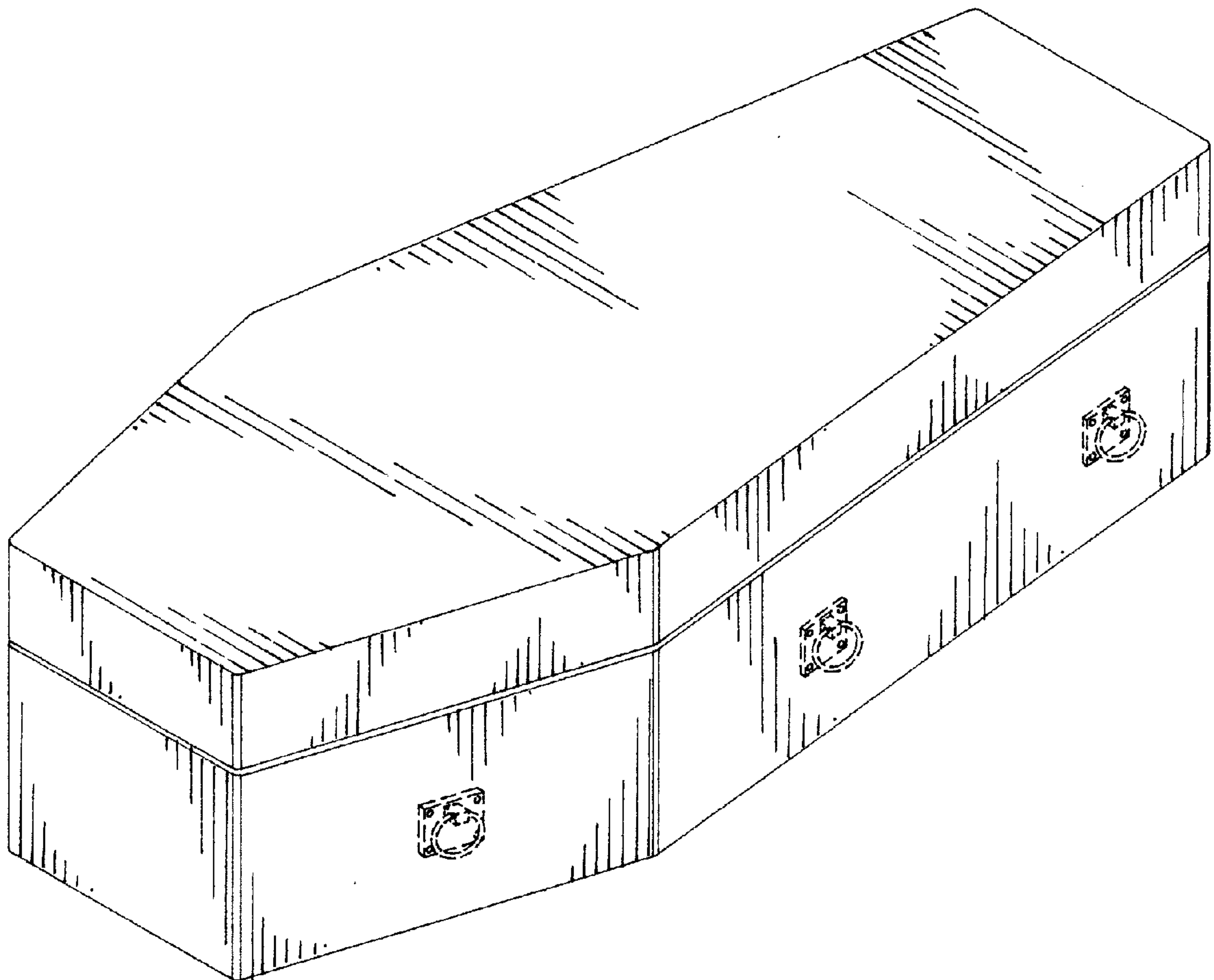
The ornamental design for a cigar humidor, as shown and described.

DESCRIPTION

FIG. 1 is a perspective view showing my new design; FIG. 2 is a top view thereof; FIG. 3 is a bottom view thereof; FIG. 4 is a right side view thereof; FIG. 5 is a left side view thereof; FIG. 6 is a front view thereof; and, FIG. 7 is a rear view thereof.

The broken lines are shown for illustrative purposes only and form no part of the claimed design.

1 Claim, 3 Drawing Sheets



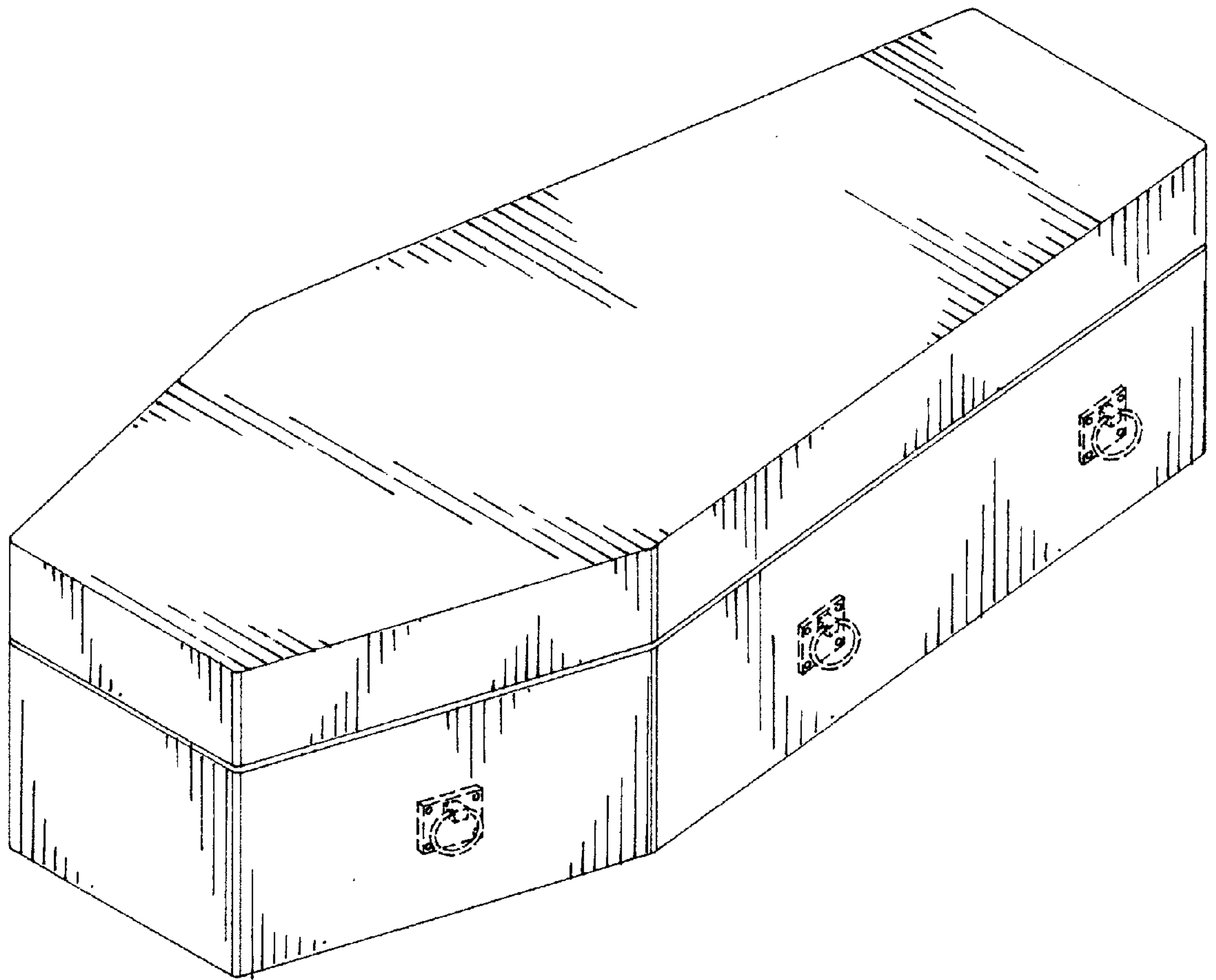


FIG. 1

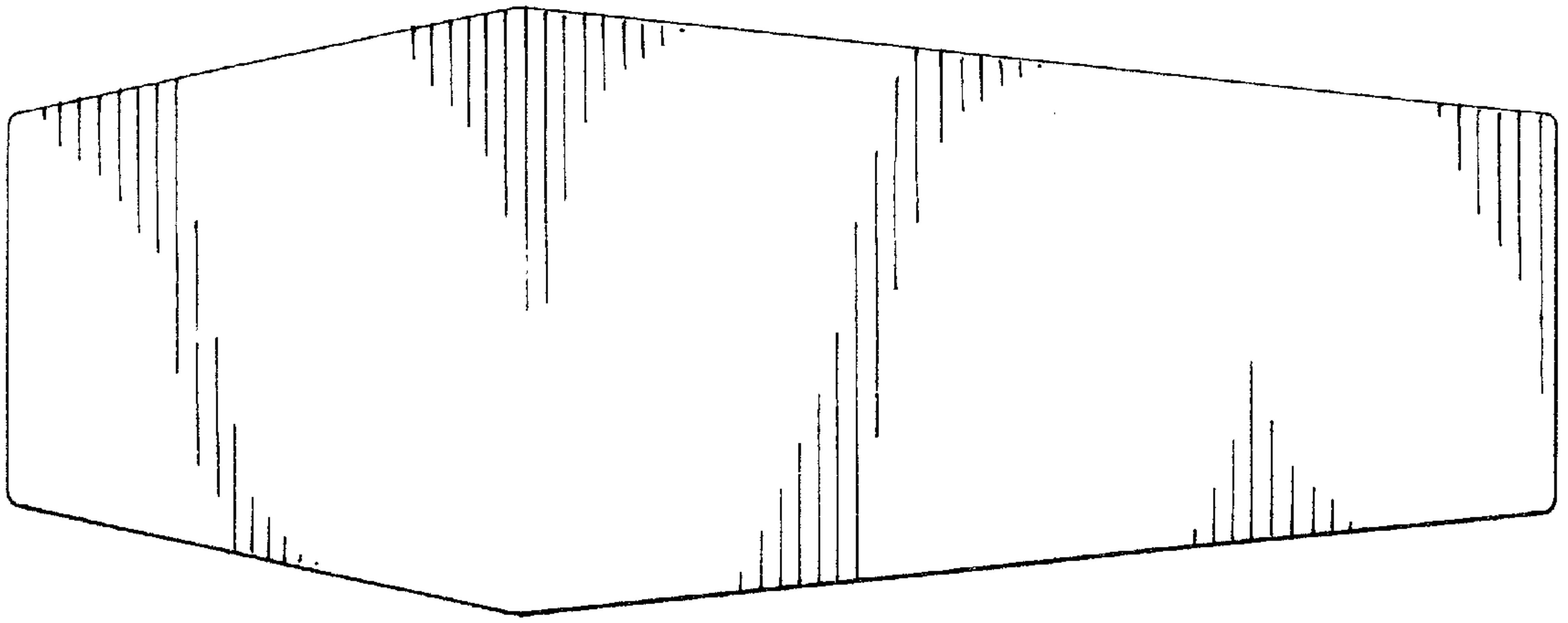


FIG. 2

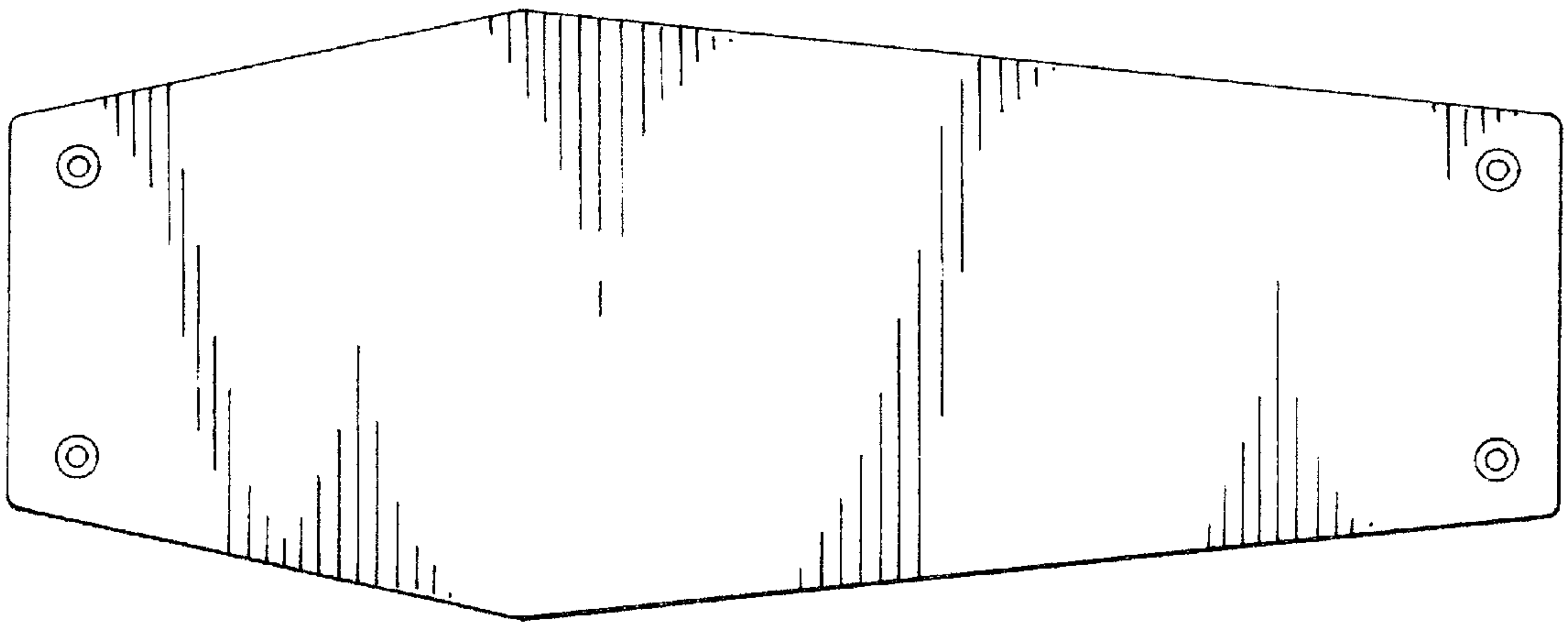


FIG. 3

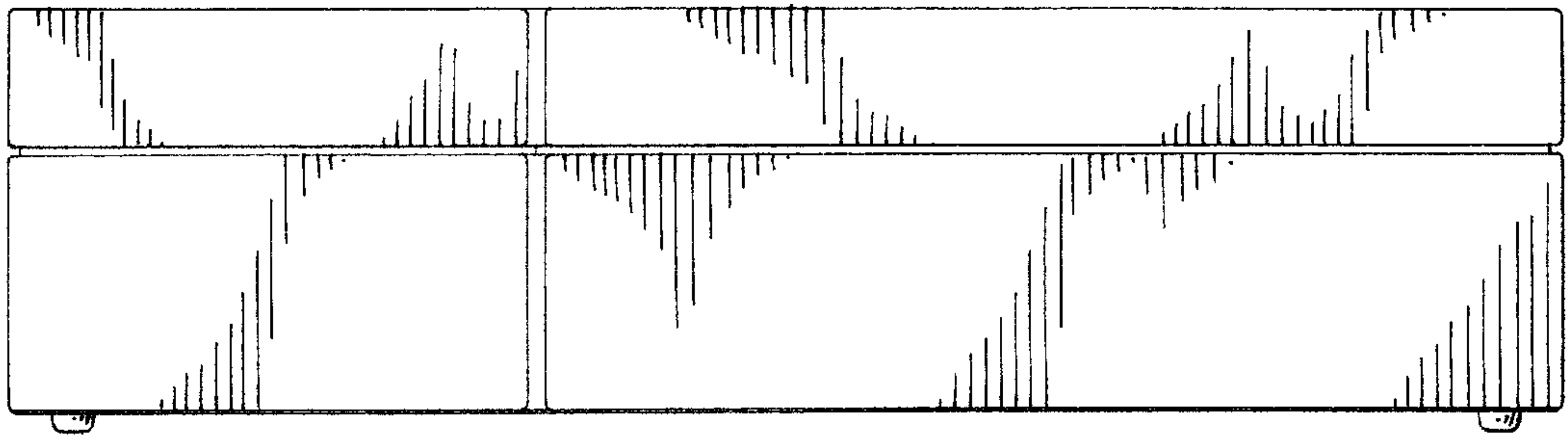


FIG. 4

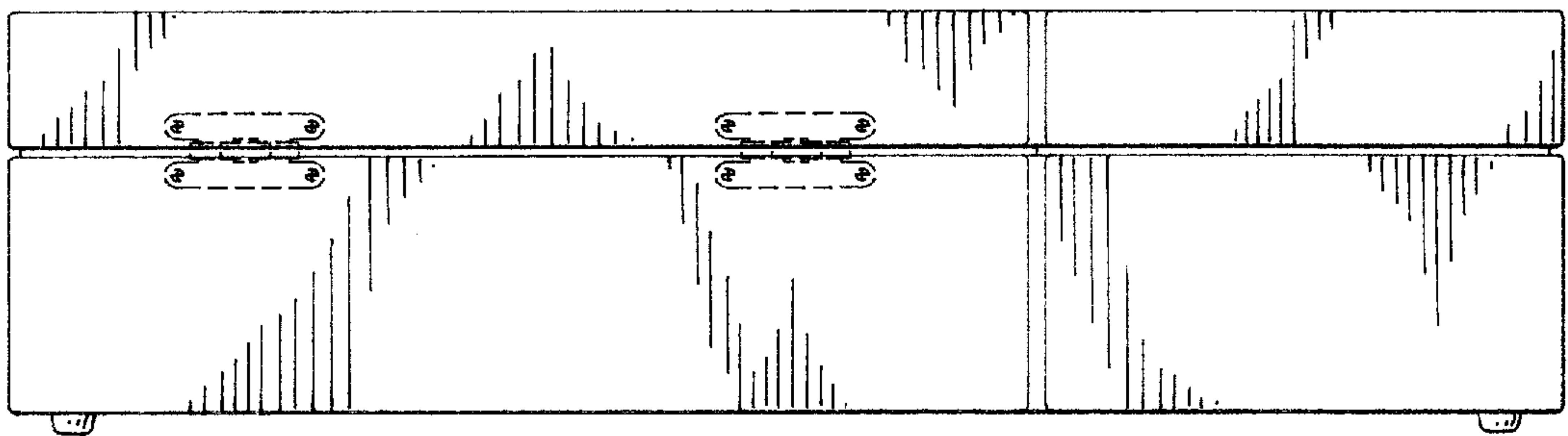


FIG. 5

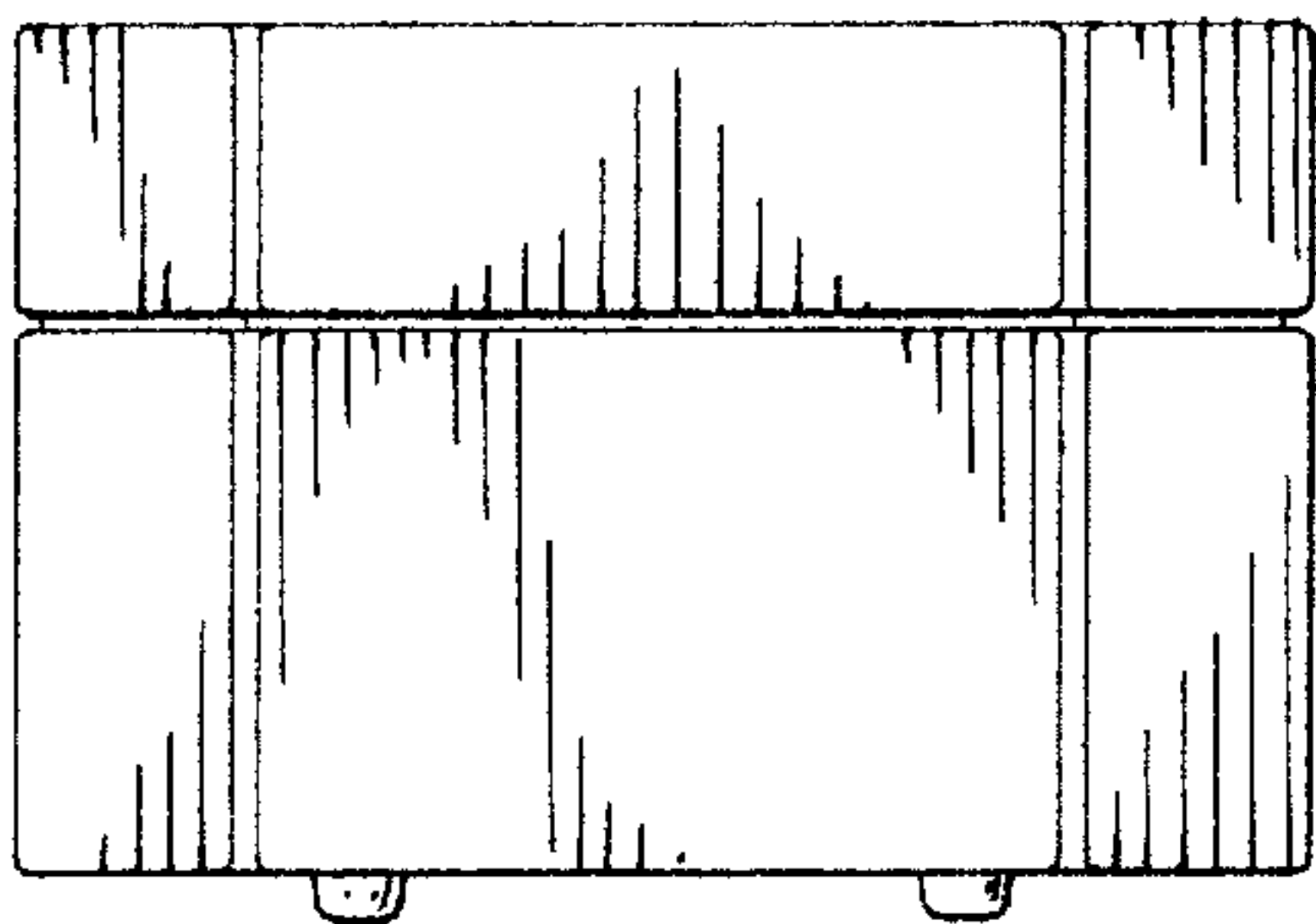


FIG. 6

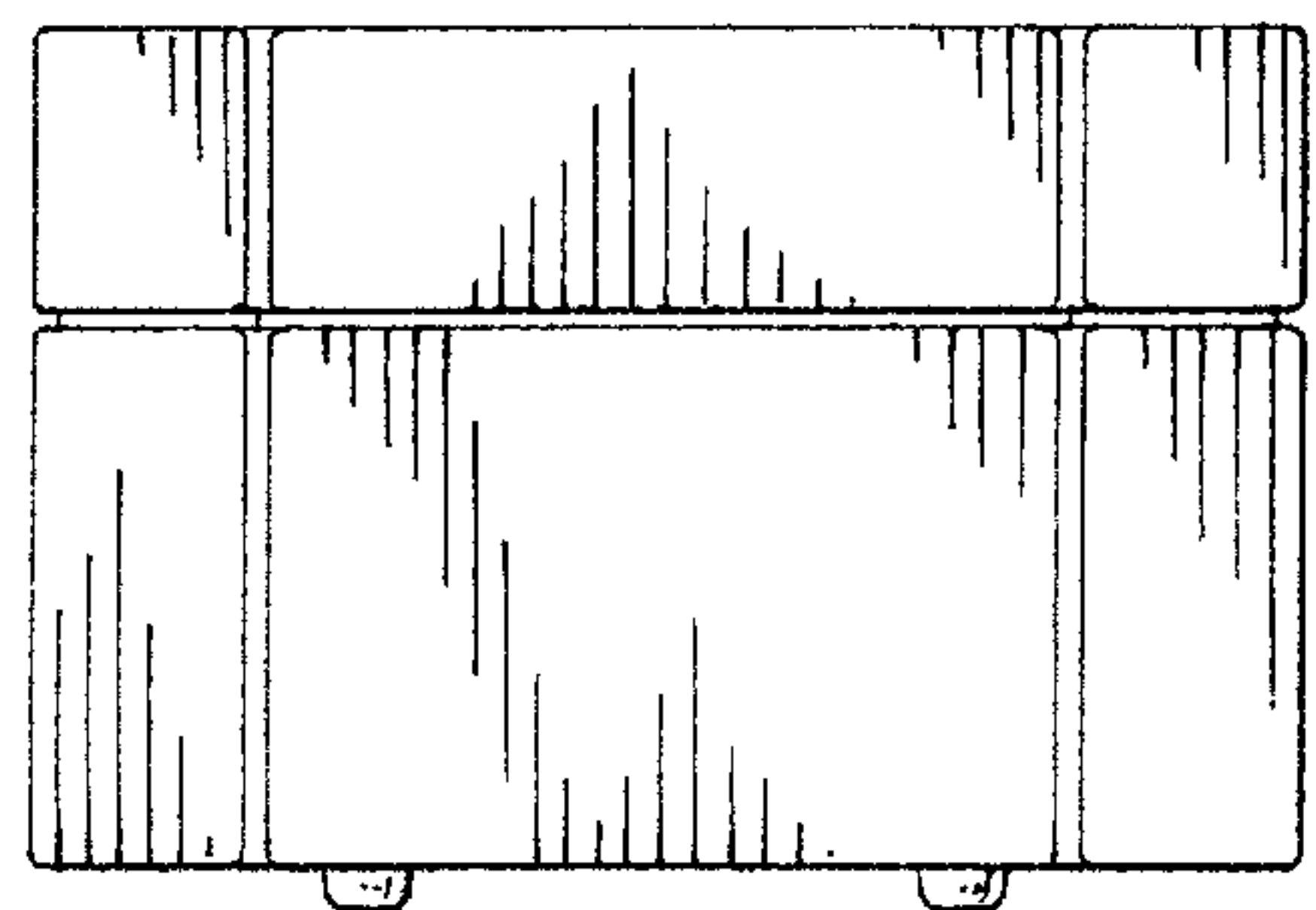


FIG. 7