



US00D419254S

# United States Patent [19] Chiu

[11] **Patent Number: Des. 419,254**  
[45] **Date of Patent: \*\* Jan. 18, 2000**

[54] **FLASHLIGHT**

[75] **Inventor: Terance Chi Ping Chiu**, Hong Kong,  
The Hong Kong Special Administrative  
Region of the People's Republic of  
China

[73] **Assignee: Forexim (H.K.) Limited**, Kowloon,  
The Hong Kong Special Administrative  
Region of the People's Republic of  
China

[\*\*] **Term: 14 Years**

[21] **Appl. No.: 29/094,463**

[22] **Filed: Oct. 2, 1998**

[51] **LOC (7) Cl. .... 26-02**

[52] **U.S. Cl. .... D26/49**

[58] **Field of Search .... D26/37-50; 362/157,  
362/158, 183-208**

[56] **References Cited**

**U.S. PATENT DOCUMENTS**

D. 293,482 12/1987 Geissler ..... D26/49

D. 308,109 5/1990 Maglica et al. .... D26/49  
D. 368,786 4/1996 Van Cort ..... D26/49  
D. 371,214 6/1996 Jerry, Sr. .... D26/49  
D. 403,737 1/1999 Howe et al. .... D26/49

*Primary Examiner*—Marcus A. Jackson  
*Attorney, Agent, or Firm*—Ladas & Parry

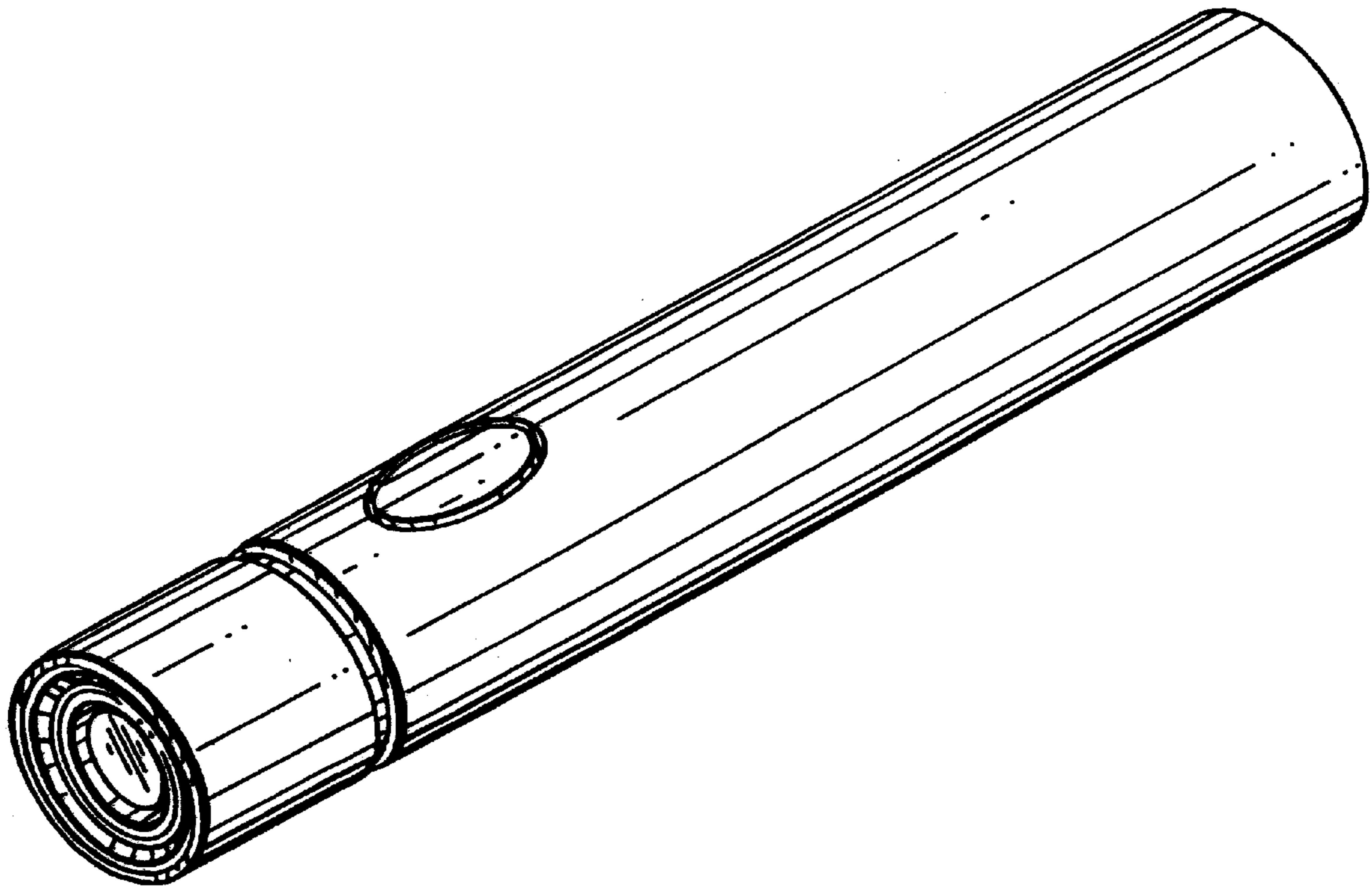
[57] **CLAIM**

We claim the ornamental design for flashlight, as shown and  
decribed.

**DESCRIPTION**

FIG. 1 is front/top/right-side isometric view of a first  
embodiment of a flashlight showing my new design;  
FIG. 2 is a rear elevational view thereof;  
FIG. 3 is a right-side elevational view thereof; the left-side  
elevational view being a mirror image and, therefore, not  
shown;  
FIG. 4 is a front elevational view thereof;  
FIG. 5 is a bottom plan view thereof; and,  
FIG. 6 is a top plan view of another embodiment thereof.

**1 Claim, 2 Drawing Sheets**



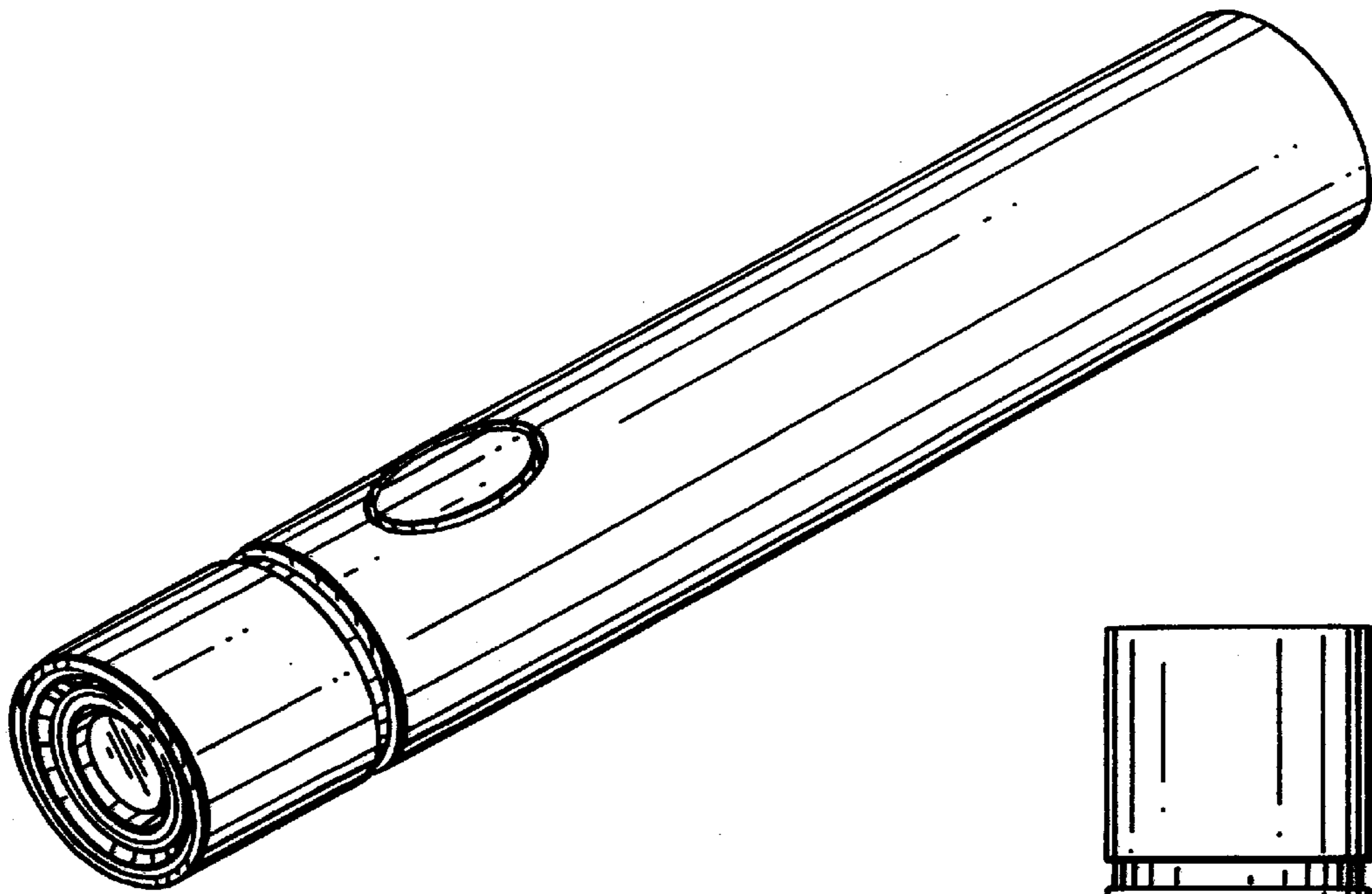


FIG. 1

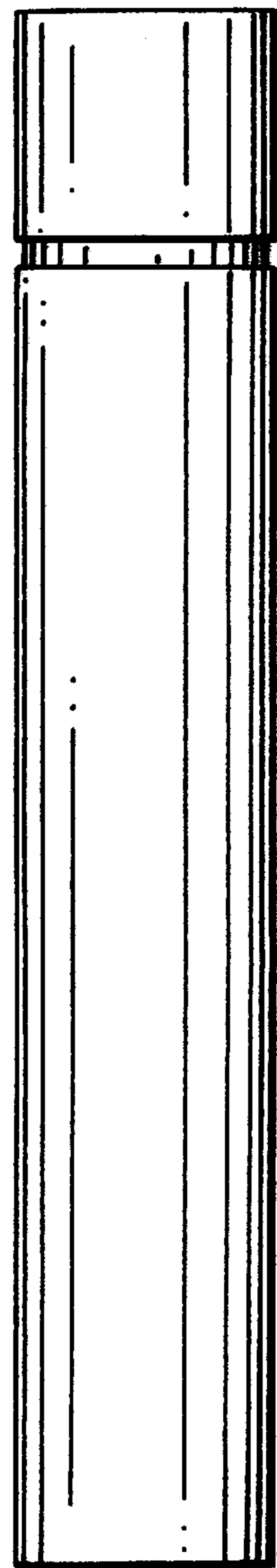


FIG. 2

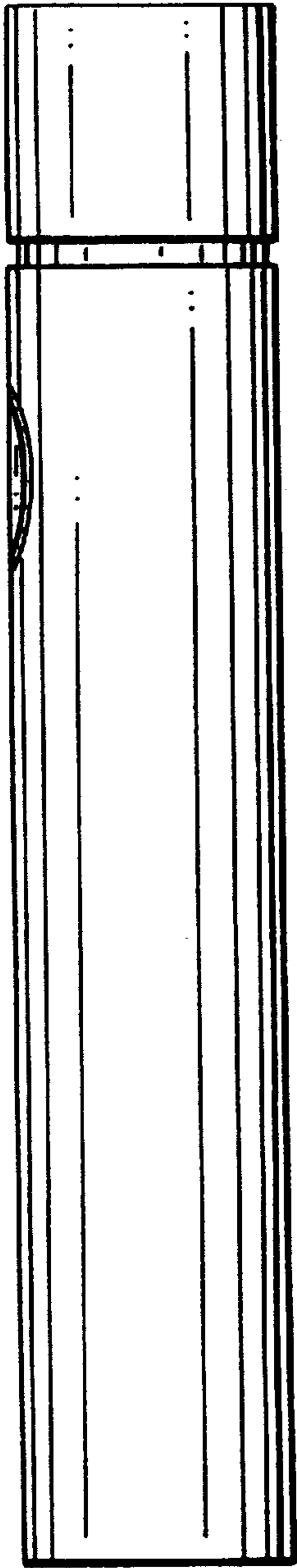


FIG. 3

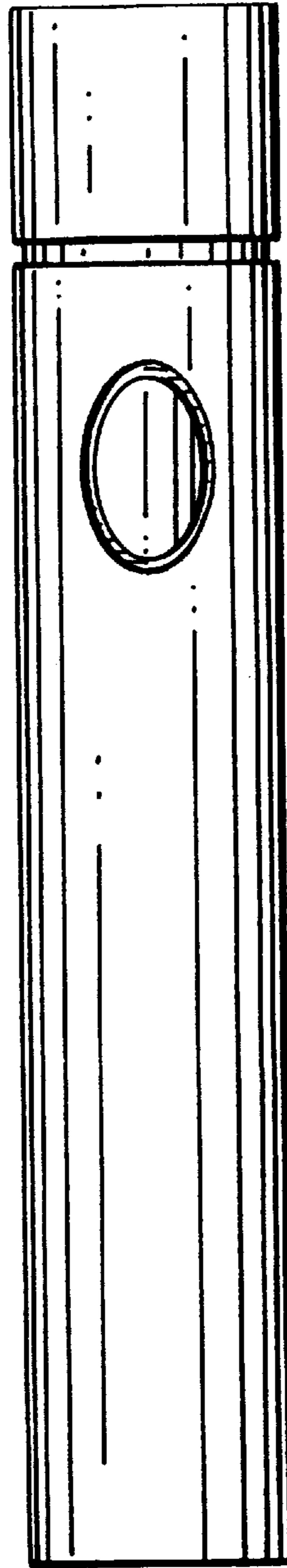


FIG. 4

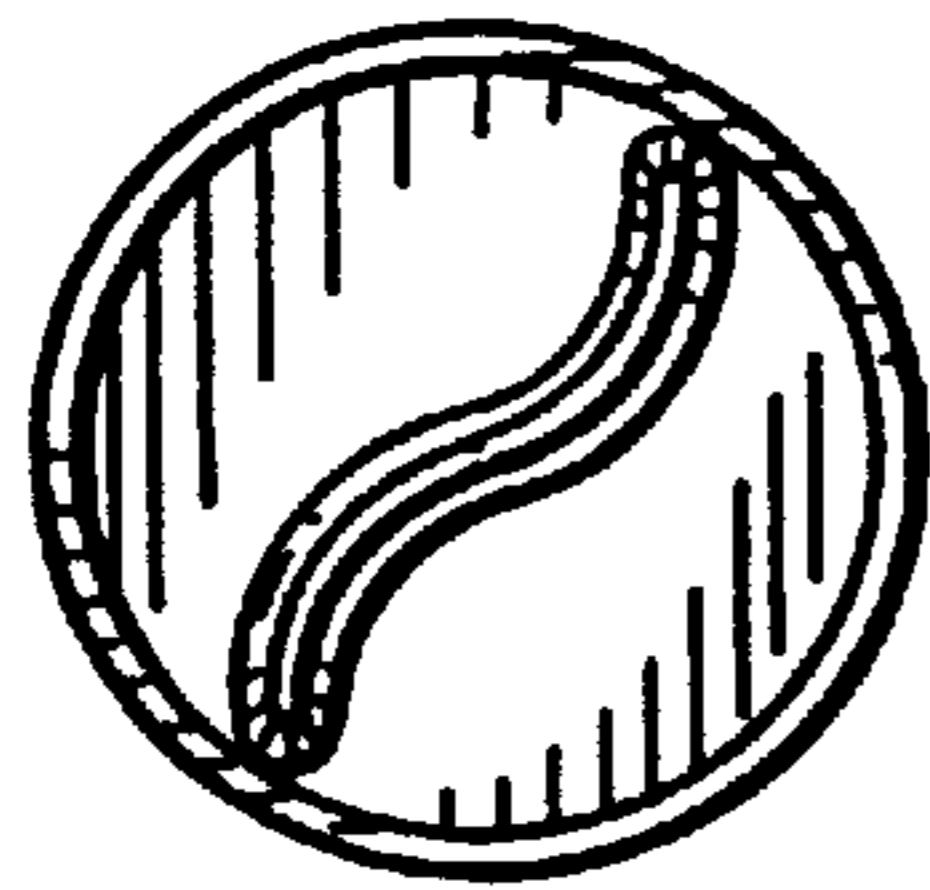


FIG. 5

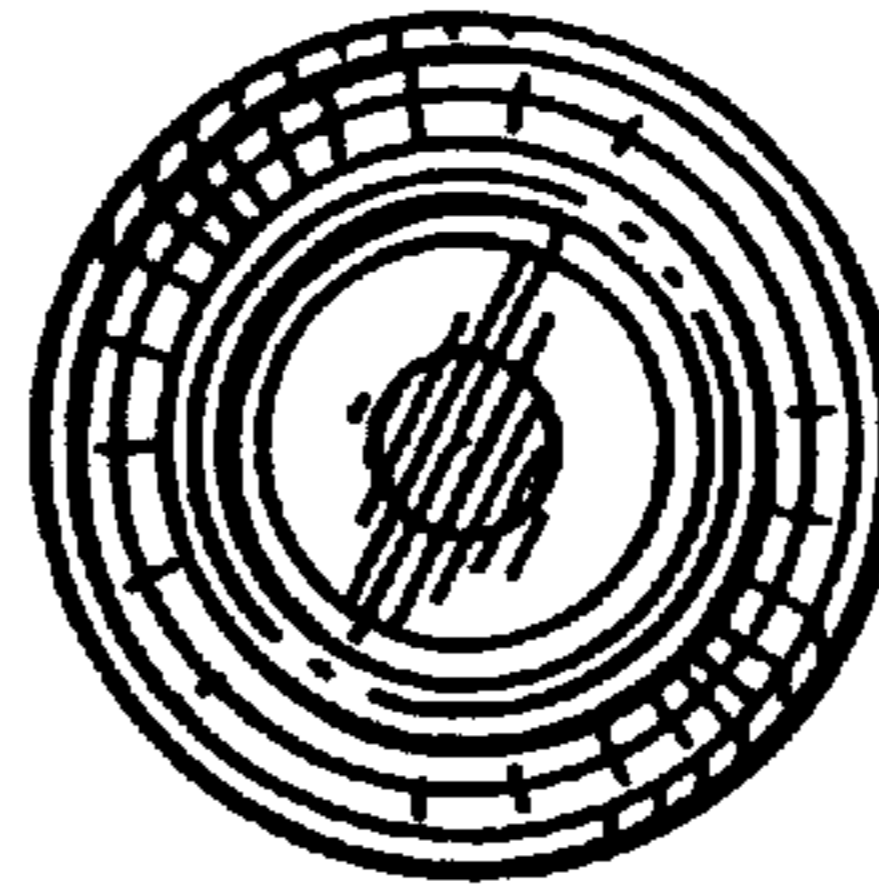


FIG. 6