



US00D419253S

# United States Patent [19]

Dowling et al.

[11] Patent Number: Des. 419,253

[45] Date of Patent: \*\* Jan. 18, 2000

[54] **COMBINED LANTERN AND POWER SOURCE**

[75] Inventors: **Charles W. Dowling**, Phoenix; **Larry J. Reno**, Scottsdale, both of Ariz.

[73] Assignee: **Industrias Diza S.A. de C.V.**, Apodaca, Mexico

[\*\*] Term: **14 Years**

[21] Appl. No.: **29/102,497**

[22] Filed: **Mar. 25, 1999**

[51] **LOC (7) Cl.** ..... **26-02**

[52] **U.S. Cl.** ..... **D26/38**

[58] **Field of Search** ..... D10/114; D26/37-50; 362/157, 158, 183-208, 227, 235, 236

[56] **References Cited**

**U.S. PATENT DOCUMENTS**

- D. 326,061 5/1992 Hopper ..... D26/37
- D. 377,691 1/1997 Yuen ..... D26/38

D. 388,785 1/1998 Yuen ..... D26/38

*Primary Examiner*—Marcus A. Jackson  
*Attorney, Agent, or Firm*—Breiner & Breiner

[57] **CLAIM**

The ornamental design for a combined lantern and power source, as shown and described.

**DESCRIPTION**

FIG. 1 is a perspective view of the invention, with an optional extension shown by phantom lines, with the broken line showing for illustrative purposes only and forming no part of the claimed design;

FIG. 2 is front side view of the invention;

FIG. 3 is a top side view of the invention;

FIG. 4 is a left side view of the invention;

FIG. 5 is a right side view of the invention; and,

FIG. 6 is a rear side view of the invention.

The bottom view of the invention as shown in FIGS. 1-6 is plain and unornamental.

**1 Claim, 3 Drawing Sheets**

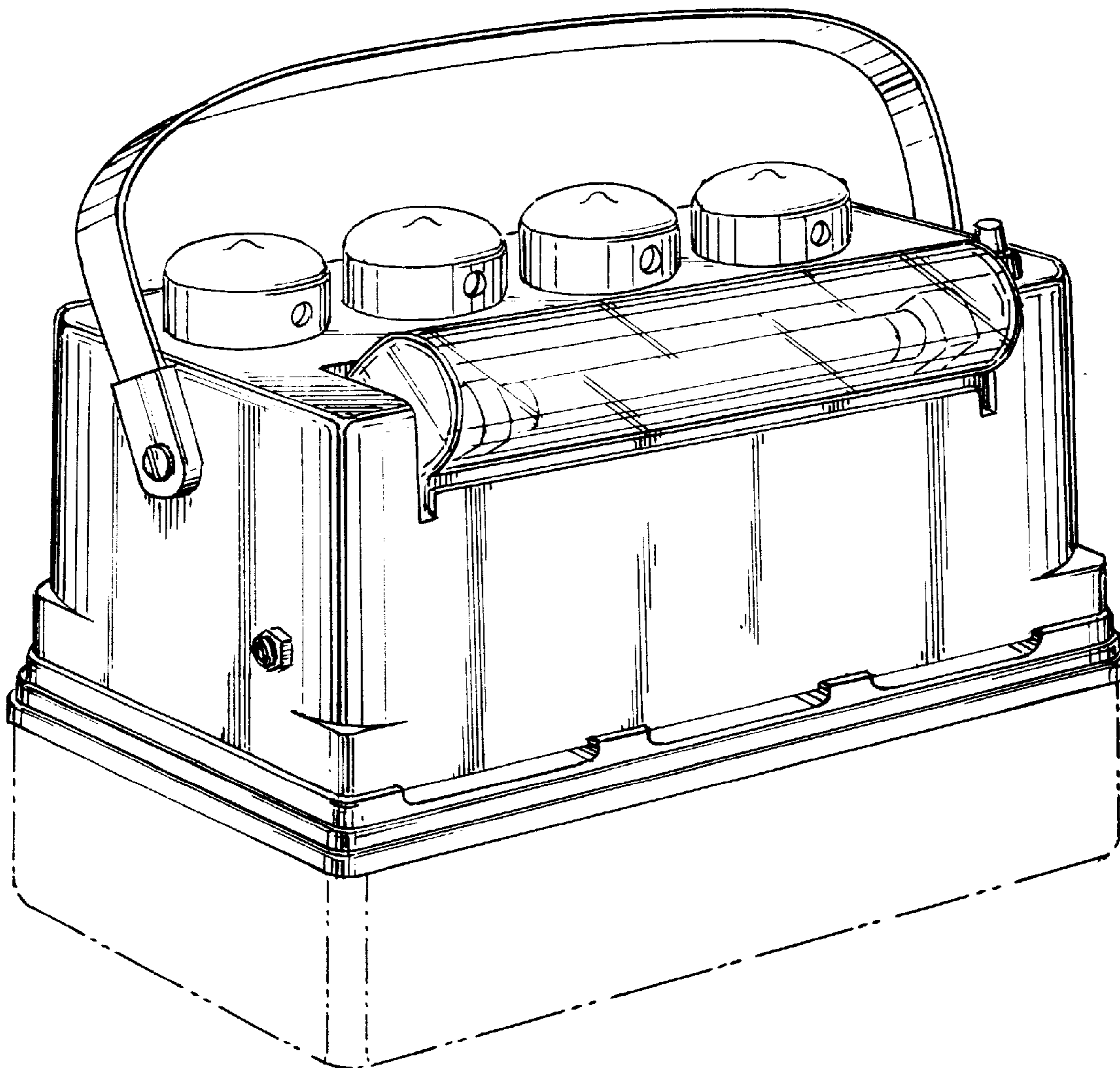


FIG. 1

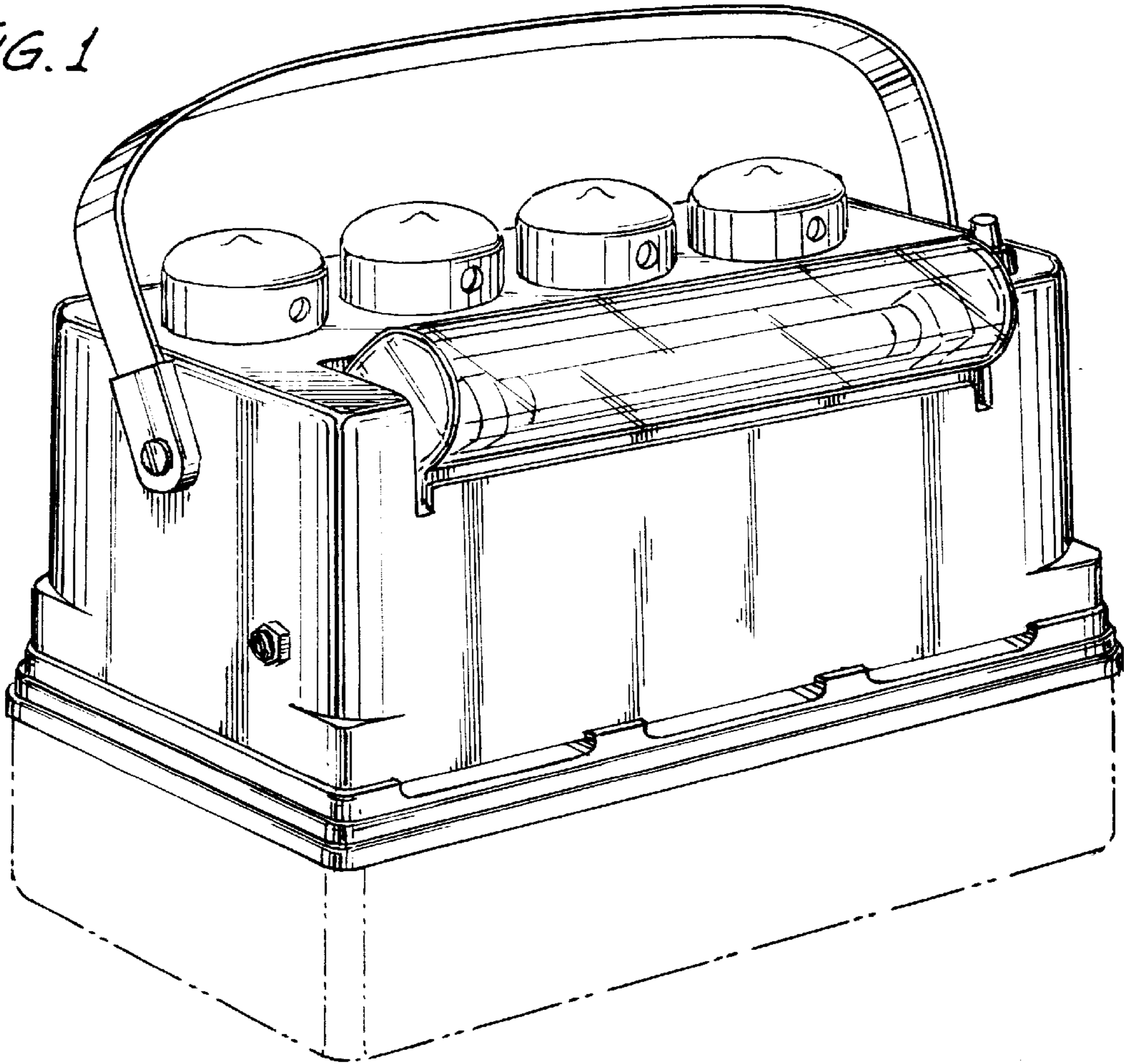


FIG. 2

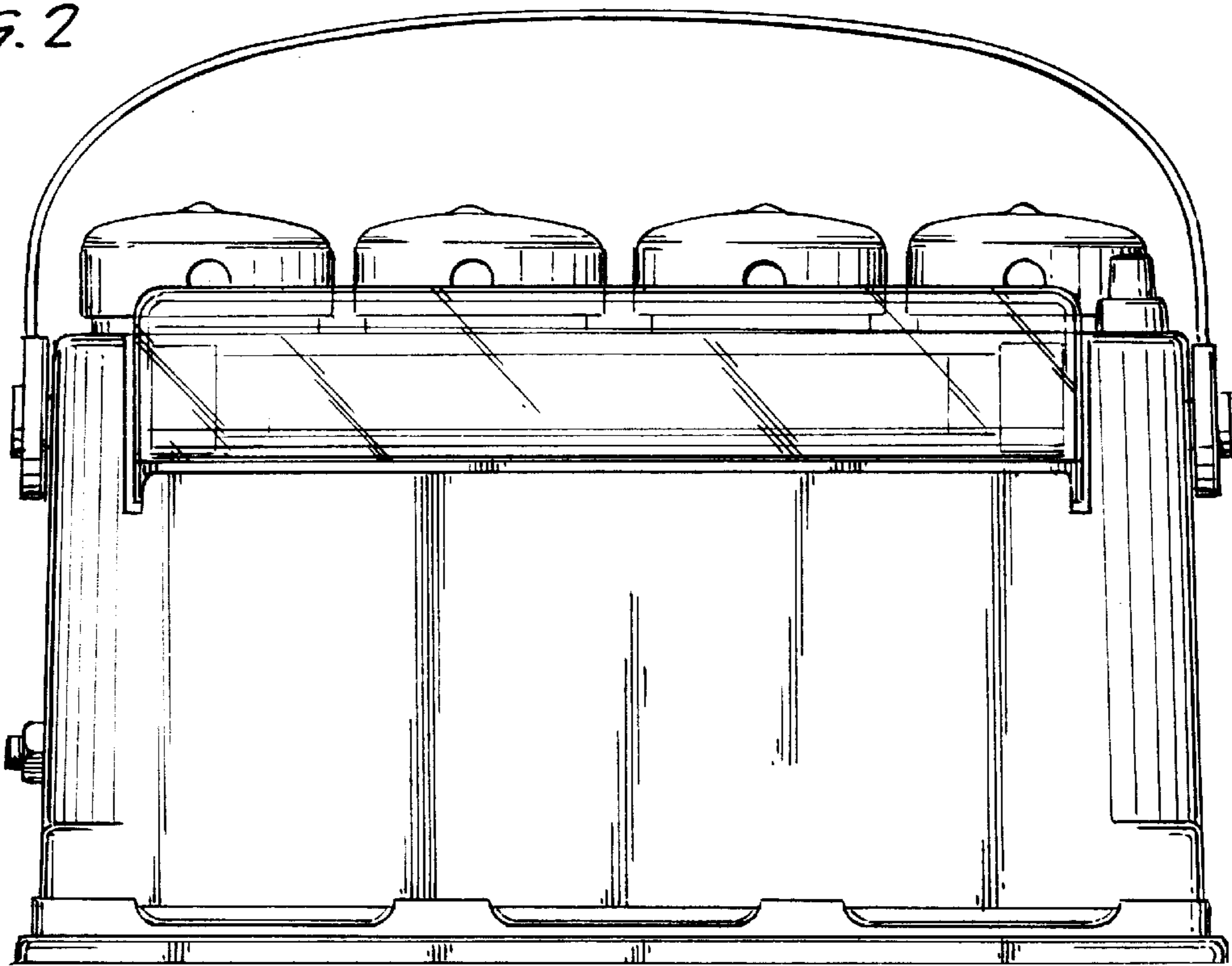


FIG. 6

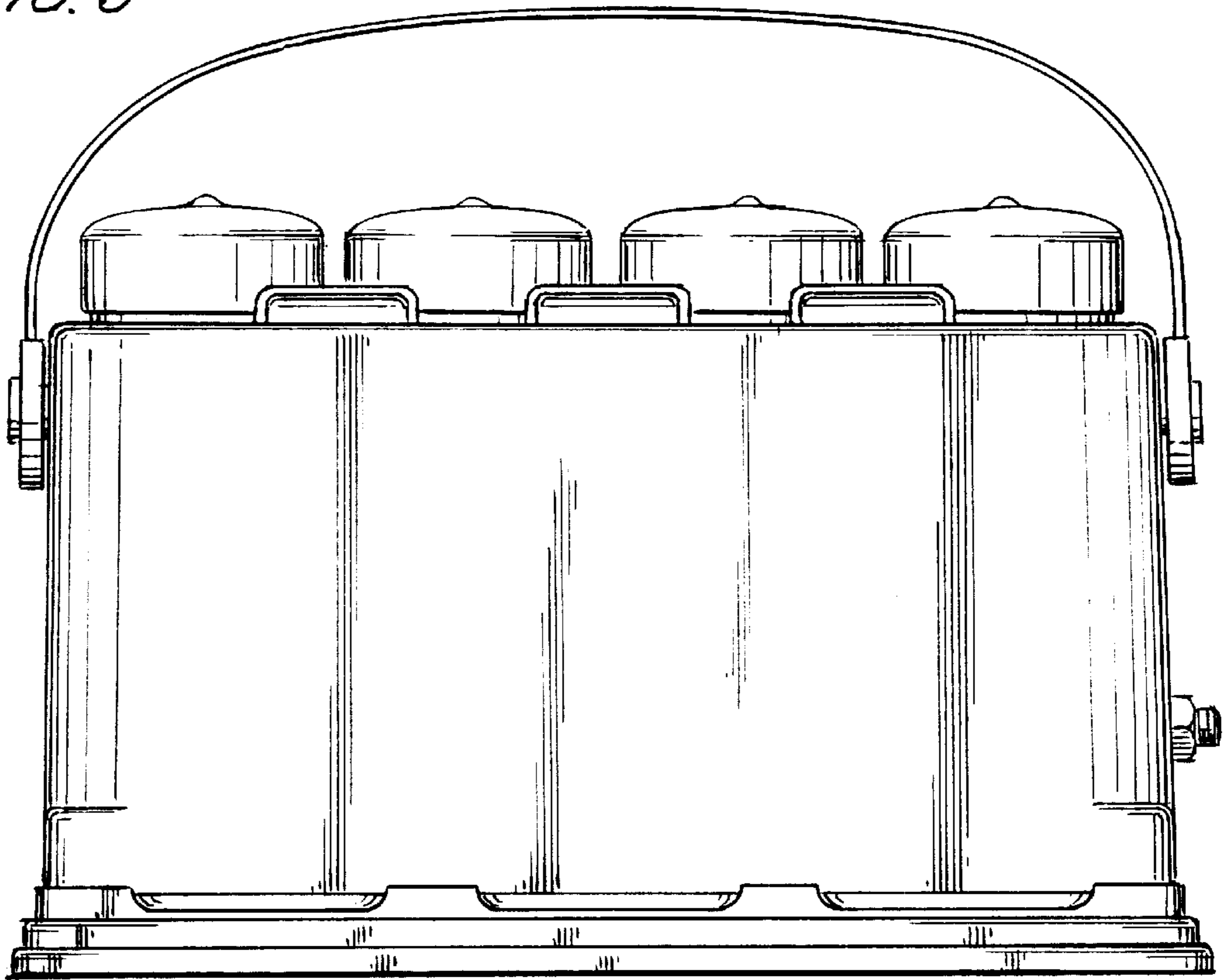
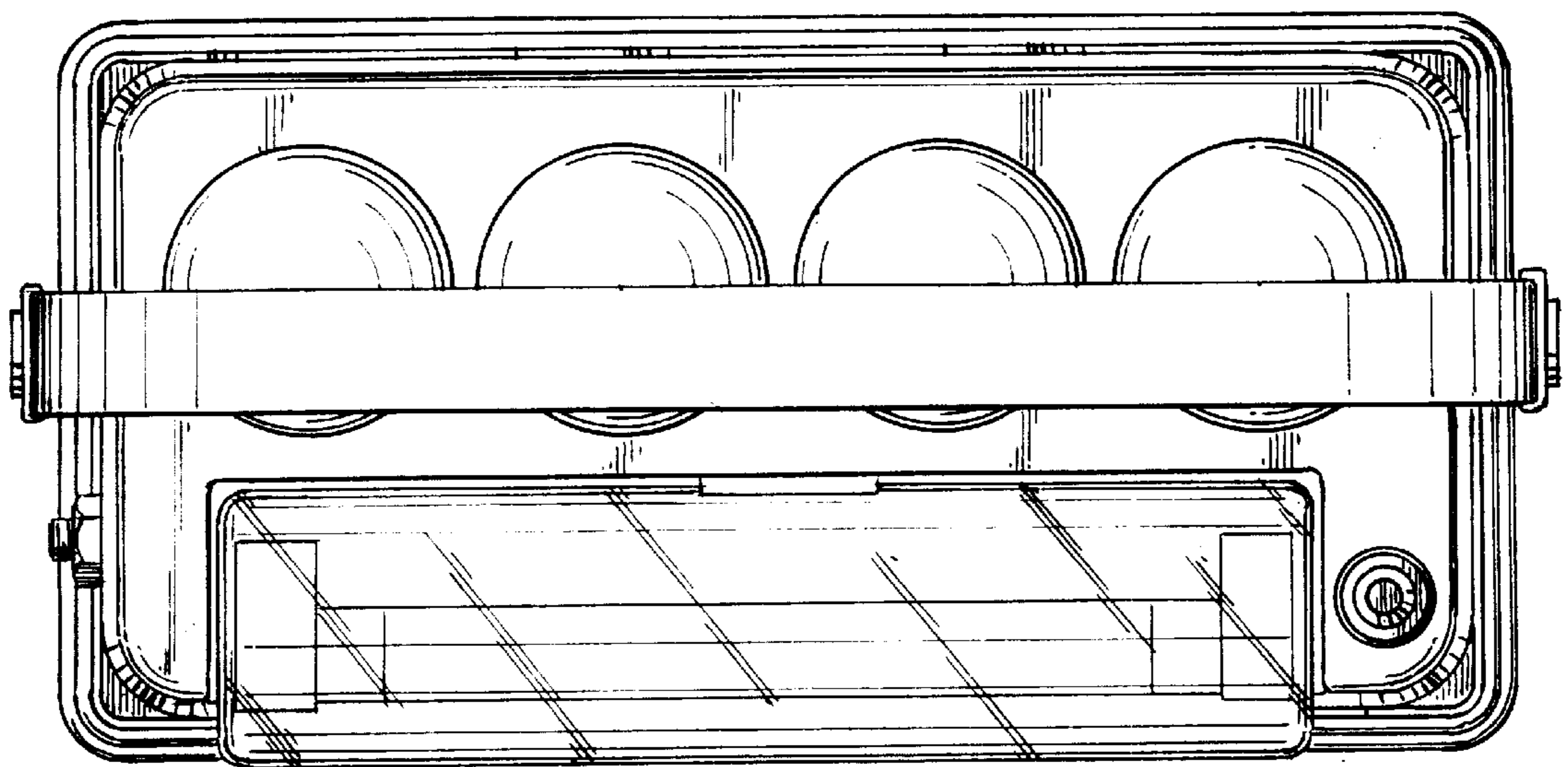
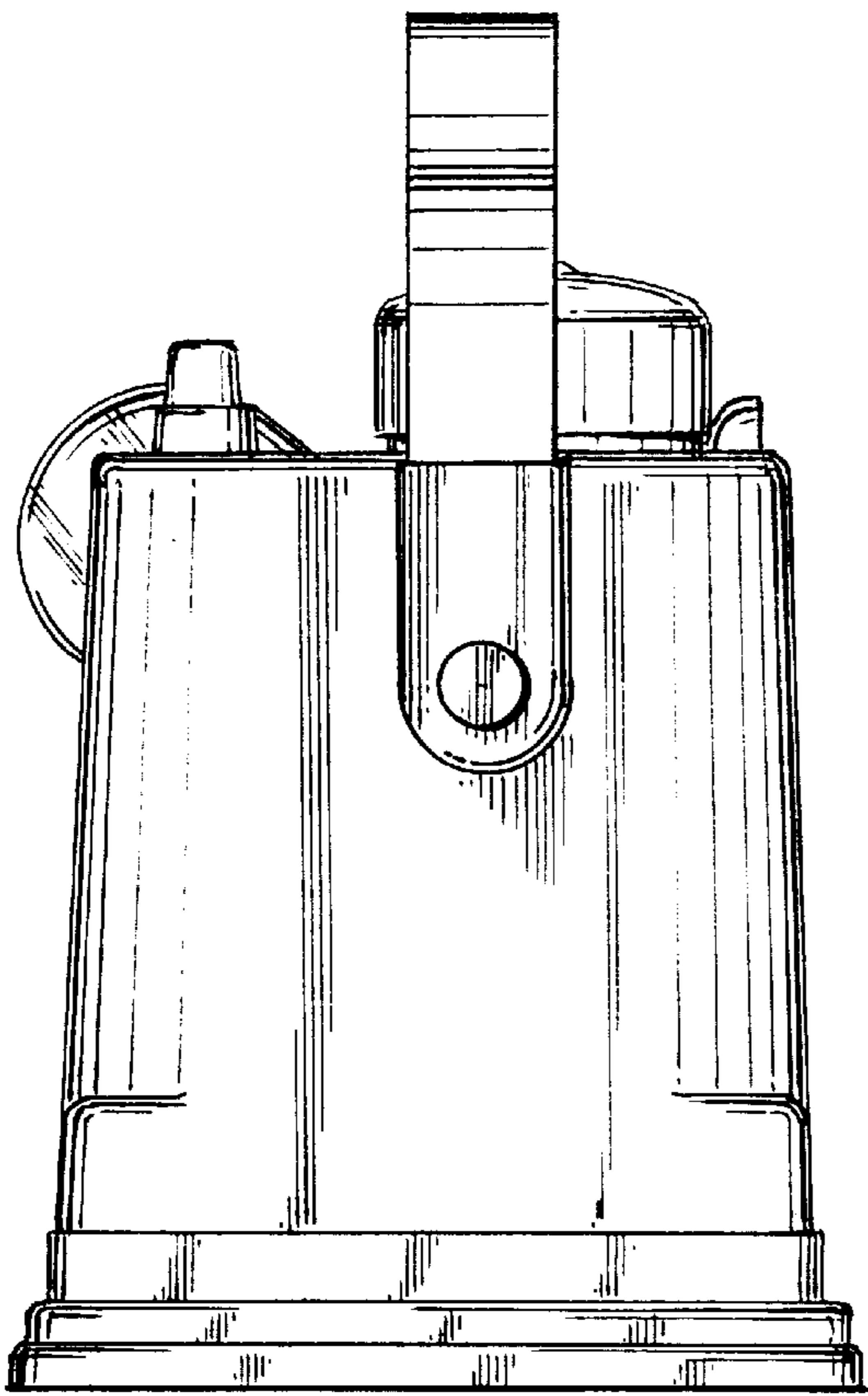


FIG. 3





*FIG. 5*



*FIG. 4*

