



US00D419250S

United States Patent [19]
Yeh

[11] **Patent Number: Des. 419,250**

[45] **Date of Patent: ** Jan. 18, 2000**

[54] **LAMP**

[76] Inventor: **Neng-Chen Yeh**, No. 10, Lane 808,
Chungshan Rd., Hsinhua Chen, Tainan
Hsien, Taiwan

[**] Term: **14 Years**

[21] Appl. No.: **29/102,743**

[22] Filed: **Mar. 30, 1999**

[51] **LOC (7) Cl.** **26-06**

[52] **U.S. Cl.** **D26/28**

[58] **Field of Search** D26/28-36, 72,
D26/80-92; 362/61, 74, 362, 363, 404,
432

[56] **References Cited**

U.S. PATENT DOCUMENTS

D. 363,999	11/1995	Taylor et al.	D26/28
D. 388,894	1/1998	Yeh	D26/28
D. 393,729	4/1998	Tuttle	D26/28

Primary Examiner—Marcus A. Jackson
Attorney, Agent, or Firm—Thorp Reed & Armstrong, LLP

[57] **CLAIM**

The ornamental design for the lamp, as shown and described.

DESCRIPTION

FIG. 1 is a perspective view of a lamp showing my new design;

FIG. 2 is a front view thereof;

FIG. 3 is a rear view thereof;

FIG. 4 is a left side view thereof;

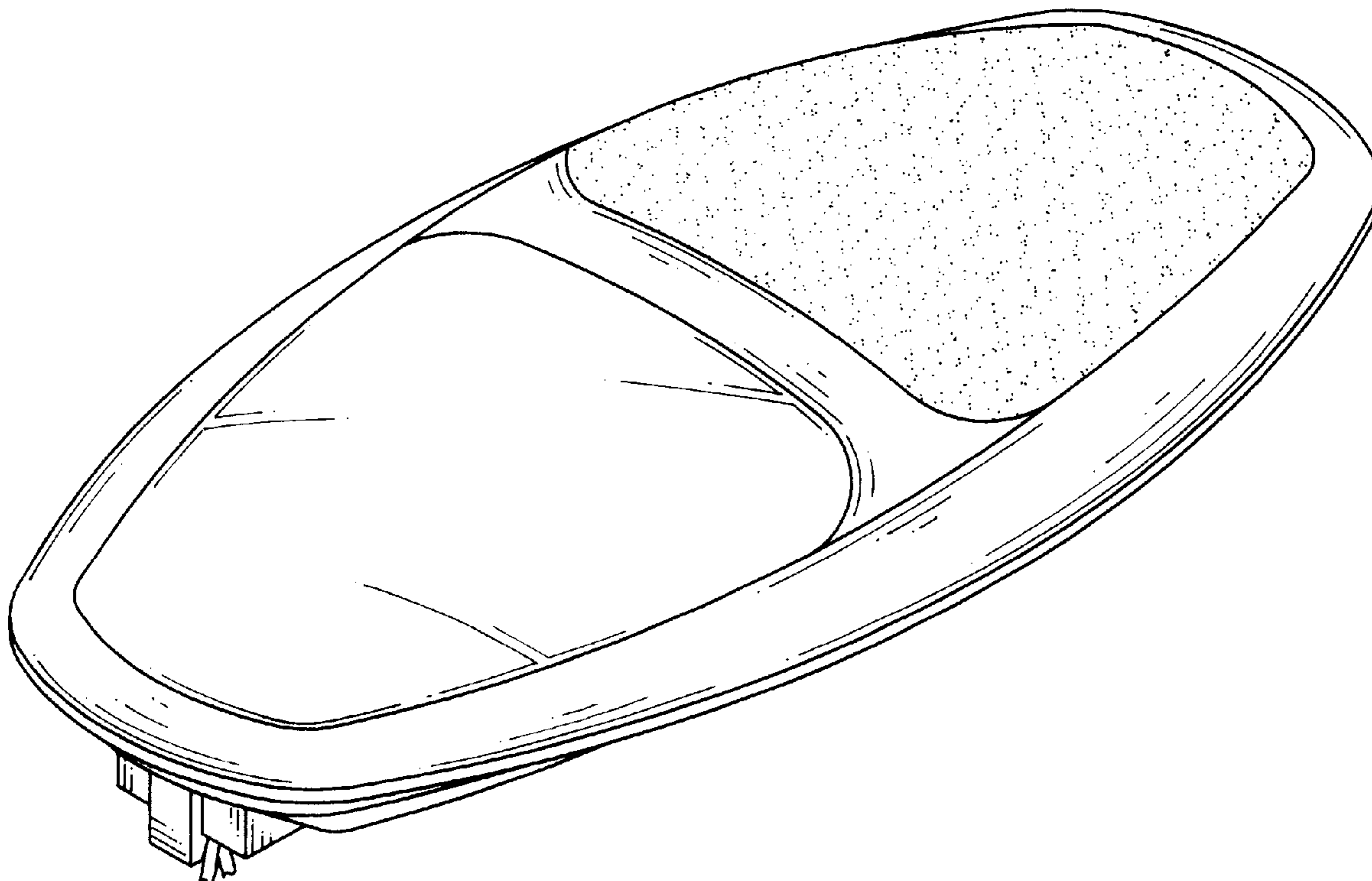
FIG. 5 is a right side view thereof;

FIG. 6 is a top view thereof;

FIG. 7 is a bottom view thereof; and,

FIG. 8 is a schematic view showing the internal structure thereof, wherein the broken line portion is for illustrative purpose only and forms no part of the claimed design.

1 Claim, 5 Drawing Sheets



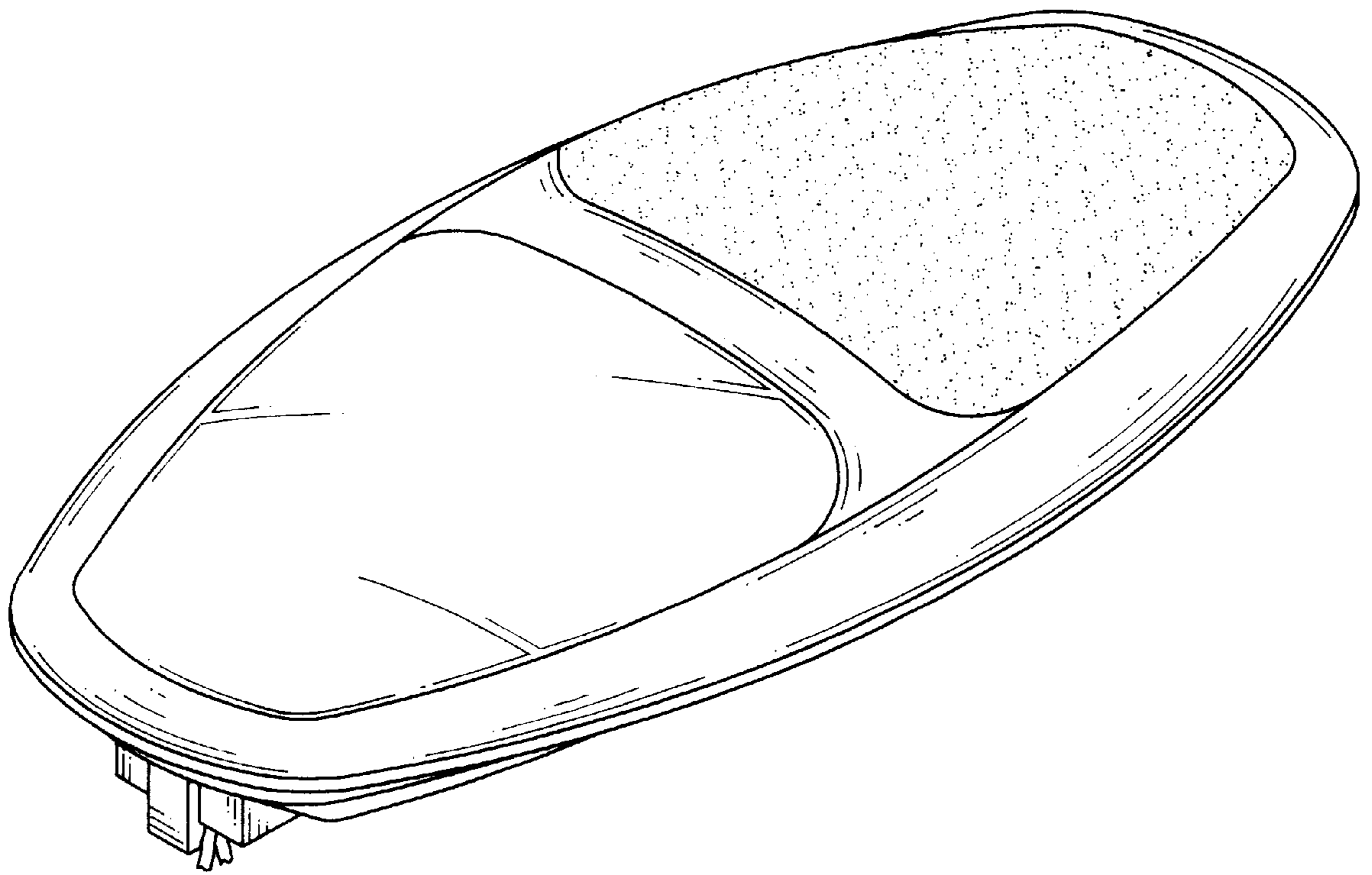


FIG.1

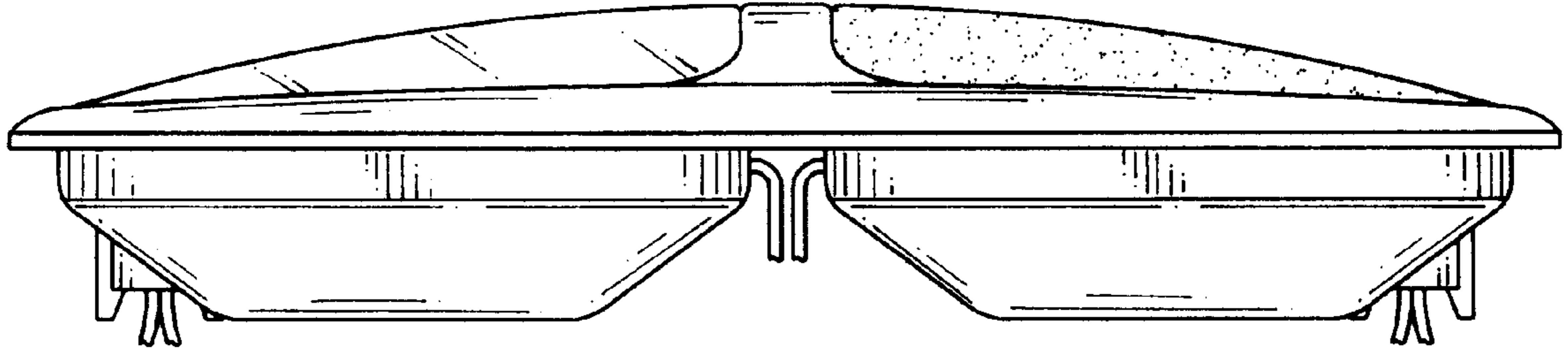


FIG. 2

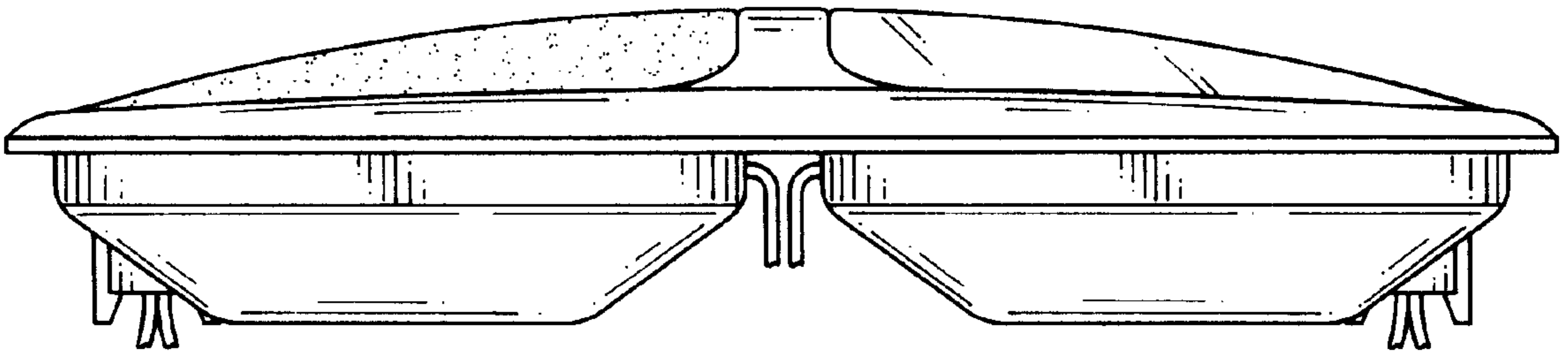


FIG. 3

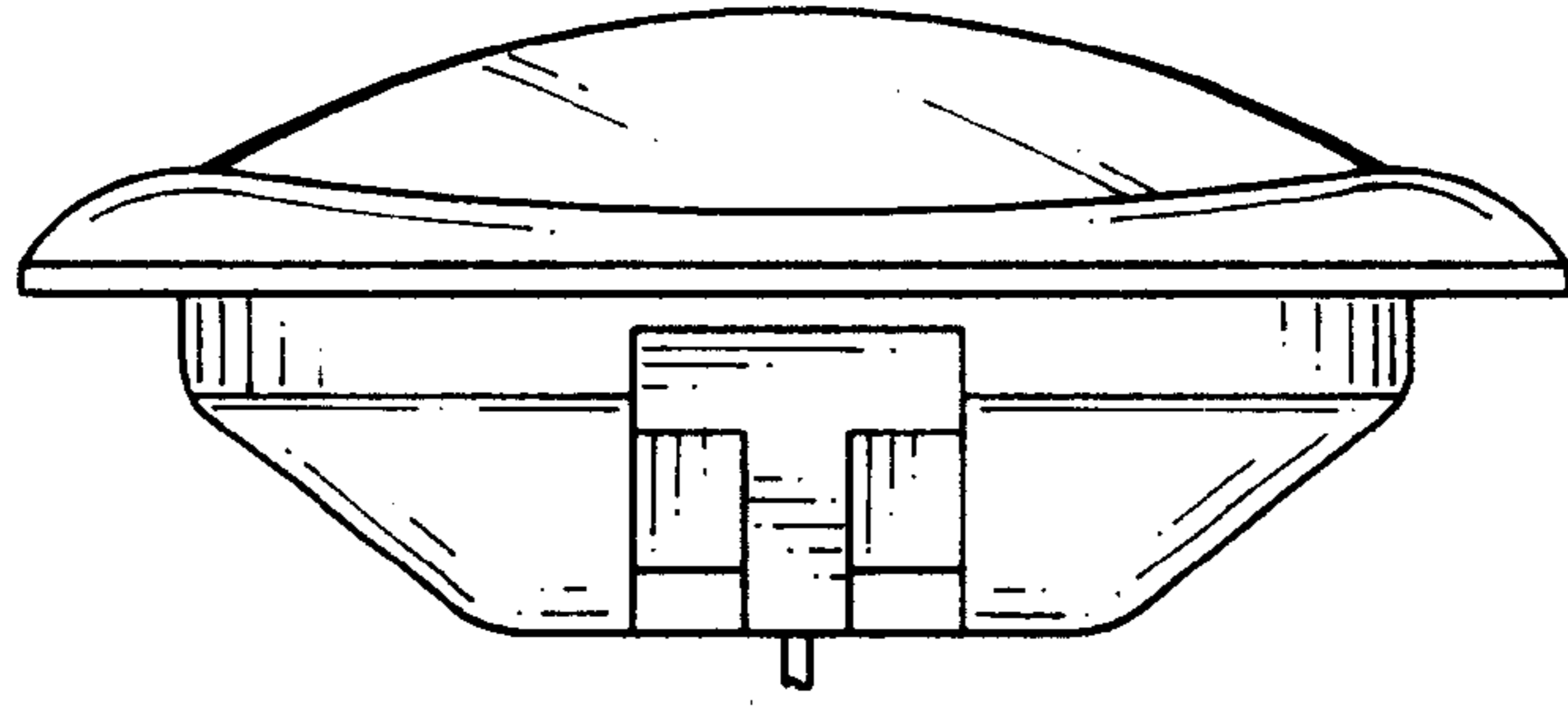


FIG. 4

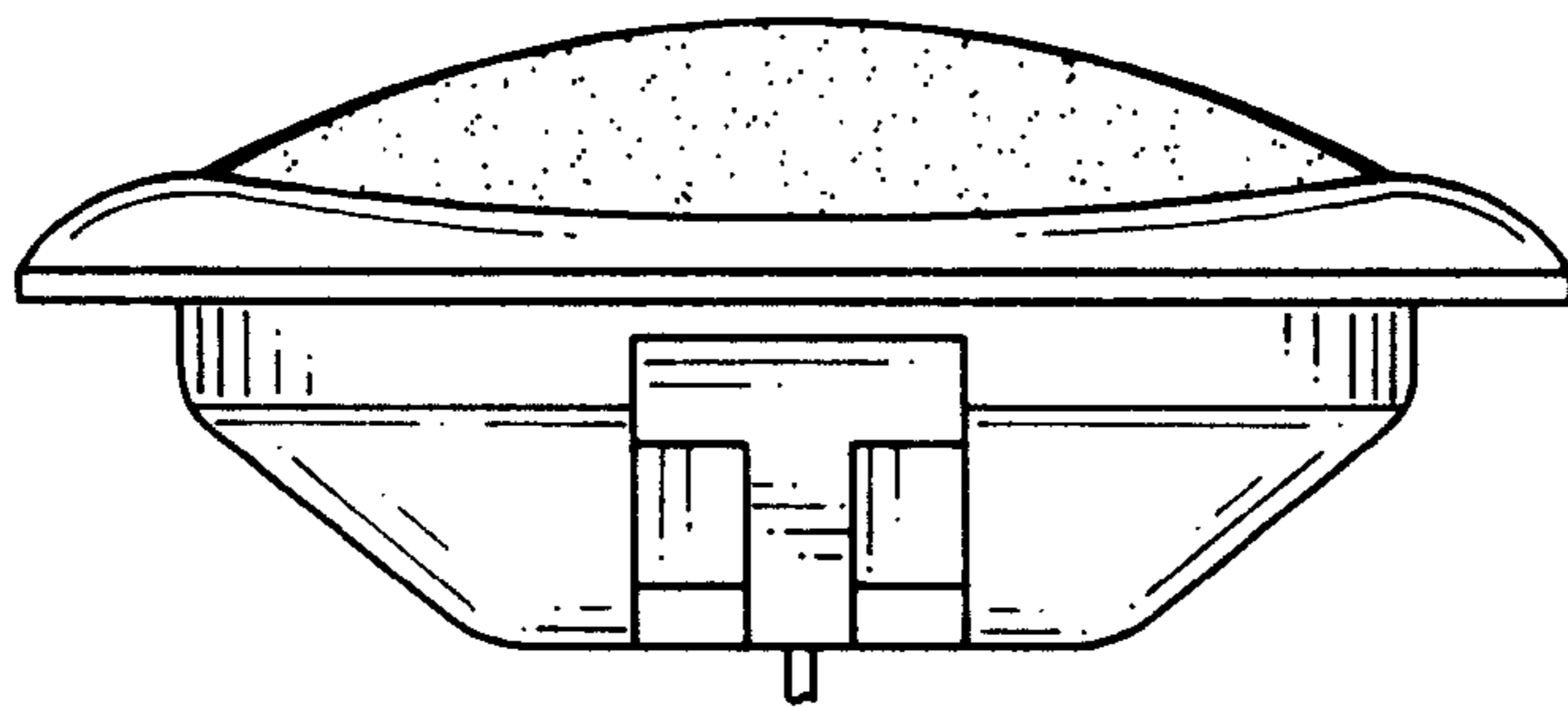


FIG. 5

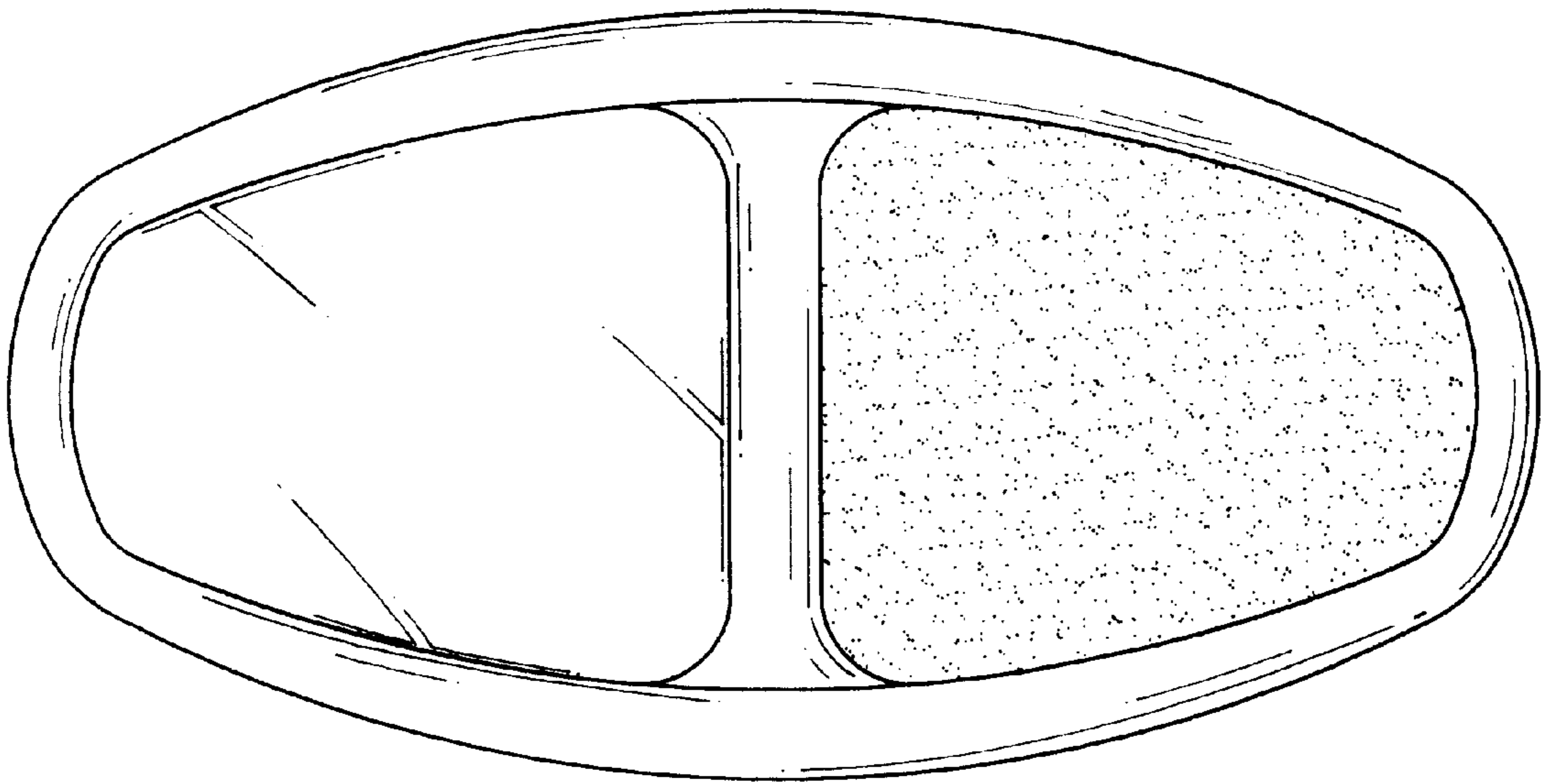


FIG. 6

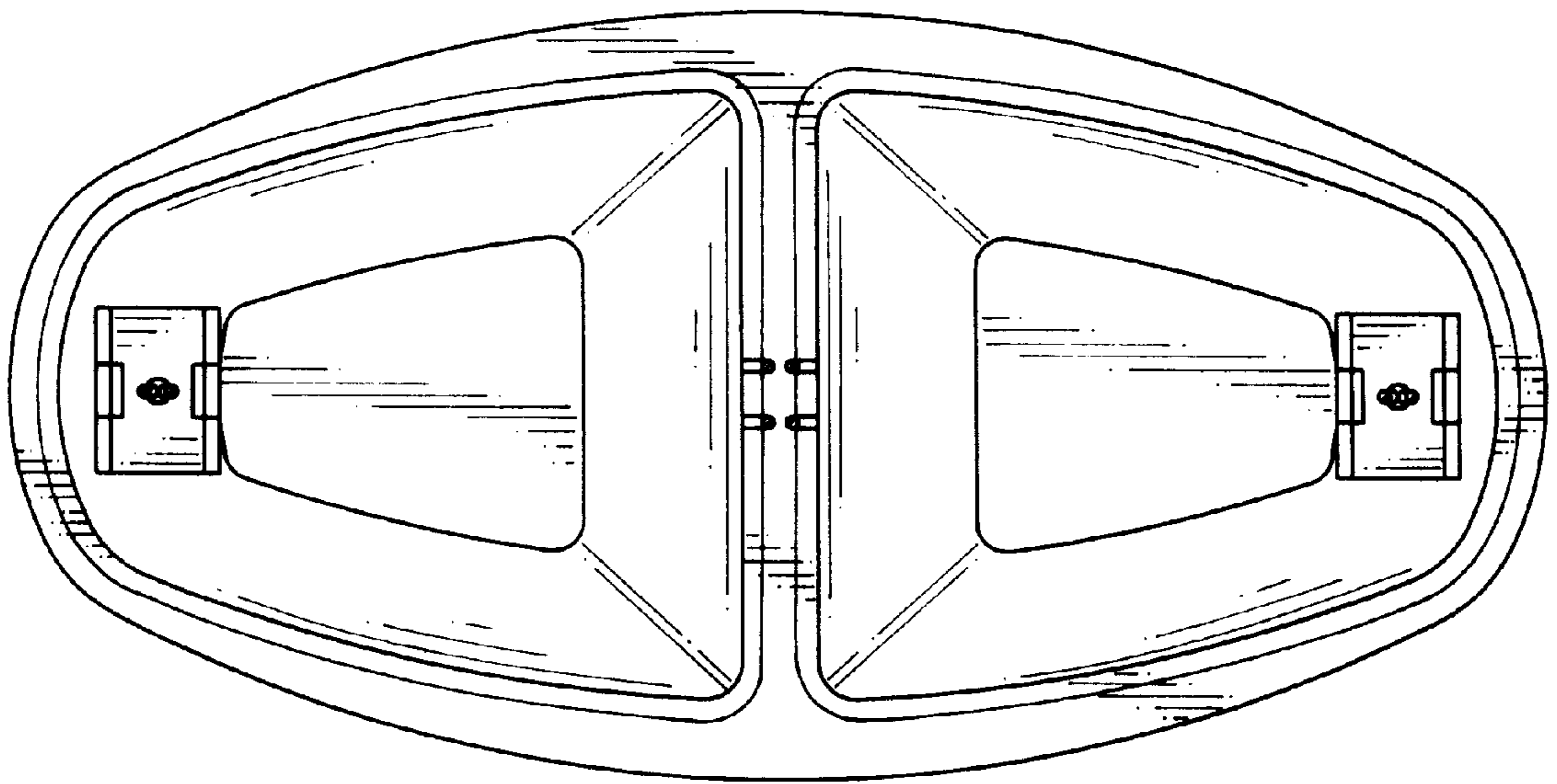


FIG. 7

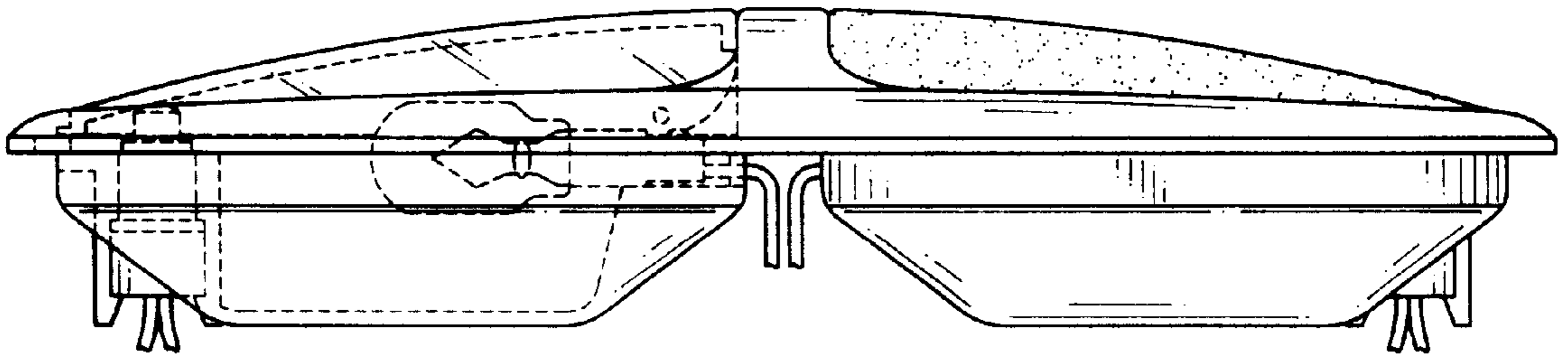


FIG. 8