



US00D419248S

United States Patent [19] Lyons

[11] Patent Number: **Des. 419,248**

[45] Date of Patent: **** Jan. 18, 2000**

[54] **REFLECTOR FOR A DIRECTIONAL WARNING LIGHT**

[75] Inventor: **Harold W. Lyons**, Edgewater, Fla.

[73] Assignee: **Whelen Engineering Company, Inc.**,
Chester, Conn.

[**] Term: **14 Years**

[21] Appl. No.: **29/089,856**

[22] Filed: **Jun. 24, 1998**

[51] **LOC (7) Cl.** **26-06**

[52] **U.S. Cl.** **D26/28**

[58] **Field of Search** D26/28-36; 362/61,
362/74, 147, 330, 331, 336, 372

[56] **References Cited**

U.S. PATENT DOCUMENTS

- D. 387,449 12/1997 Lyons D26/28
- D. 387,451 12/1997 Lyons D26/28

D. 387,452 12/1997 Lyons D26/28

Primary Examiner—Marcus A. Jackson
Attorney, Agent, or Firm—Alix, Yale & Ristas, LLP

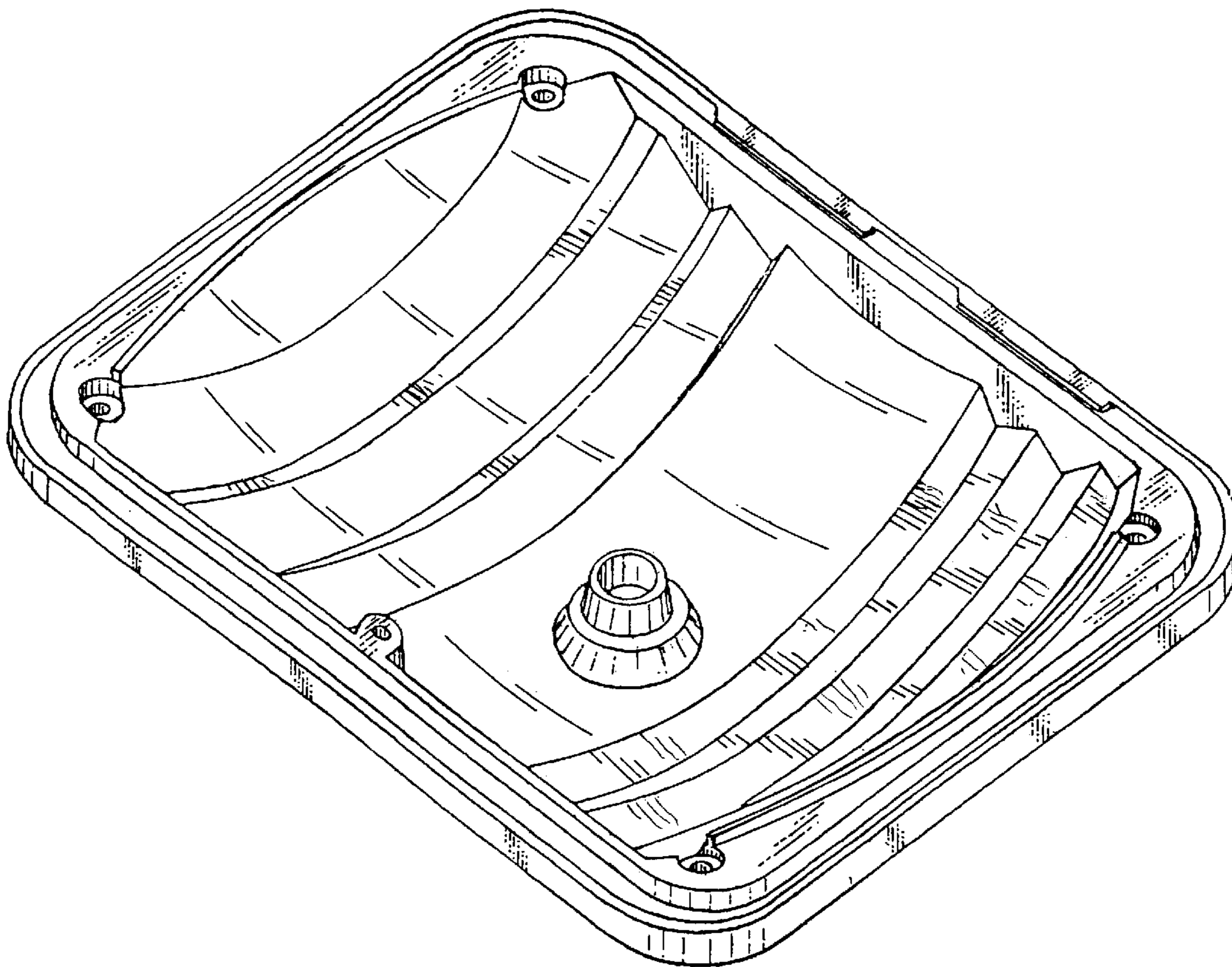
[57] **CLAIM**

The ornamental design for a reflector for a directional warning light, as shown and described.

DESCRIPTION

FIG. 1 is a perspective view of a reflector for a directional warning light showing my new design;
 FIG. 2 is a front elevation view thereof;
 FIG. 3 is a side elevational view thereof, the reflector appearing the same when viewed from the opposite side; and,
 FIG. 4 is a top view thereof, the reflector appearing the same when viewed from the bottom.
 The appearance of my new design, as seen from the rear, forms no part of the claimed design.

1 Claim, 3 Drawing Sheets



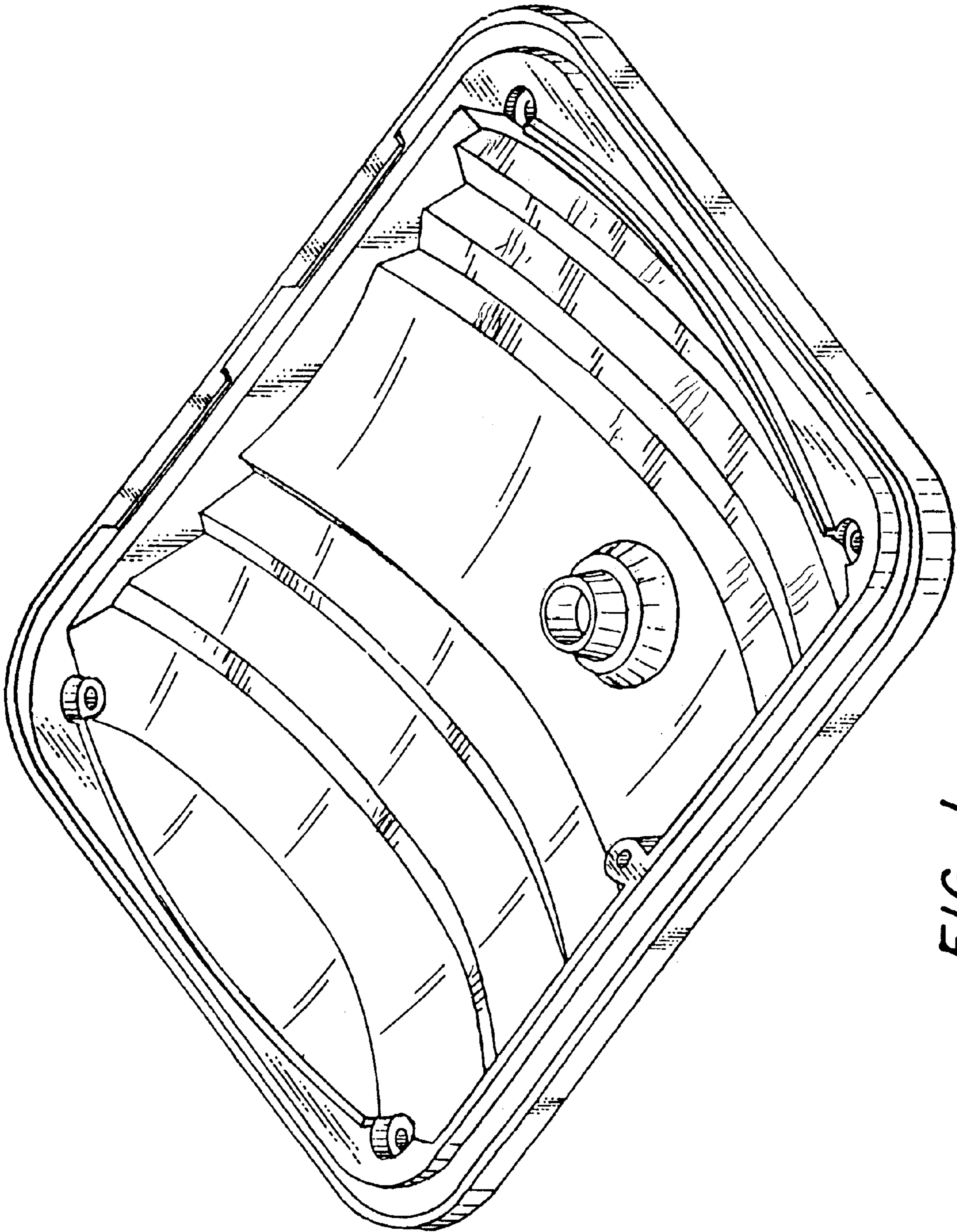


FIG. 1

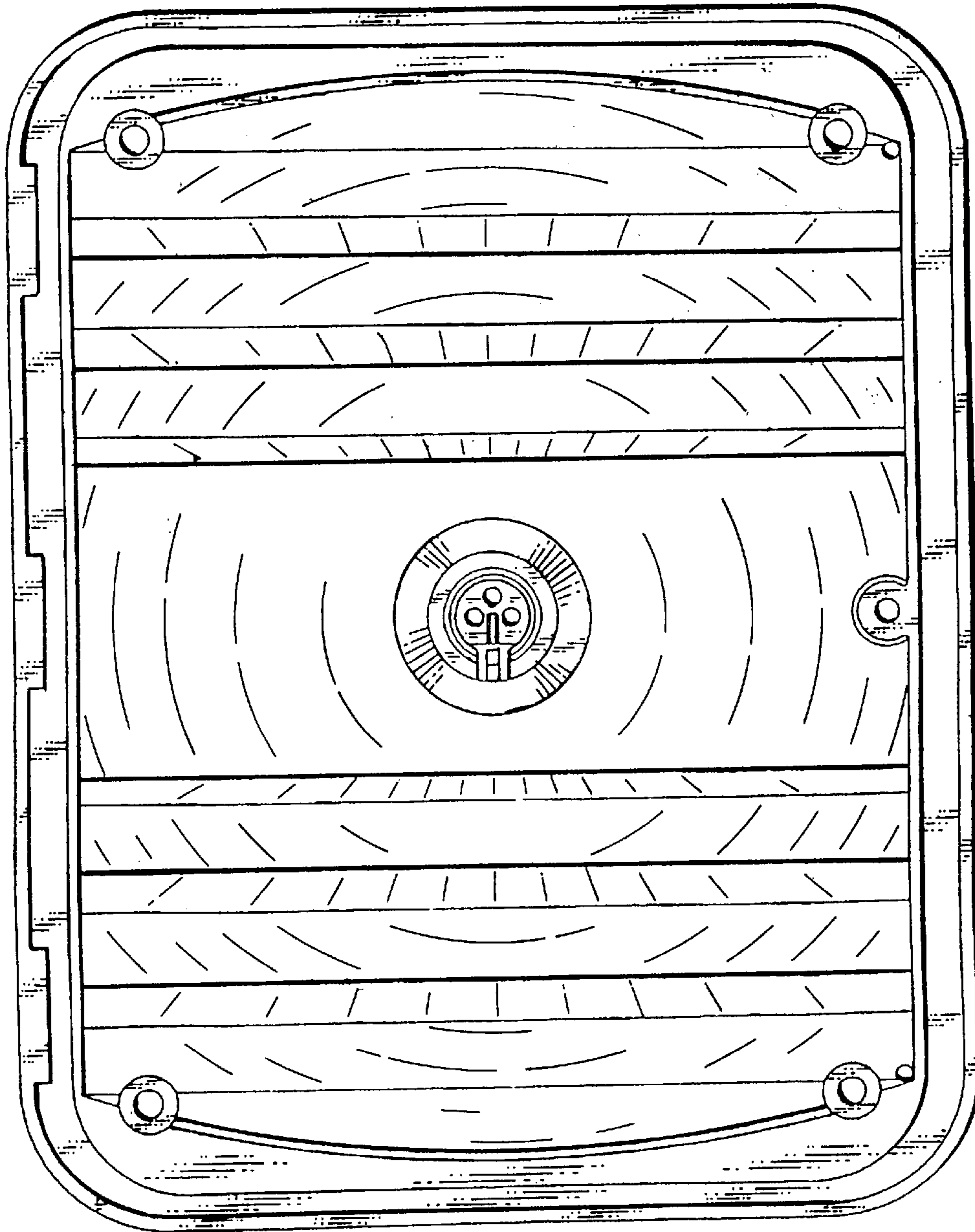


FIG. 2

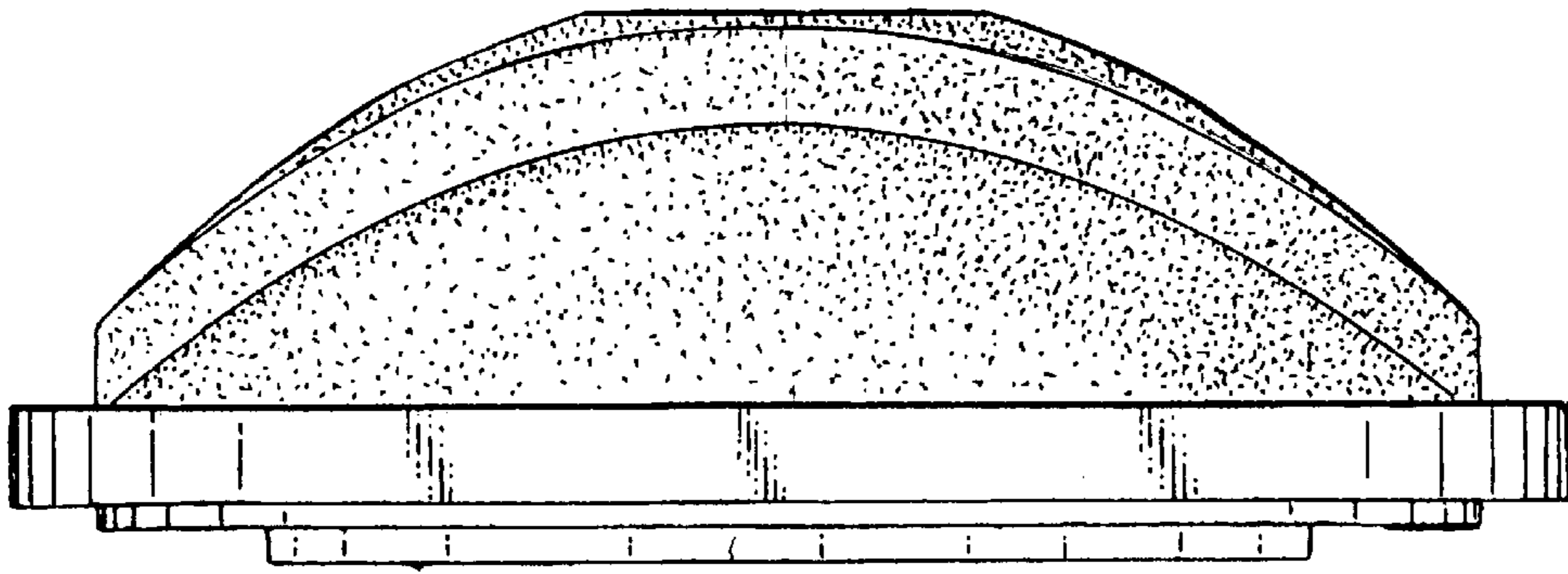


FIG. 3

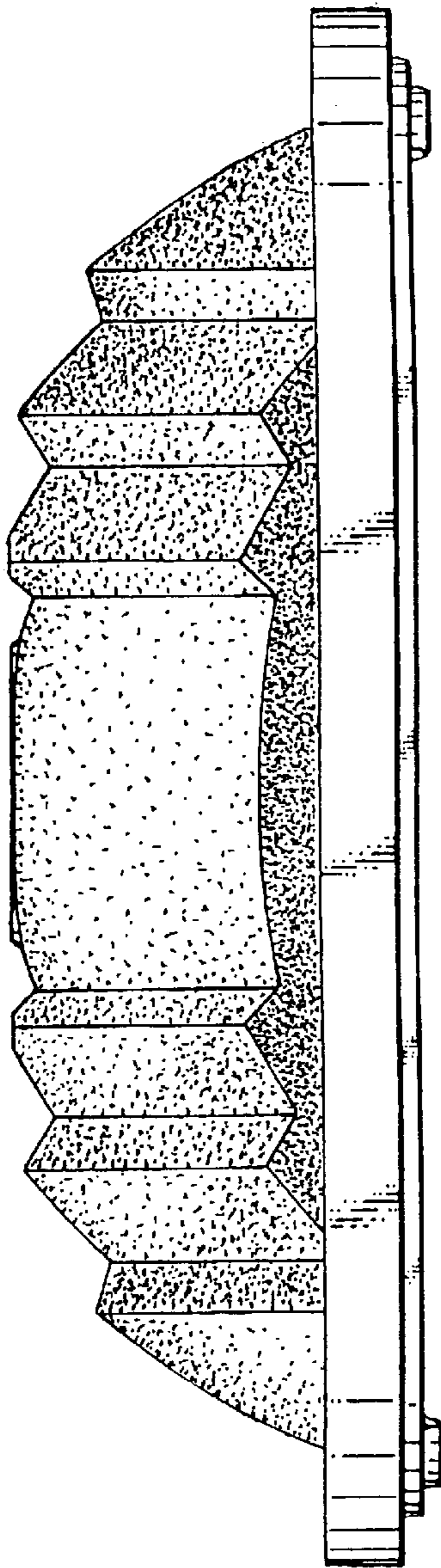


FIG. 4