



US00D419247S

**United States Patent** [19]  
**Kessler**

[11] **Patent Number: Des. 419,247**

[45] **Date of Patent: \*\* Jan. 18, 2000**

[54] **LIGHT-UP BALL**

[75] Inventor: **Brian Kessler**, Las Vegas, Nev.

[73] Assignee: **Maui Toys, Inc.**, Los Angeles, Calif.

[\*\*] Term: **14 Years**

[21] Appl. No.: **29/096,121**

[22] Filed: **Nov. 5, 1998**

[51] **LOC (7) Cl.** ..... **26-04**

[52] **U.S. Cl.** ..... **D26/1**

[58] **Field of Search** ..... D26/1, 2, 3, 25;  
362/240, 244, 246, 249, 250, 252, 806,  
807, 808, 812

[56] **References Cited**

**U.S. PATENT DOCUMENTS**

D. 401,365 11/1998 Ziu ..... D26/25

*Primary Examiner*—Marcus A. Jackson  
*Attorney, Agent, or Firm*—Browdy and Neimark

[57] **CLAIM**

A new original design for a light-up ball, as shown and described.

**DESCRIPTION**

FIG. 1 is a perspective view of a light-up ball showing my design;

FIG. 2 is a front elevational view thereof;

FIG. 3 is a rear elevational view thereof;

FIG. 4 is a right elevational view thereof;

FIG. 5 is a left elevational view thereof;

FIG. 6 is a top view thereof; and,

FIG. 7 is a bottom view.

The broken lines shown in FIGS. 1–7 are for illustrative purposes only and form no part of the claimed design.

**1 Claim, 1 Drawing Sheet**

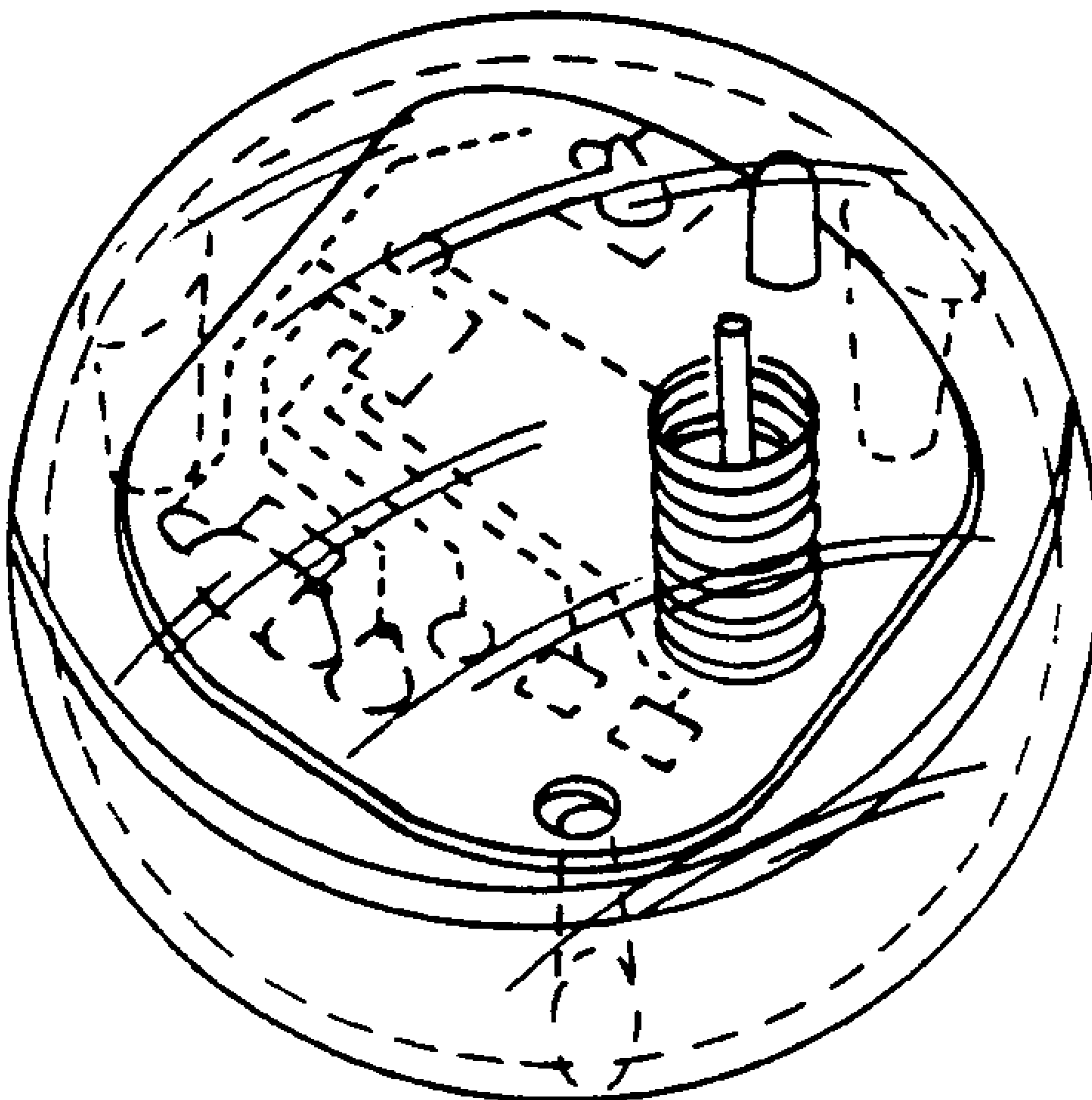


FIG. 1

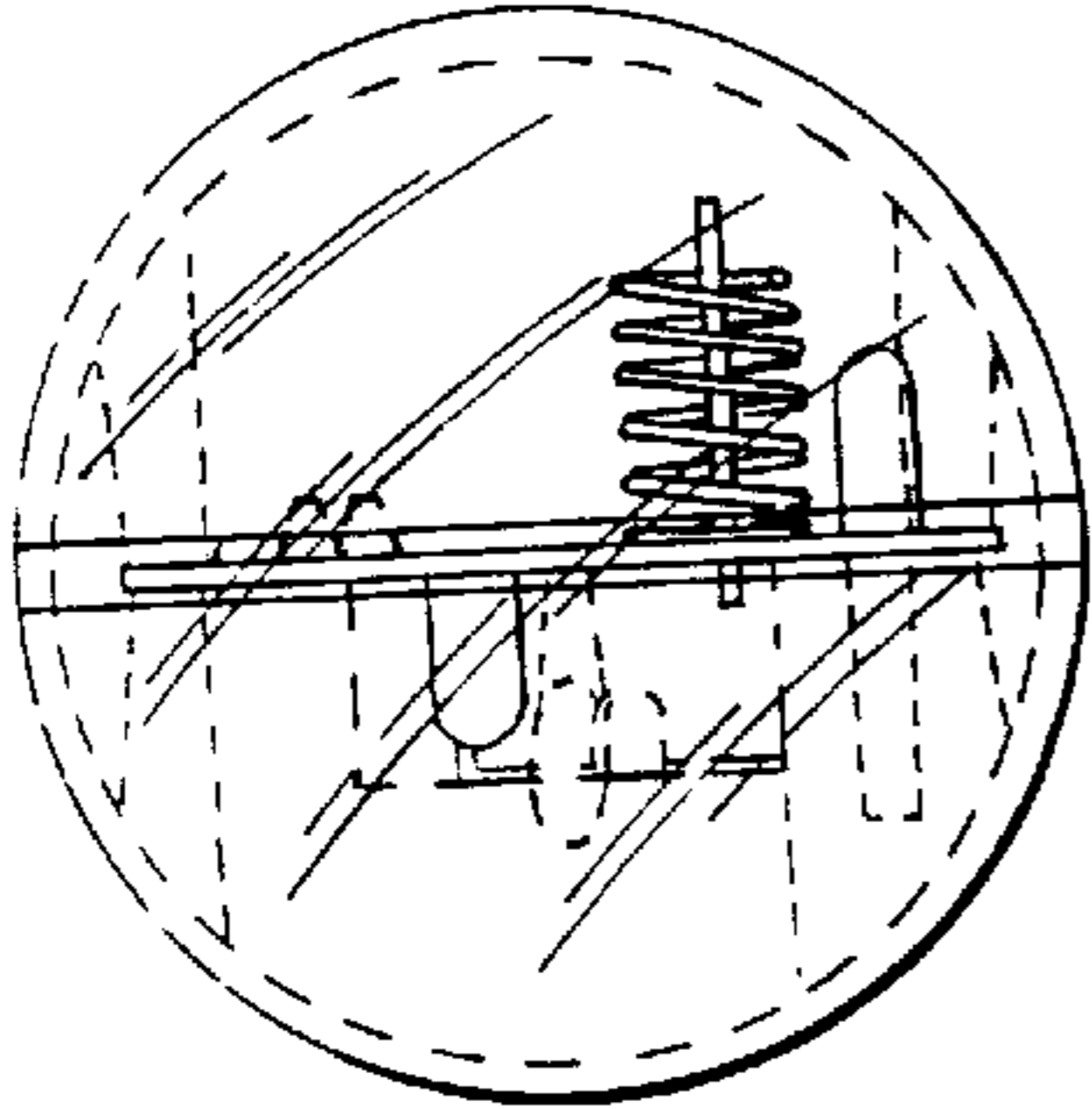
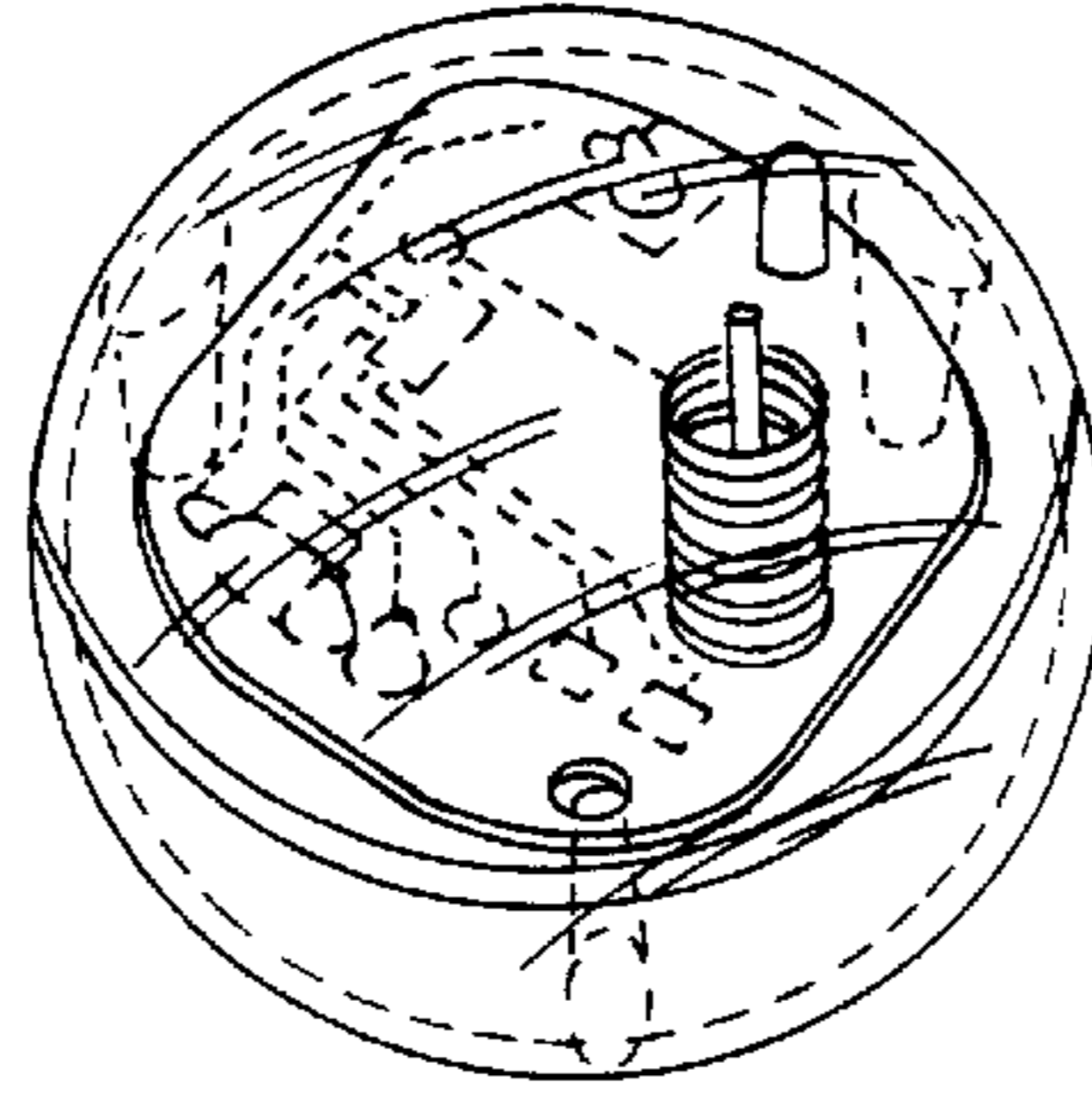


FIG. 2

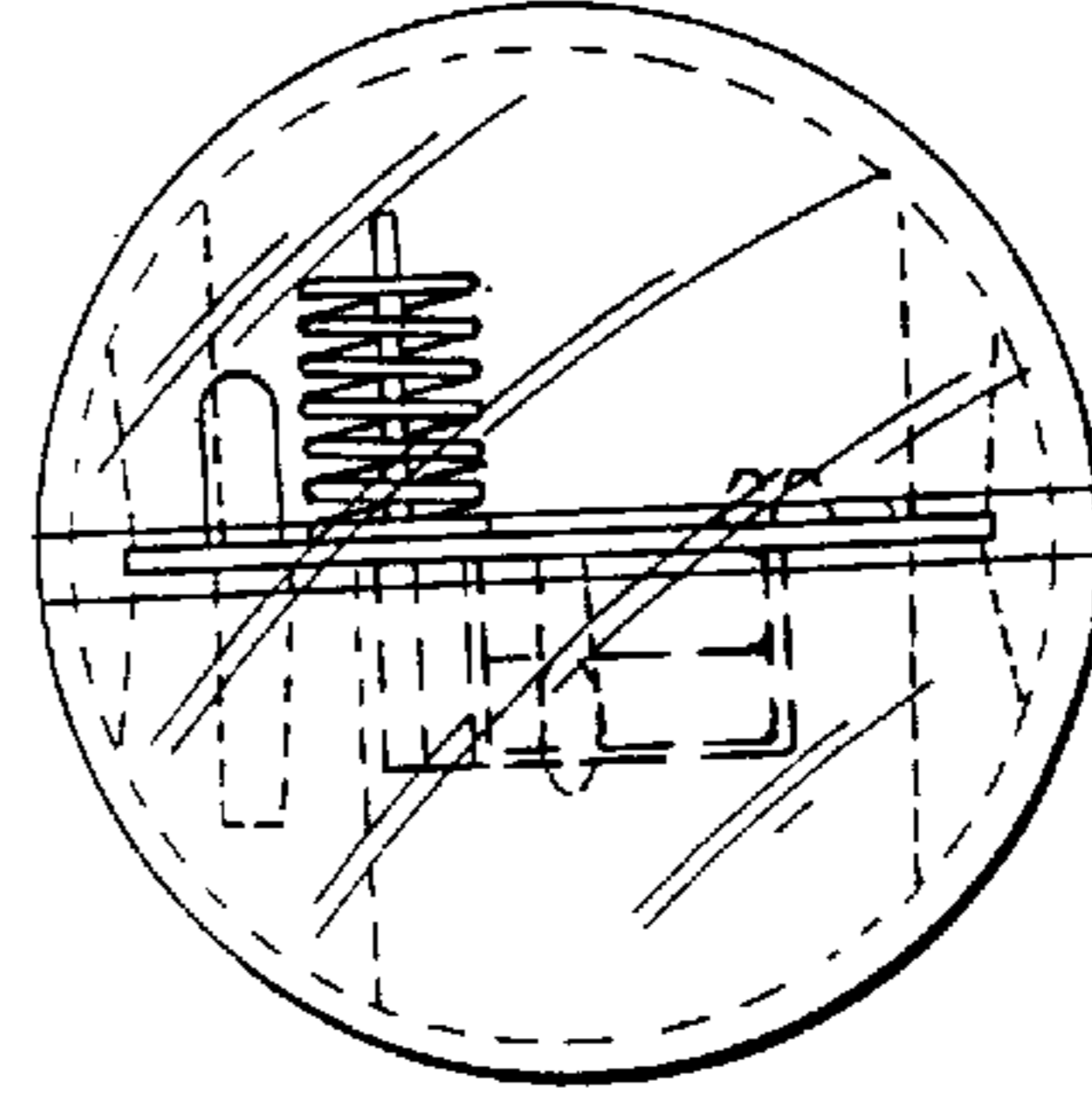


FIG. 3

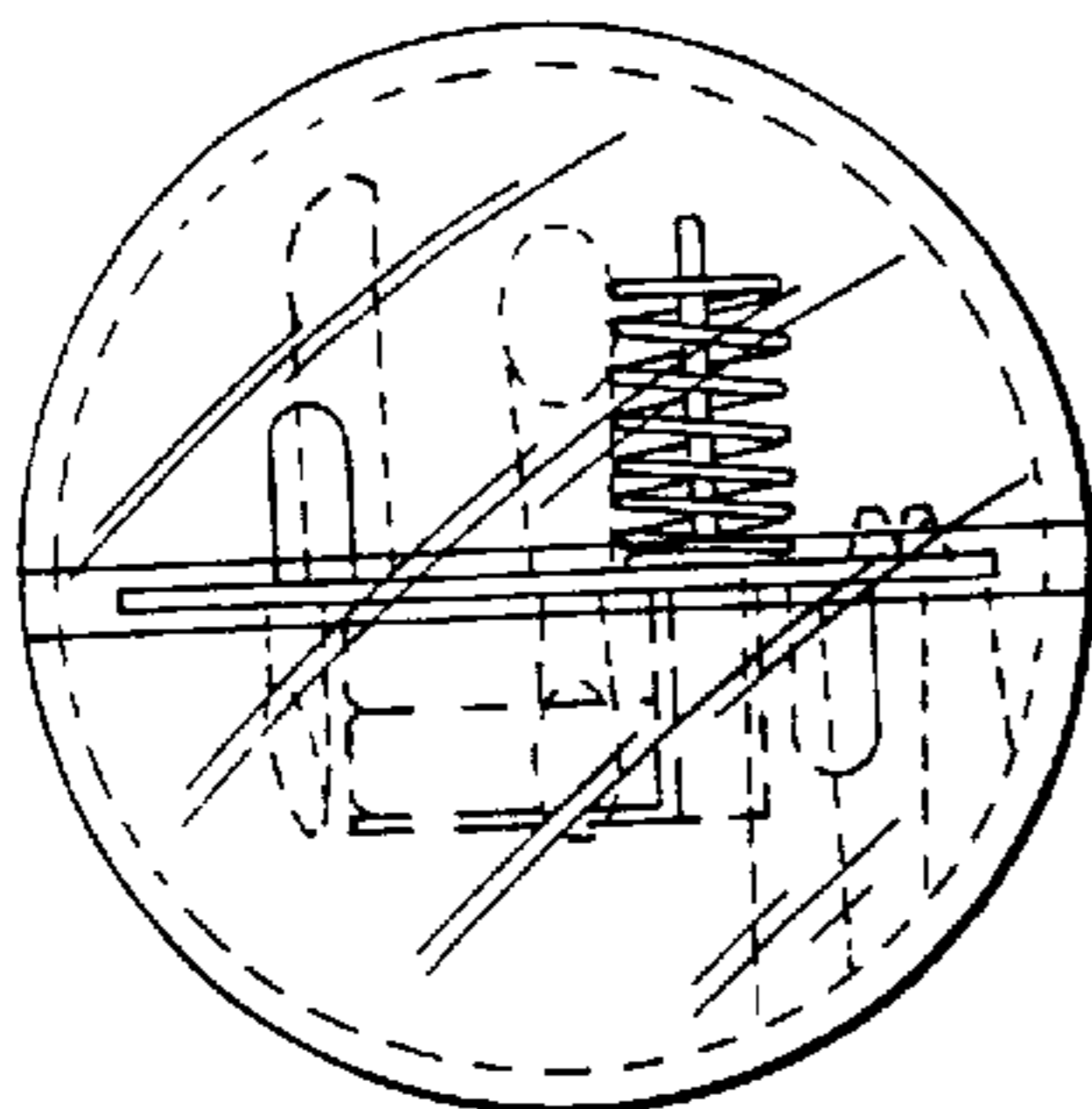


FIG. 4

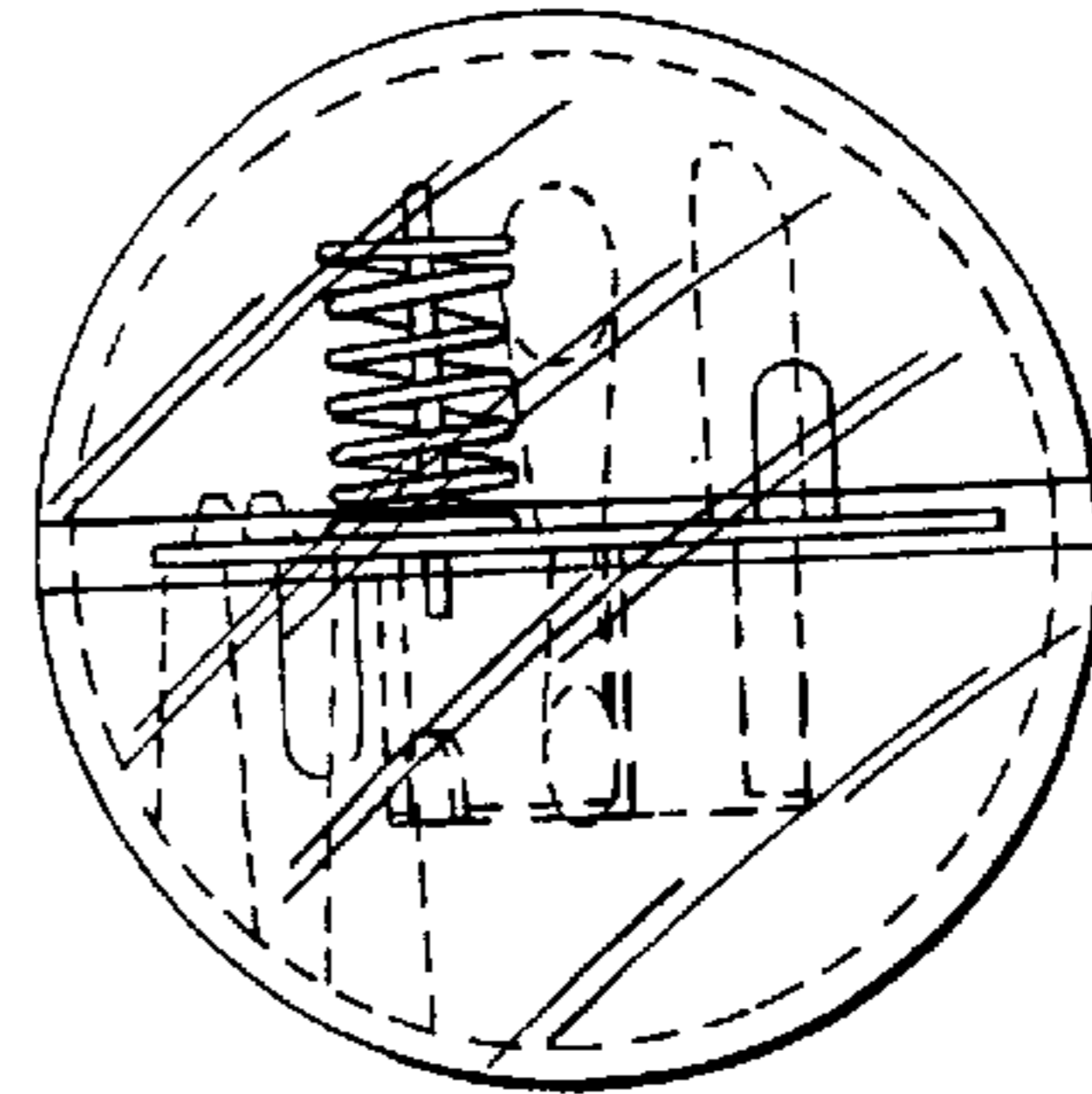


FIG. 5

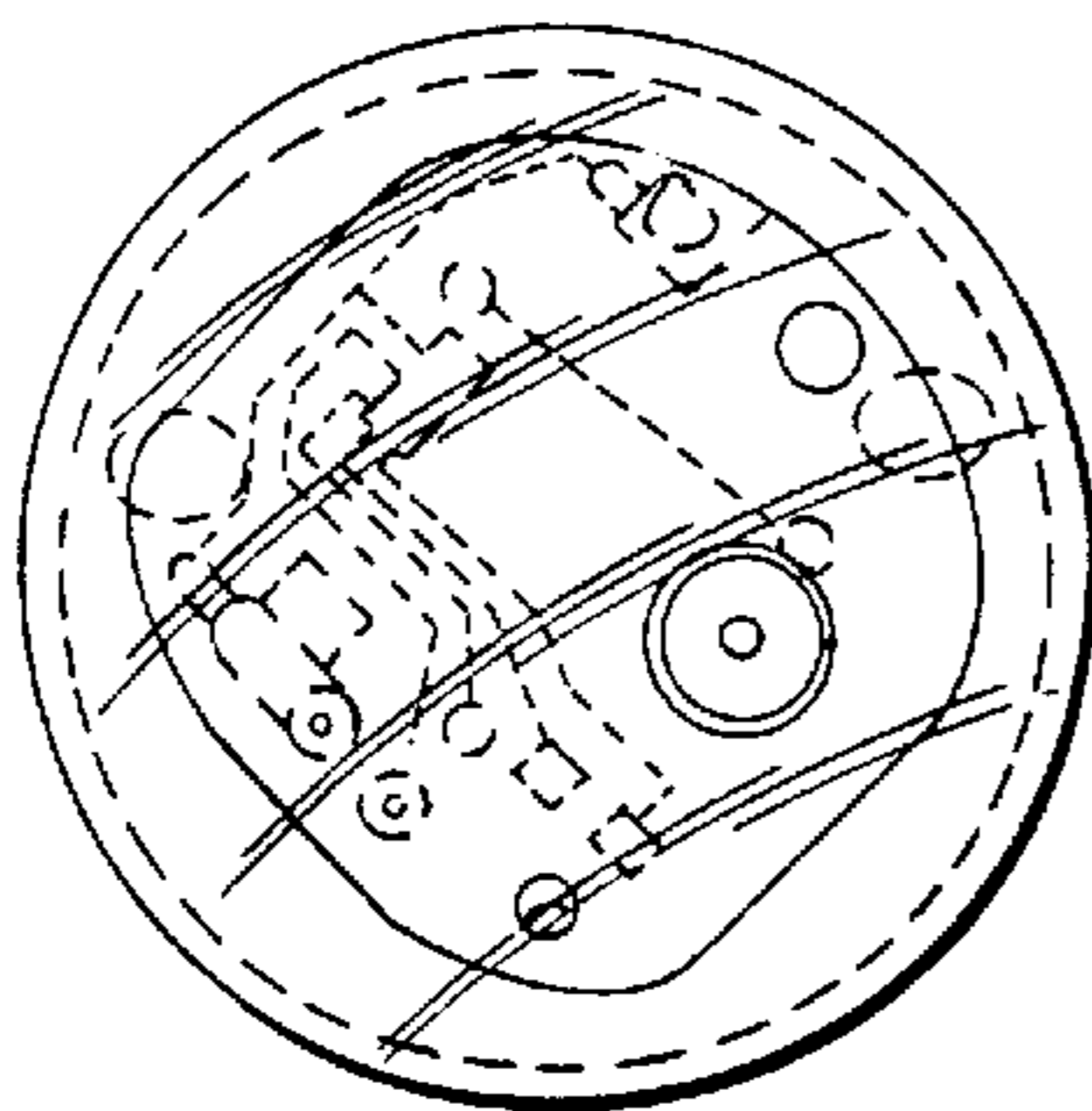


FIG. 6

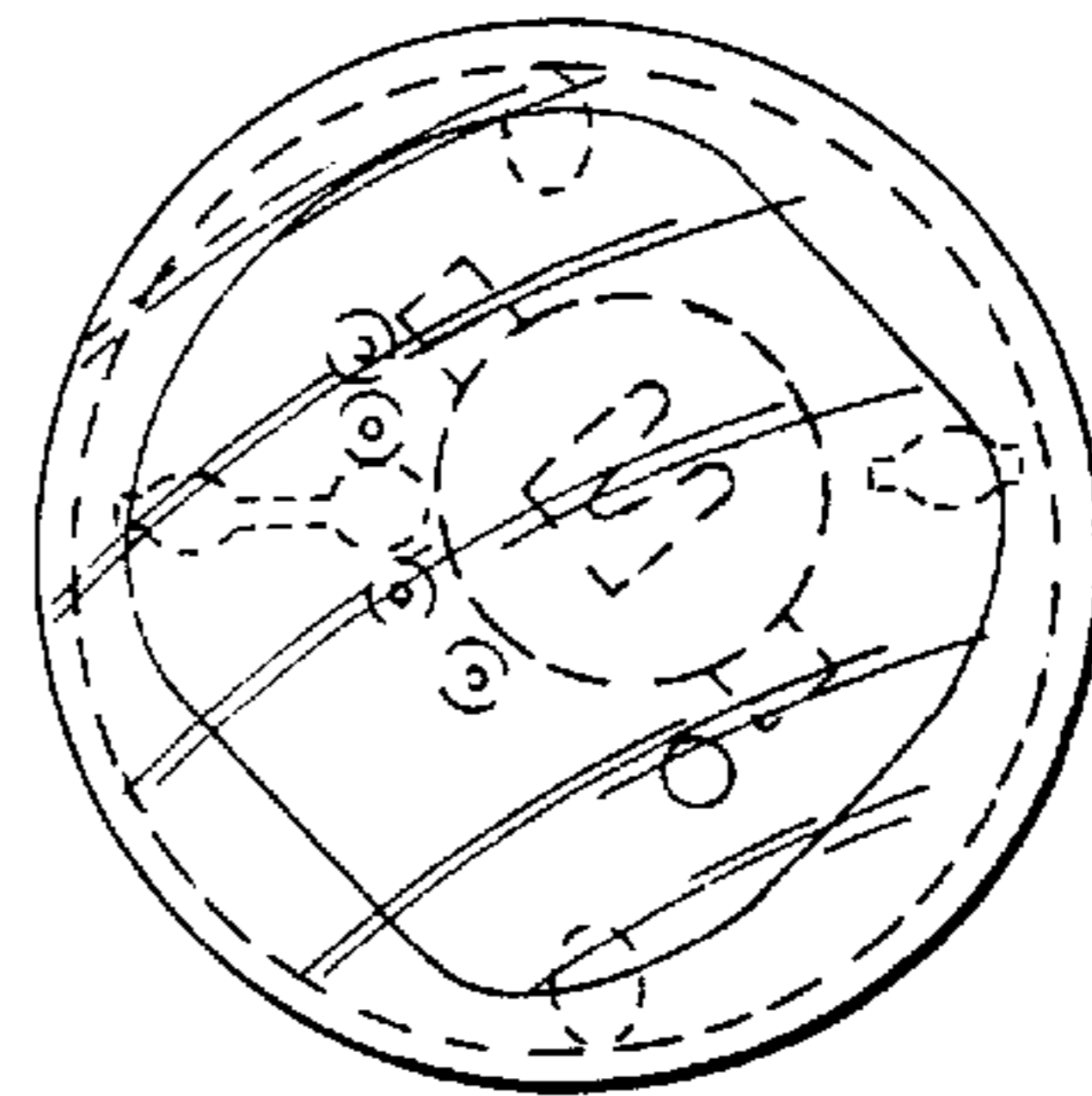


FIG. 7