



US00D419243S

# United States Patent [19] Goch

[11] **Patent Number: Des. 419,243**  
[45] **Date of Patent: \*\* Jan. 18, 2000**

[54] **LADDER LEG EXTENSION**

[76] Inventor: **Gregory Goch**, 15707 SE. 175th Pl.,  
Renton, Wash. 98058

[\*\*] Term: **14 Years**

[21] Appl. No.: **29/103,121**

[22] Filed: **Apr. 8, 1999**

[51] **LOC (7) Cl.** ..... **25-04**

[52] **U.S. Cl.** ..... **D25/68**

[58] **Field of Search** ..... D25/68; 182/107,  
182/108

[56] **References Cited**

**U.S. PATENT DOCUMENTS**

D. 373,428 9/1996 Nashleanas et al. .... D25/68  
5,222,575 6/1993 Santos ..... 182/108

*Primary Examiner*—Doris Clark

[57] **CLAIM**

The ornamental design for a ladder leg extension, as shown.

**DESCRIPTION**

FIG. 1 is a front elevational view of the ladder leg extension of the present invention;

FIG. 2 is a back elevational view of the ladder leg extension of FIG. 1;

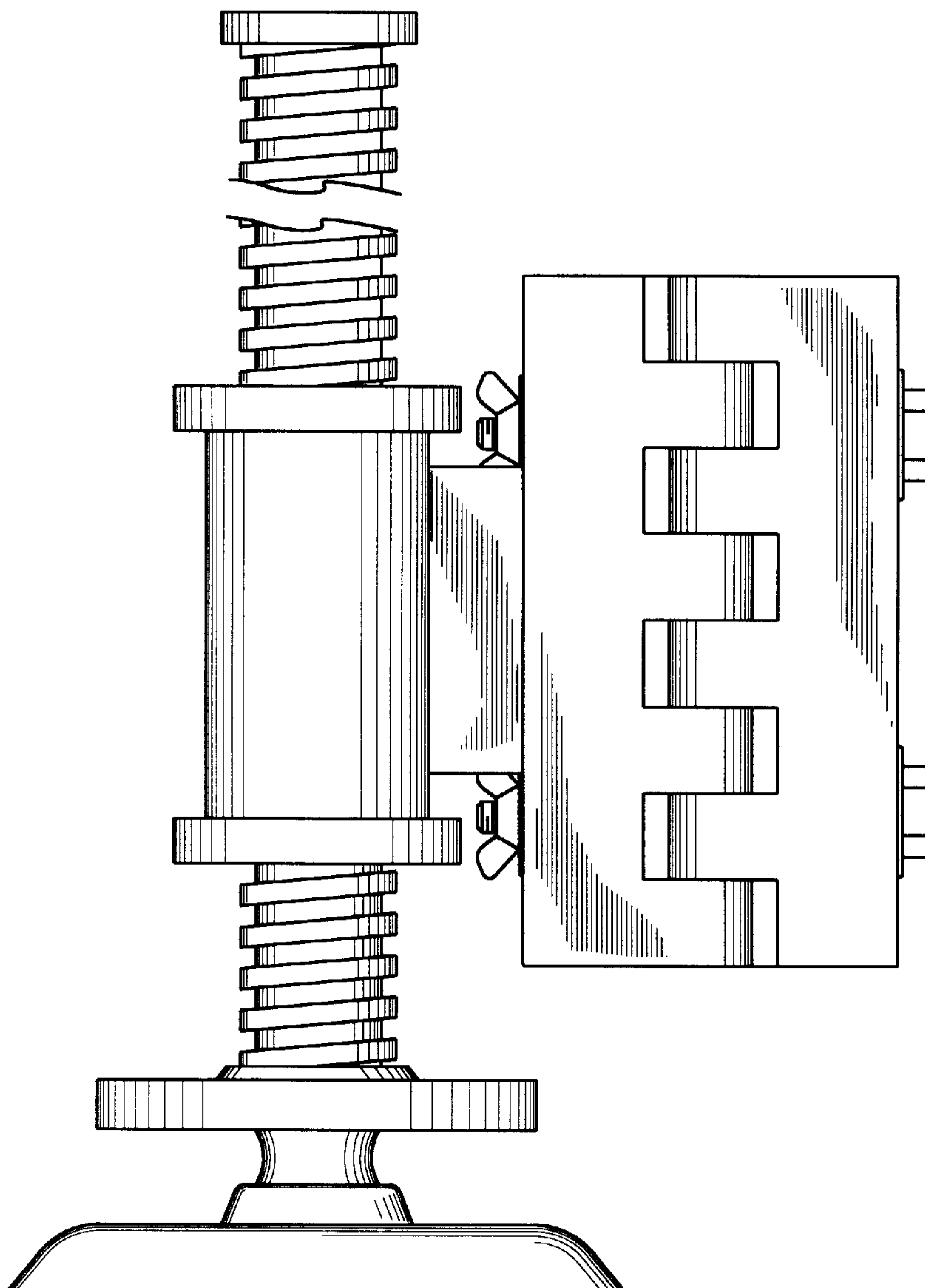
FIG. 3 is a left side elevational view of the ladder leg extension of FIG. 1;

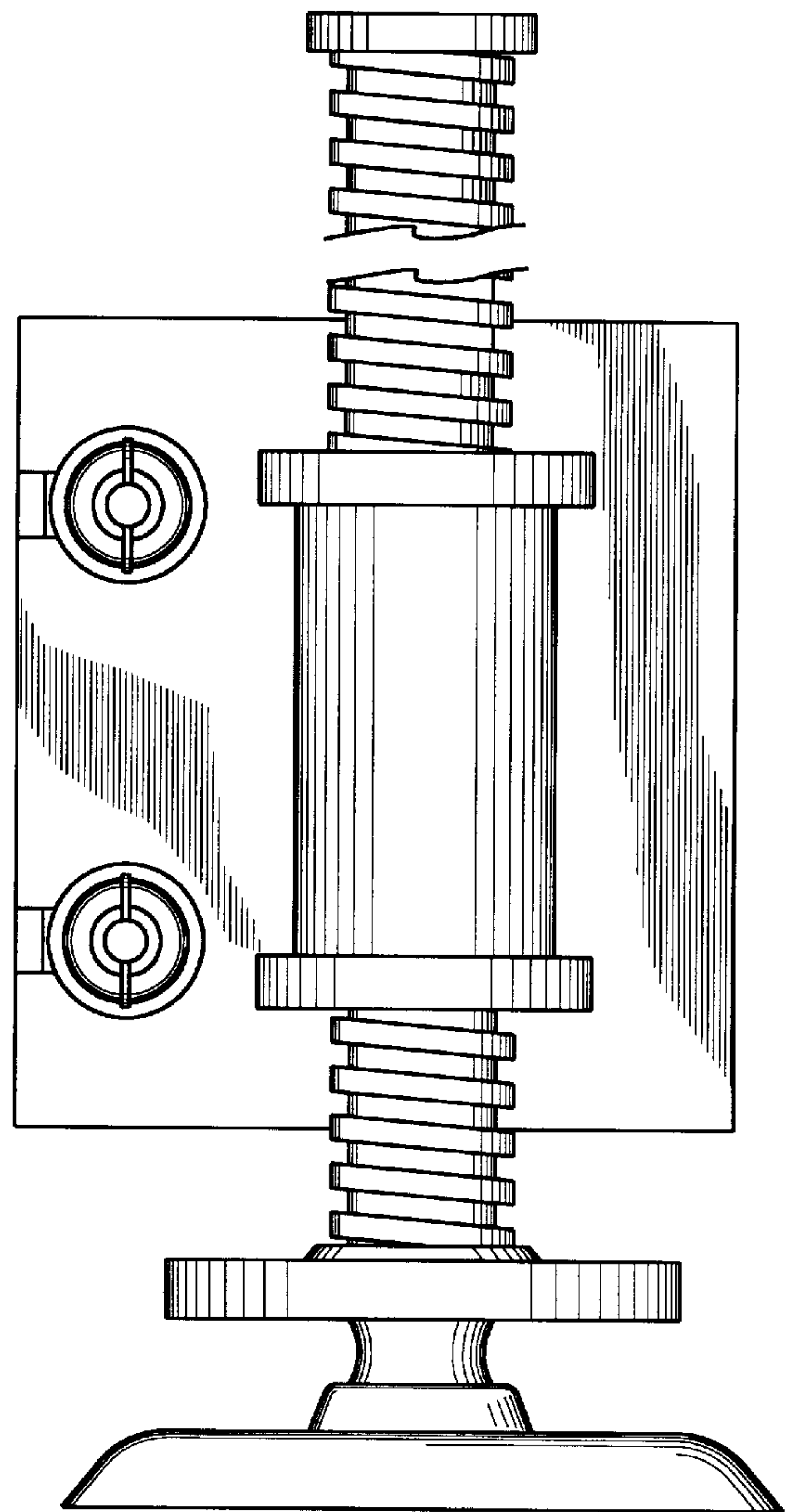
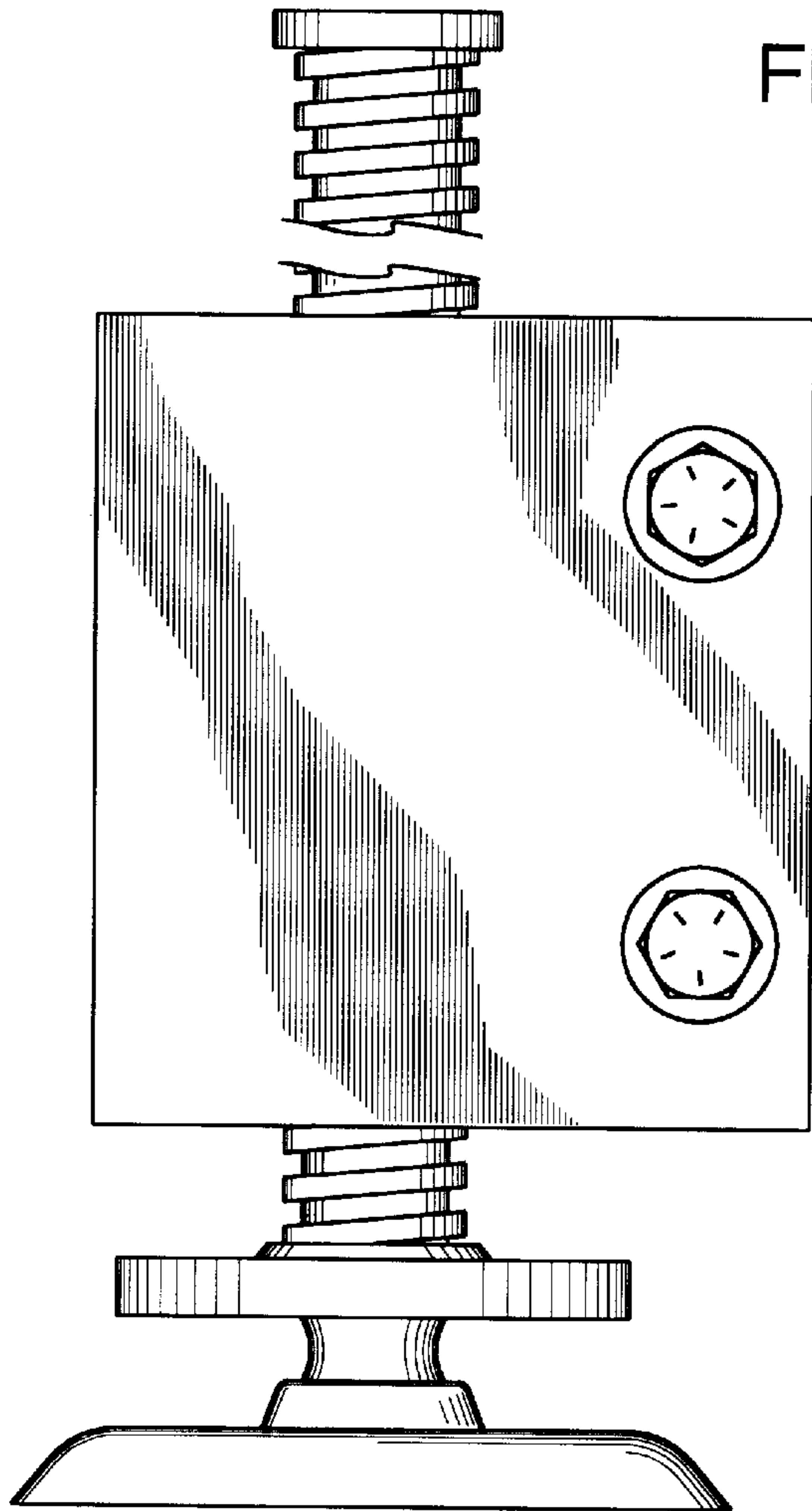
FIG. 4 is a right side elevational view of the ladder leg extension of FIG. 1;

FIG. 5 is a top plan view of the ladder leg extension of FIG. 1; and,

FIG. 6 is a bottom plan view of the ladder leg extension of FIG. 1.

**1 Claim, 3 Drawing Sheets**





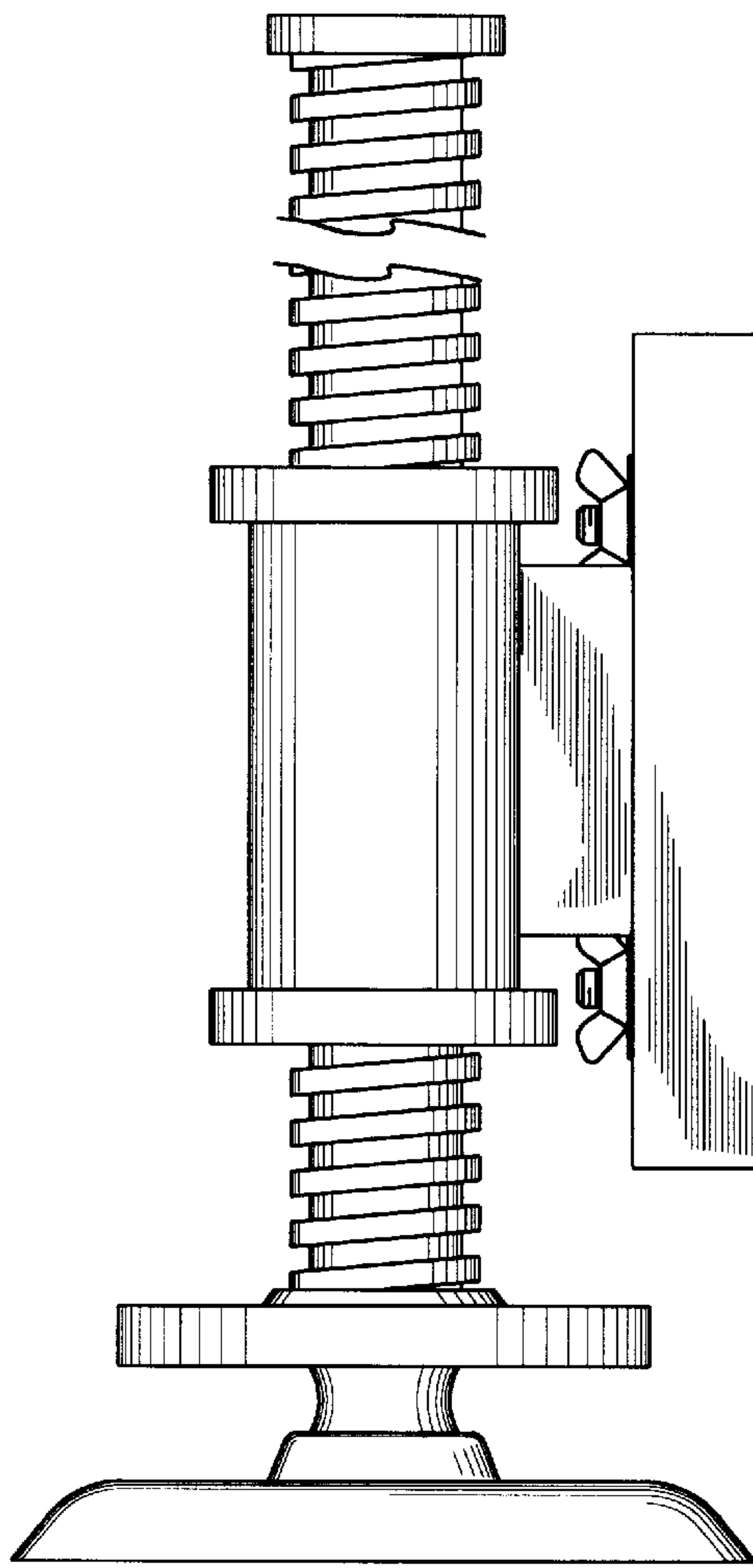


FIG. 3

FIG. 4

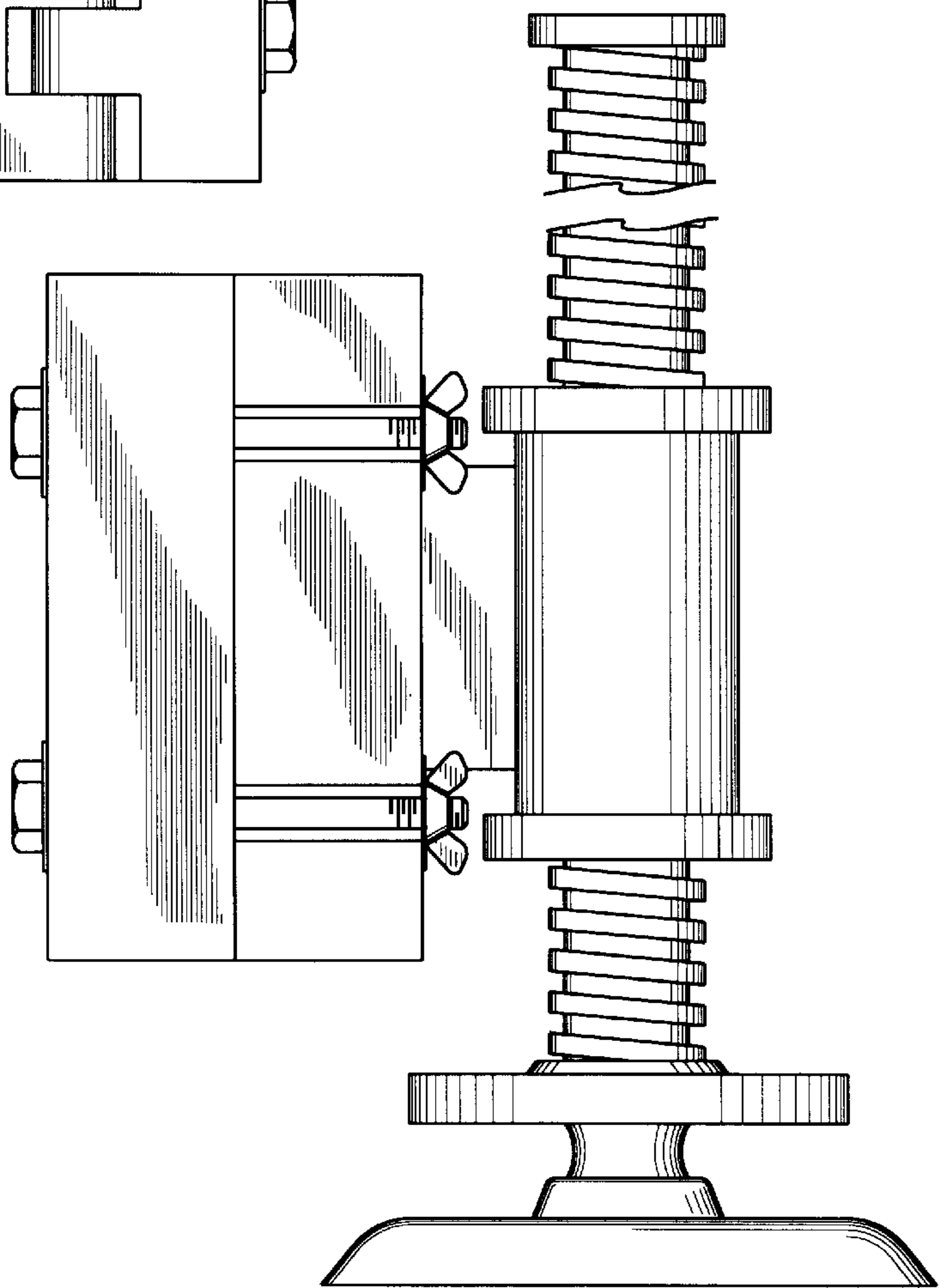


FIG. 5

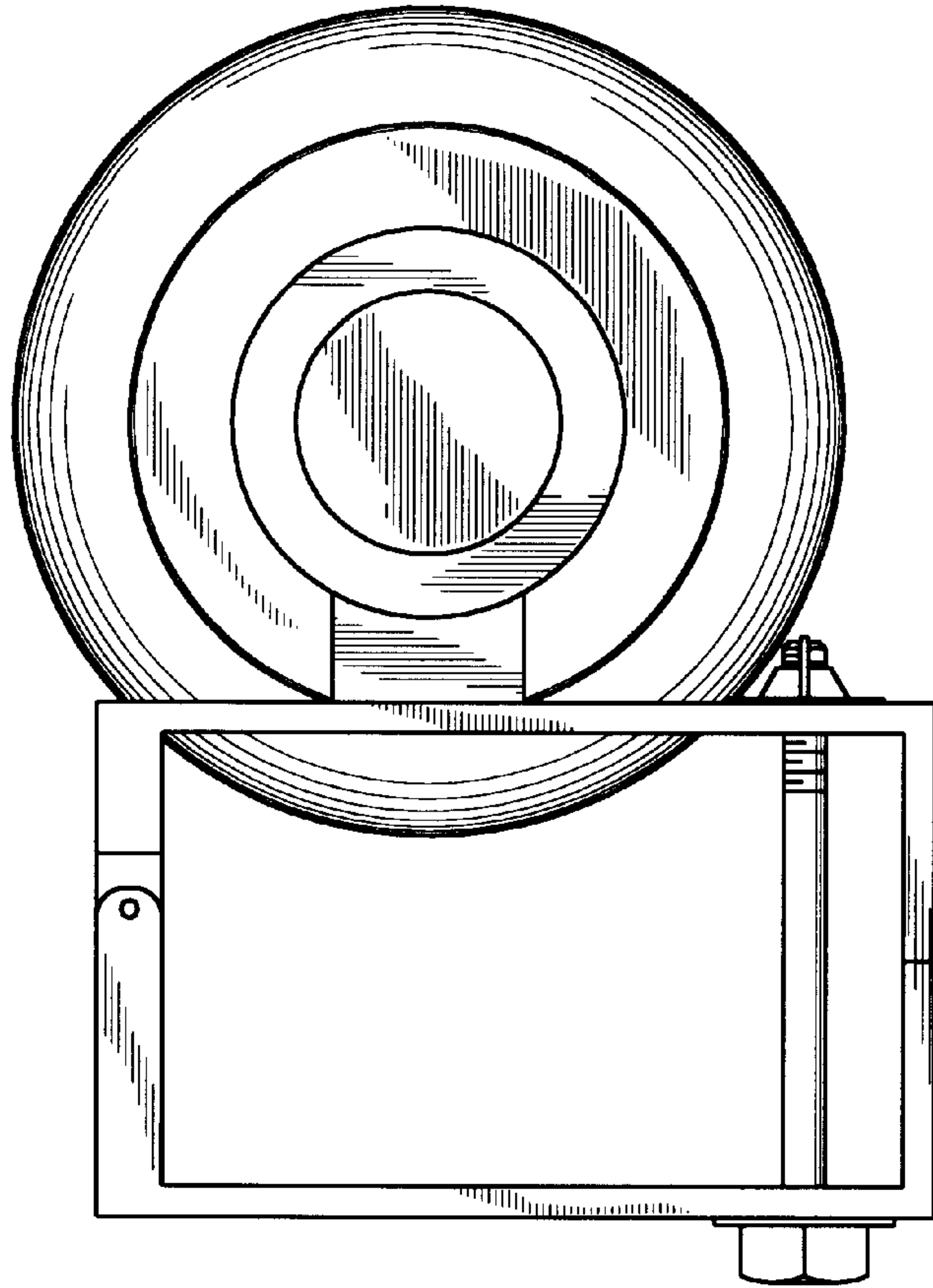


FIG. 6

