



US00D419242S

United States Patent [19]
Coons

[11] **Patent Number: Des. 419,242**
[45] **Date of Patent: ** Jan. 18, 2000**

[54] **PORTABLE DOCK FENDER**
[75] Inventor: **David R. Coons**, Pickerington, Ohio
[73] Assignee: **DC Athletics, Inc.**, Groveport, Ohio
[**] Term: **14 Years**

Primary Examiner—Doris Clark
Attorney, Agent, or Firm—Vorys Sater Seymour & Pease, LLP

[21] Appl. No.: **29/103,196**
[22] Filed: **Apr. 9, 1999**

[57] **CLAIM**
The ornamental design for a portable dock fender, as shown and described.

[51] **LOC (7) Cl.** **25-02**
[52] **U.S. Cl.** **D25/35**
[58] **Field of Search** 52/2.12, 2.21,
52/3-5; D25/38, 35, 36; 405/1-7, 211,
216

DESCRIPTION

FIG. 1 is a front elevational view of a portable dock fender according to the invention, showing the fender attached to a piling in a manner reflecting its normal use in broken lines that does not form a part of the claimed design.
FIG. 2 is a front view of the portable dock fender.
FIG. 3 is a rear view of the portable dock fender.
FIG. 4 is a left side view of the portable dock fender.
FIG. 5 is a right side view of the portable dock fender.
FIG. 6 is a top view of the portable fender; and,
FIG. 7 is a bottom view of the portable dock fender.

[56] **References Cited**
U.S. PATENT DOCUMENTS
D. 310,125 8/1990 Moore D25/25
5,518,342 5/1996 Wright et al. 405/211
5,562,364 10/1996 Darder-Alomar 405/211

1 Claim, 5 Drawing Sheets

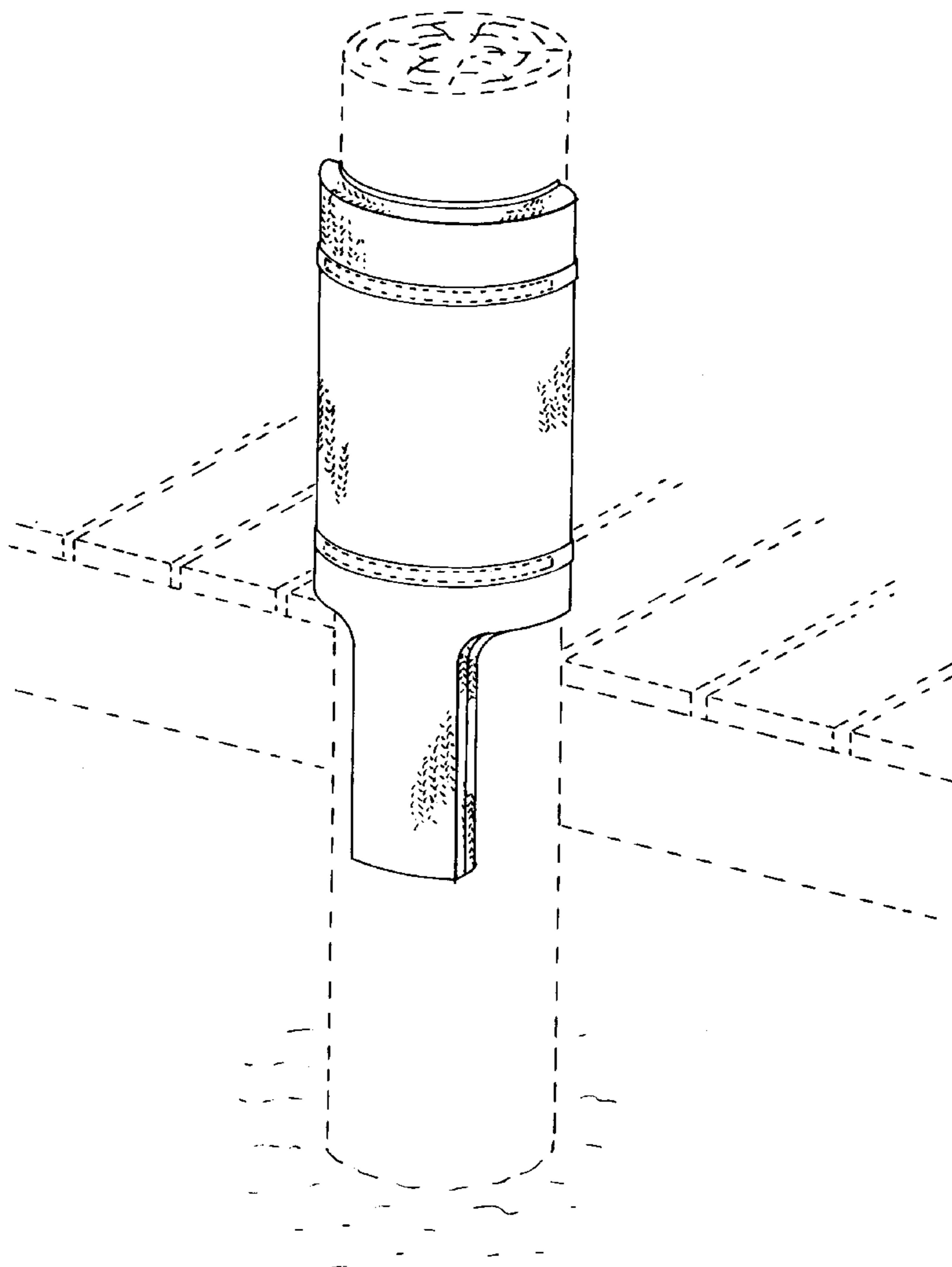
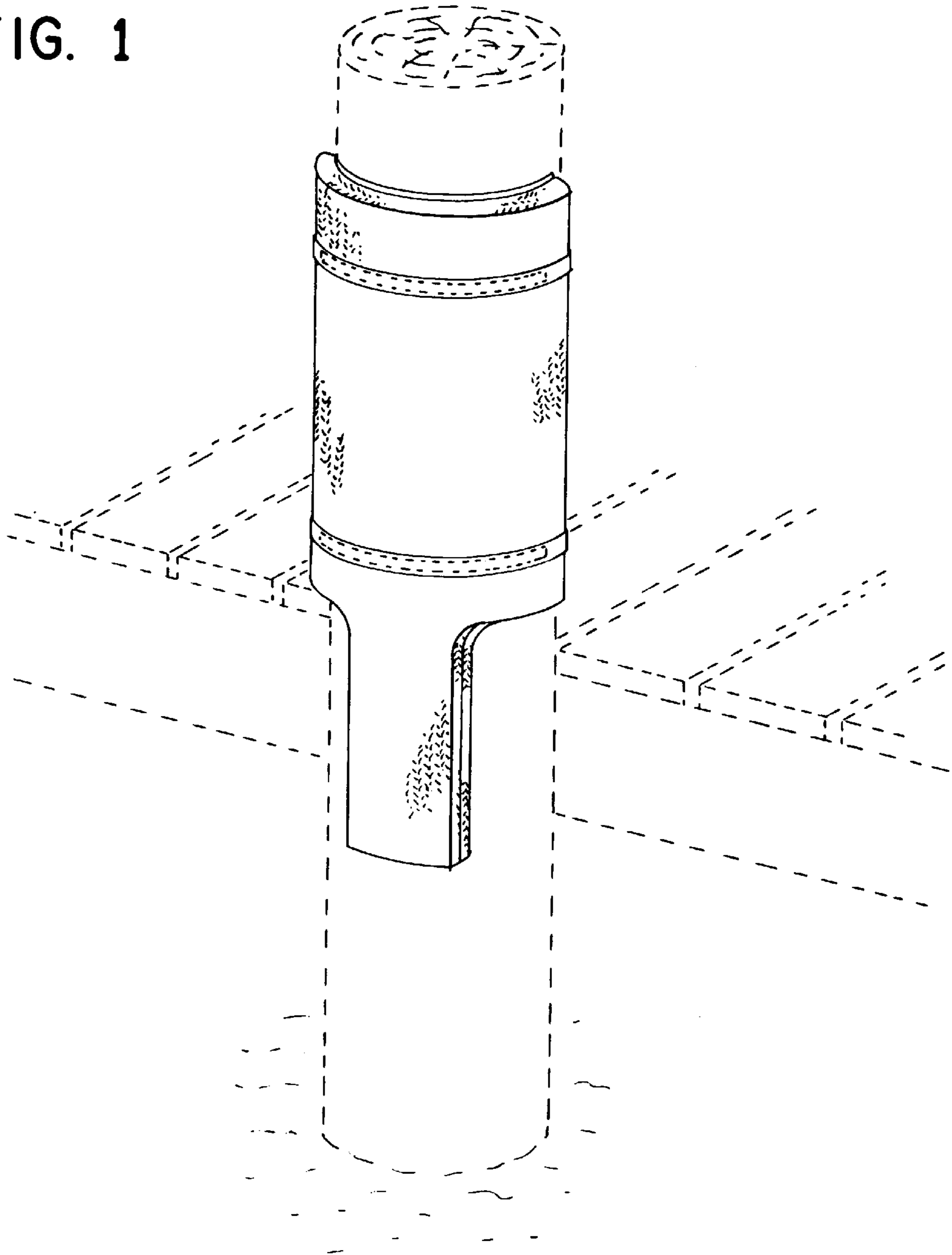


FIG. 1



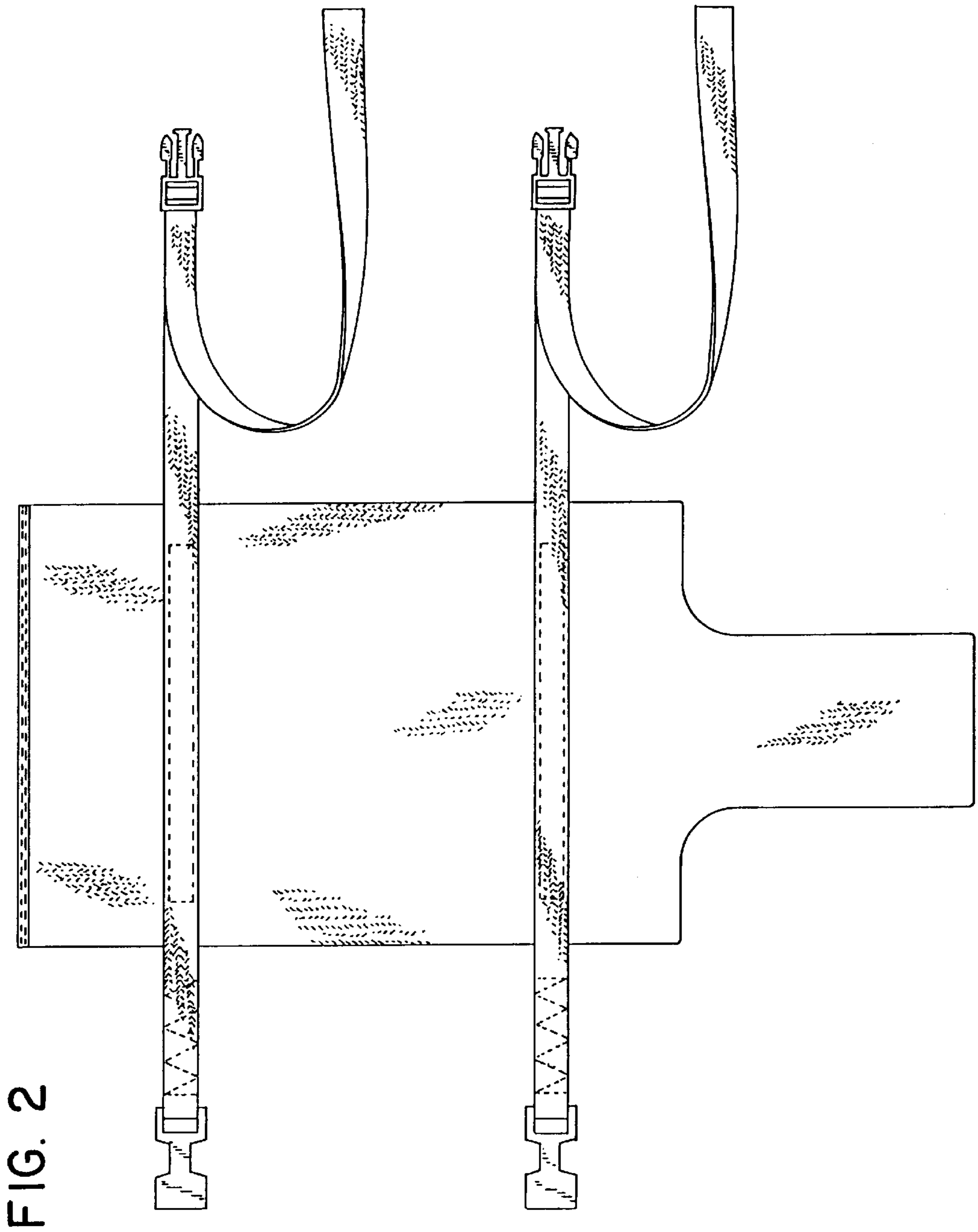


FIG. 2

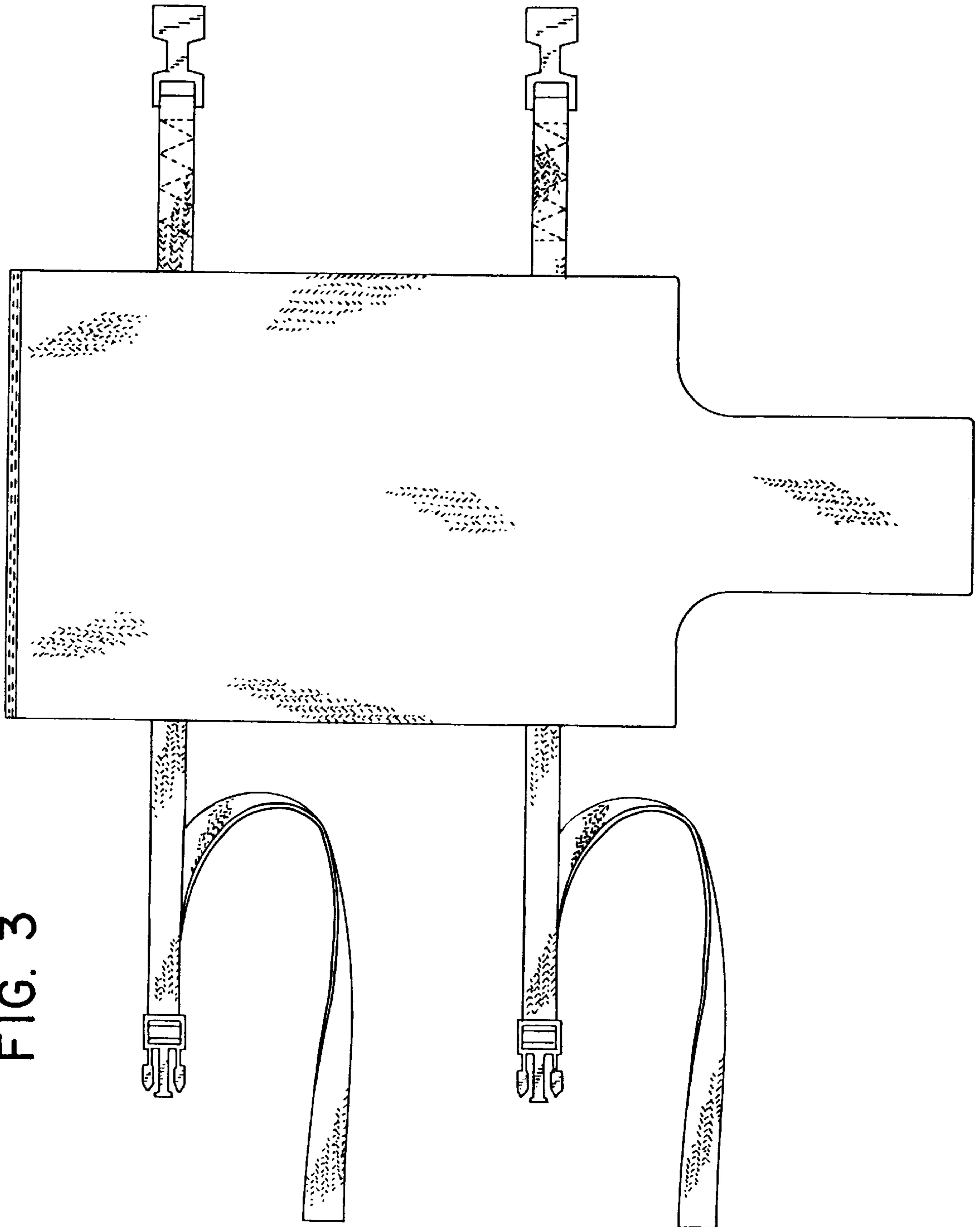


FIG. 3

FIG. 4

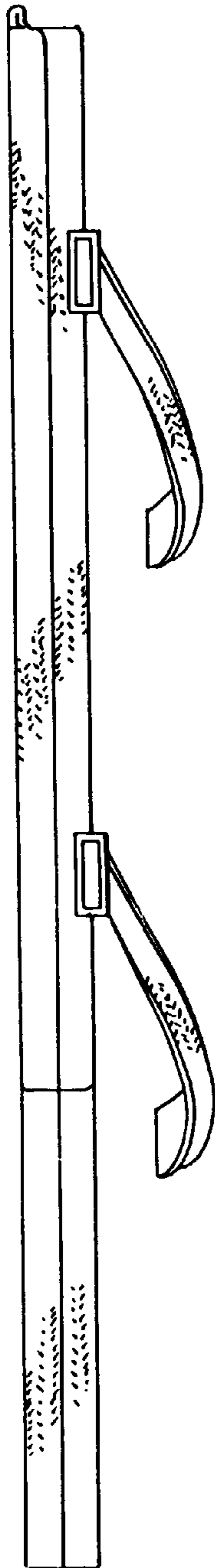


FIG. 5

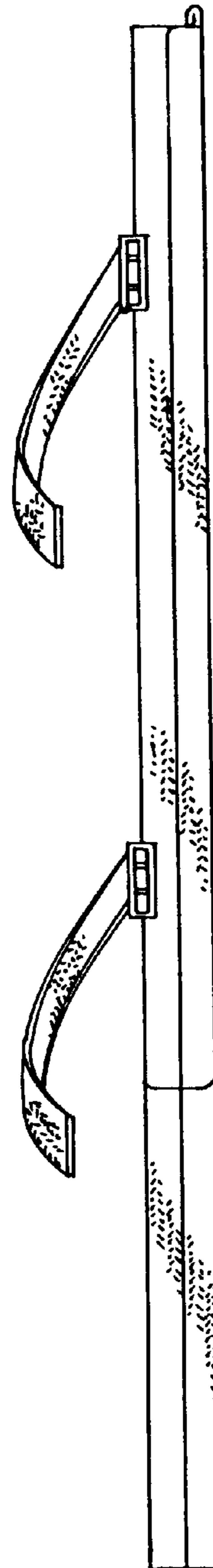


FIG. 6

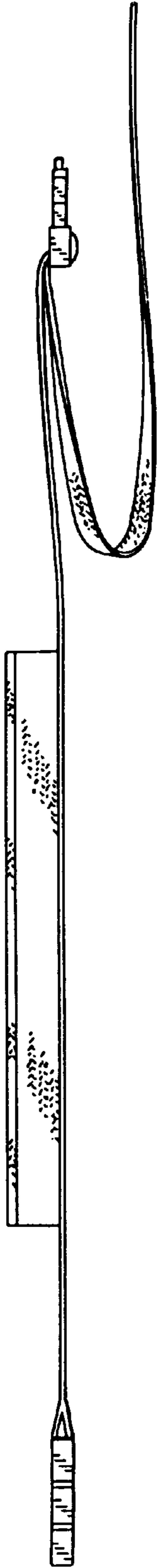


FIG. 7

