



US00D419241S

United States Patent [19]
Northcott

[11] **Patent Number: Des. 419,241**
[45] **Date of Patent: ** Jan. 18, 2000**

[54] **PHYTOCULTURE MICRO FLOW WORK STATION**

[76] Inventor: **Donald Owen Northcott**, P.O. Box 905, Cornwall, Prince Edward Island, Canada, C0A 1H0

[**] Term: **14 Years**

[21] Appl. No.: **29/095,126**

[22] Filed: **Oct. 16, 1998**

[51] **LOC (7) Cl.** **24-01**

[52] **U.S. Cl.** **D24/234; D23/365; D24/232**

[58] **Field of Search** D24/232, 234; D23/370, 364, 365; 454/49, 60, 62, 51, 56, 57; 422/101, 104

[56] **References Cited**

U.S. PATENT DOCUMENTS

D. 234,597	3/1975	Diachuk	D23/364
D. 287,621	1/1987	Shields	D24/234
D. 300,848	4/1989	Baker et al.	D23/365
D. 326,514	5/1992	Alsup, Jr. et al.	D23/364
D. 330,757	11/1992	DeLaney et al.	D23/364

Primary Examiner—Stella Reid

Assistant Examiner—I Simmons

Attorney, Agent, or Firm—Mario D. Theriault

[57] **CLAIM**

The ornamental design for a phytoculture micro flow work station, as shown and described.

DESCRIPTION

FIG. 1 is a top, left side and front perspective view of a

phytoculture micro flow work station showing my new design with the work platform in an open in-use position and both glass shields in a deployed in-use position;

FIG. 2 is a top, left side and front perspective view thereof with the work platform in a closed position;

FIG. 3 is a top, right side and rear perspective view thereof;

FIG. 4 is a top, left side and front perspective view thereof with both glass shields in a stowed position and the work platform in the open in-use position;

FIG. 5 is a front elevation view thereof with the work platform in the closed position;

FIG. 6 is a plan view thereof with the work platform in the closed position;

FIG. 7 is a bottom view thereof with the work platform in the closed position;

FIG. 8 is a rear elevation view thereof;

FIG. 9 is a right side elevation view thereof with the work platform in the closed position, the left side elevation view being a mirror image;

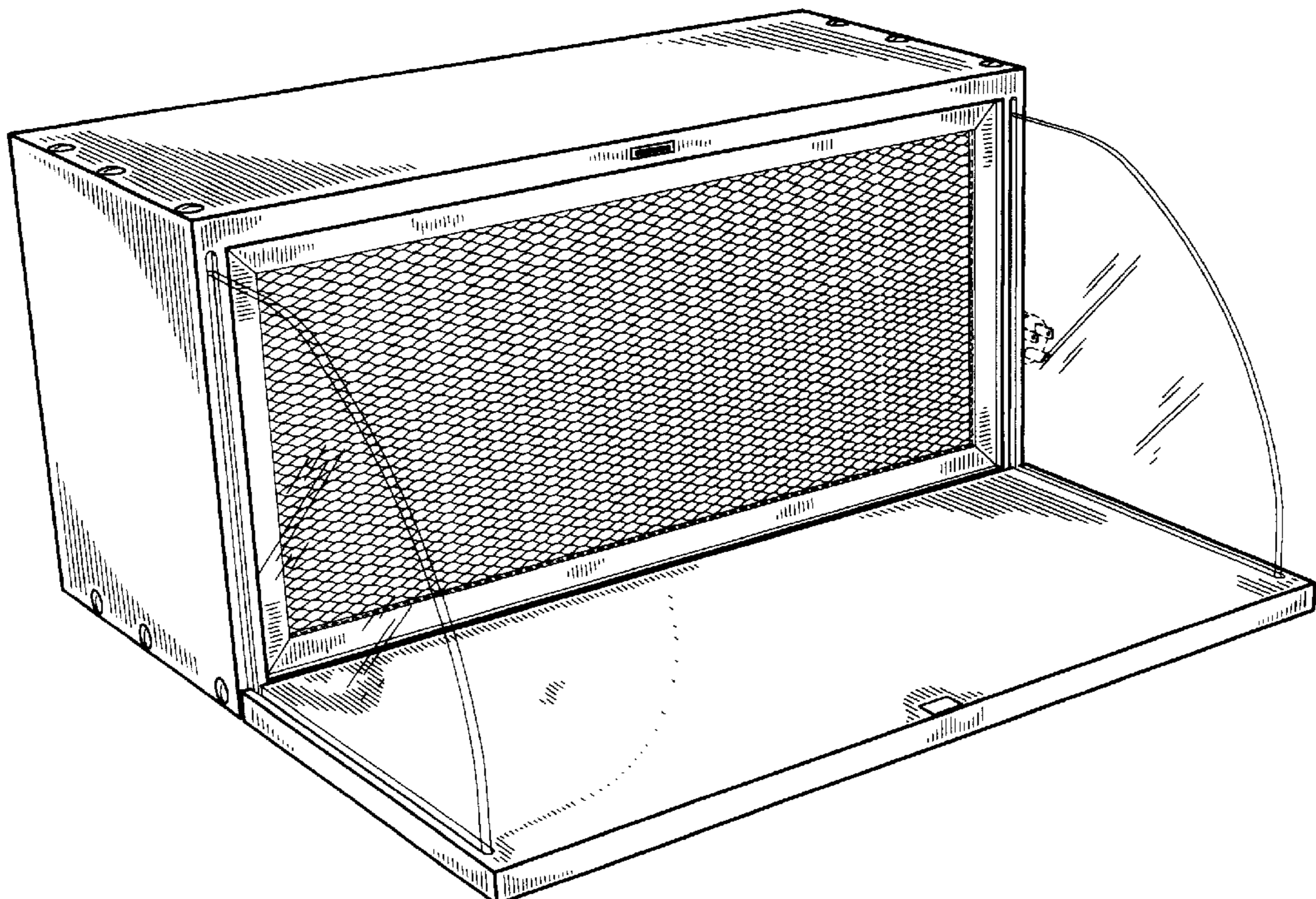
FIG. 10 is a left side elevation view thereof with the work platform in the open in-use position and the glass shields in the deployed in-use position, the right side elevation view with the work platform and the glass shields in the in-use positions being a mirror image;

FIG. 11 is a front elevation view thereof with the work platform in the open in-use position;

FIG. 12 is a plan view thereof with the work platform and the glass shields in the in-use positions.

The broken-line disclosure of an electrical cord in the views of FIGS. 1 and 3–12 is for illustrative purposes only and forms no part of the claimed design.

1 Claim, 5 Drawing Sheets



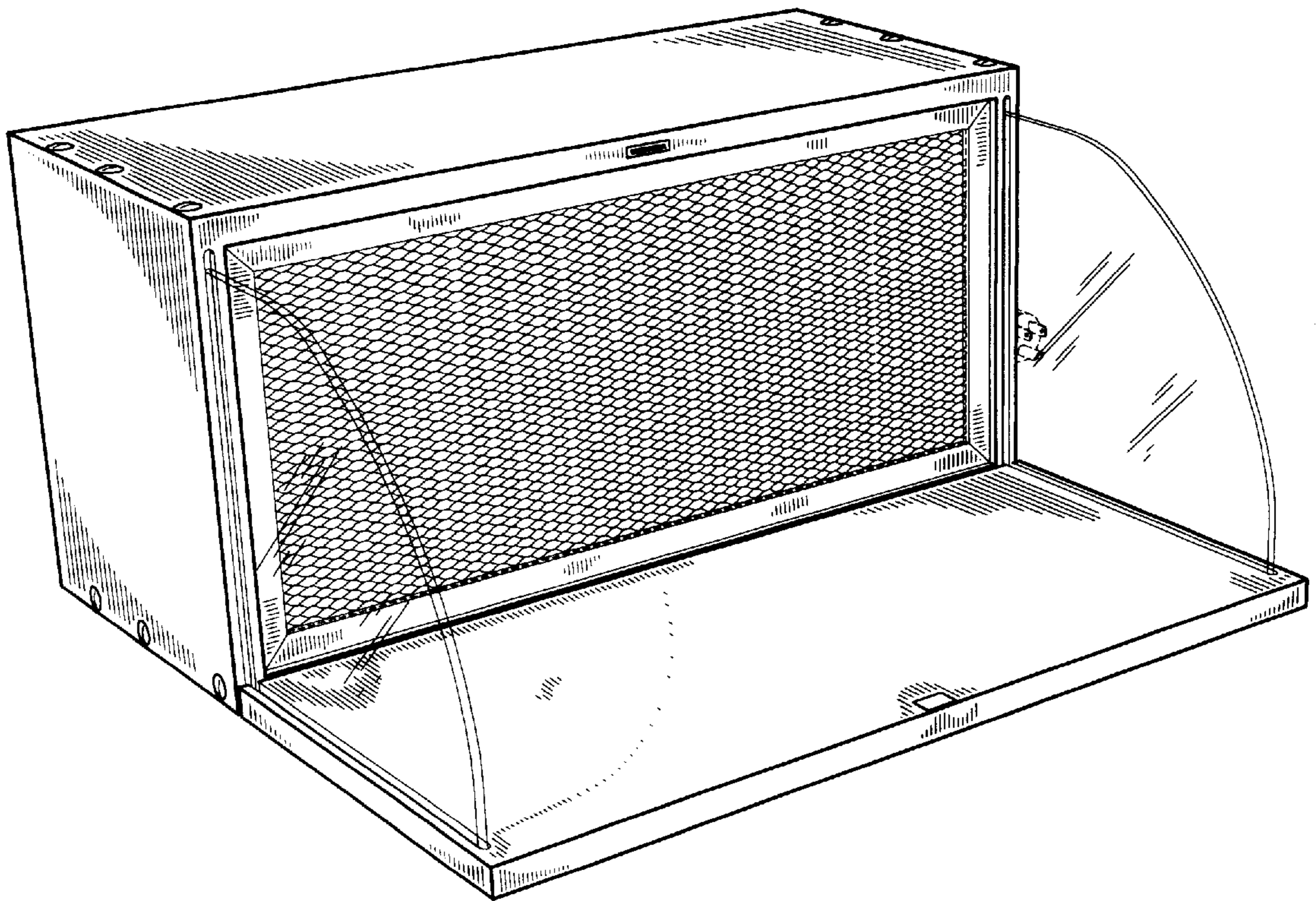


FIG. 1

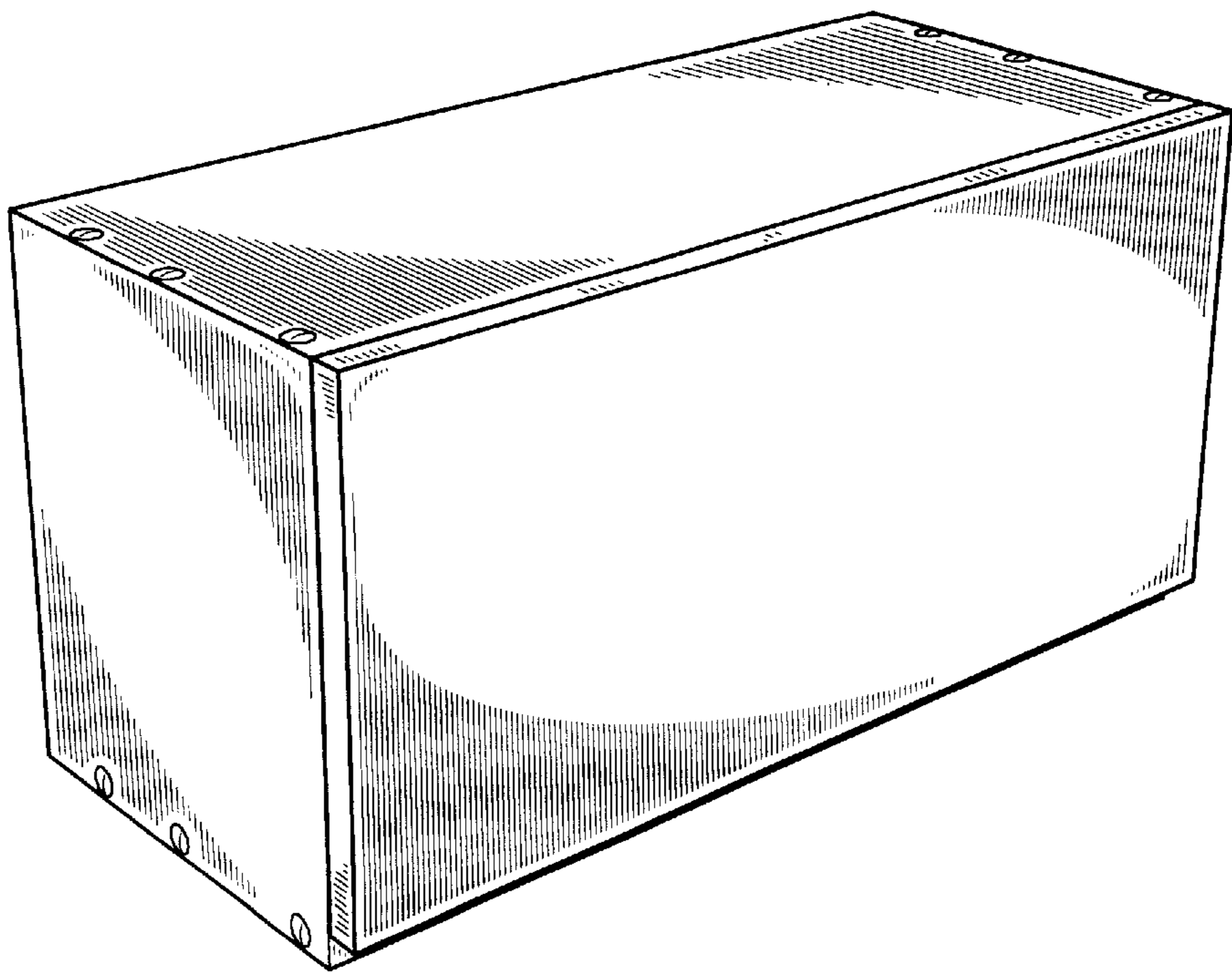


FIG. 2

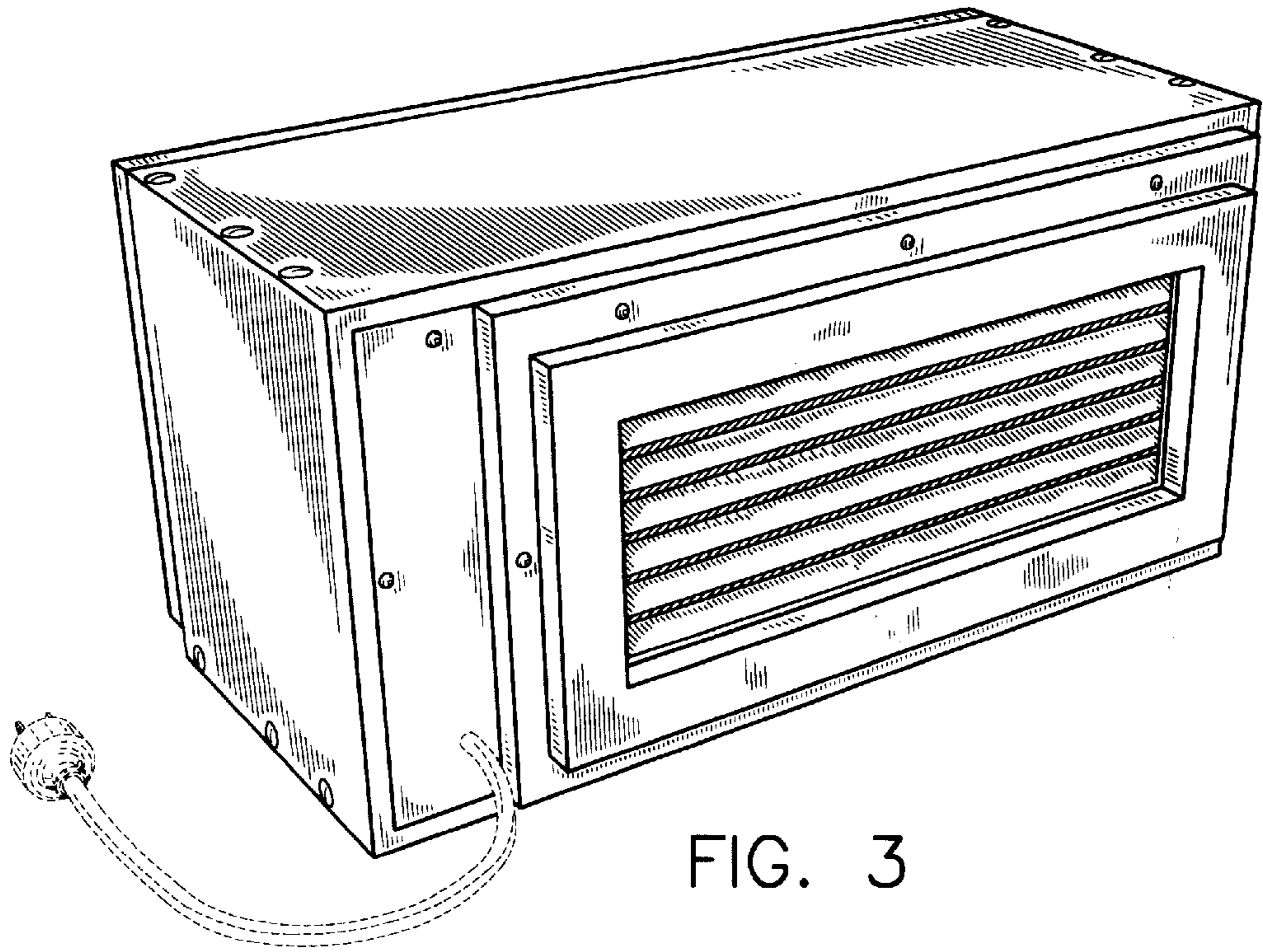


FIG. 3

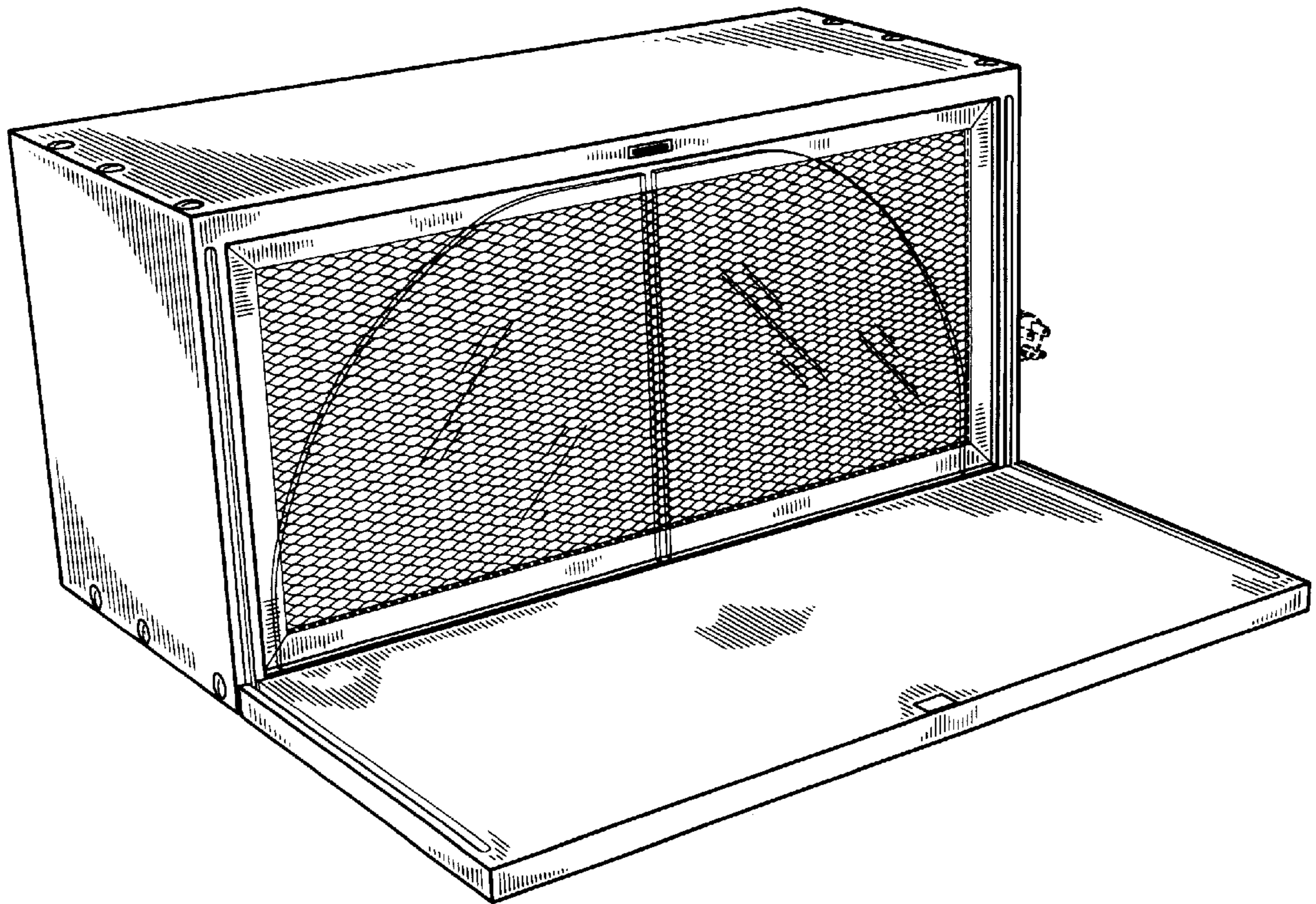


FIG. 4

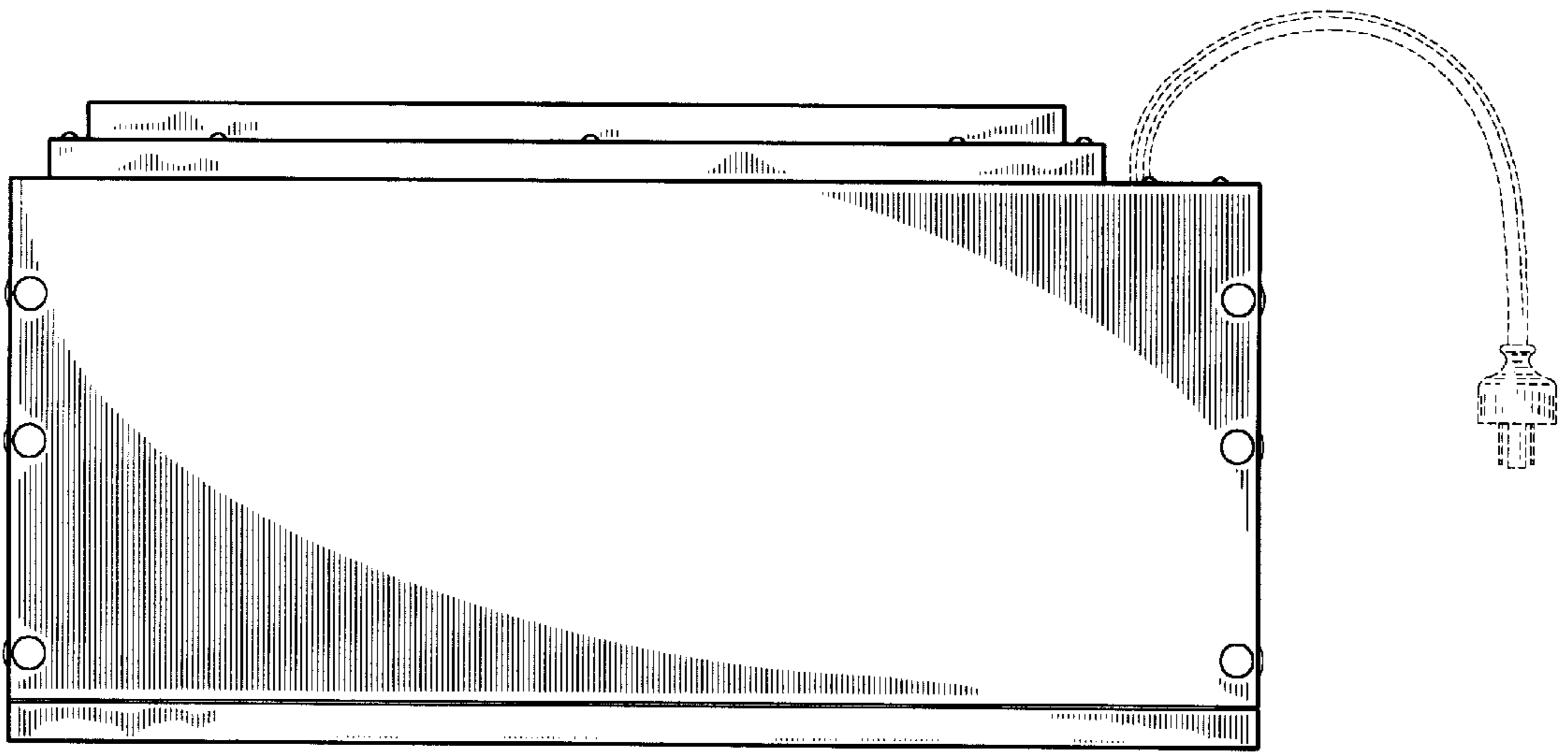


FIG. 6

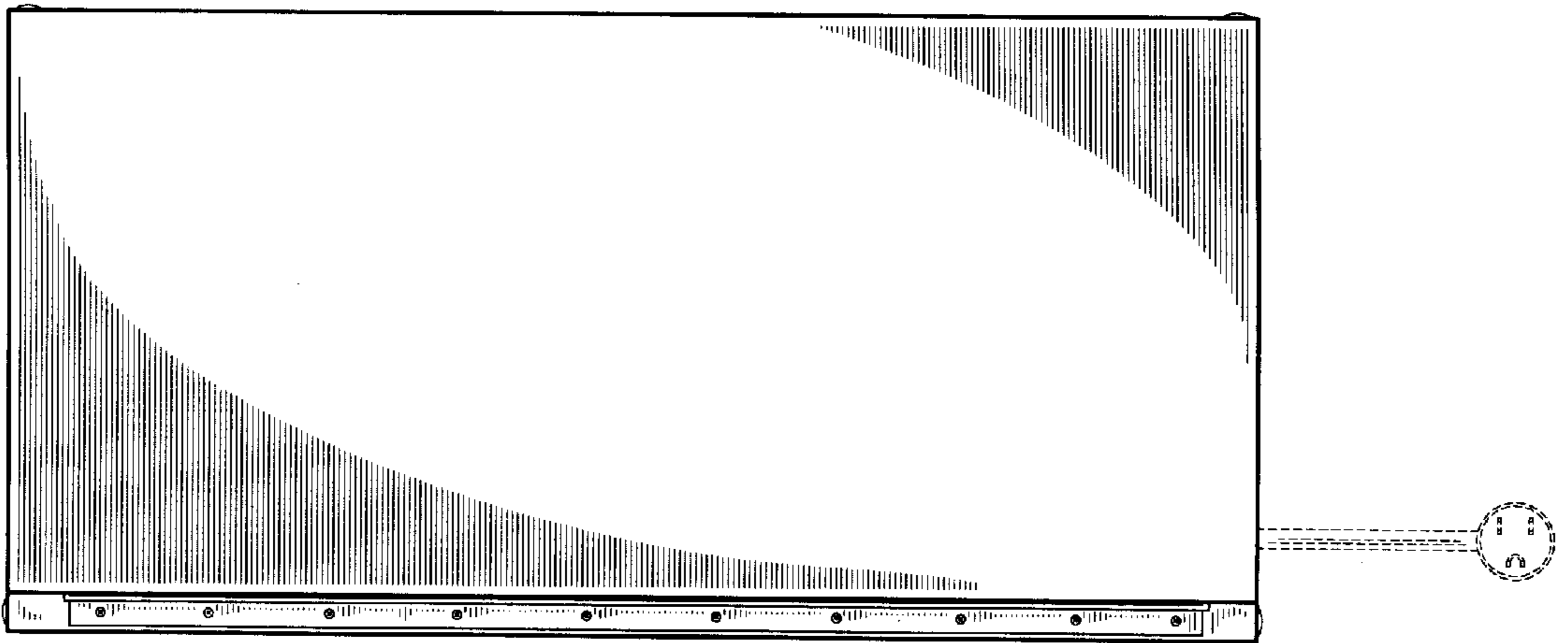


FIG. 5

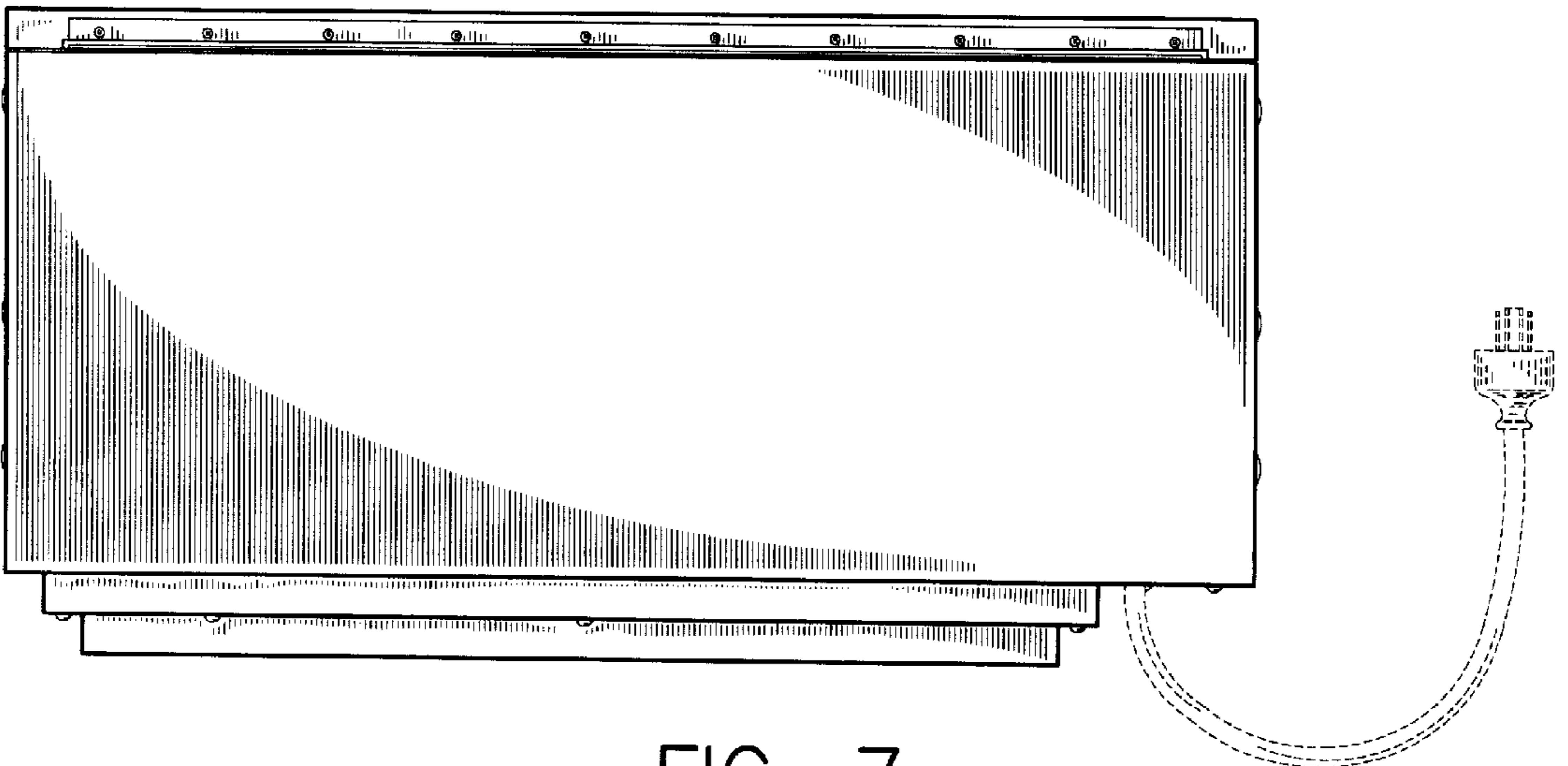


FIG. 7

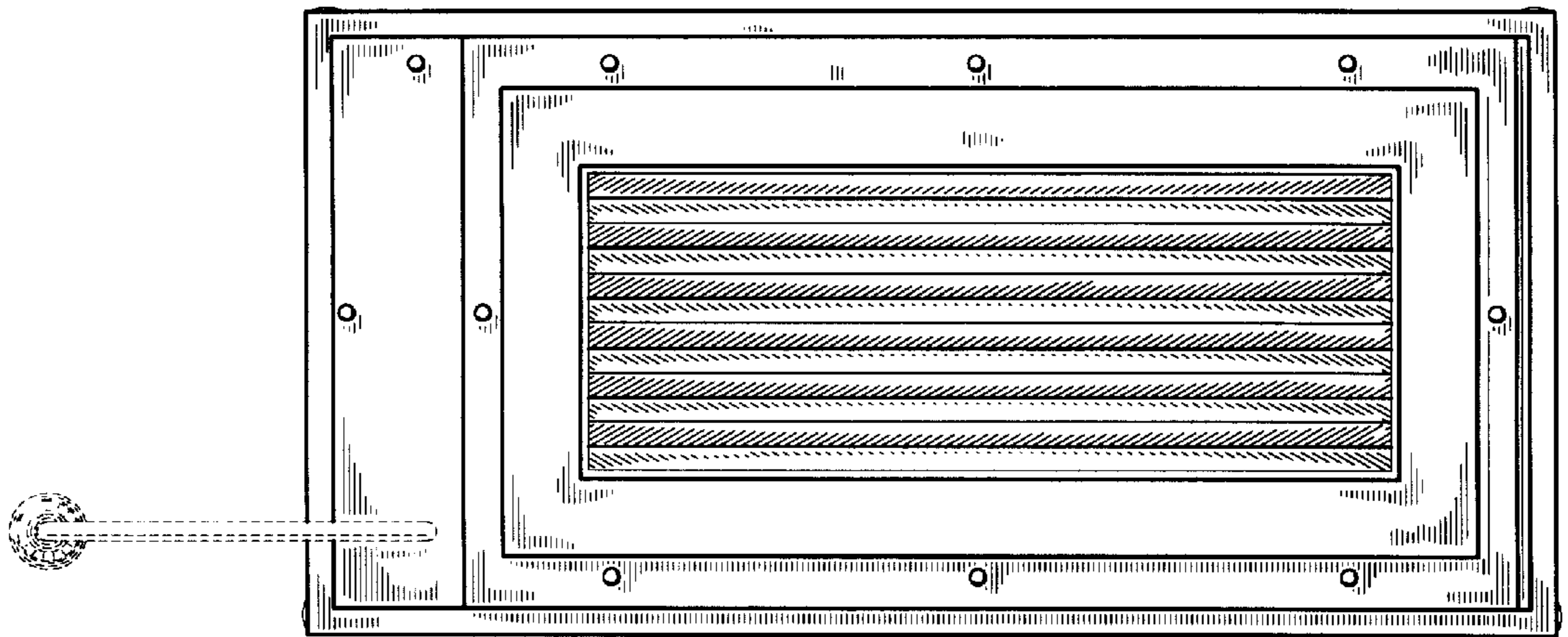


FIG. 8

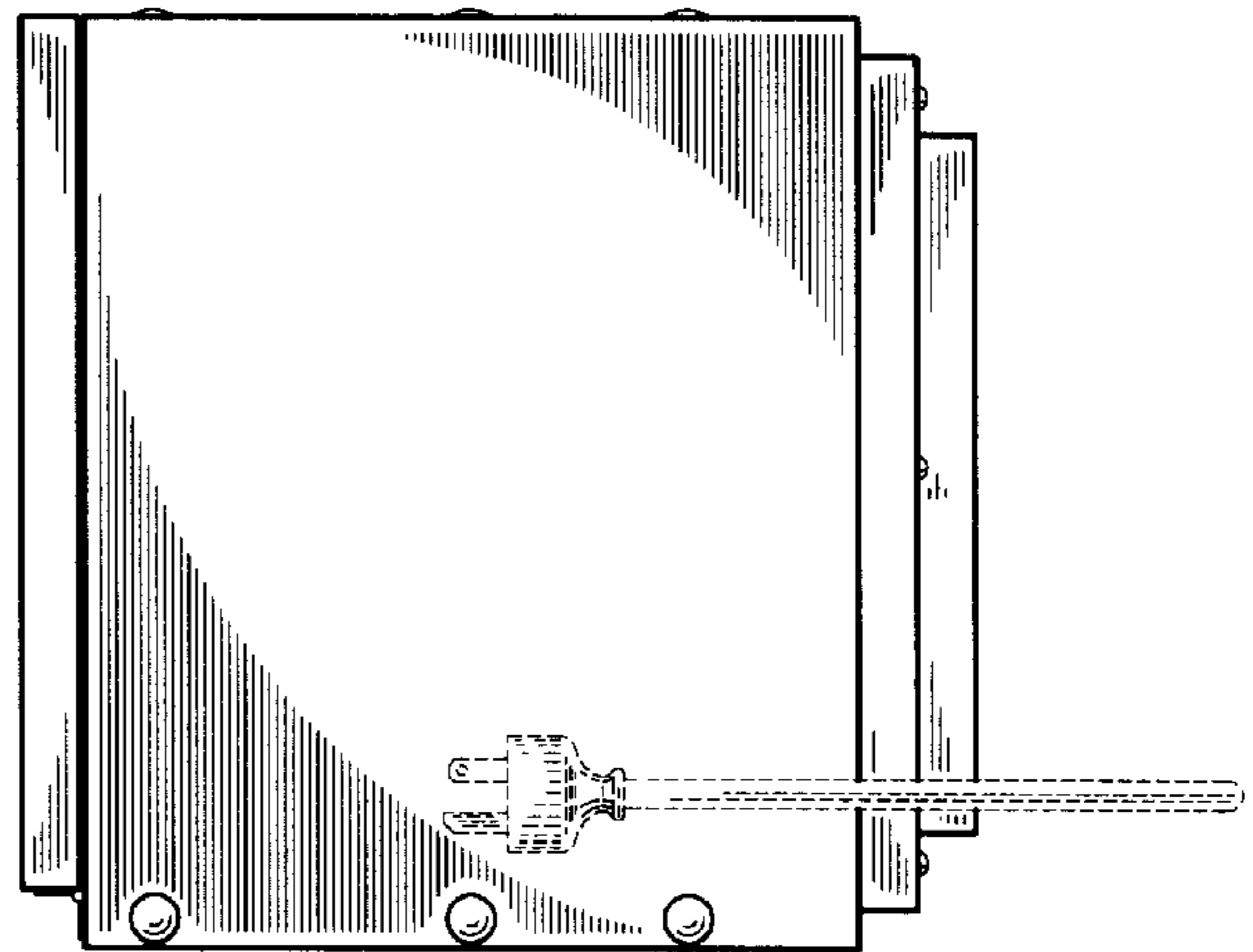


FIG. 9

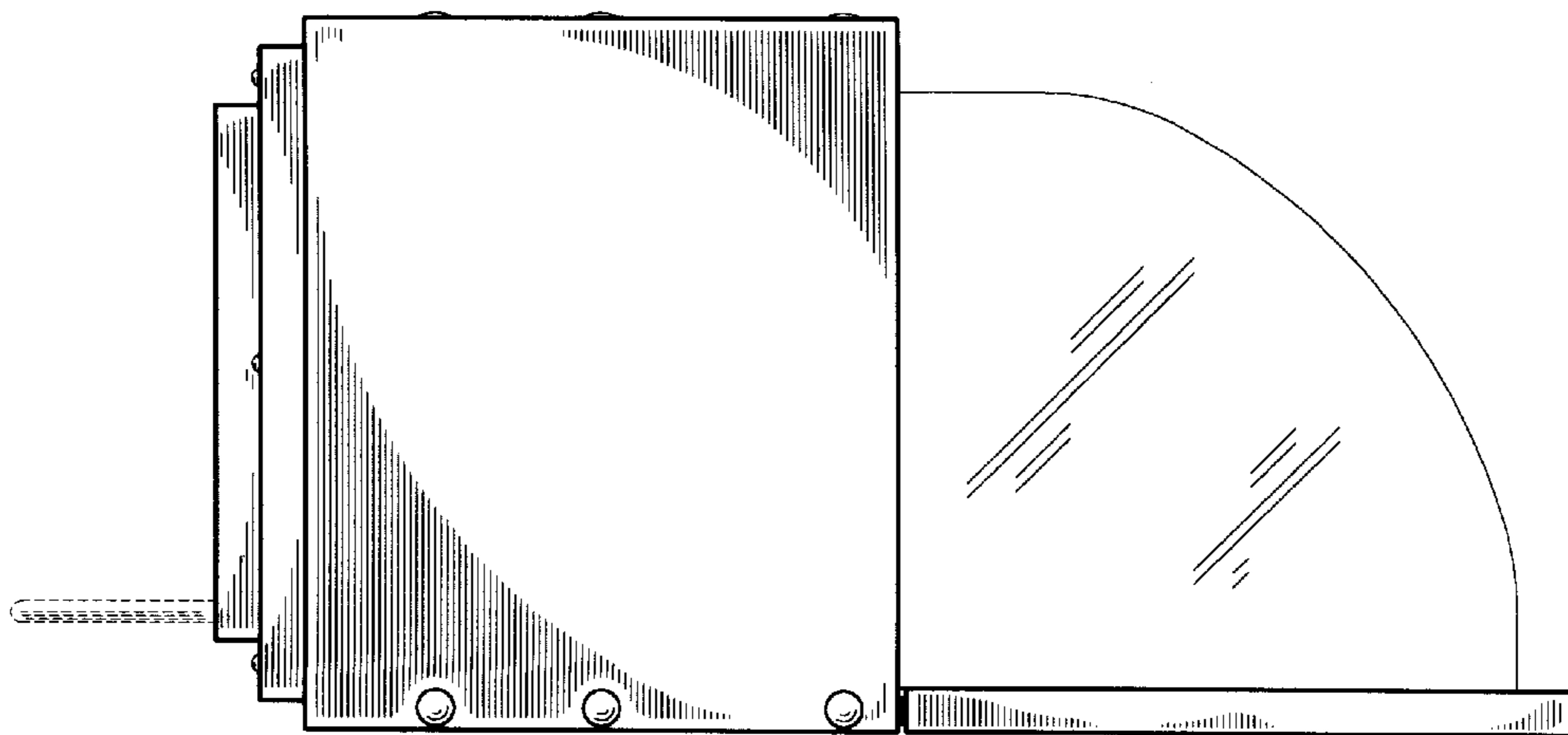


FIG. 10

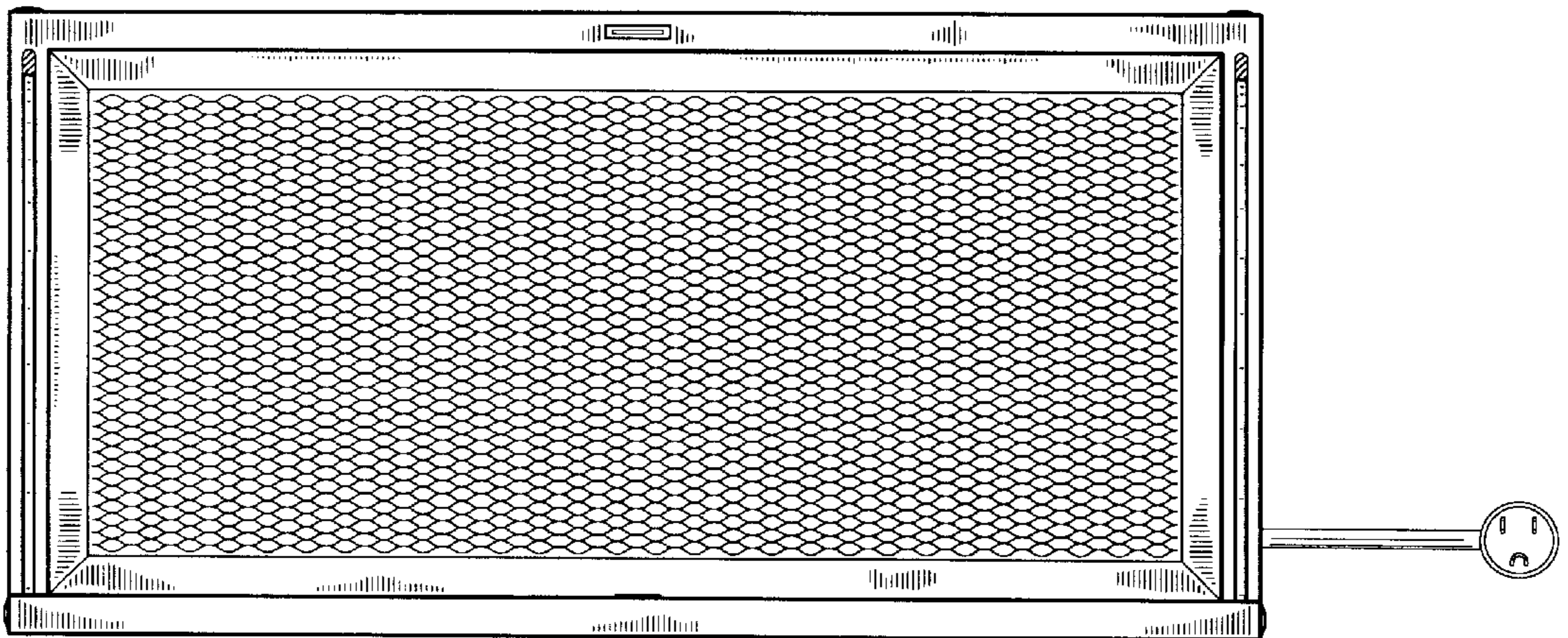


FIG. 11

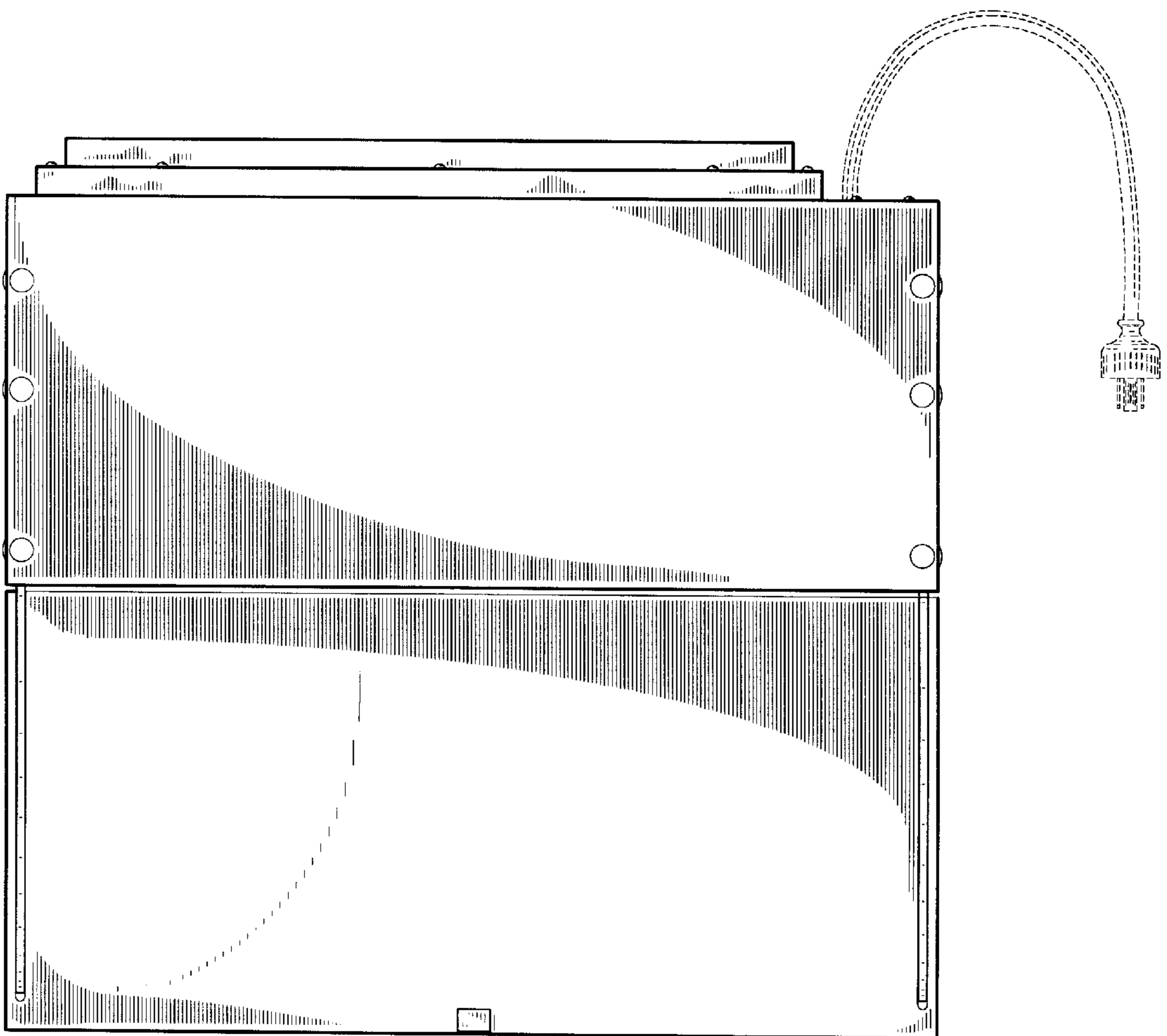


FIG. 12