



US00D419240S

**United States Patent** [19]  
**Leick**

[11] **Patent Number: Des. 419,240**  
[45] **Date of Patent: \*\* Jan. 18, 2000**

[54] **PACIFIER AND SIGNALING REMOTE CONTROL LOCATOR SET**

4,856,519 8/1989 Teves ..... 606/234  
5,109,864 5/1992 Lu ..... 606/234 X  
5,662,685 9/1997 Uhler ..... 606/234

[76] Inventor: **Paul Anthony Leick**, 4177 Webster Ave. S., St Louis Park, Minn. 55416

*Primary Examiner*—Stella Reid

[\*\*] Term: **14 Years**

[57] **CLAIM**

[21] Appl. No.: **29/069,790**

The ornamental design for a pacifier and signaling remote control locator set, as shown.

[22] Filed: **Apr. 24, 1997**

**DESCRIPTION**

[51] **LOC (7) Cl.** ..... **24-04**

[52] **U.S. Cl.** ..... **D24/194**

[58] **Field of Search** ..... D24/194, 196;  
606/234, 235, 236; 600/549

FIG. 1 is a front elevational view of the pacifier and signaling remote control locator set showing my new design; FIG. 2 is a back elevational view thereof; FIG. 3 is a left side elevational view thereof; FIG. 4 is a right side elevational view thereof; FIG. 5 is a top plan view view thereof; and, FIG. 6 is a bottom plan view view thereof.

[56] **References Cited**

**U.S. PATENT DOCUMENTS**

D. 380,269 6/1997 Mendes ..... D24/194  
4,554,919 11/1985 Hubert ..... 606/234

**1 Claim, 3 Drawing Sheets**

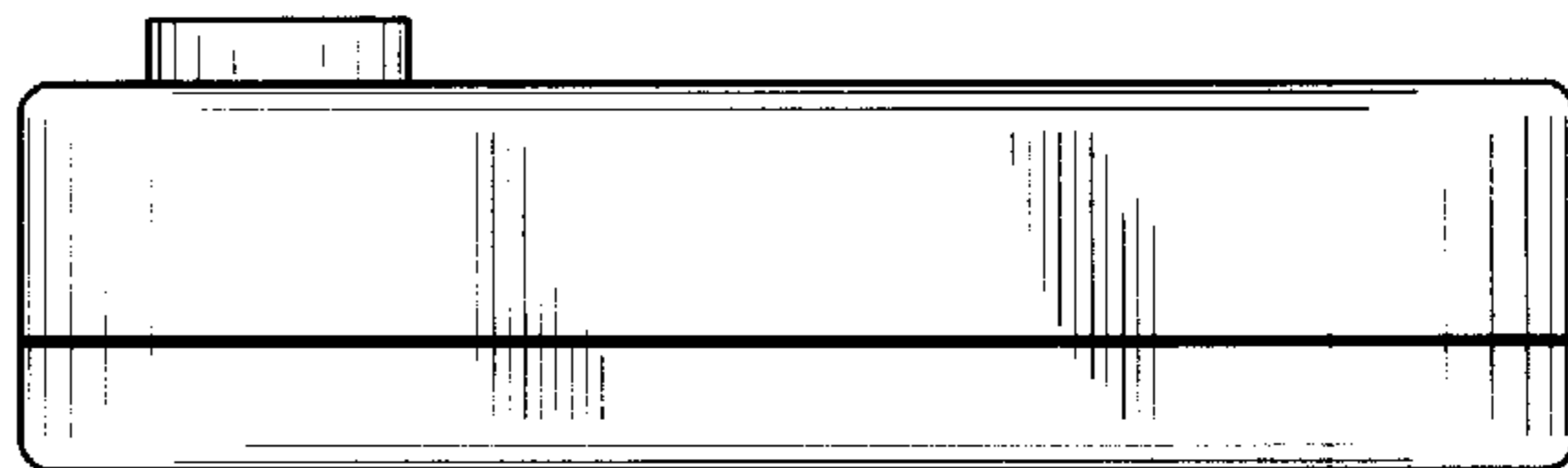
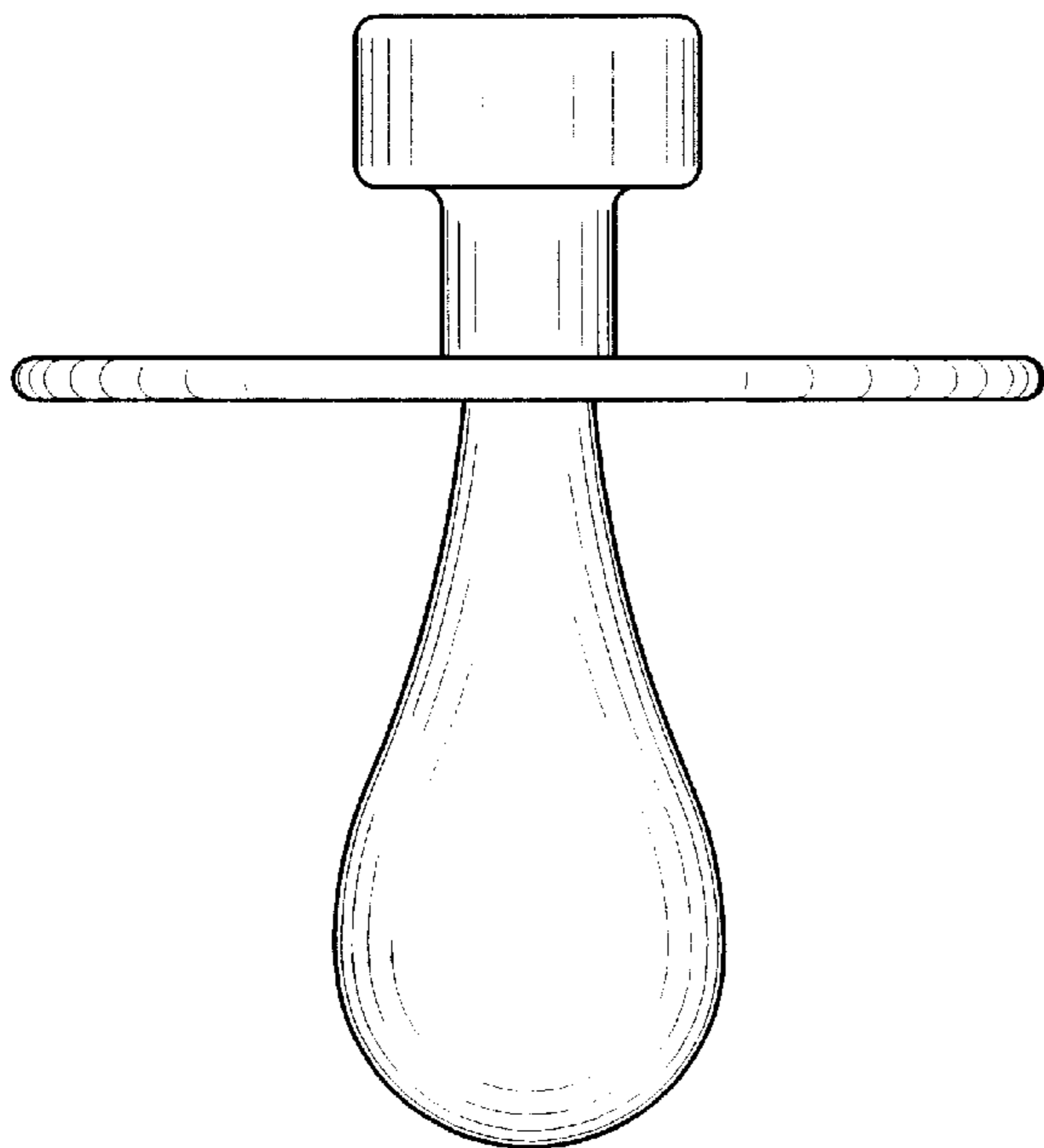


FIG. 1

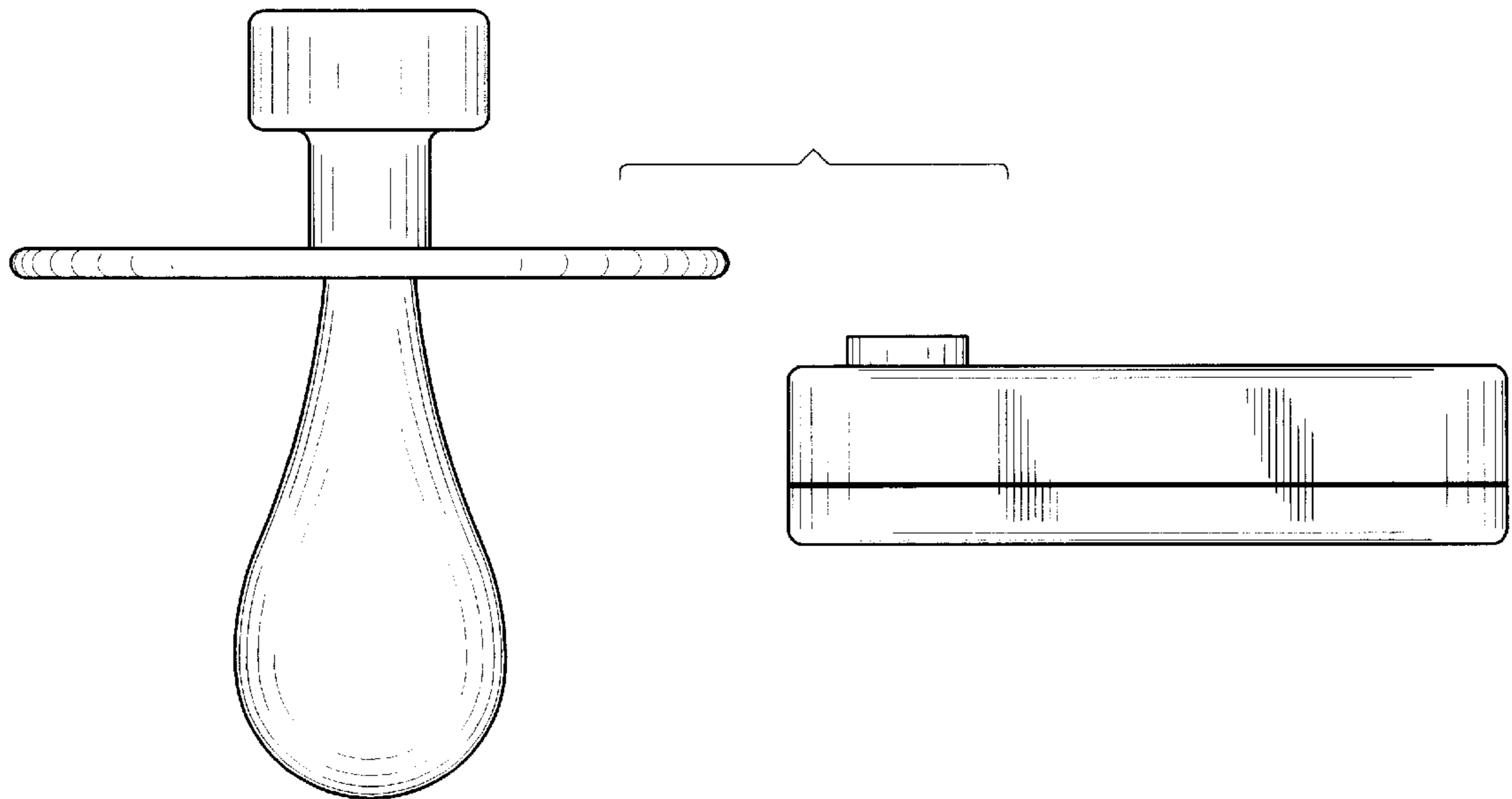
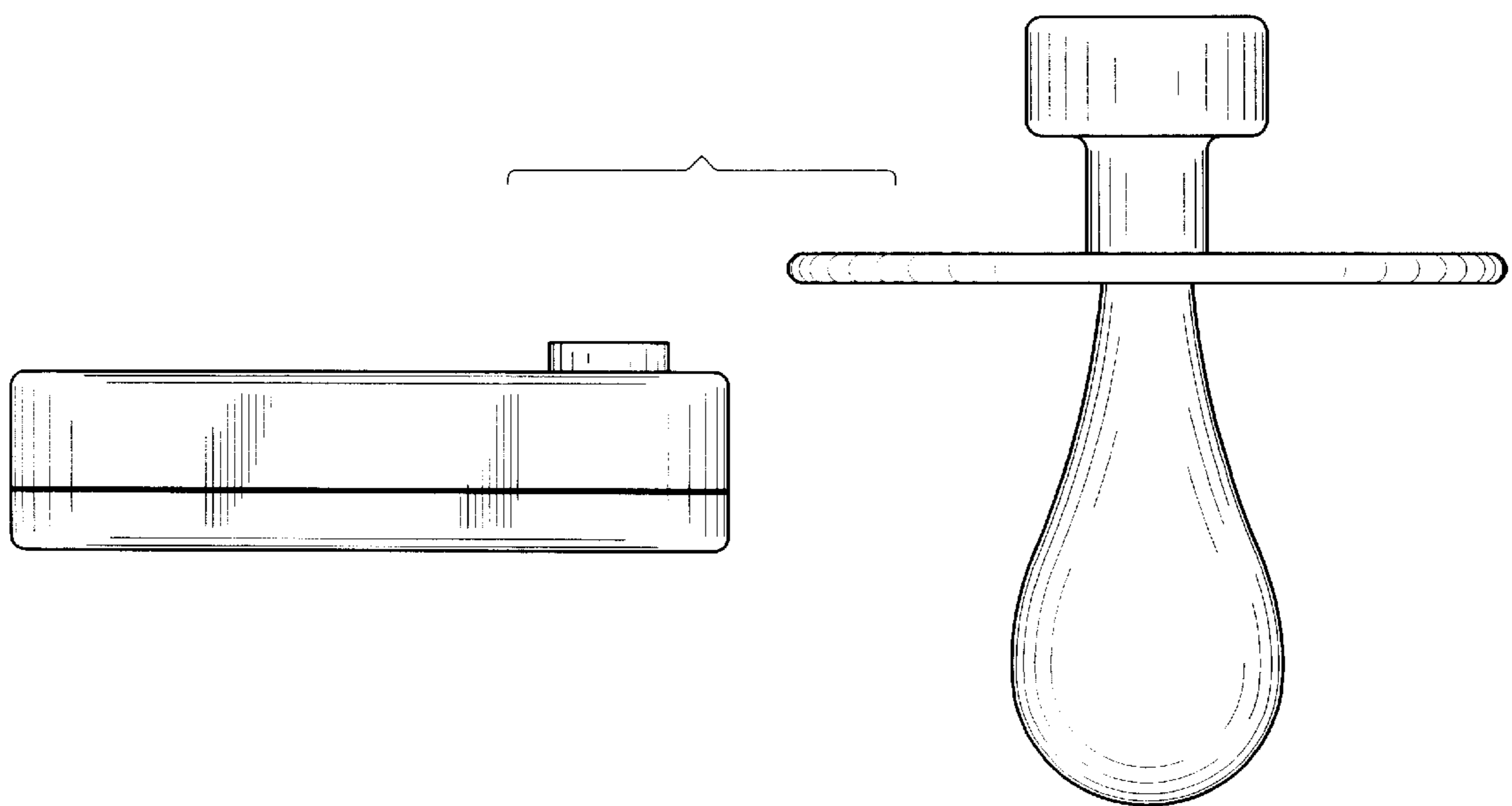
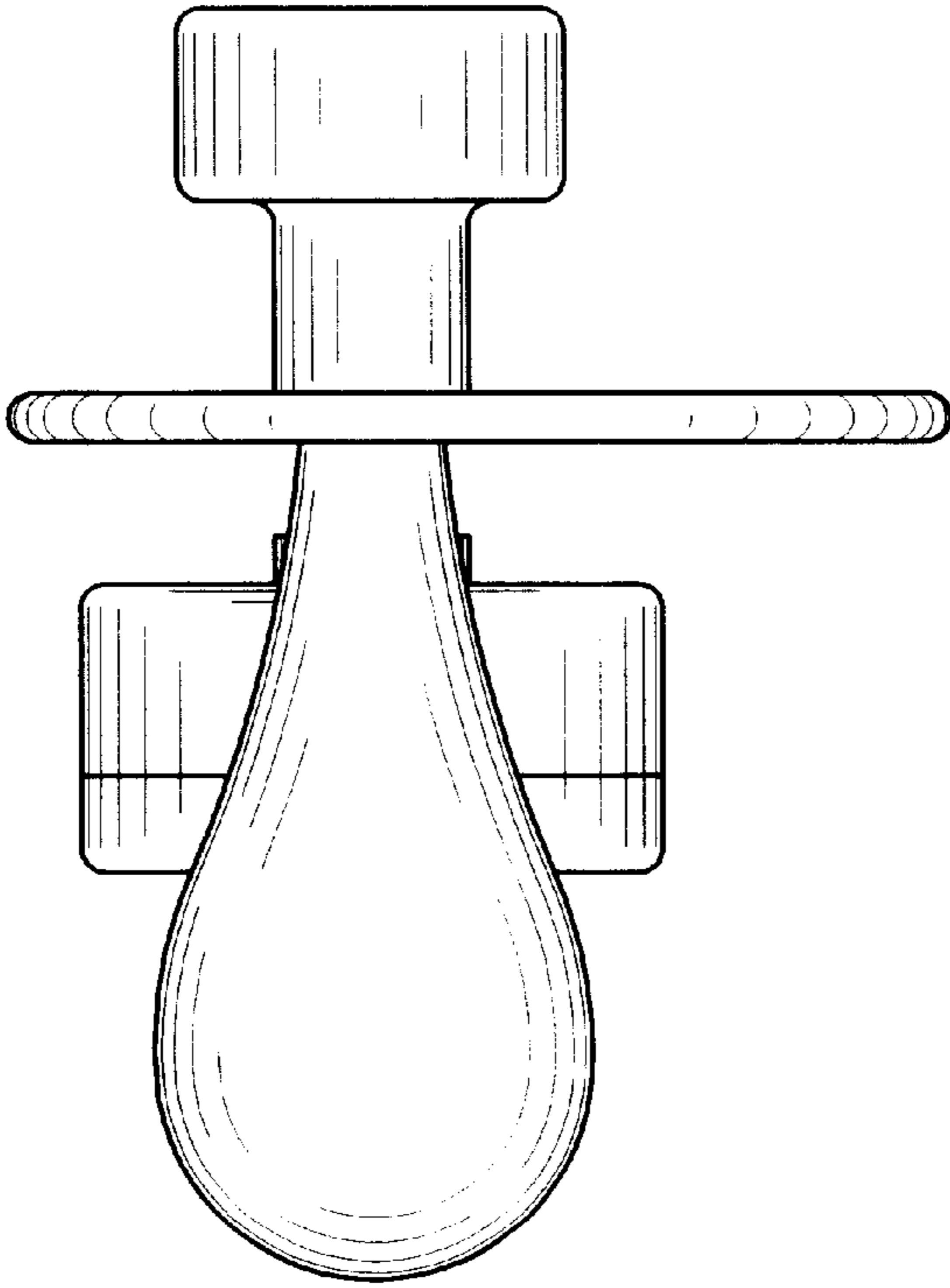


FIG. 2



*FIG. 3*



*FIG. 4*

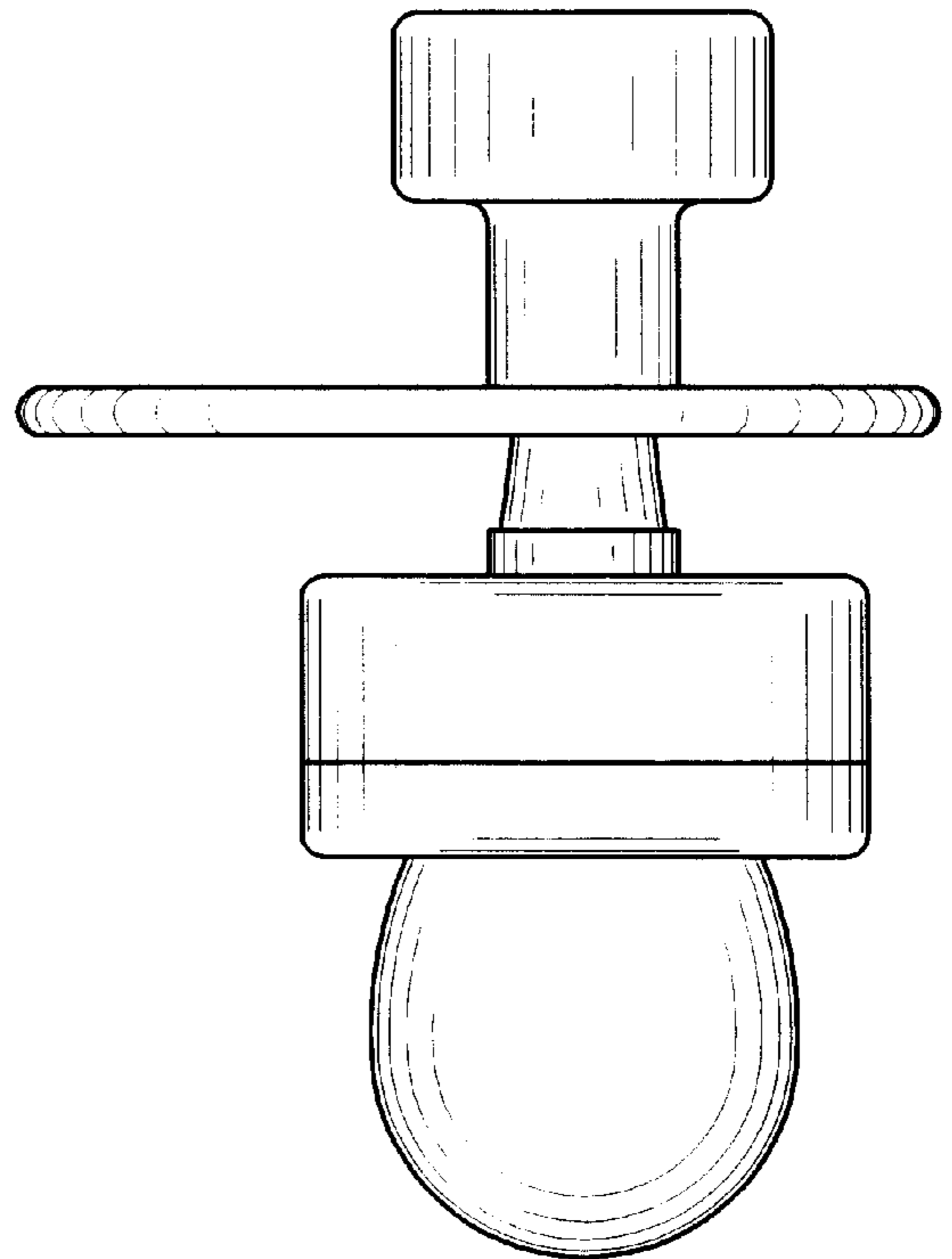


FIG. 5

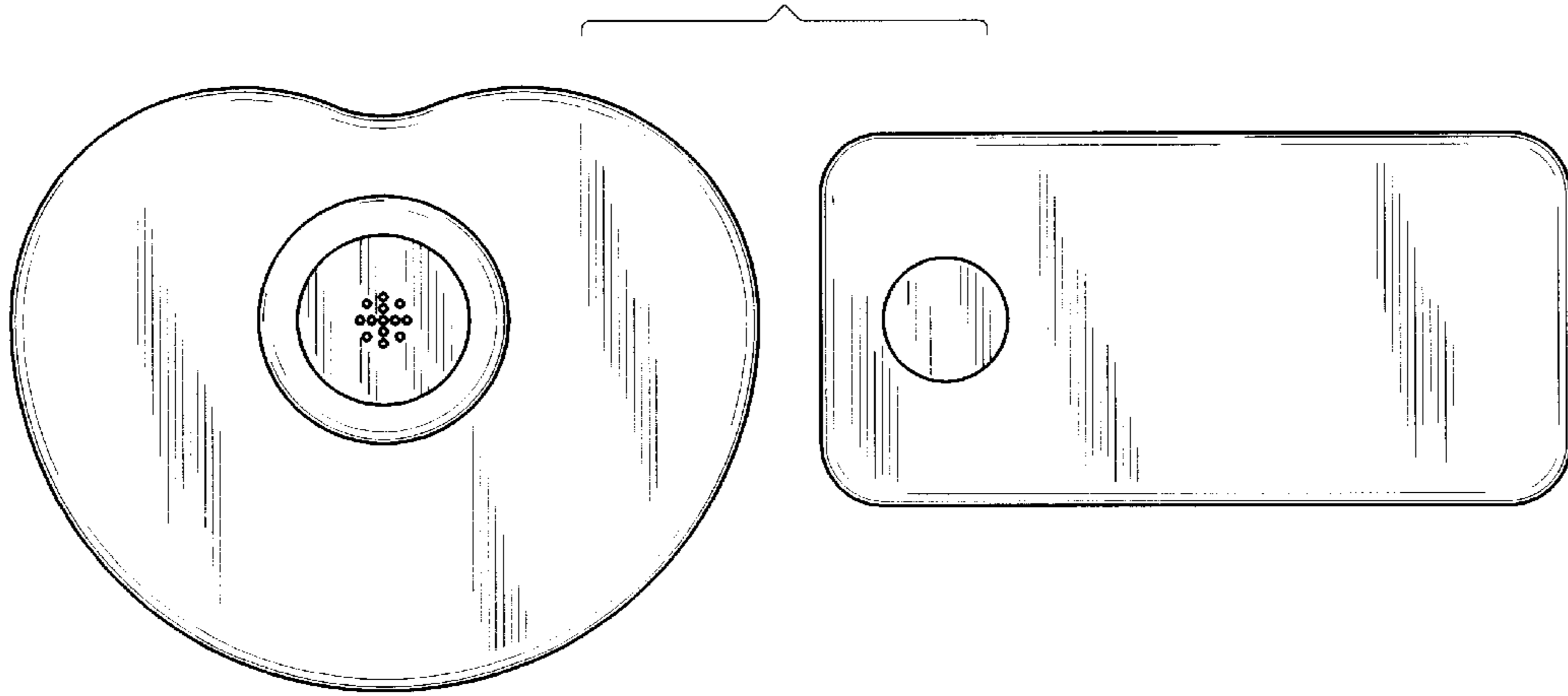


FIG. 6

