



US00D419239S

United States Patent [19]
Markovich

[11] **Patent Number: Des. 419,239**

[45] **Date of Patent: ** Jan. 18, 2000**

- [54] **EXTREMITY REHABILITATION APPARATUS**
- [76] Inventor: **Edward I. Markovich**, 10722 Denver Dr., Cooper City, Fla. 33026
- [**] Term: **14 Years**
- [21] Appl. No.: **29/097,483**
- [22] Filed: **Dec. 8, 1998**
- [51] **LOC (7) Cl.** **24-04**
- [52] **U.S. Cl.** **D24/188**
- [58] **Field of Search** D24/188, 190, D24/192; 601/23, 27, 33, 34, 40; 482/92, 93, 95, 97, 123-125, 131

5,624,360 4/1997 Wilkins 482/129
 5,674,159 10/1997 Davidson 482/92

Primary Examiner—Stella Reid
Attorney, Agent, or Firm—Sirote & Permutt, P.C.; Russell Carter Gache

[57] **CLAIM**

The ornamental design for the extremity rehabilitation apparatus, as shown and described.

DESCRIPTION

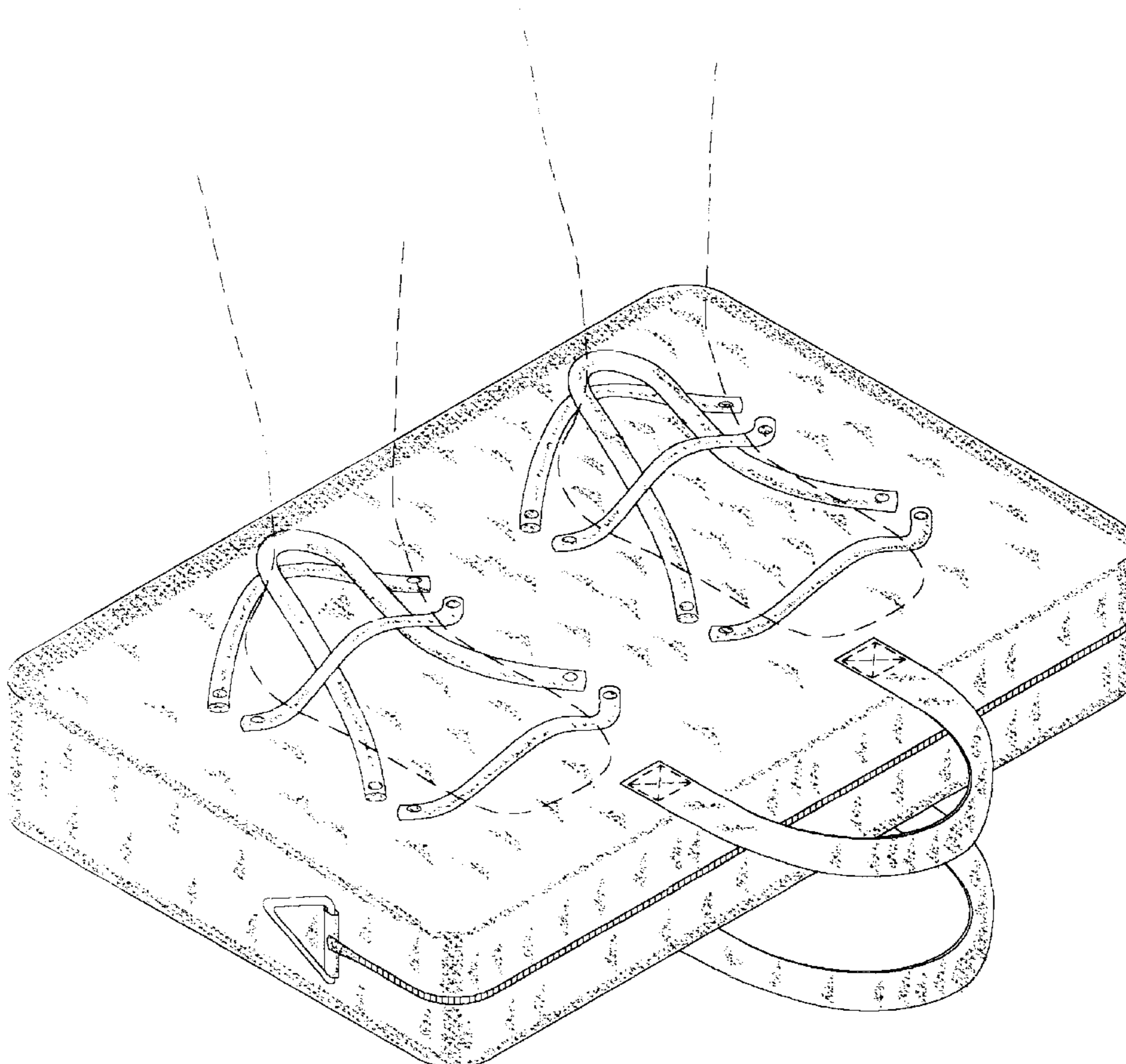
FIG. 1 is a top perspective view of an extremity rehabilitation apparatus showing my new design;
 FIG. 2 is a front elevational view thereof;
 FIG. 3 is a rear elevational view thereof;
 FIG. 4 is a left side elevational view thereof;
 FIG. 5 is a right side elevational view thereof;
 FIG. 6 is a top plan view thereof;
 FIG. 7 is a bottom view thereof;
 FIG. 8 is a top perspective view showing a user's feet positioned in the foot restraints;
 FIG. 9 is a top perspective view showing a user's hands positioned in the hand restrains; and,
 FIG. 10 is a perspective view showing the present invention in use with an associated device for anchoring the invention. (The user's feet and hands and other components shown in broken lines are illustrative of environmental structure and do not form a part of the claimed design.)

[56] **References Cited**

U.S. PATENT DOCUMENTS

D. 325,968	5/1992	Nofsinger	D21/685
D. 327,328	6/1992	Luce et al.	D24/188
3,256,015	6/1966	Perrin	272/80
3,606,321	9/1971	Macoulis	272/73
3,966,204	6/1976	Dubach	272/135
4,565,367	1/1986	Kaiser	272/126
4,909,505	3/1990	Tee	272/136
5,131,650	7/1992	Hall	482/126
5,286,242	2/1994	Johnston	482/95
5,306,222	4/1994	Wilkinson	482/124
5,372,565	12/1994	Burdenko	482/124
5,595,559	1/1997	Viel	482/91

1 Claim, 7 Drawing Sheets



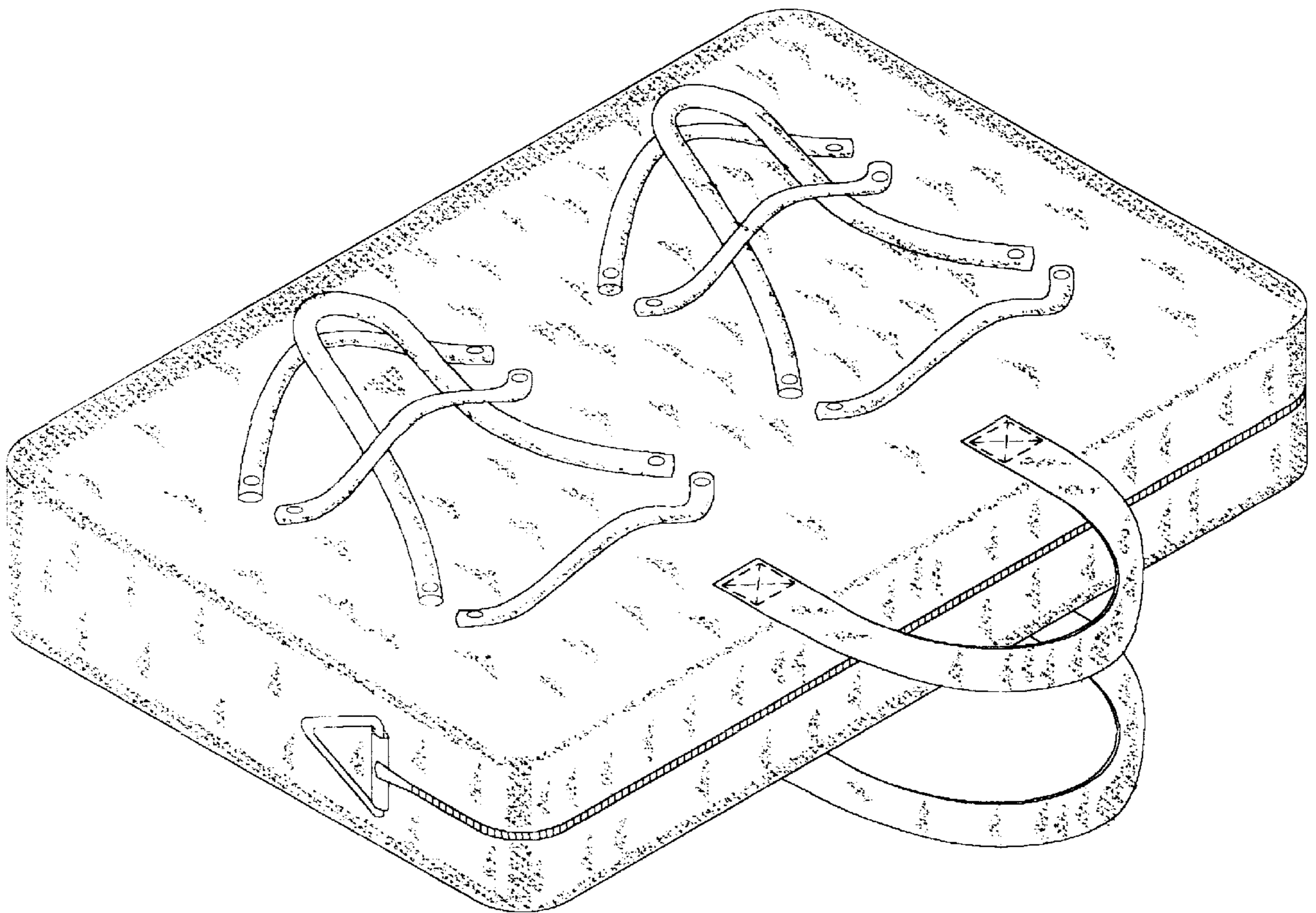


FIG. 1

FIG. 2

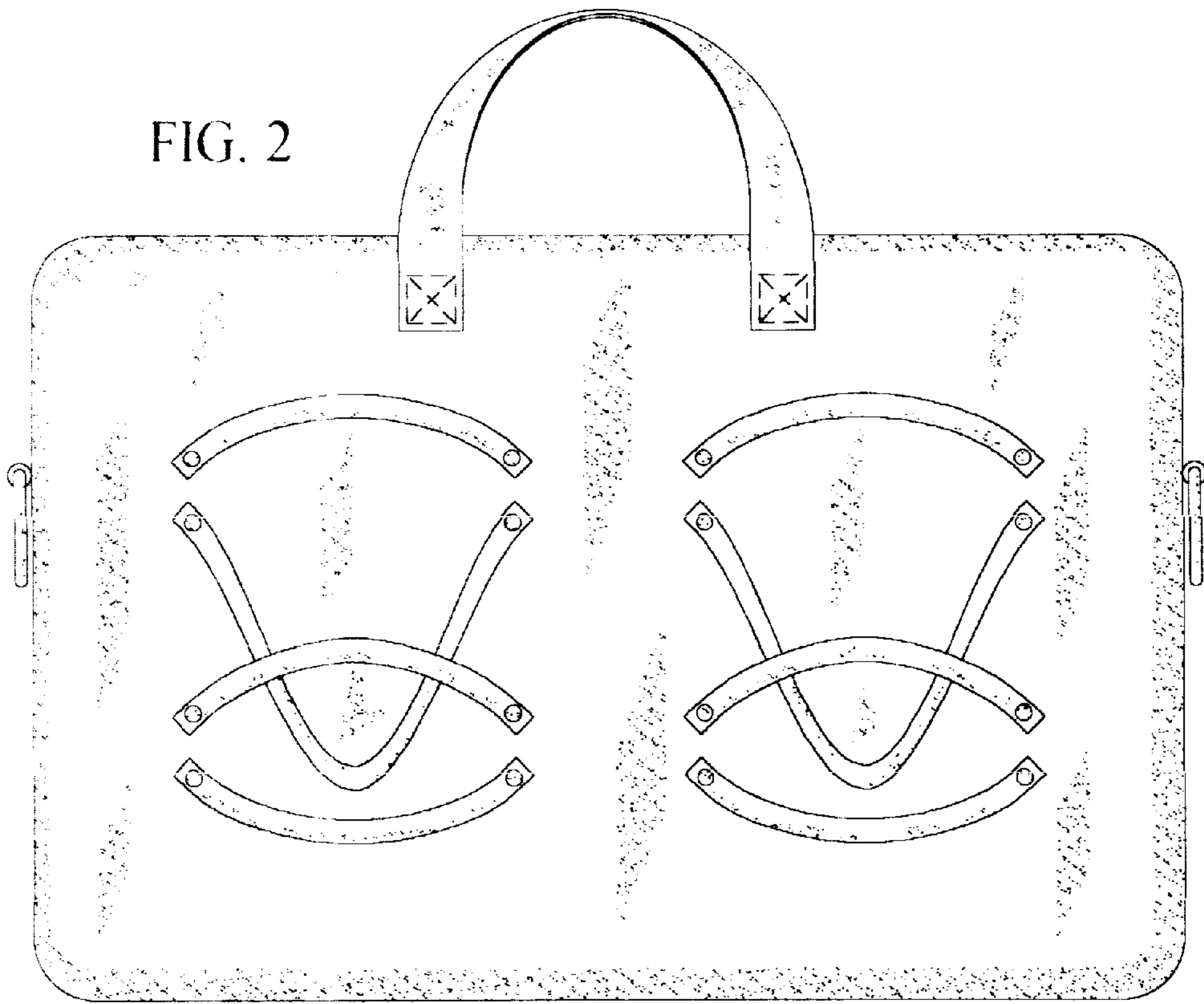
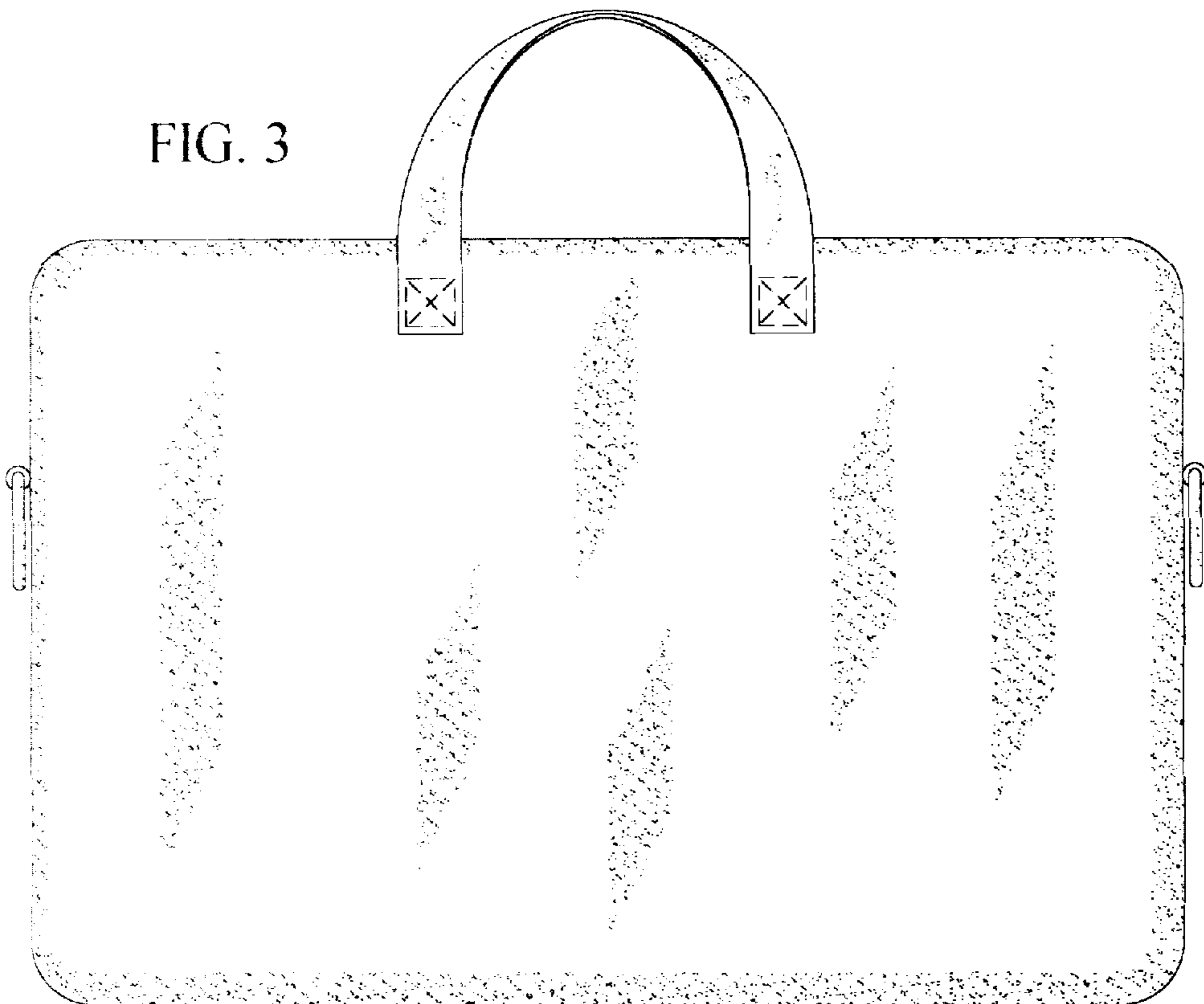


FIG. 3



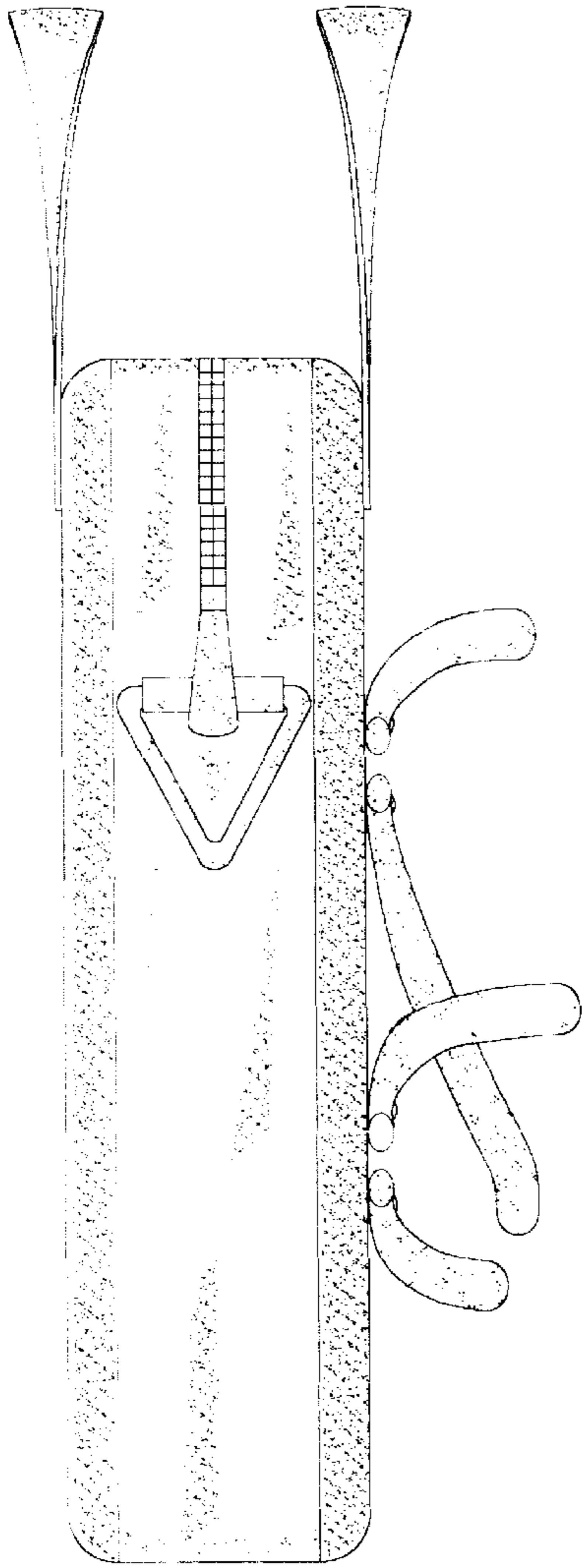


FIG. 4

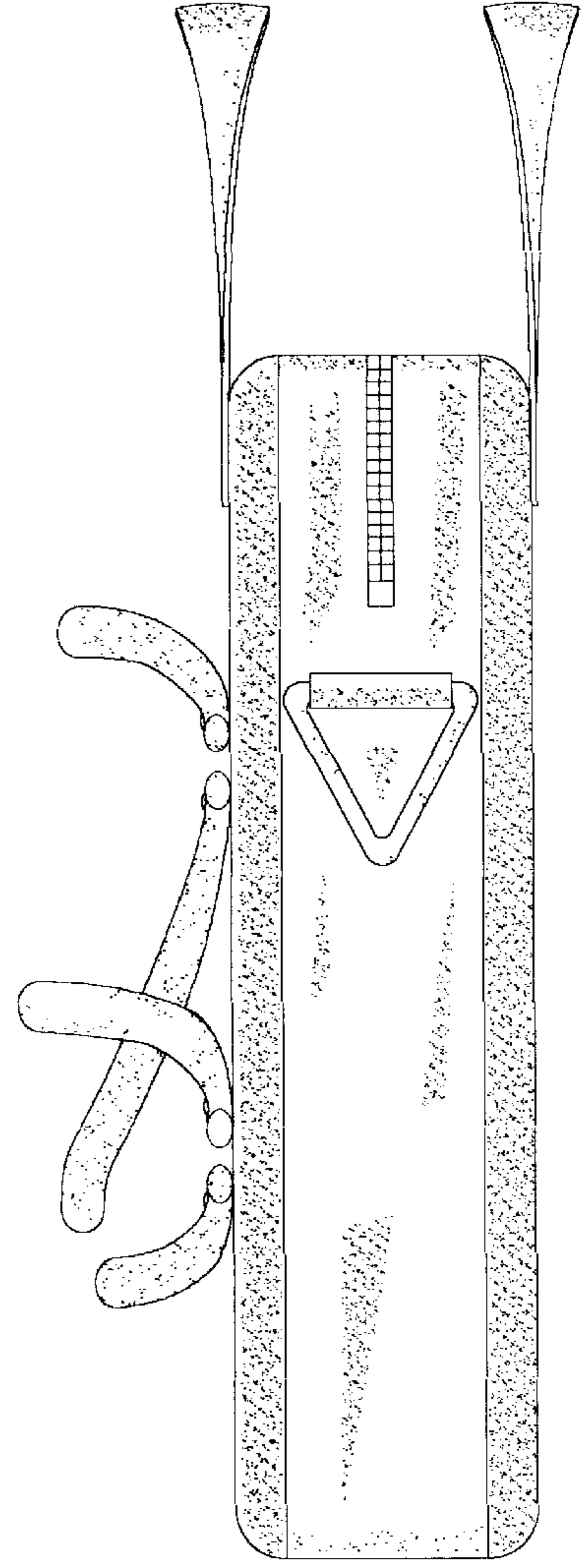


FIG. 5

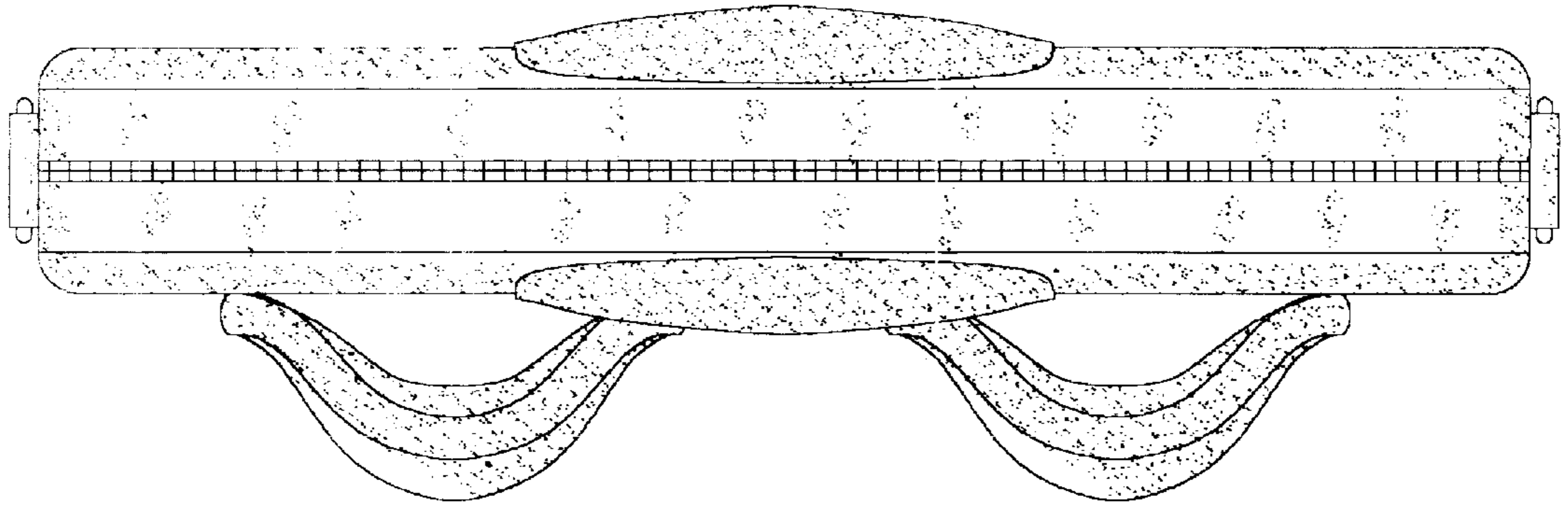


FIG. 6

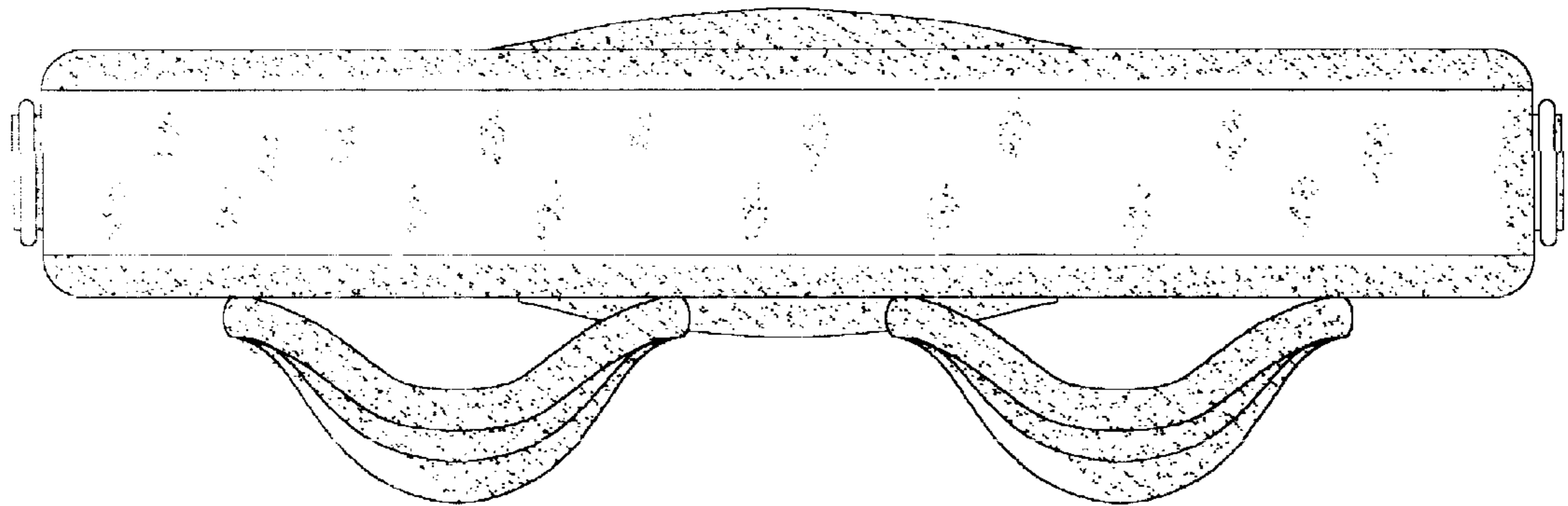


FIG. 7

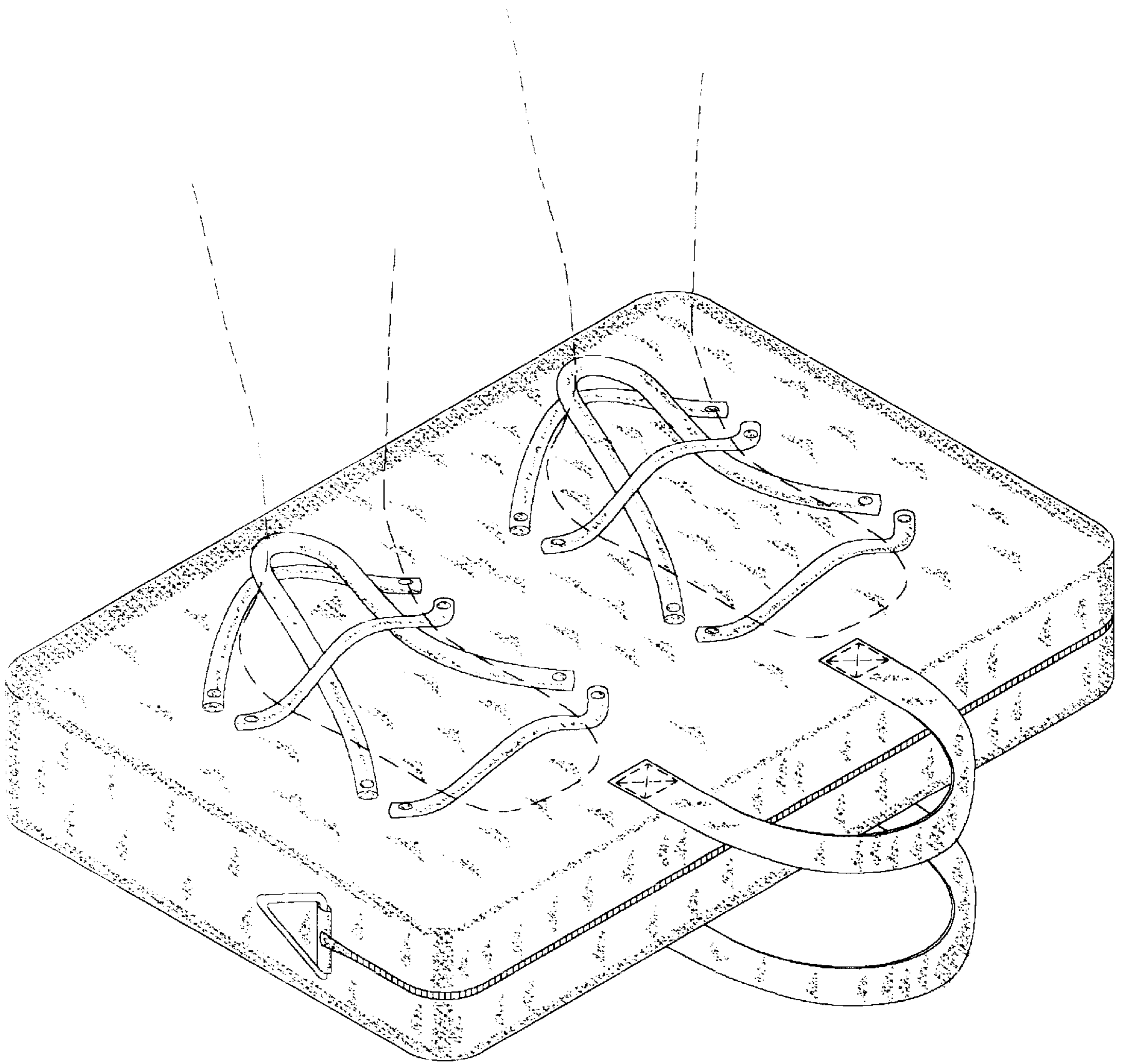


FIG. 8

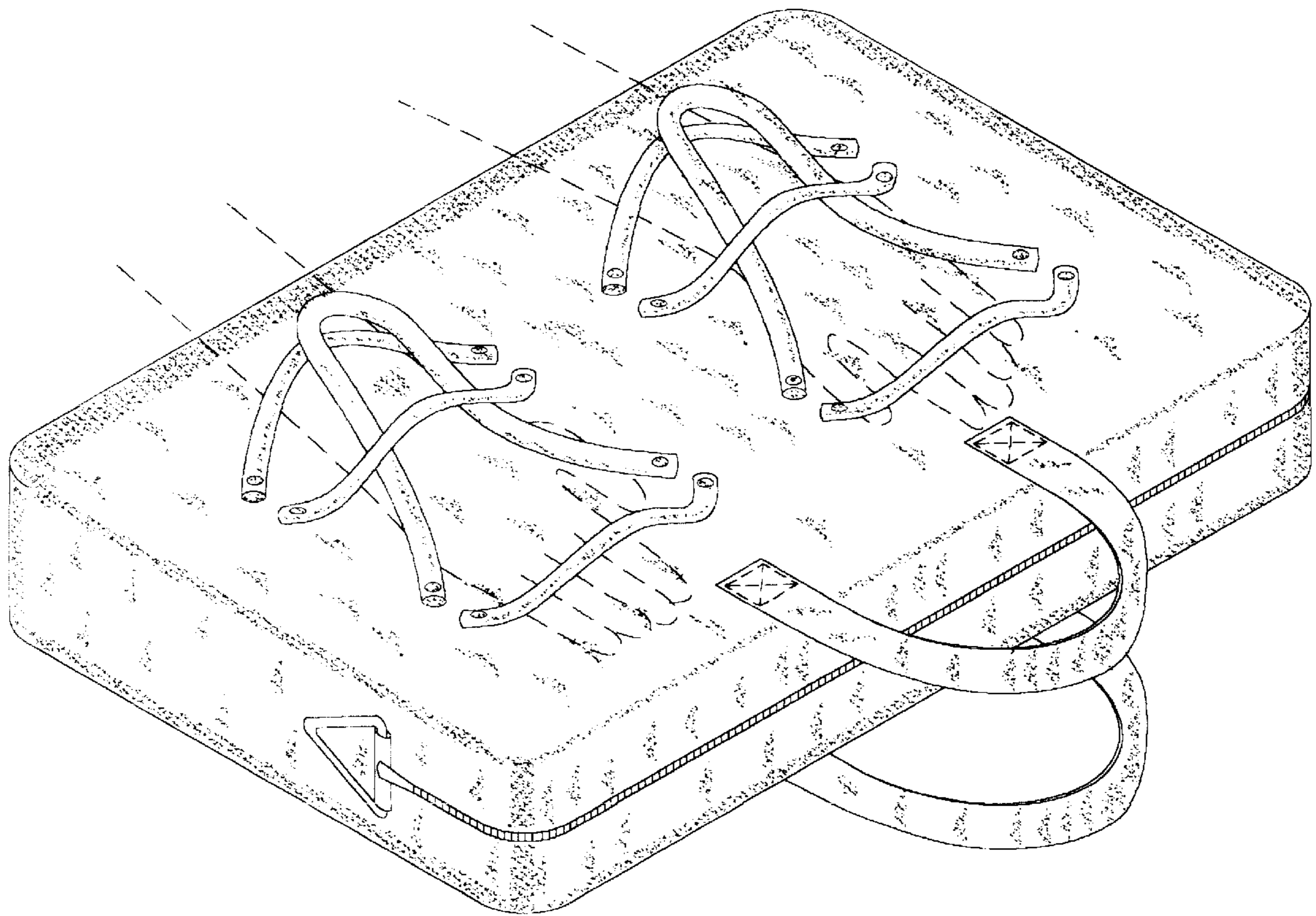


FIG. 9

FIG. 10

