



US00D419237S

United States Patent [19] Priebe

[11] **Patent Number: Des. 419,237**

[45] **Date of Patent: ** Jan. 18, 2000**

[54] **OCTAGONAL SYRINGE HOLDER**

5,718,689 2/1998 Stevenson 604/192

[75] Inventor: **Robert N. Priebe**, Bloomington, Minn.

Primary Examiner—Stella Reid
Assistant Examiner—I Simmons
Attorney, Agent, or Firm—Merchant & Gould P.C.

[73] Assignee: **Apothecary Products, Inc.**, Burnsville, Minn.

[**] Term: **14 Years**

[57] **CLAIM**

The ornamental design for octagonal syringe holder, as shown and described.

[21] Appl. No.: **29/096,816**

[22] Filed: **Nov. 20, 1998**

DESCRIPTION

[51] **LOC (7) Cl.** **24-02**

[52] **U.S. Cl.** **D24/130**

[58] **Field of Search** D24/130; 604/192,
604/263; 206/363, 364, 365, 366, 367,
368

FIG. 1 is a perspective view of an octagonal syringe holder as viewed from the front and side thereof;
FIG. 2 is an elevational view of one end of the octagonal syringe holder;
FIG. 3 is an elevational view of the opposite end of the octagonal syringe holder;
FIG. 4 is a top plan view of the octagonal syringe holder;
FIG. 5 is a bottom plan view of the octagonal syringe holder;
and,
FIG. 6 is an elevational view of one side of the octagonal syringe holder, the opposite side being the mirror image thereof.

[56] **References Cited**

U.S. PATENT DOCUMENTS

D. 358,885	5/1995	Benson et al.	D24/130
5,078,696	1/1992	Nedbalak	604/192
5,312,346	5/1994	Han	604/263 X
5,356,385	10/1994	Latini	206/366
5,564,565	10/1996	Yamada	206/365

1 Claim, 2 Drawing Sheets

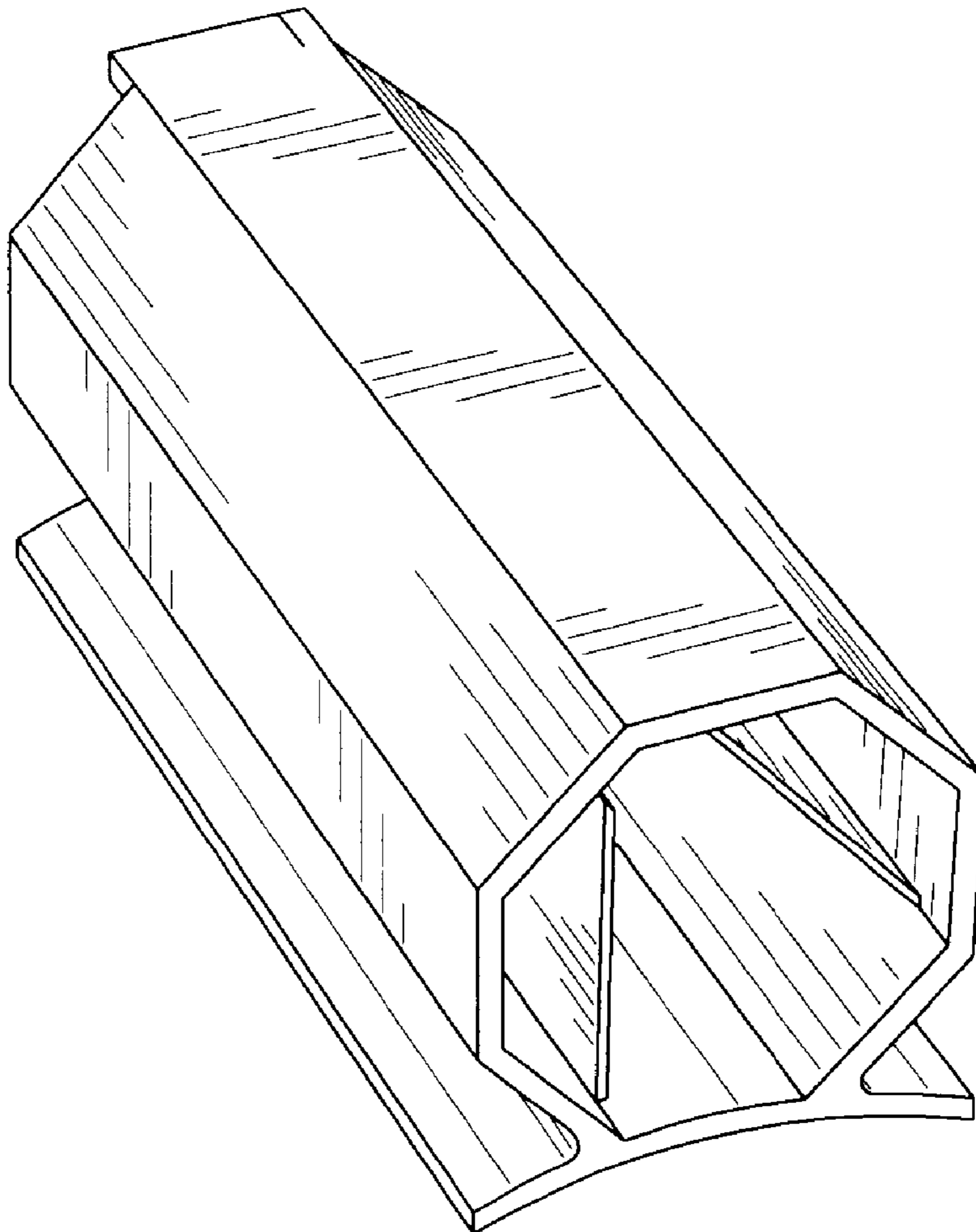


FIG. 1

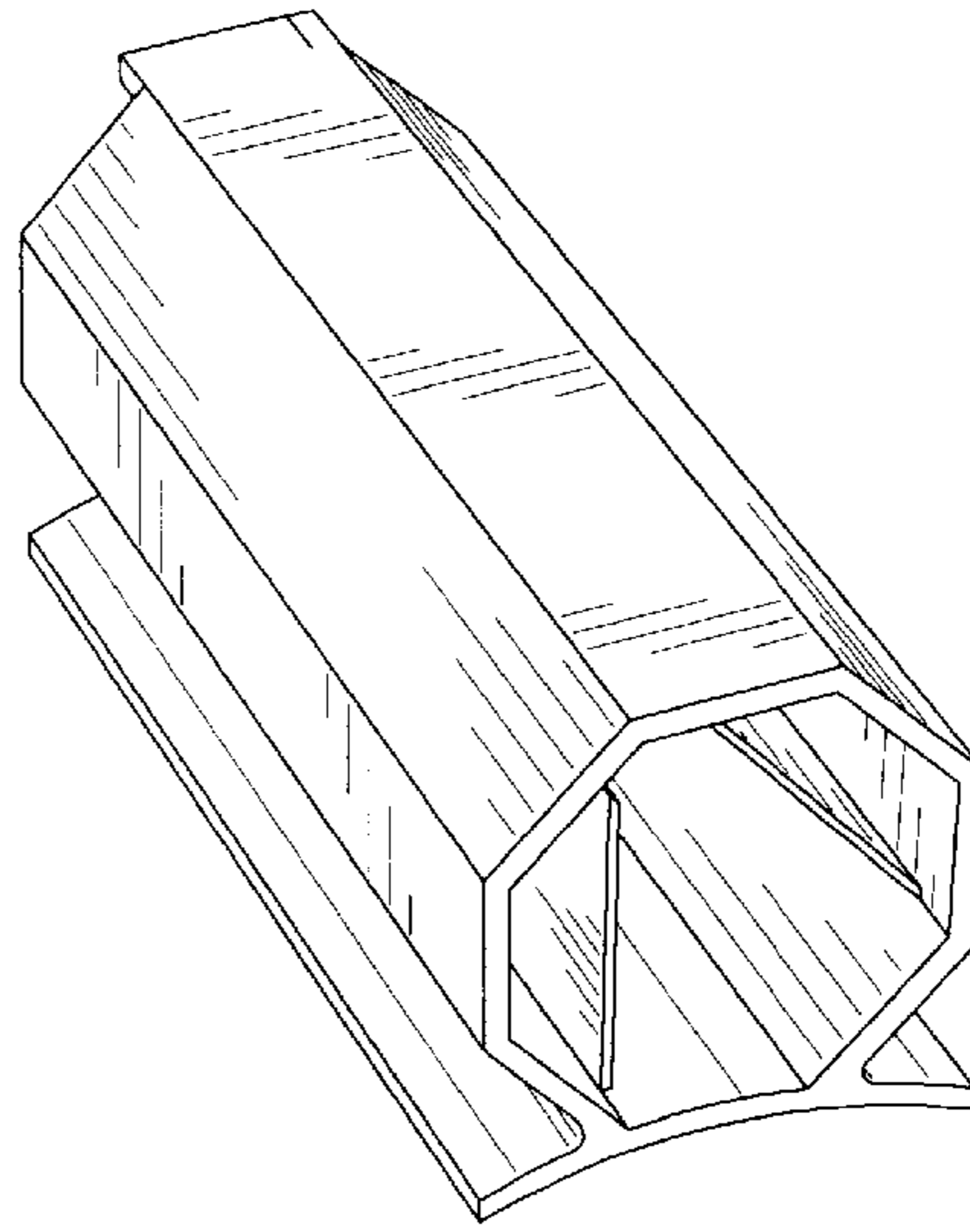


FIG. 2

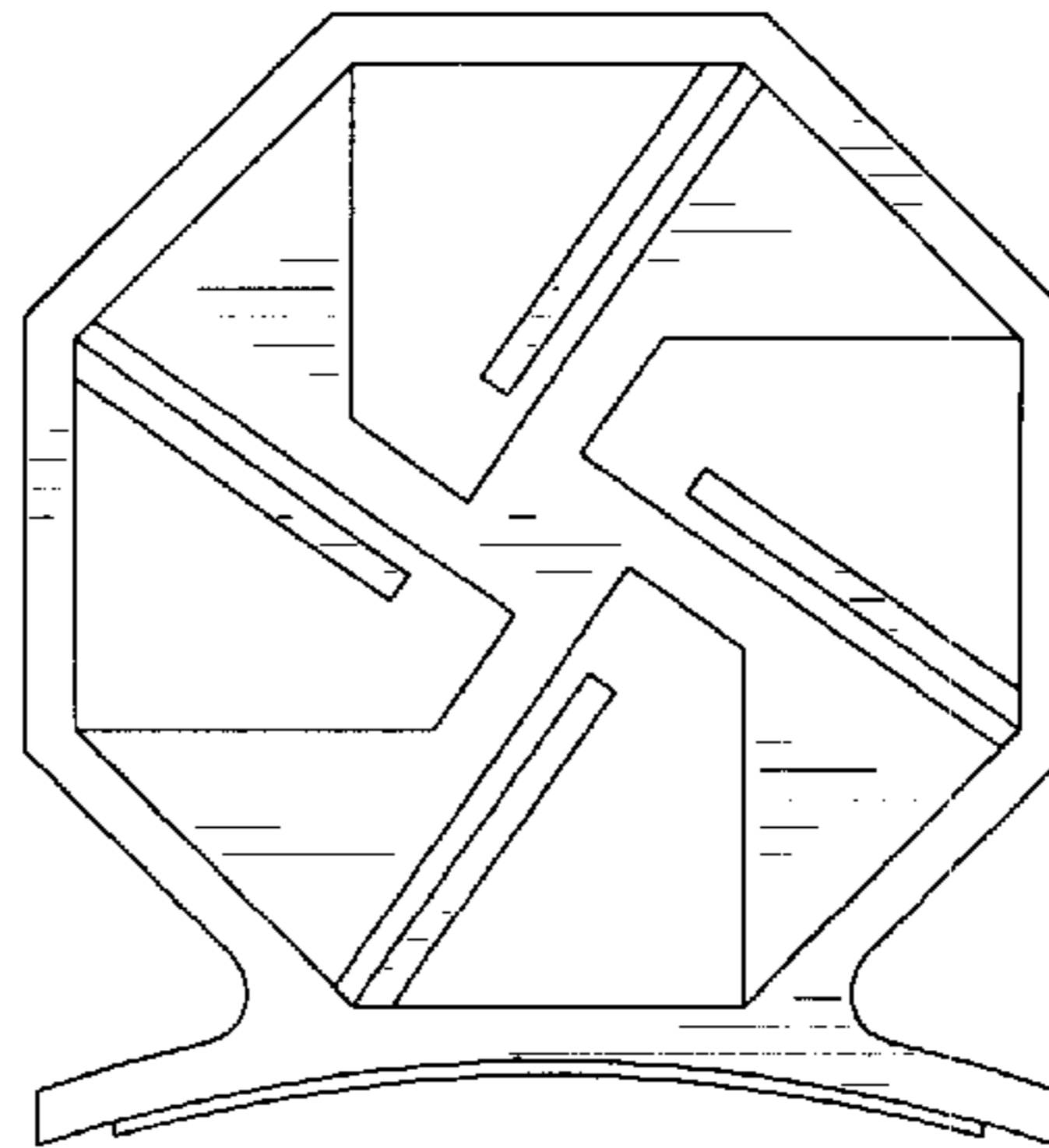


FIG. 3

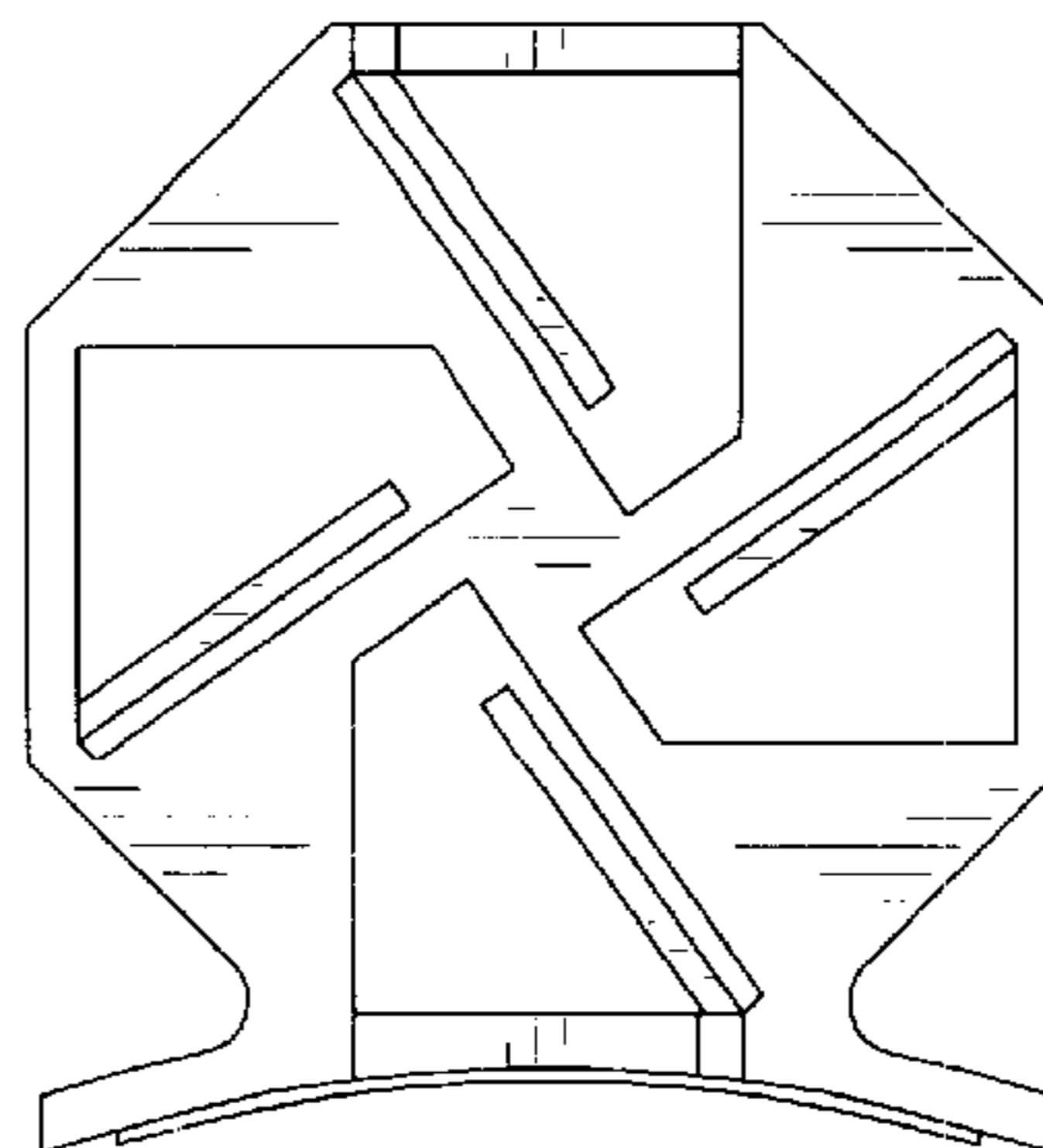


FIG. 4

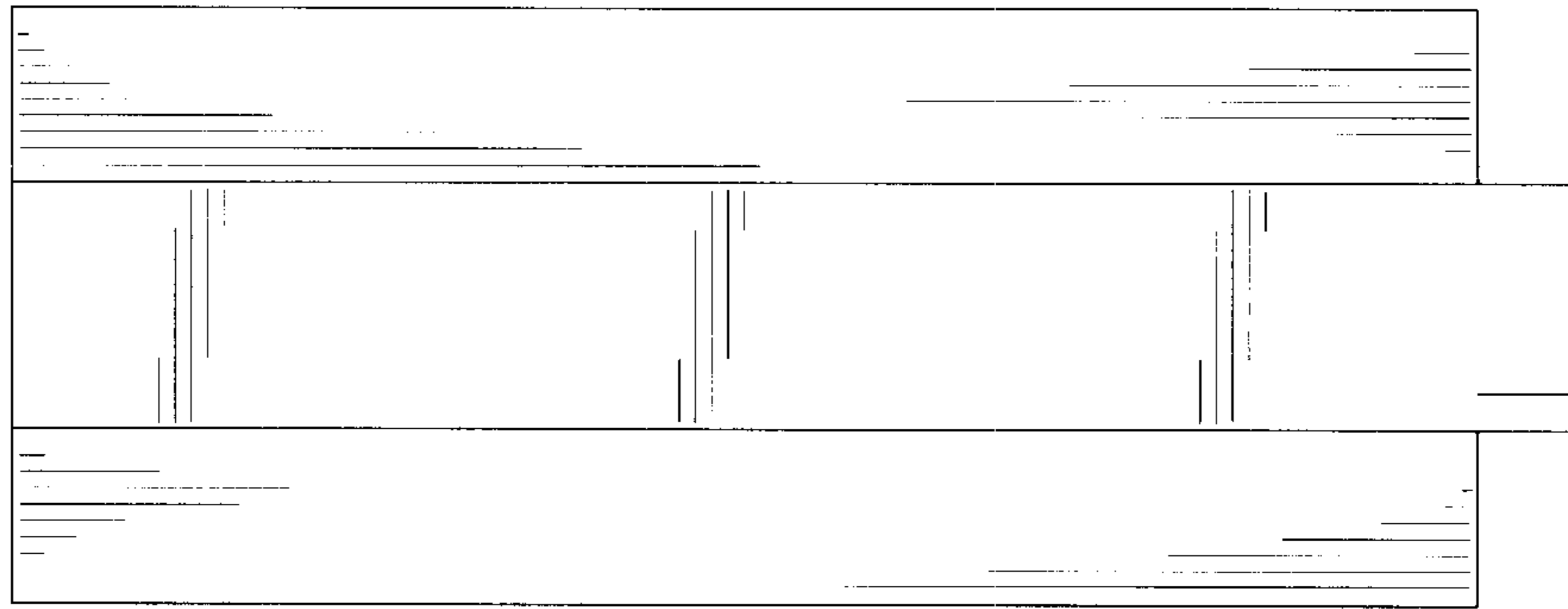


FIG. 5

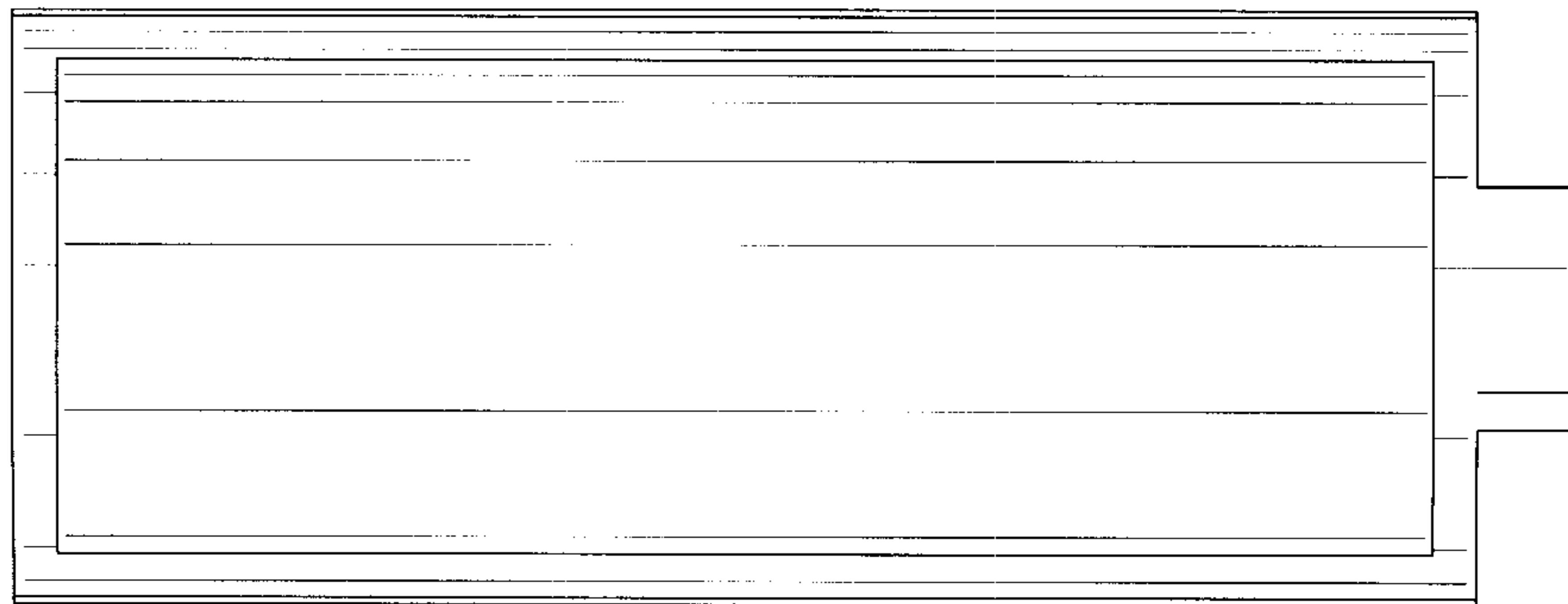


FIG. 6

