



US00D419234S

United States Patent [19]

[11] Patent Number: Des. 419,234

Doms et al.

[45] Date of Patent: ** Jan. 18, 2000

[54] EXTERIOR HOUSING FOR AN ANALYTICAL INSTRUMENT

[75] Inventors: **Lutz Doms**, Port Chester, N.Y.; **Julian Schlagheck**, Munich, Germany

[73] Assignee: **Bayer Corporation**, Tarrytown, N.Y.

[**] Term: **14 Years**

Primary Examiner—Stella Reid
Assistant Examiner—I Simmons
Attorney, Agent, or Firm—Orrick, Herrington & Sutcliffe LLP

[21] Appl. No.: **29/090,680**

[22] Filed: **Jul. 14, 1998**

[51] **LOC (7) Cl.** **24-01**

[52] **U.S. Cl.** **D24/107; D24/231; D24/232**

[58] **Field of Search** D24/231, 232, D24/107, 186, 185; D10/81, 75; D14/115; 422/64, 62, 63, 66, 65

[57] **CLAIM**

The ornamental design for an exterior housing for an analytical instrument, as shown and described.

DESCRIPTION

FIG. 1 is a perspective view of an exterior housing for an analytical instrument showing our new design; FIG. 2 is a front elevational view thereof; FIG. 3 is a left side elevational view thereof; FIG. 4 is a right side elevational view thereof; and, FIG. 5 is a top plan view thereof.

The rear and bottom of the exterior housing for an analytical instrument forms no part of the claimed design.

The broken Line Showing in FIGS. 1 through 5 are for illustrative purposes only and forms no part of the claimed design.

[56] **References Cited**
 U.S. PATENT DOCUMENTS

D. 304,307	10/1989	Nagai et al.	D24/232
D. 351,469	10/1994	Okamoto et al.	D24/186 X
D. 368,143	3/1996	Willows et al.	D24/232 X

1 Claim, 3 Drawing Sheets

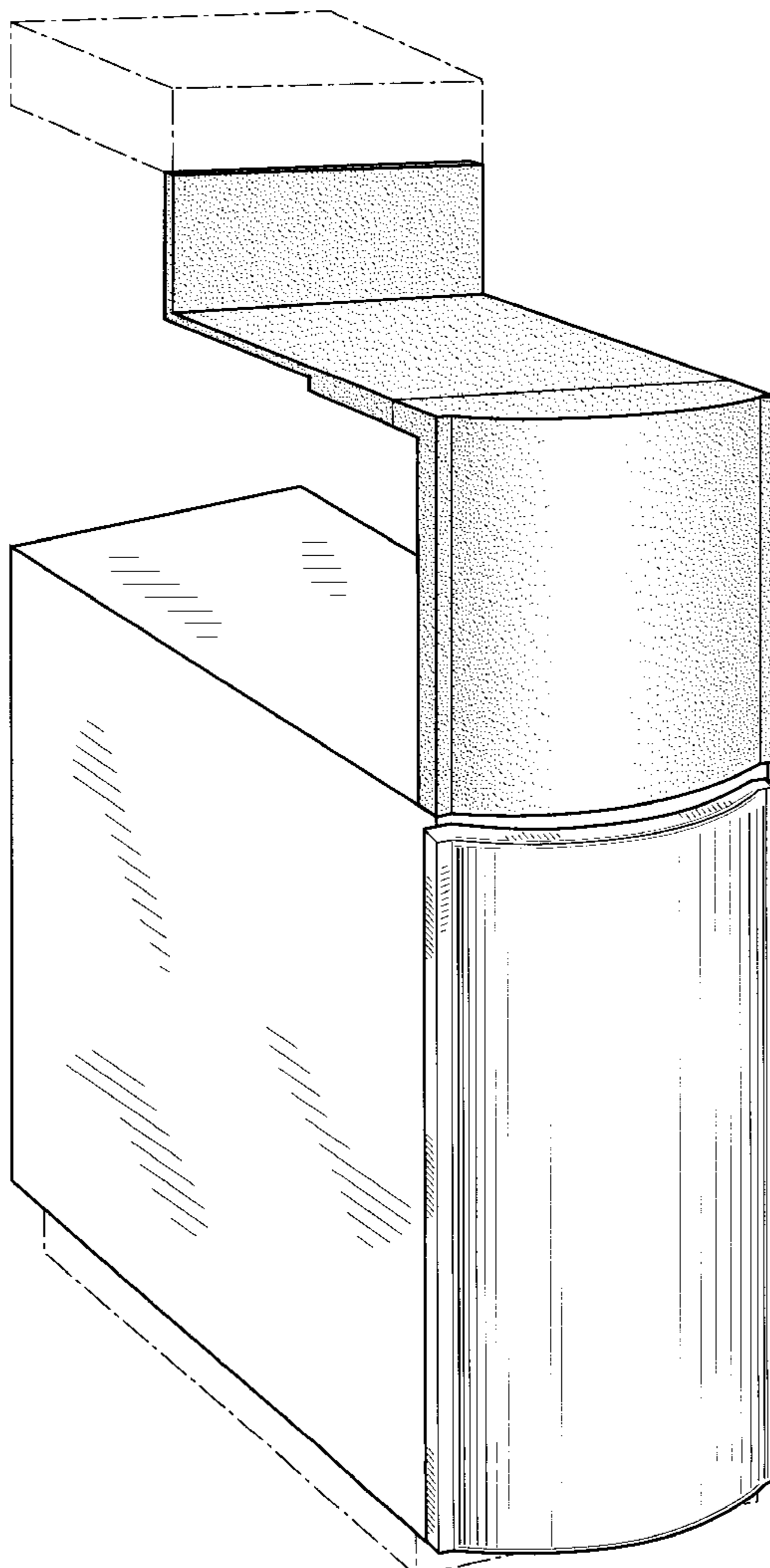


FIG. 1

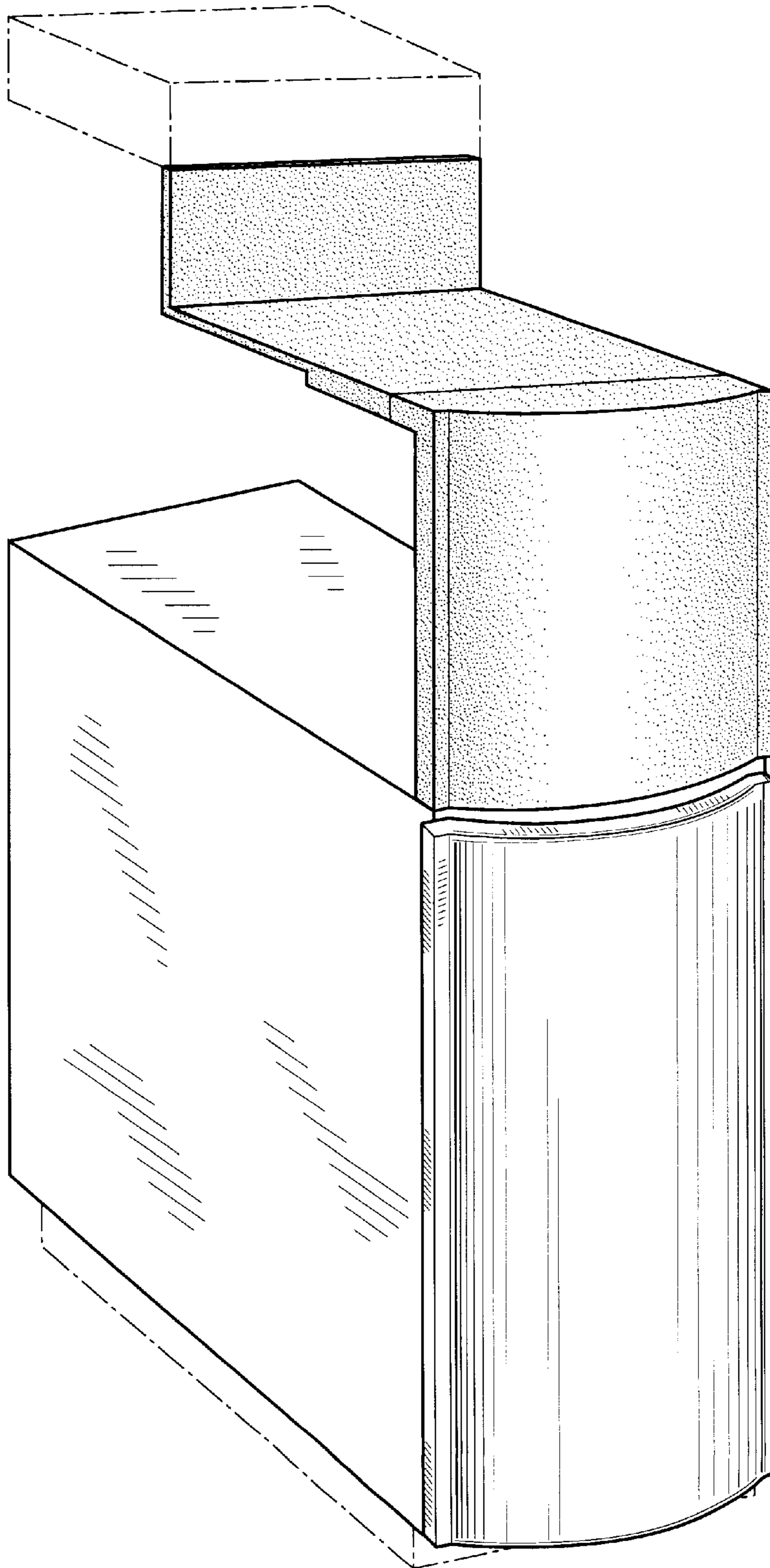


FIG. 2

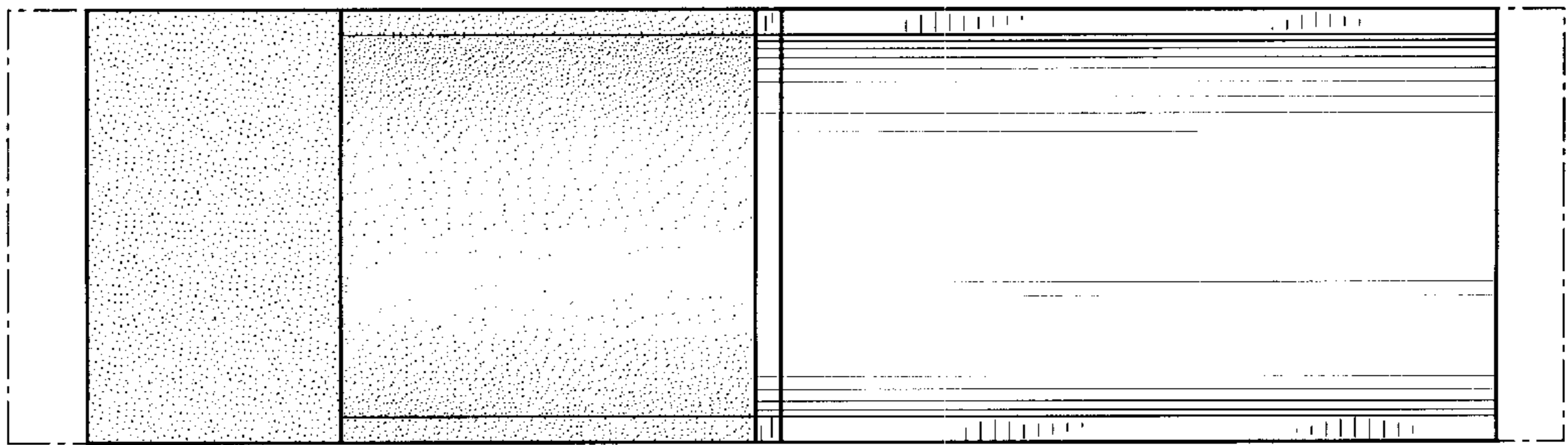


FIG. 5

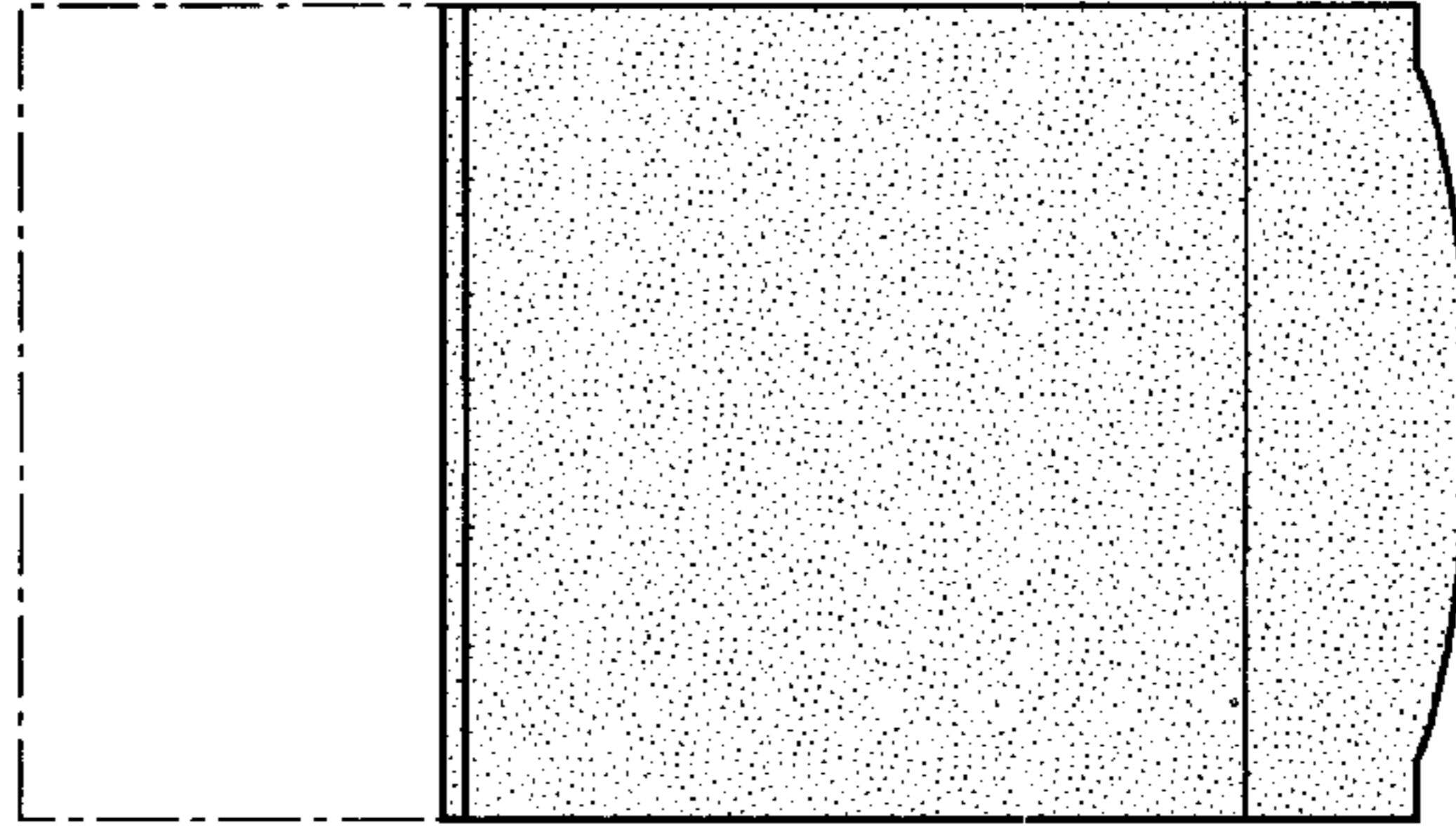


FIG. 4

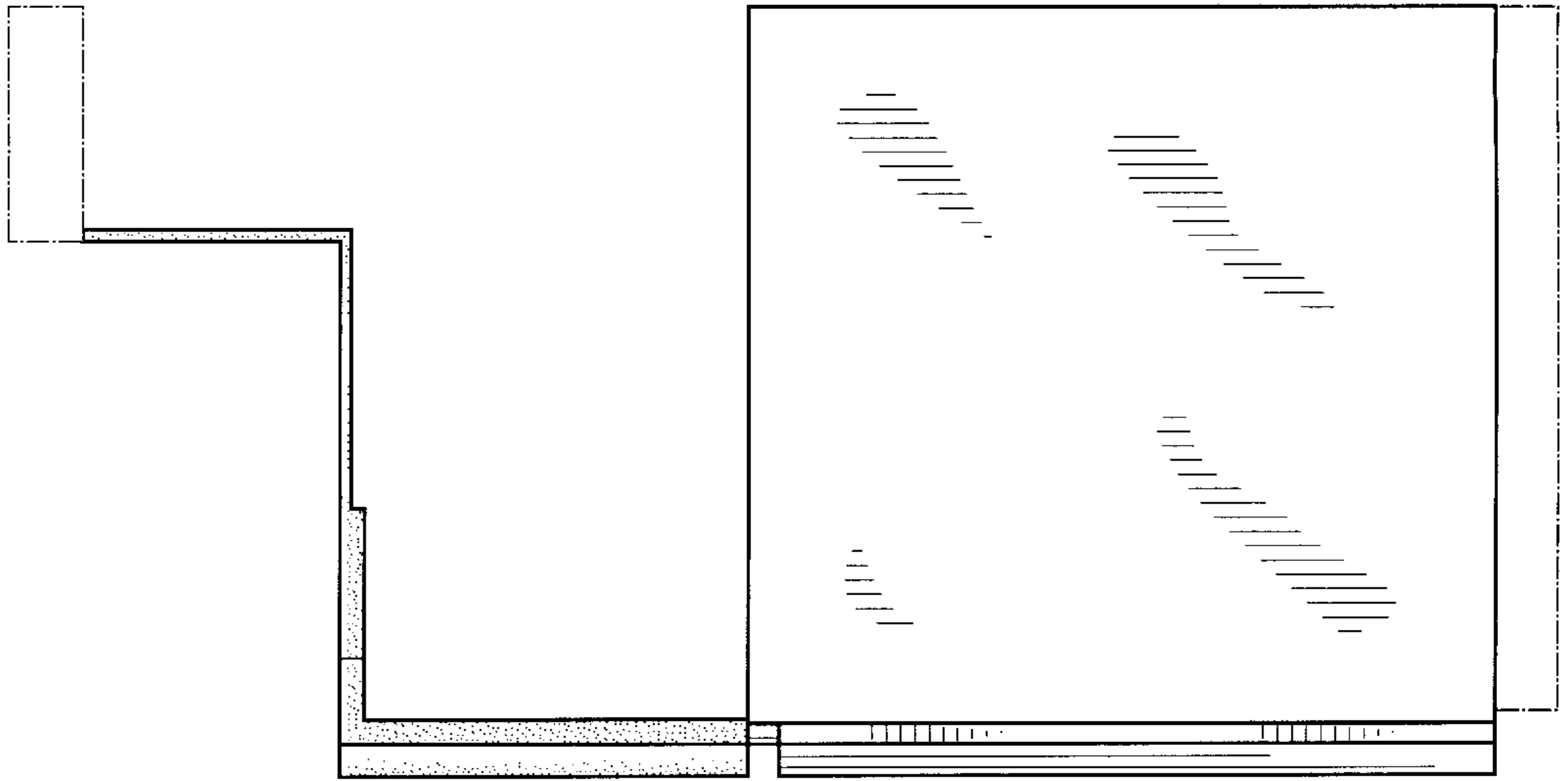


FIG. 3

