



US00D419230S

# United States Patent [19] Ciccone

[11] **Patent Number: Des. 419,230**  
[45] **Date of Patent: \*\* Jan. 18, 2000**

[54] **PORTABLE EVAPORATIVE COOLER**

[75] Inventor: **Ted Ciccone**, Phoenix, Ariz.

[73] Assignee: **AdobeAir, Inc.**, Phoenix, Ariz.

[\*\*] Term: **14 Years**

[21] Appl. No.: **29/092,190**

[22] Filed: **Aug. 13, 1998**

[51] **LOC (7) Cl. .... 23-04**

[52] **U.S. Cl. .... D23/333; D23/351; D34/20**

[58] **Field of Search .... D23/332, 333, D23/351; D34/16, 17, 14, 20, 19; 280/47.33, 47.24, 47.34; 296/22; 62/457.1, 457.7, 331, 259.4, 304; 312/31, 236**

[56] **References Cited**

**U.S. PATENT DOCUMENTS**

- D. 183,765 10/1958 Petrie .
- D. 319,306 8/1991 Yamazaki et al. .... D23/333
- D. 353,883 12/1994 Blanchard .... D23/351
- D. 381,166 7/1997 Bonazza .... D34/20
- D. 397,194 8/1998 Hebert .... D23/351

D. 407,152 3/1999 Colliver ..... D23/351

*Primary Examiner*—B. J. Bullock  
*Attorney, Agent, or Firm*—Schiff Hardin & Waite

[57] **CLAIM**

The ornamental design for a portable evaporative cooler, as shown and described.

**DESCRIPTION**

FIG. 1 is a perspective view of the portable evaporative cooler.

FIG. 2 is a top view of the portable evaporative cooler shown in FIG. 1.

FIG. 3 is a front elevational view of the portable evaporative cooler shown in FIG. 1.

FIG. 4 is a rear elevational view of the portable evaporative cooler shown in FIG. 1.

FIG. 5 is a bottom view of the portable evaporative cooler shown in FIG. 1.

FIG. 6 is a right side elevational view of the portable evaporative cooler shown in FIG. 1; and,

FIG. 7 is a left side elevational view of the portable evaporative cooler shown in FIG. 1.

**1 Claim, 4 Drawing Sheets**

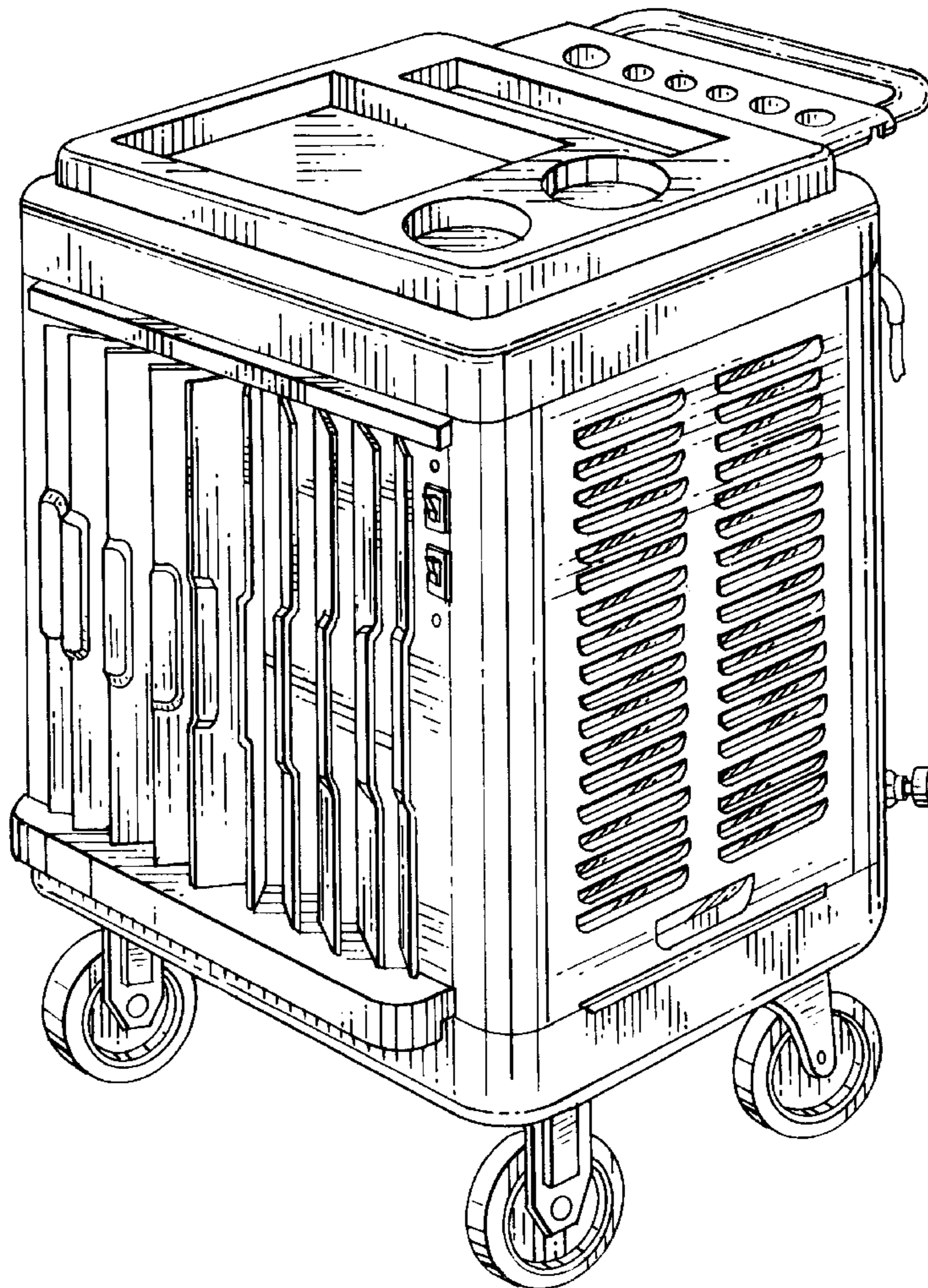


FIG. 1

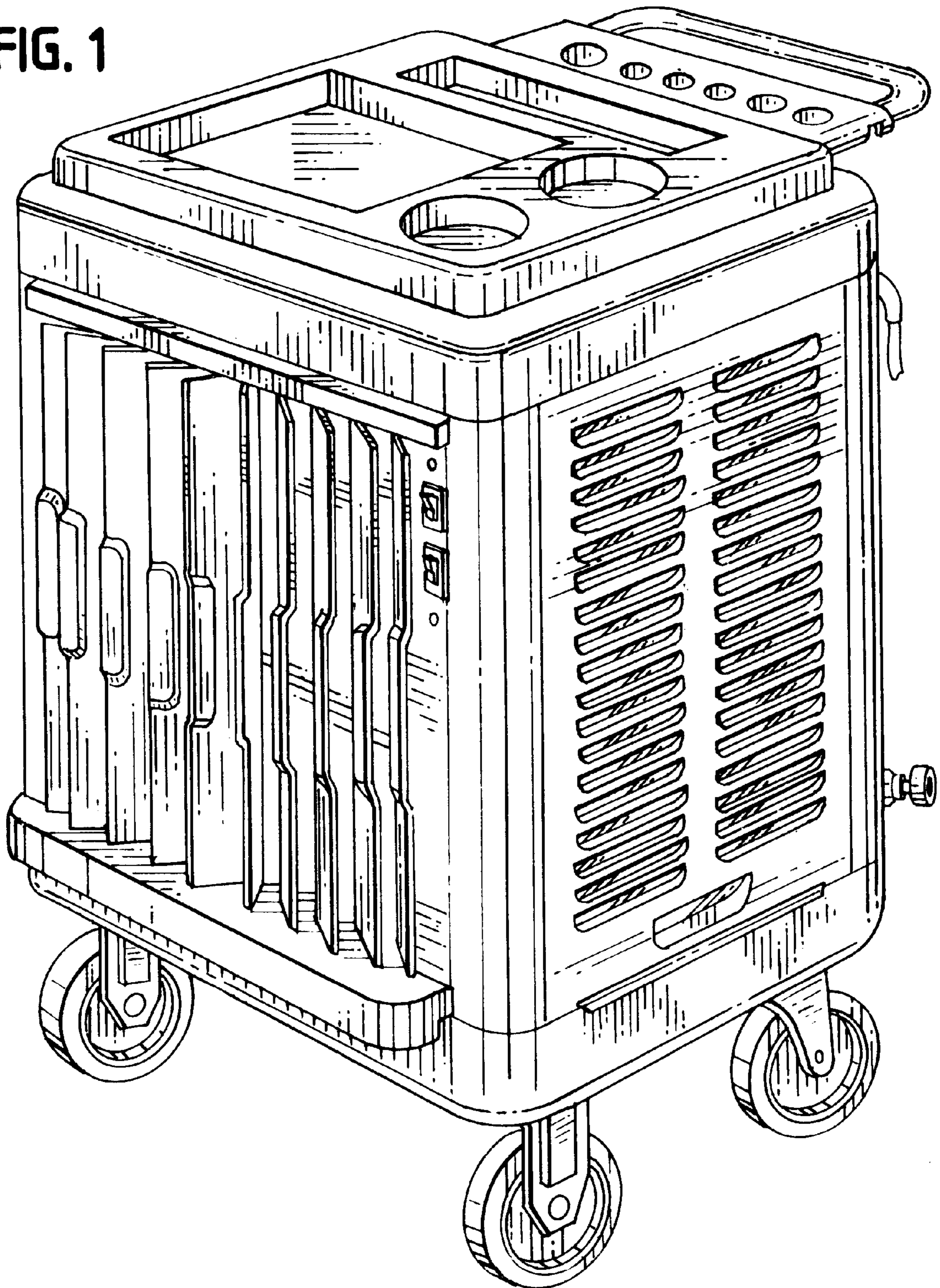


FIG. 2

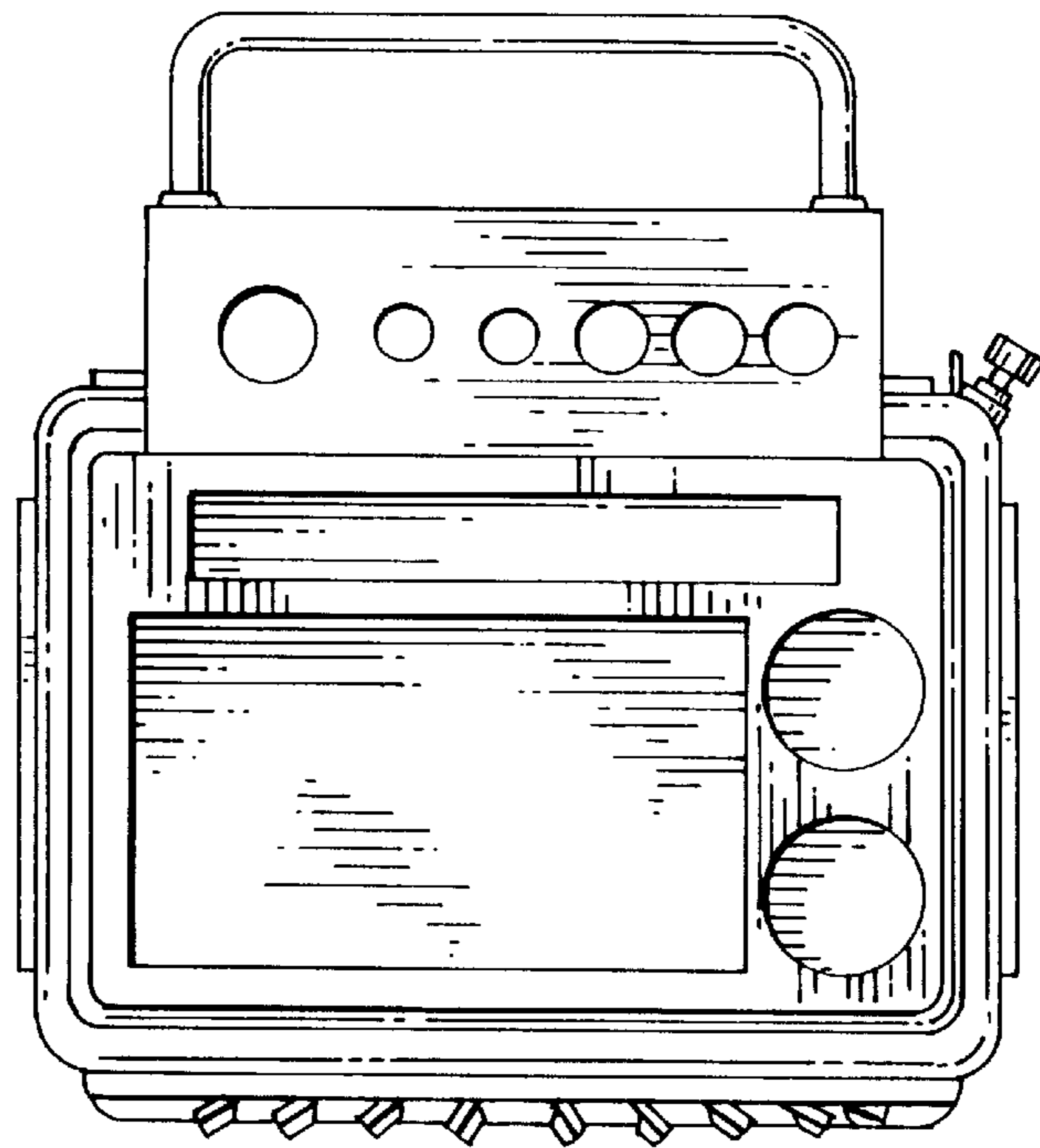


FIG. 3

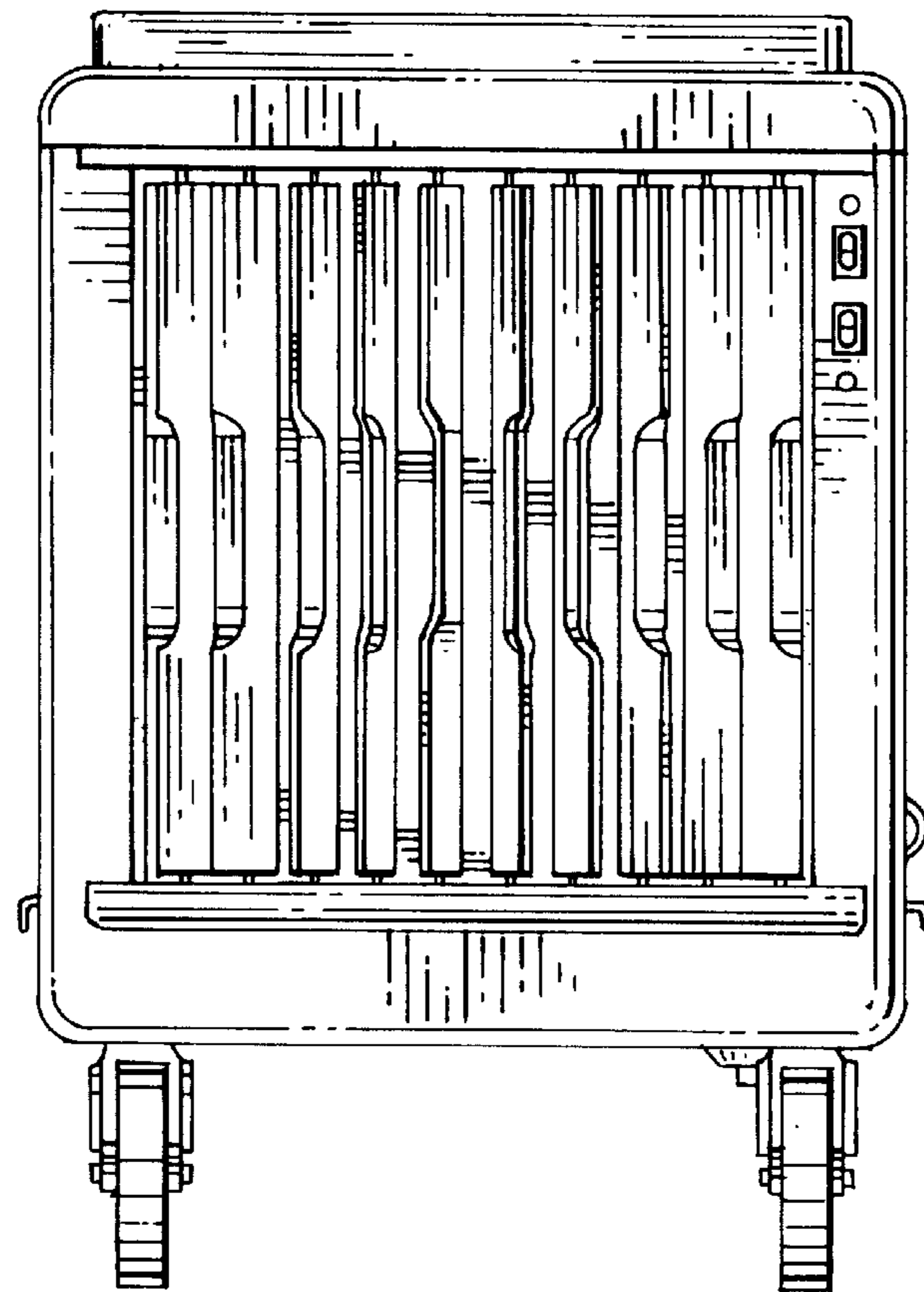


FIG. 4

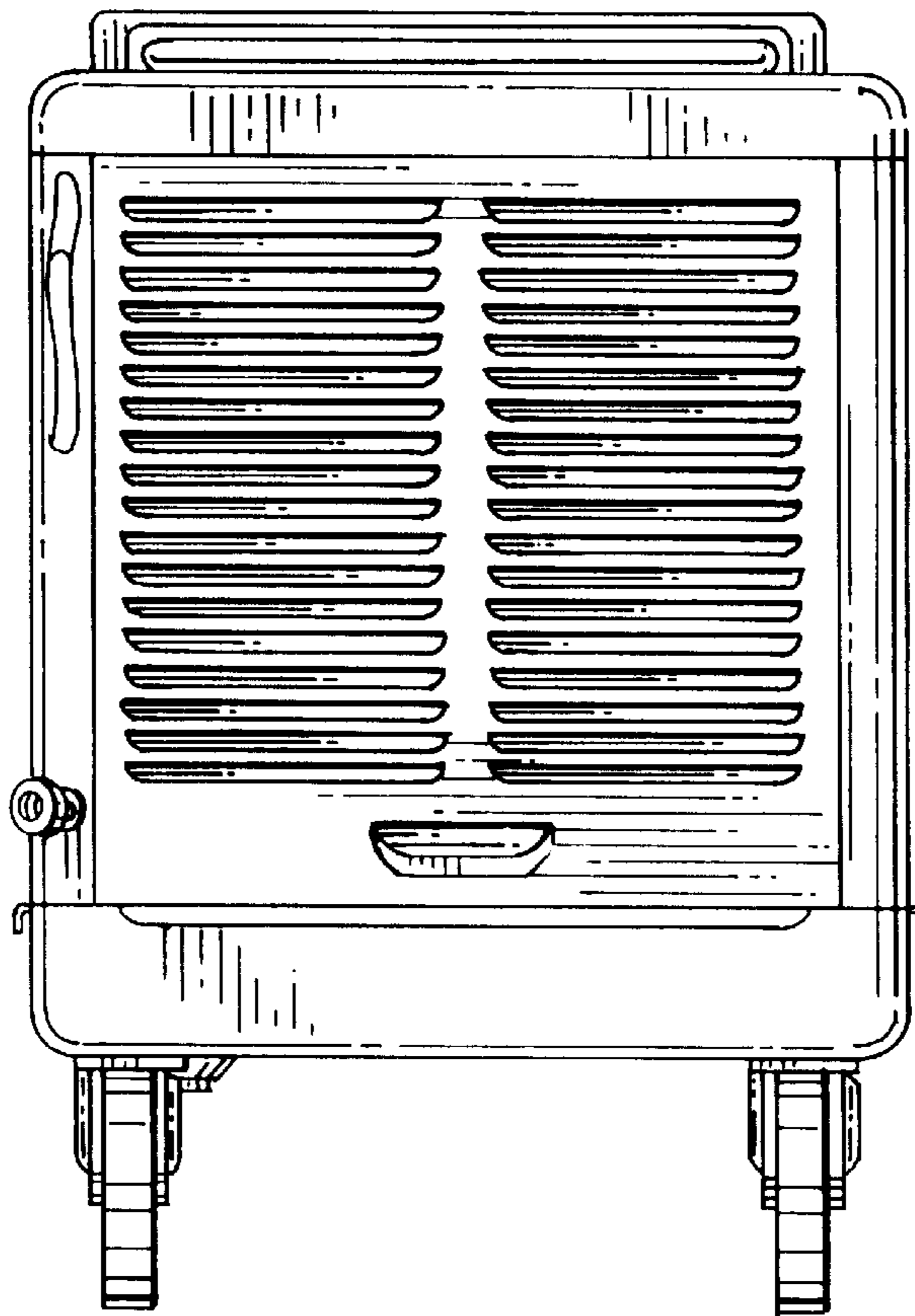
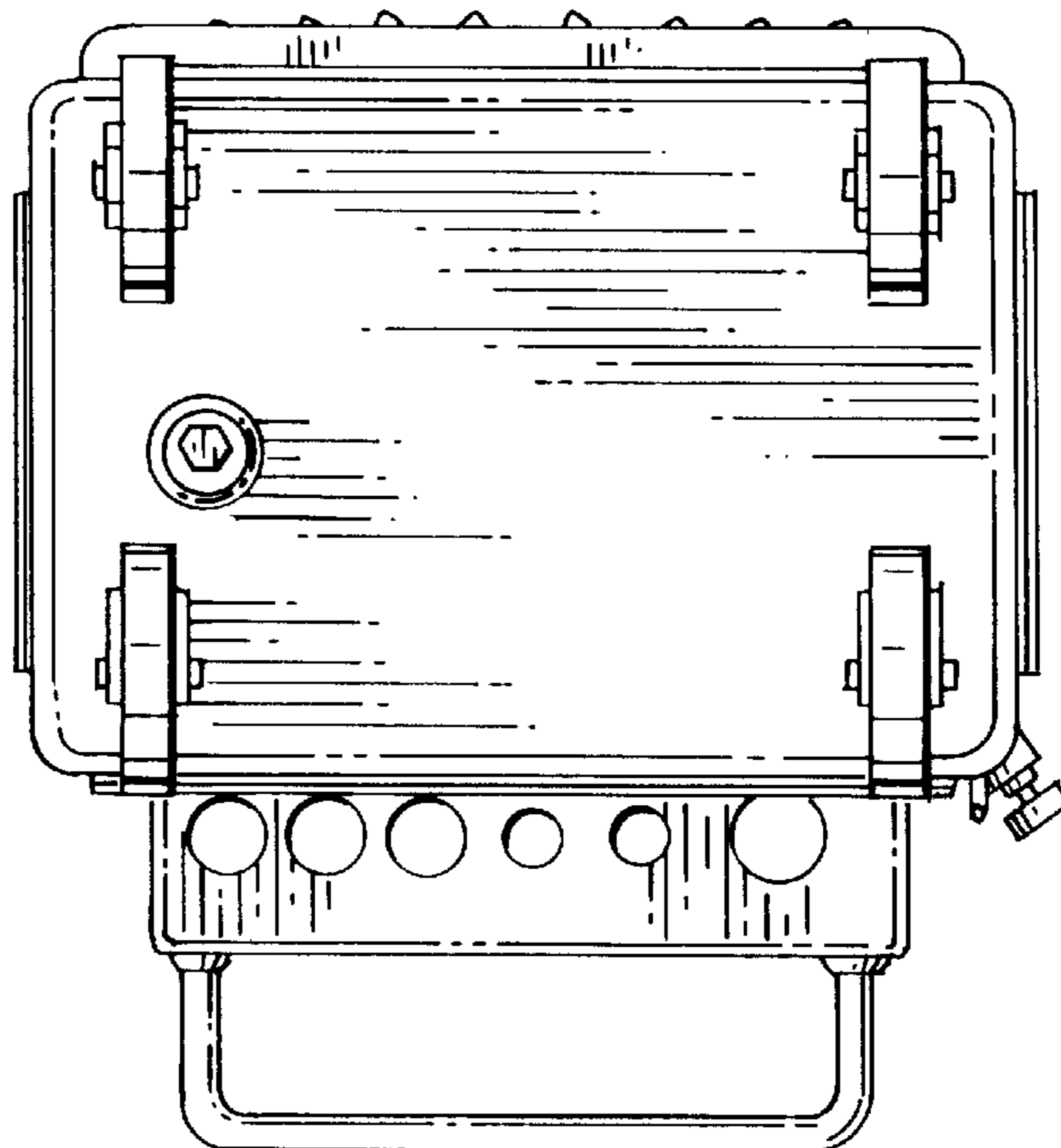


FIG. 5



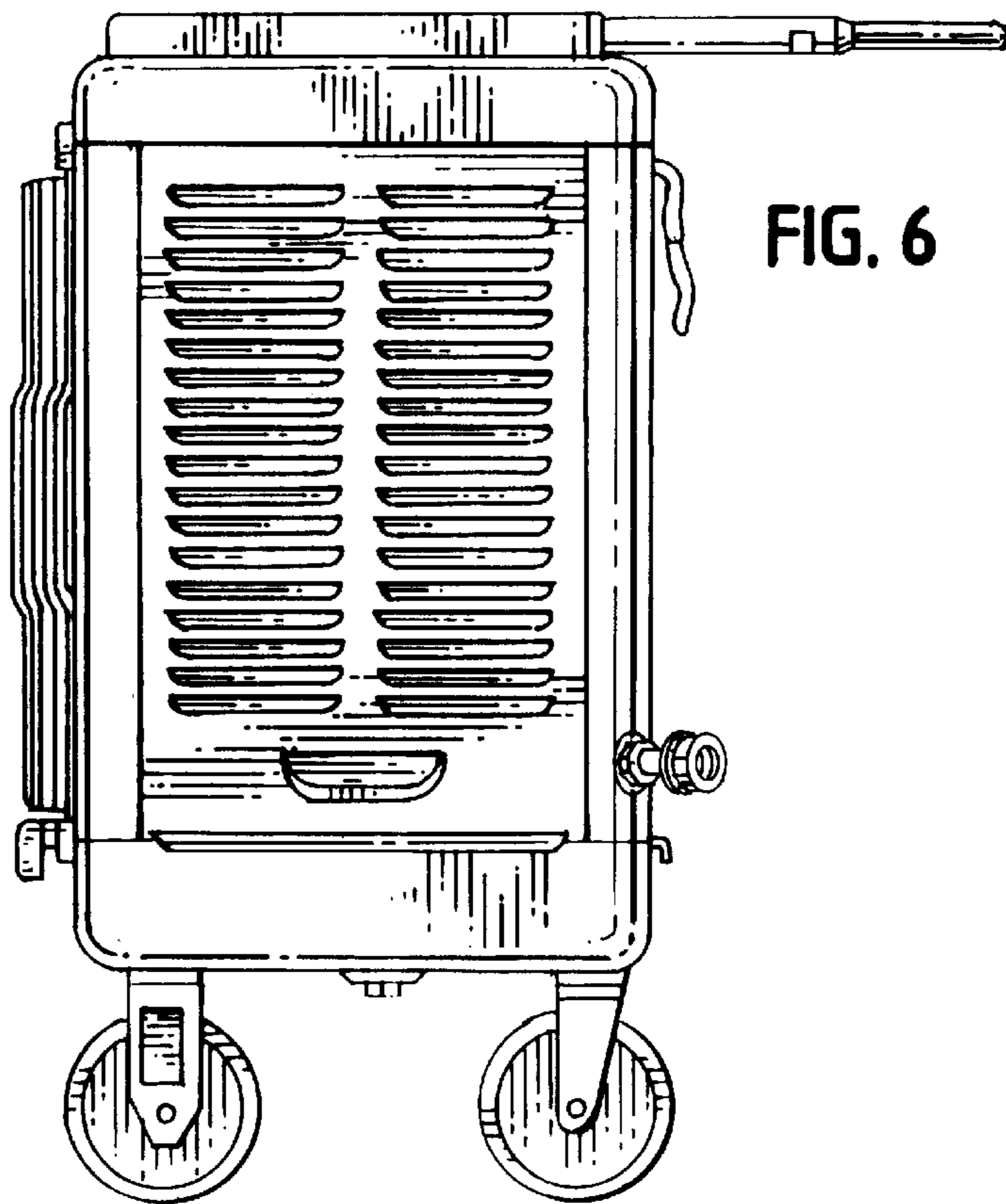


FIG. 6

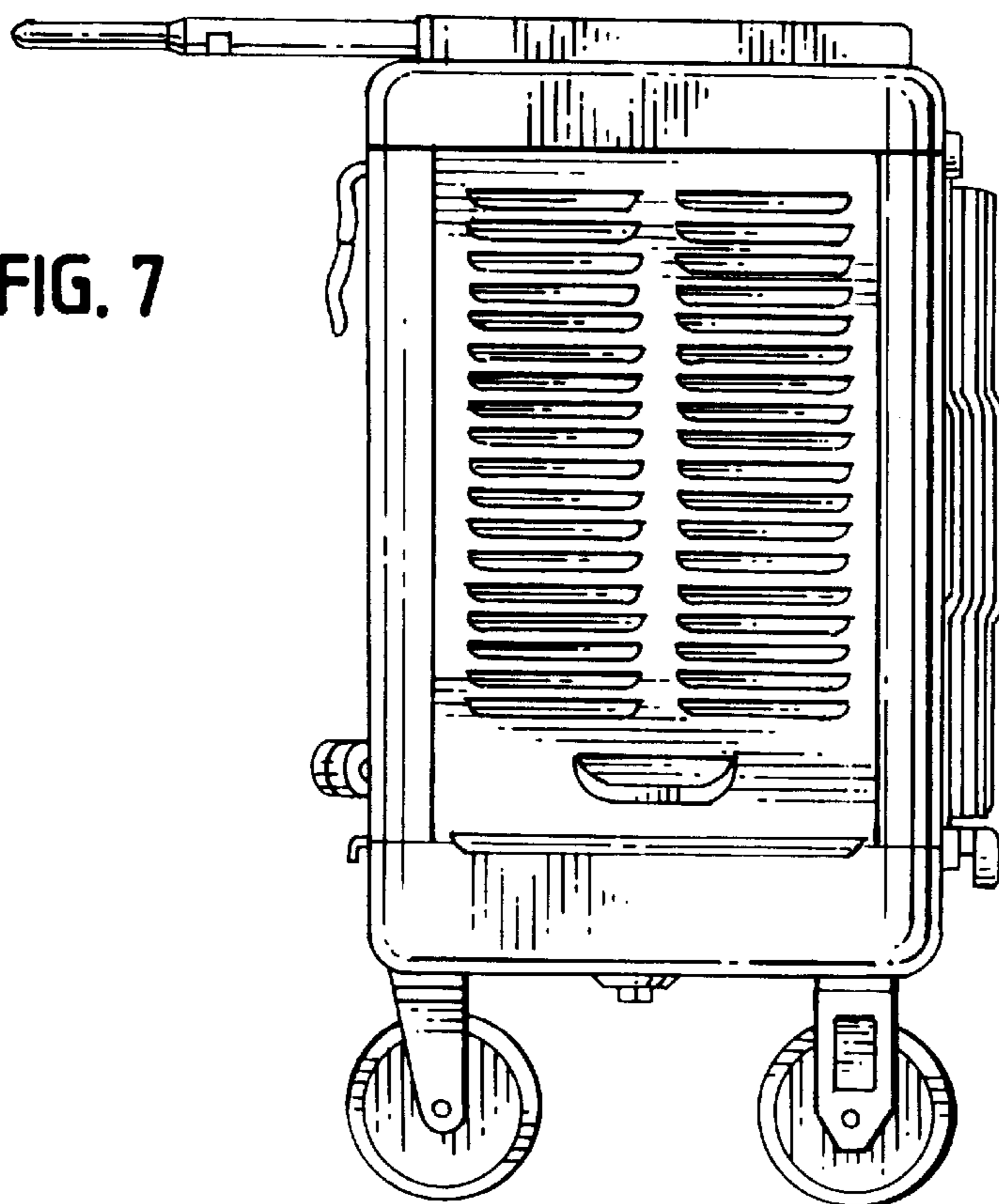


FIG. 7