



US00D419227S

**United States Patent** [19]  
**Ben-Tsur**

[11] **Patent Number: Des. 419,227**  
[45] **Date of Patent: \*\* Jan. 18, 2000**

[54] **SLIDABLE SHOWER HEAD HOLDER**

5,481,765 1/1996 Wang ..... 4/605  
5,833,192 11/1998 Buhrman ..... 248/295.11

[75] Inventor: **Gilad Ben-Tsur**, Gan Ner, Israel

[73] Assignee: **Alsons Corporation**, Hillsdale, Mich.

[\*\*] Term: **14 Years**

*Primary Examiner*—Eric Watterson

*Attorney, Agent, or Firm*—Myron B. Kapustij; Lloyd D. Doigan

[21] Appl. No.: **29/104,787**

[22] Filed: **May 12, 1999**

[57] **CLAIM**

The ornamental design for a slidable shower head holder, as shown and described.

[51] **LOC (7) Cl.** ..... **23-02**

[52] **U.S. Cl.** ..... **D23/304**

[58] **Field of Search** ..... D23/303-311,  
D23/213, 223; 4/567-570, 605, 615, 559;  
248/75, 220.2, 291, 295.11

**DESCRIPTION**

FIG. 1 is a top front perspective view of a slidable shower head holder showing my new design; FIG. 2 is a bottom plan view thereof; FIG. 3 is a left side elevational view thereof; FIG. 4 is a right side elevational view thereof; FIG. 5 is a front elevational view thereof; and, FIG. 6 is a rear elevational view thereof.

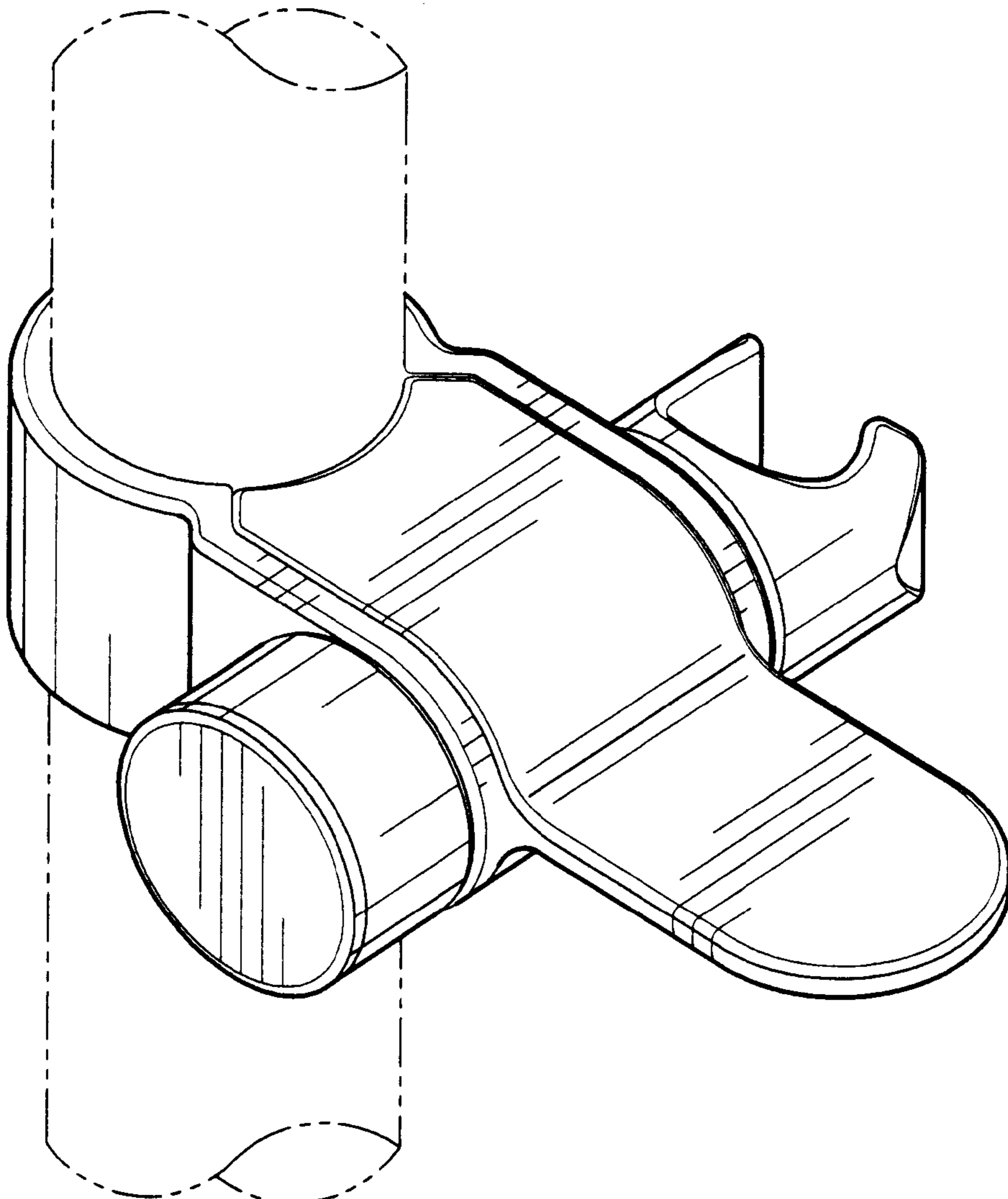
The broken line showing is for illustrative purposes only and forms no part of the claimed design.

[56] **References Cited**

**U.S. PATENT DOCUMENTS**

- D. 334,794 4/1993 Klose ..... D23/213
- D. 341,007 11/1993 Haug et al. .... D23/223
- D. 403,754 1/1999 Gottwald ..... D23/304

**1 Claim, 2 Drawing Sheets**



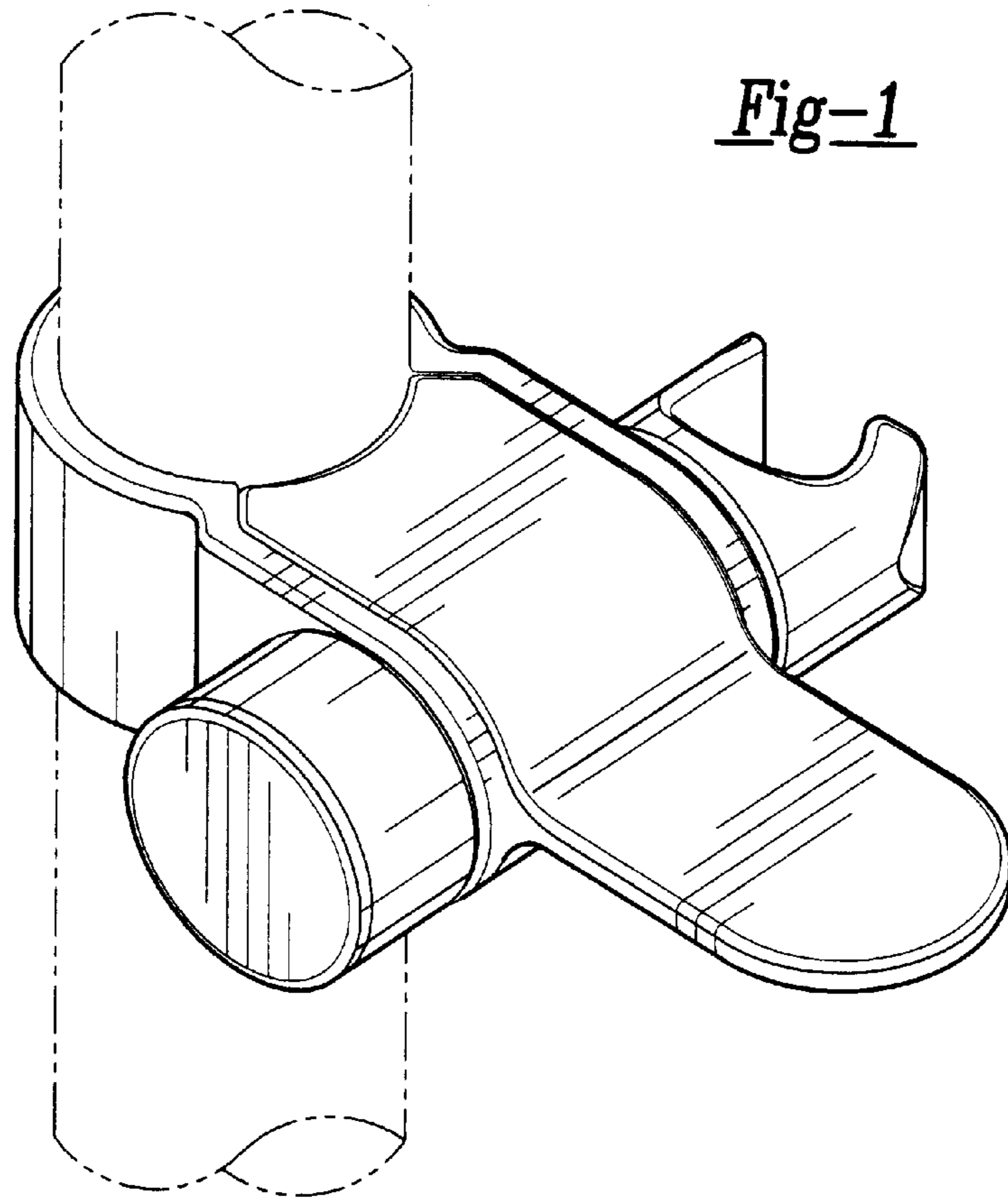


Fig-1

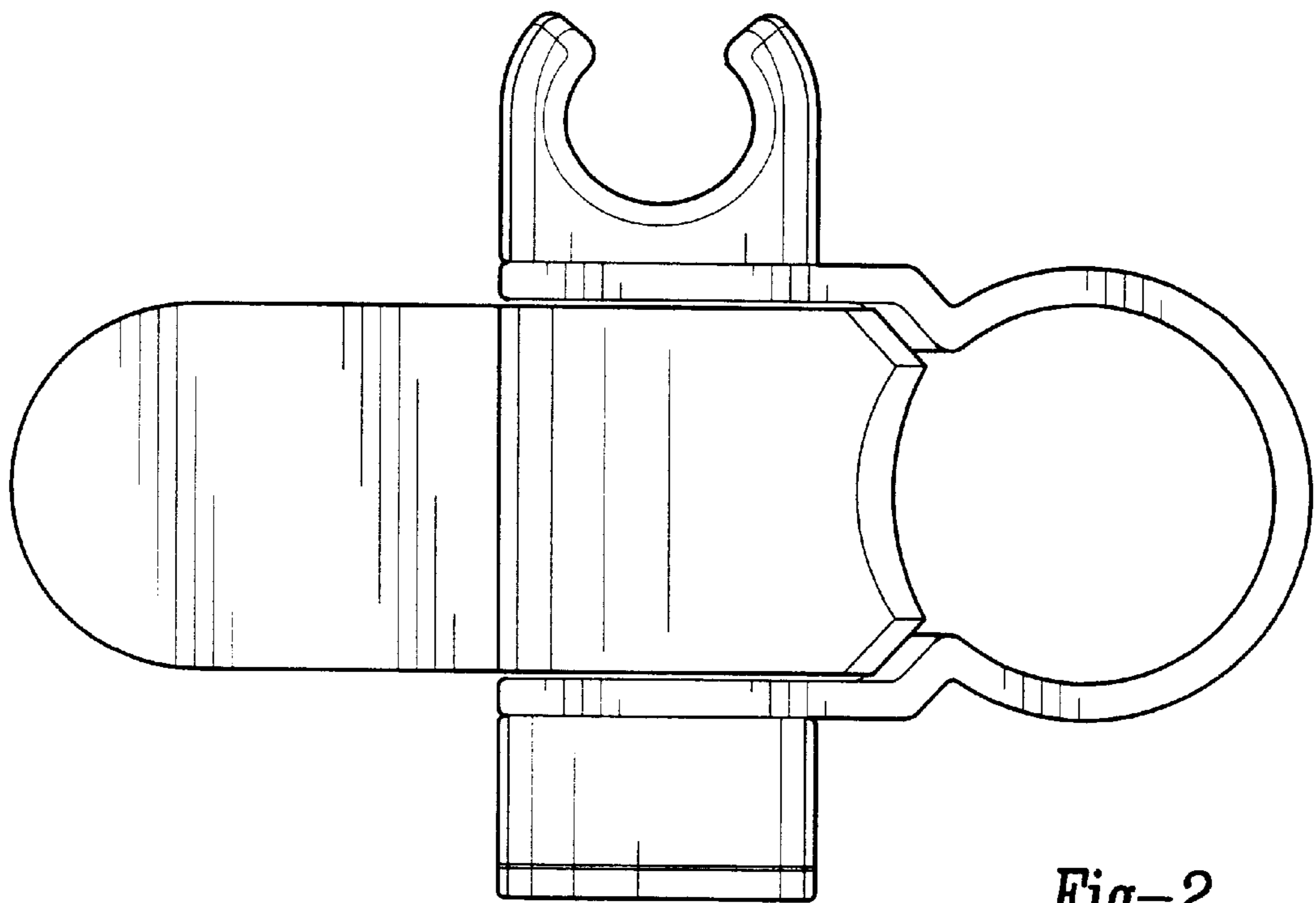


Fig-2

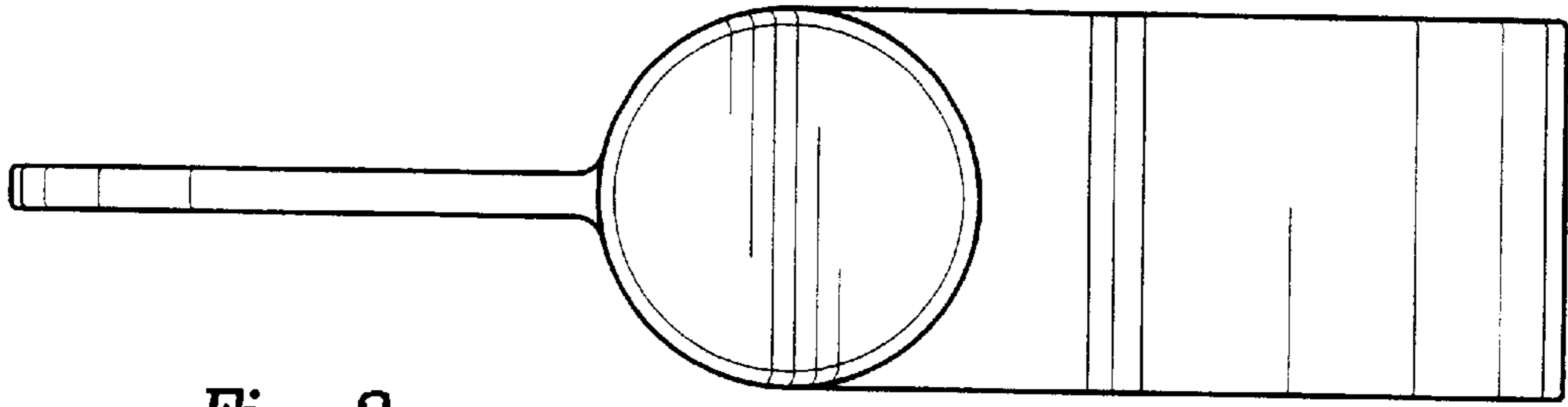


Fig-3

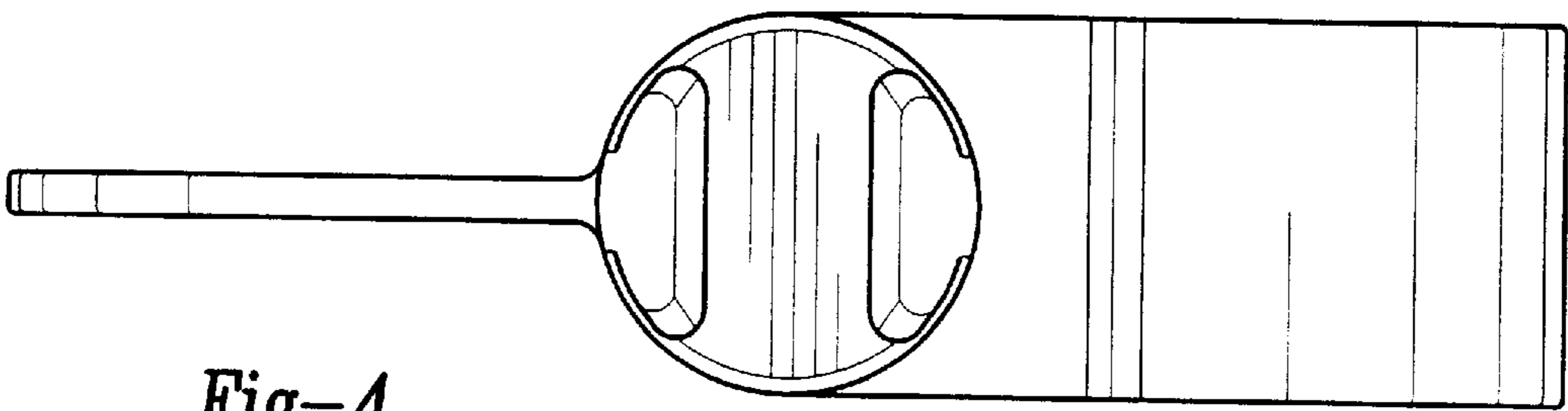


Fig-4

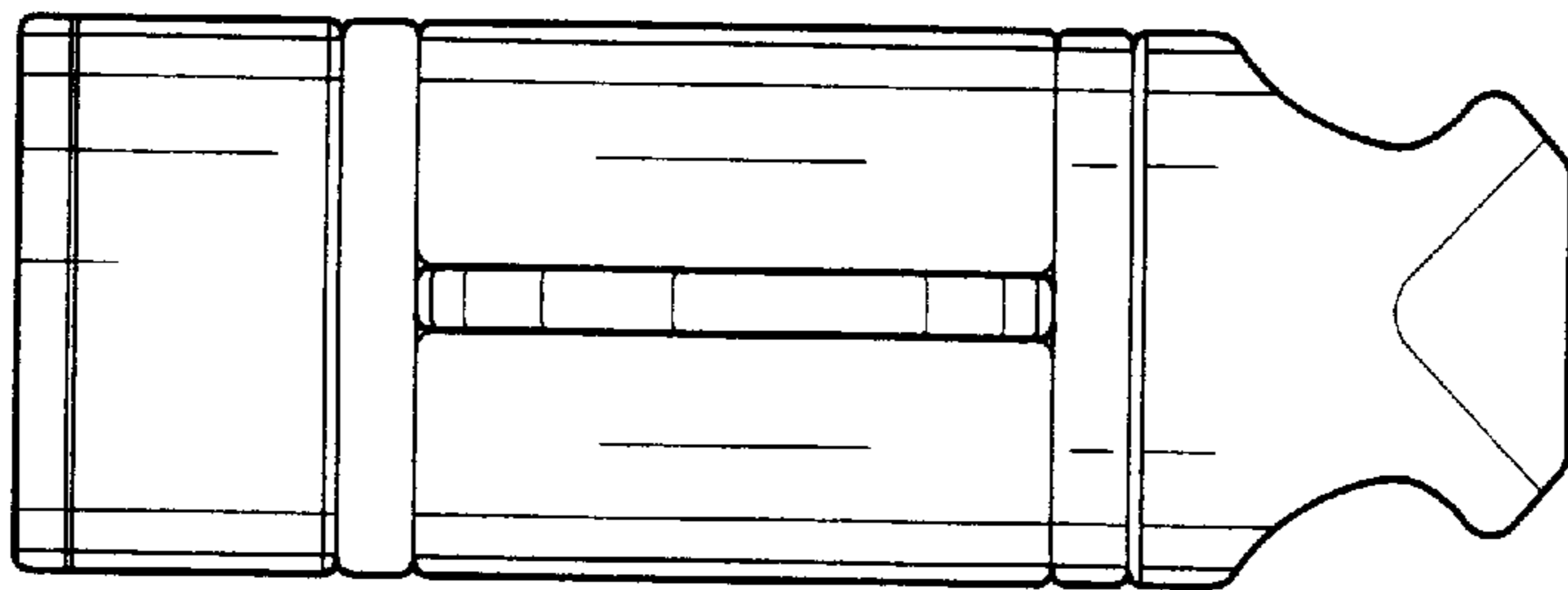


Fig-5

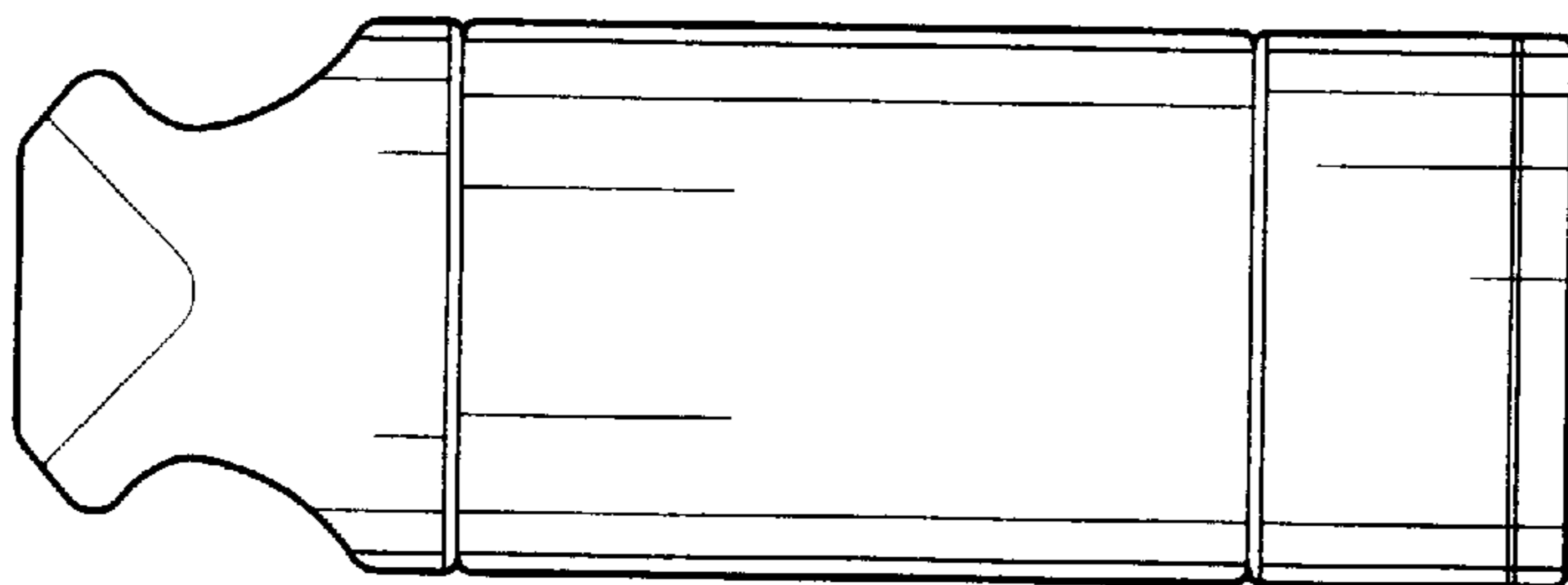


Fig-6