



US00D419223S

United States Patent [19] Meda

[11] **Patent Number: Des. 419,223**
[45] **Date of Patent: ** Jan. 18, 2000**

[54] **FAUCET SPOUT**

[75] **Inventor: Alberto Meda, Milan, Italy**

[73] **Assignee: American Standard Inc., Piscataway, N.J.**

[**] **Term: 14 Years**

[21] **Appl. No.: 29/102,401**

[22] **Filed: Mar. 24, 1999**

[30] Foreign Application Priority Data

Sep. 25, 1998 [IT] Italy RE98O00014

[51] **LOC (7) Cl. 23-01**

[52] **U.S. Cl. D23/255**

[58] **Field of Search D23/238-243,
D23/250-257; 4/675-678; 137/801**

[56] References Cited

U.S. PATENT DOCUMENTS

D. 356,631 3/1995 Kolada D23/255

D. 377,517 1/1997 Doughty et al. D23/255
D. 379,849 6/1997 Hill et al. D23/255
D. 381,396 7/1997 Paterson et al. D23/238
D. 405,512 2/1999 Delker D23/255
D. 406,880 3/1999 Doughty et al. D23/255
D. 412,027 7/1999 Lord D23/255

Primary Examiner—Eric Watterson

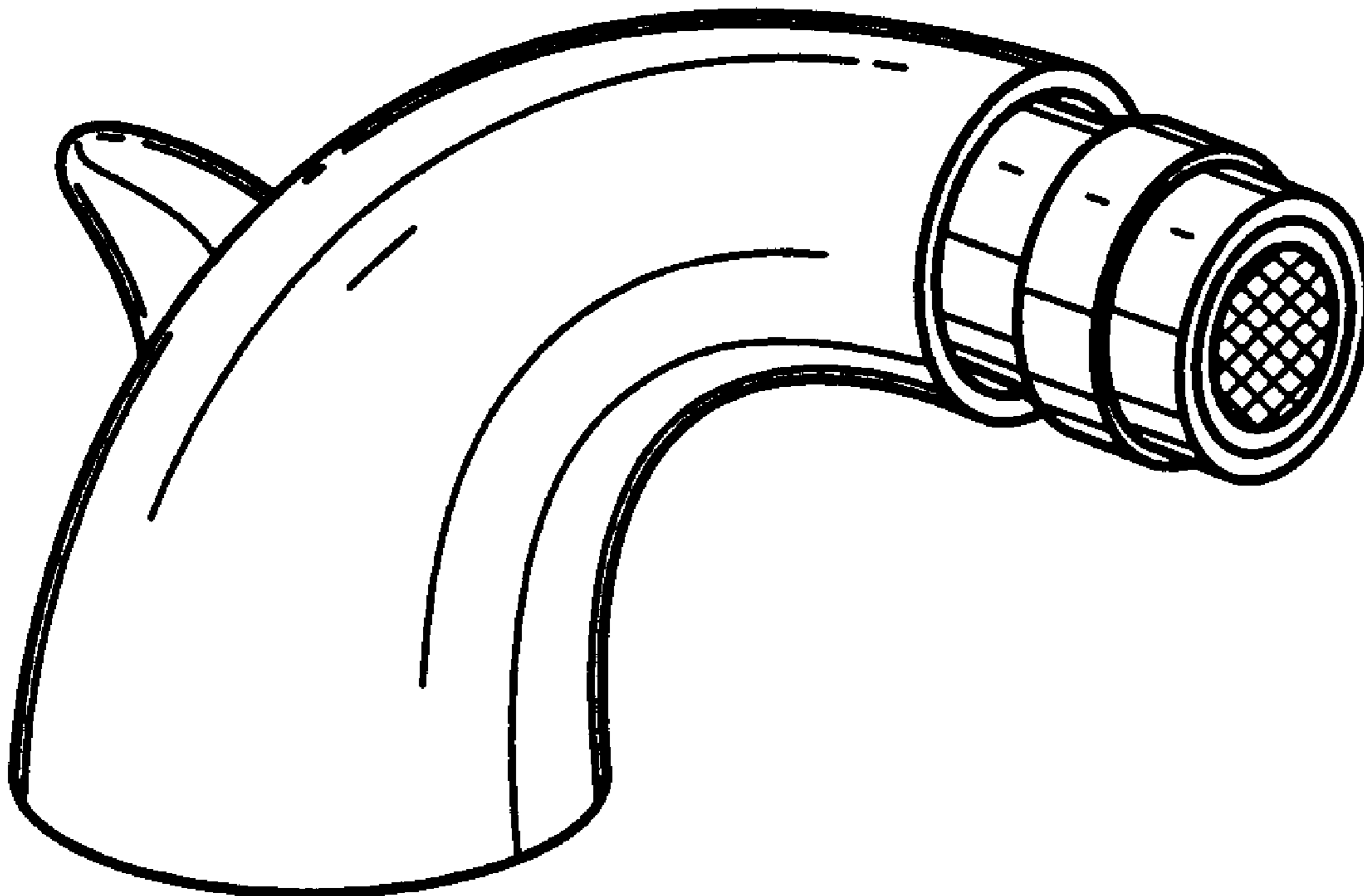
[57] CLAIM

The ornamental design for a faucet spout, as shown and described.

DESCRIPTION

FIG. 1 is a front, top and right side perspective view of a faucet spout showing my new design;
FIG. 2 is a front elevational view thereof;
FIG. 3 is a back elevational view thereof;
FIG. 4 is a left side elevational view, the right side being a mirror image thereof; and,
FIG. 5 is a top plan view thereof;

1 Claim, 3 Drawing Sheets



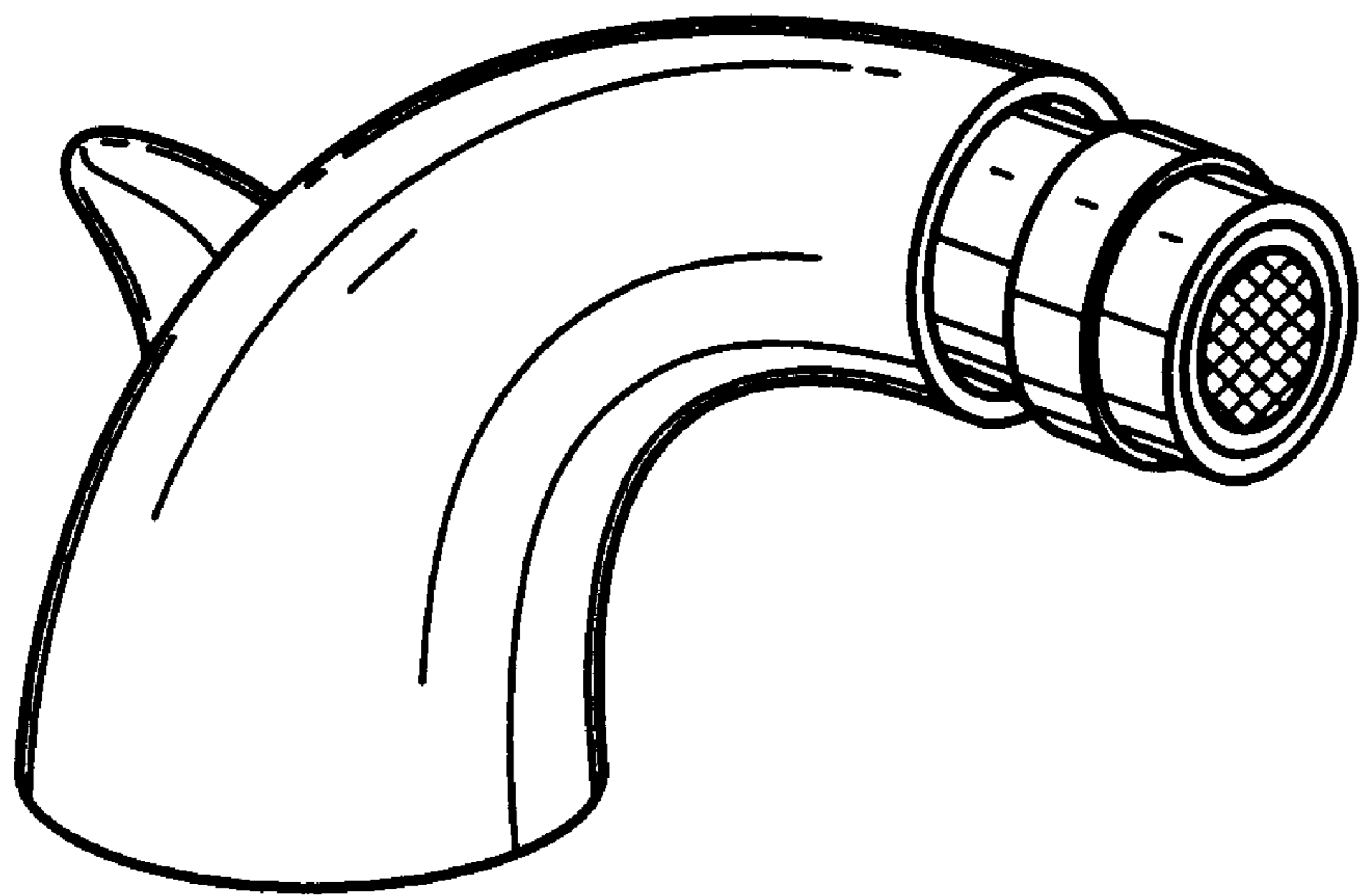


FIG. 1

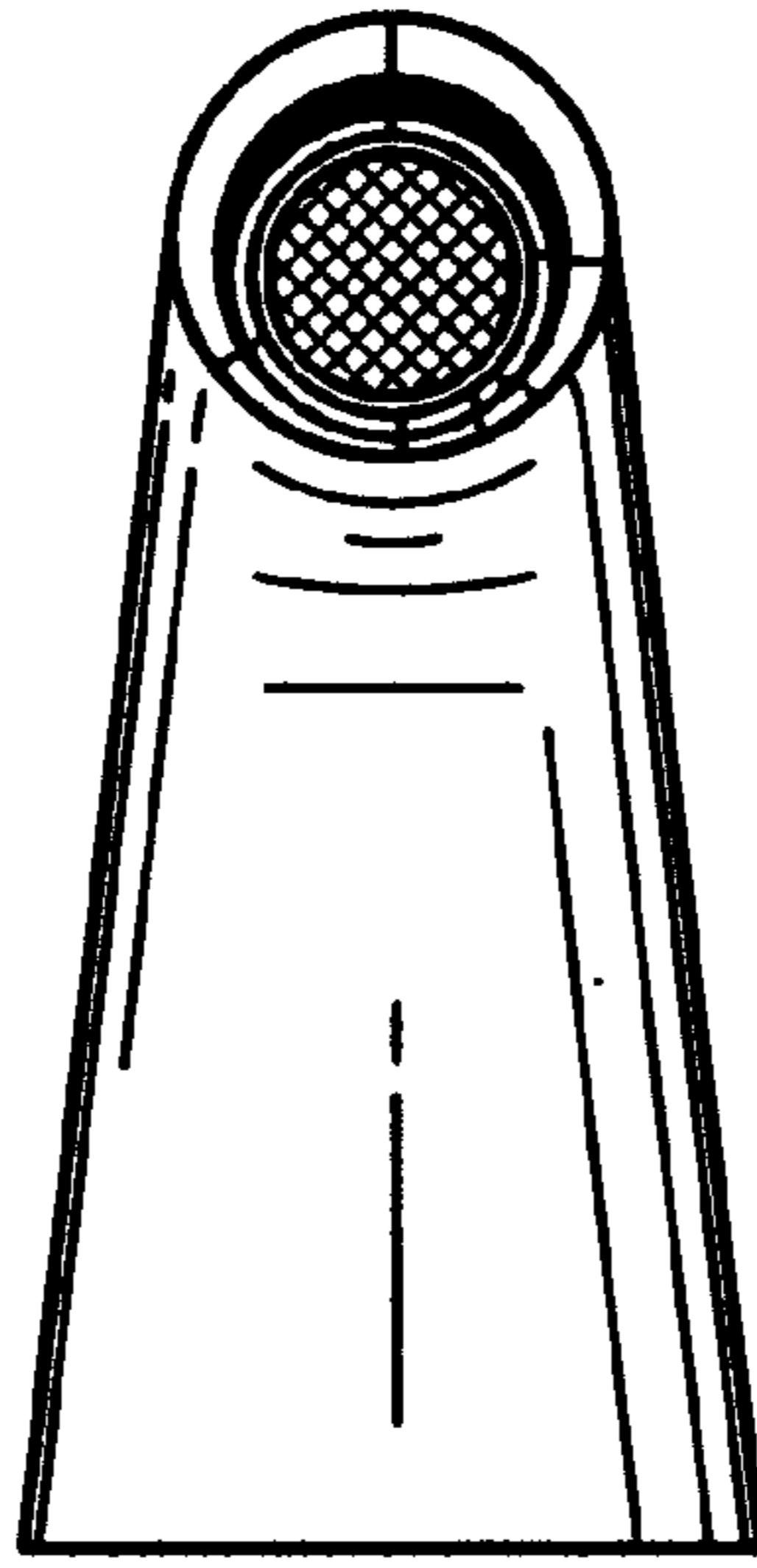


FIG. 2

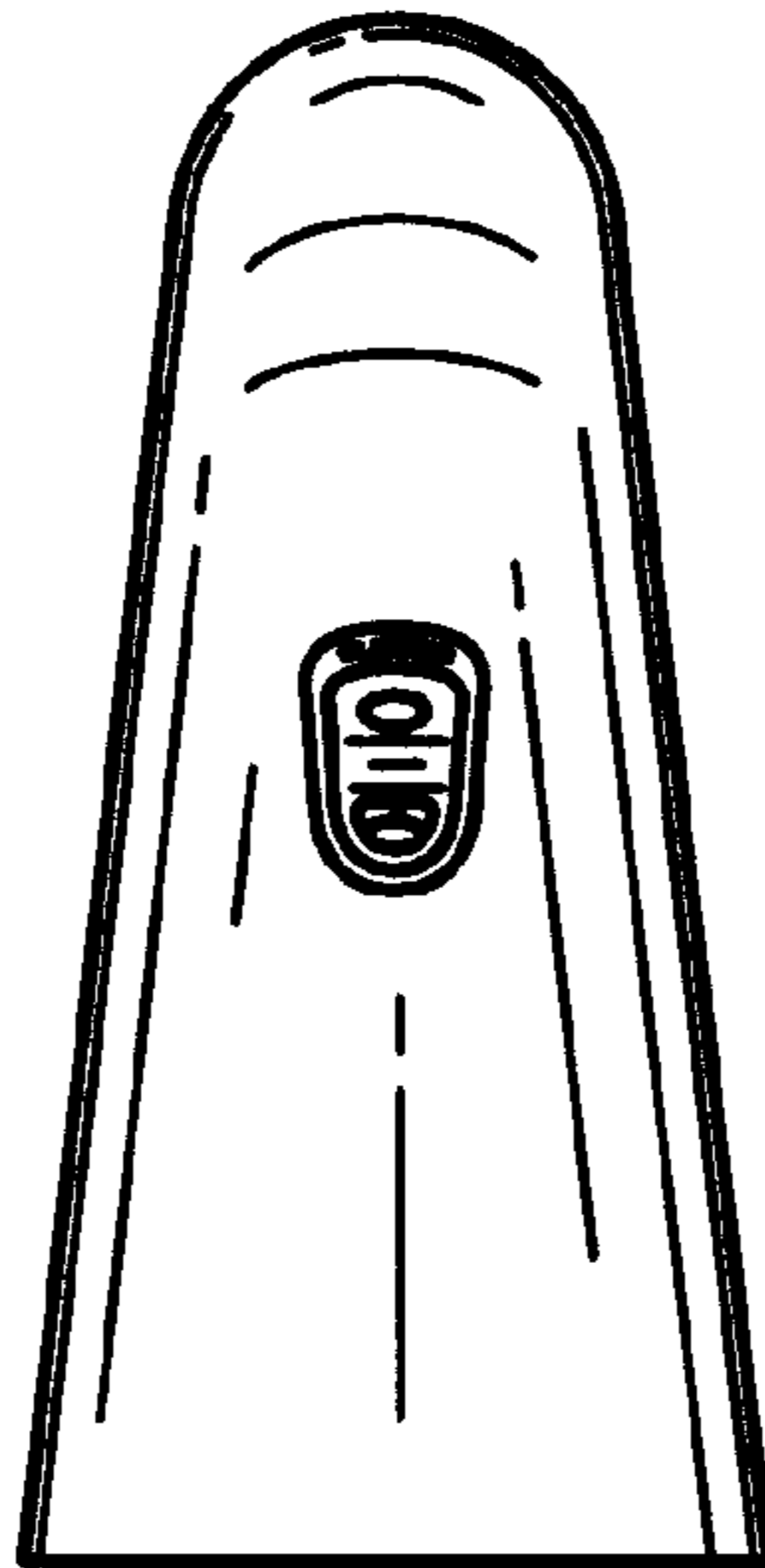


FIG. 3

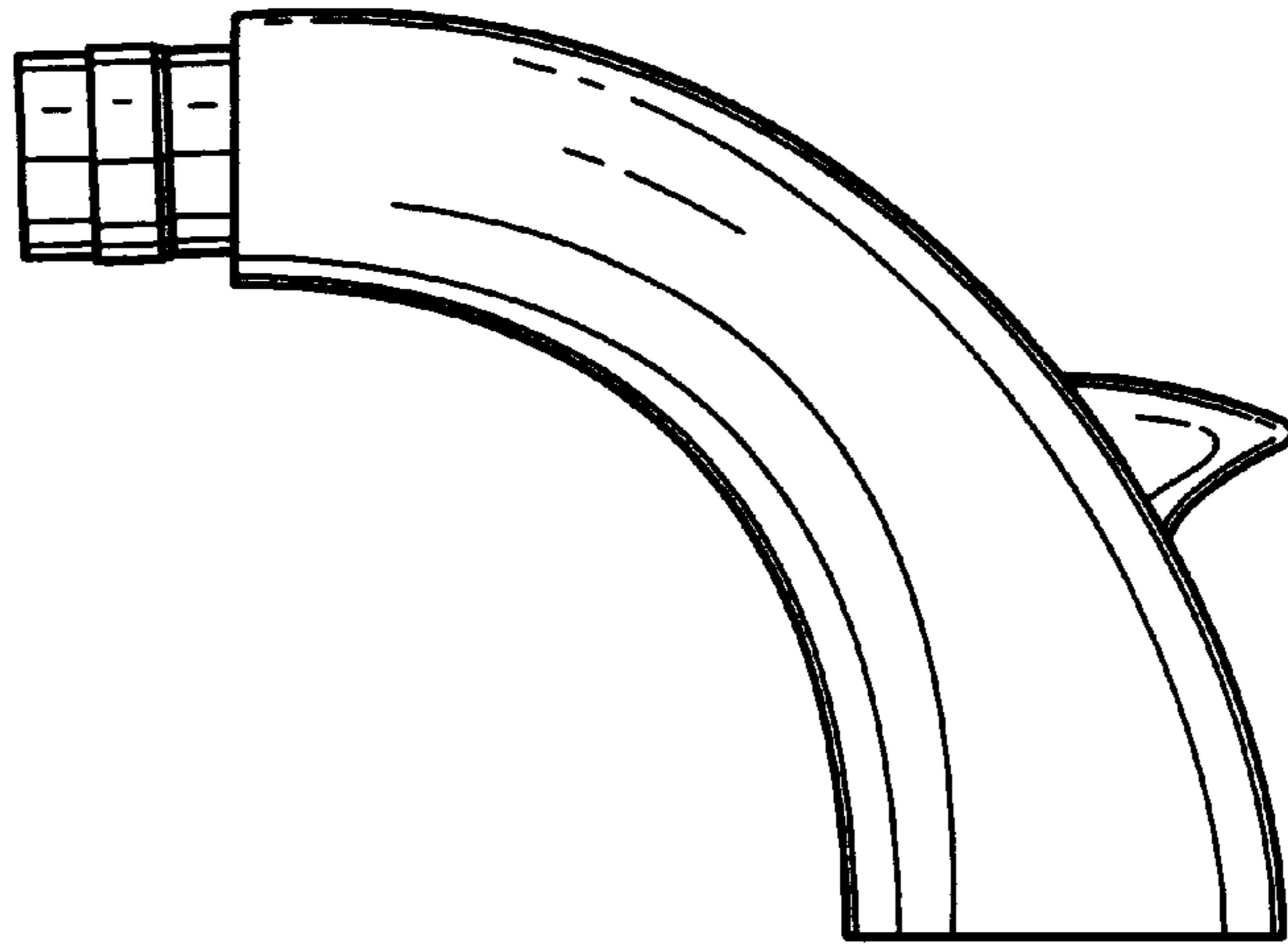


FIG. 4

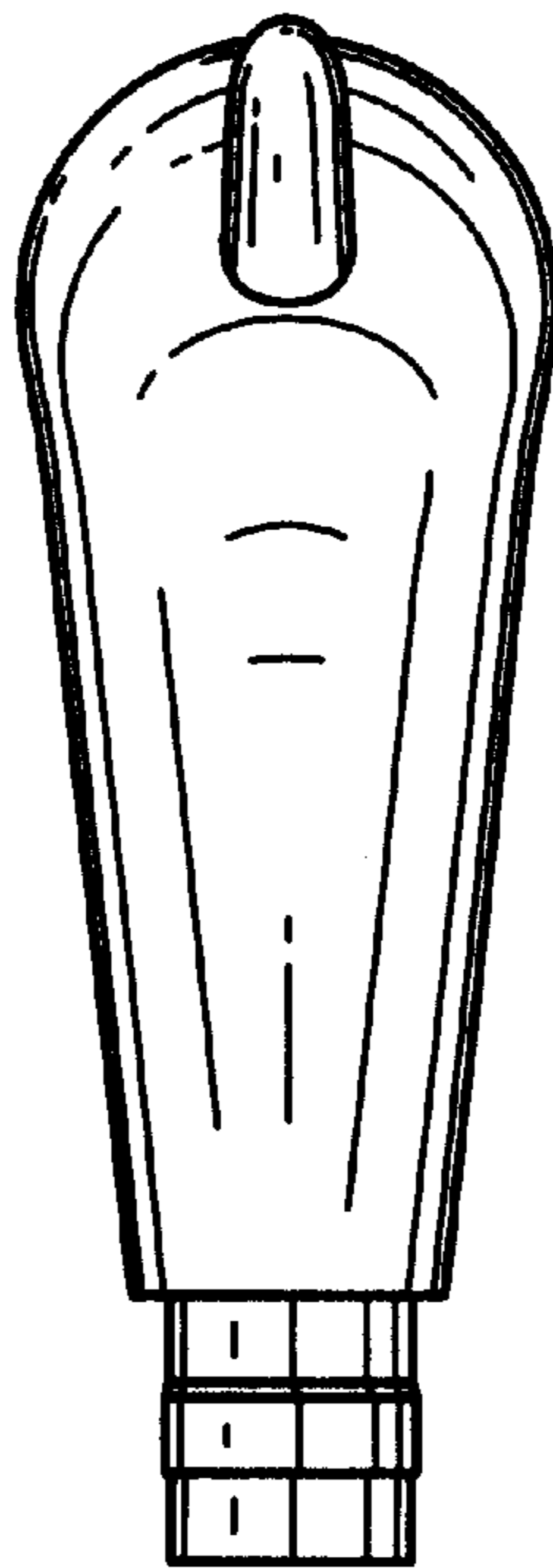


FIG. 5