



US00D419221S

**United States Patent** [19]  
**Lobermeier**

[11] **Patent Number: Des. 419,221**  
[45] **Date of Patent: \*\* \*Jan. 18, 2000**

[54] **WALL-MOUNT HANDLE ASSEMBLY FOR A MIXING VALVE**

[75] Inventor: **Hans Lobermeier**, Menden, Germany

[73] Assignee: **Friedrich Grohe AG**, Hemer, Germany

[\*] Notice: This patent is subject to a terminal disclaimer.

[\*\*] Term: **14 Years**

[21] Appl. No.: **29/093,814**

[22] Filed: **Sep. 18, 1998**

[30] **Foreign Application Priority Data**

Apr. 16, 1998 [DE] Germany ..... 98 03 680

[51] **LOC (7) Cl.** ..... **23-01**

[52] **U.S. Cl.** ..... **D23/254**

[58] **Field of Search** ..... D23/238-243,  
D23/250-257; D8/300-310; 4/675-678;  
137/801

[56] **References Cited**

**U.S. PATENT DOCUMENTS**

D. 332,826 1/1993 Rosenbaum ..... D23/254

D. 355,021 1/1995 Schott et al. .... D23/254  
D. 356,362 3/1995 Bourgeois et al. .... D23/249  
D. 400,651 11/1998 Hundley et al. .... D23/254  
D. 430,750 1/1999 Fabian ..... D23/254

*Primary Examiner*—Eric Watterson  
*Attorney, Agent, or Firm*—Herbert Dubno

[57] **CLAIM**

The ornamental design for a wall-mount handle assembly for a mixing valve, as shown and described.

**DESCRIPTION**

FIG. 1 is a top, front, left-side elevational view of a wall-mount handle assembly for a mixing valve showing my new design;

FIG. 2 is a left side elevational view thereof, the right side elevational view being mirror symmetrical thereto;

FIG. 3 is a front view thereof;

FIG. 4 is a bottom view thereof;

FIG. 5 is a top view thereof; and,

FIG. 6 is a rear view thereof.

**1 Claim, 3 Drawing Sheets**

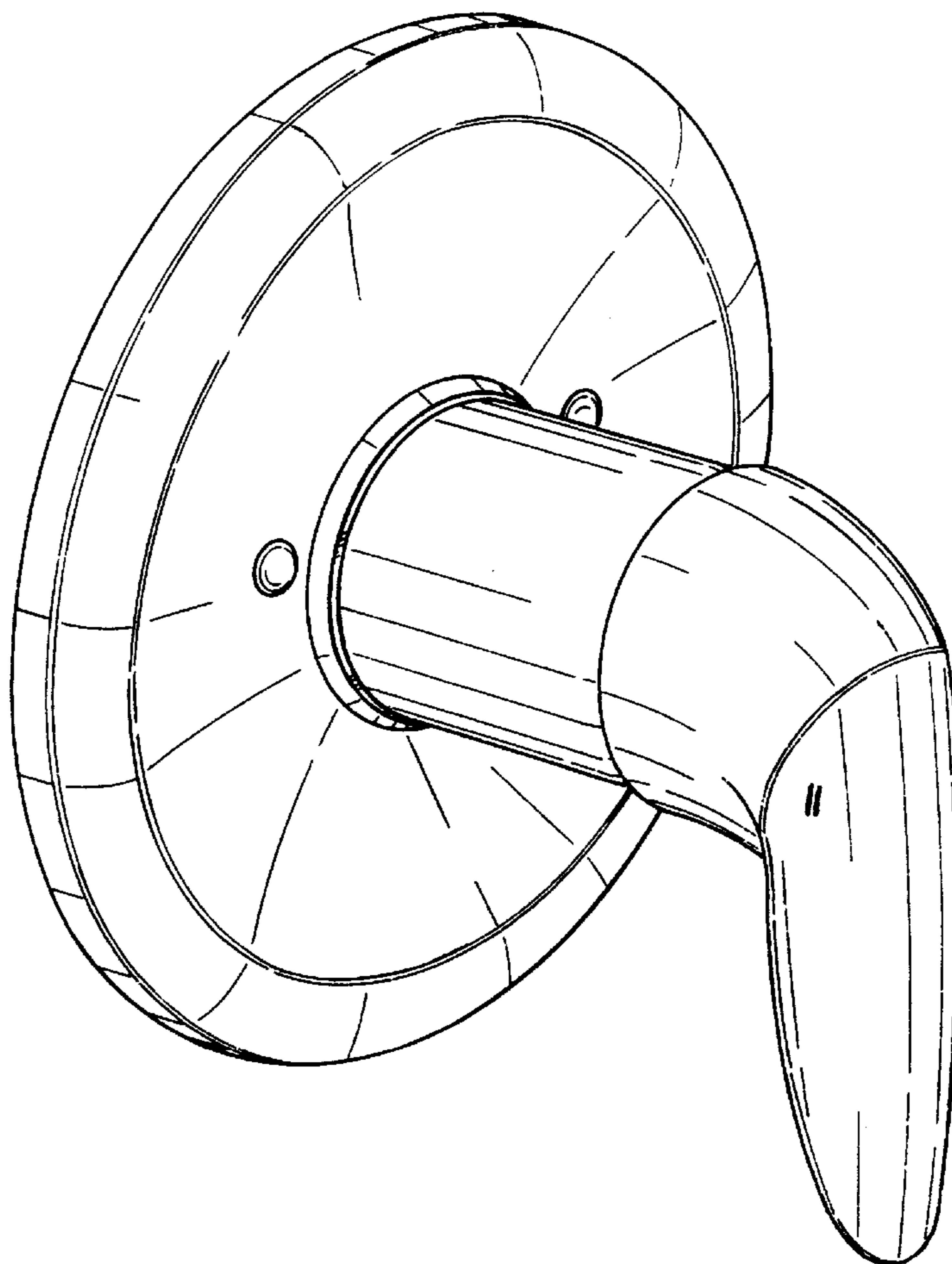


FIG. 1

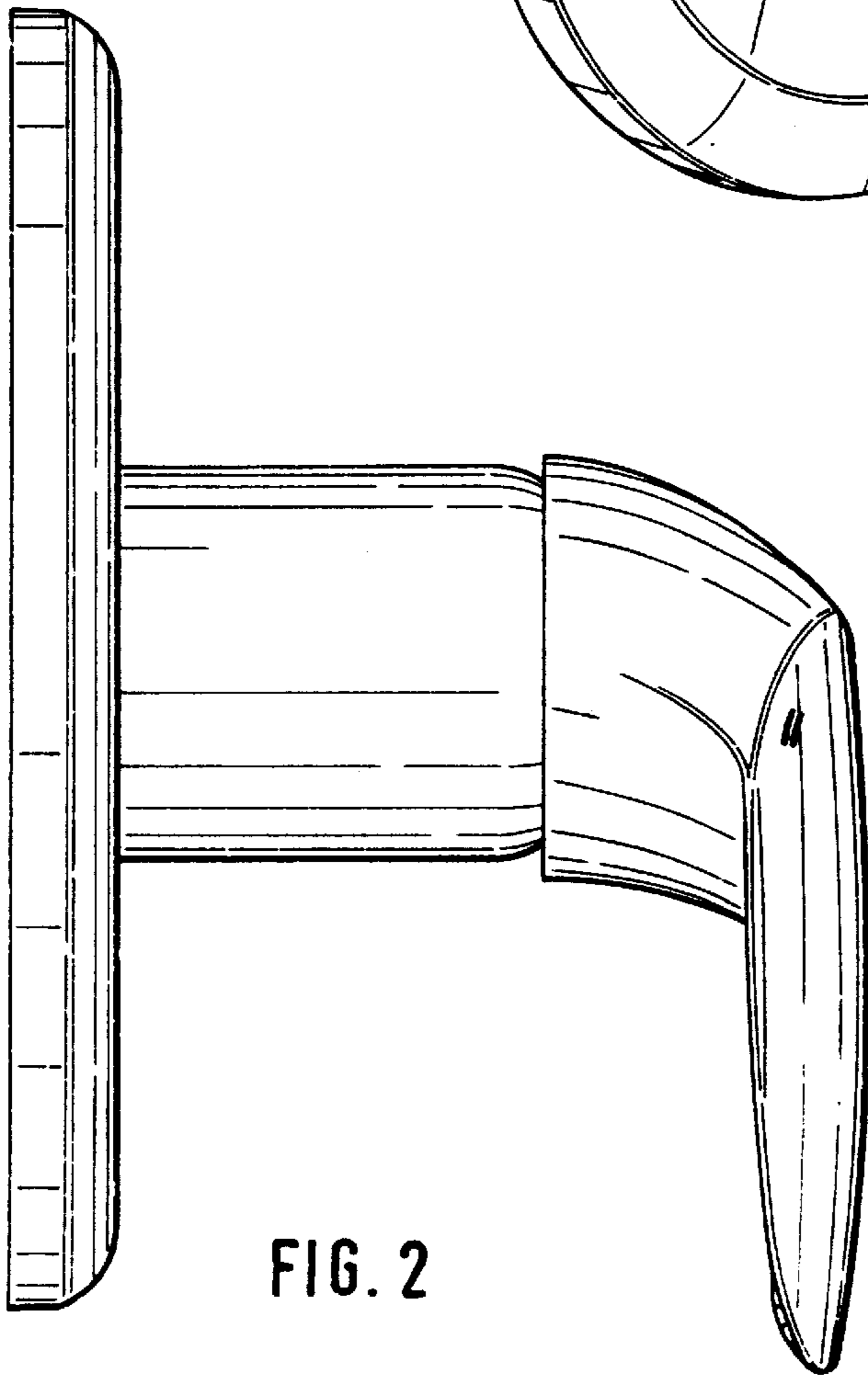
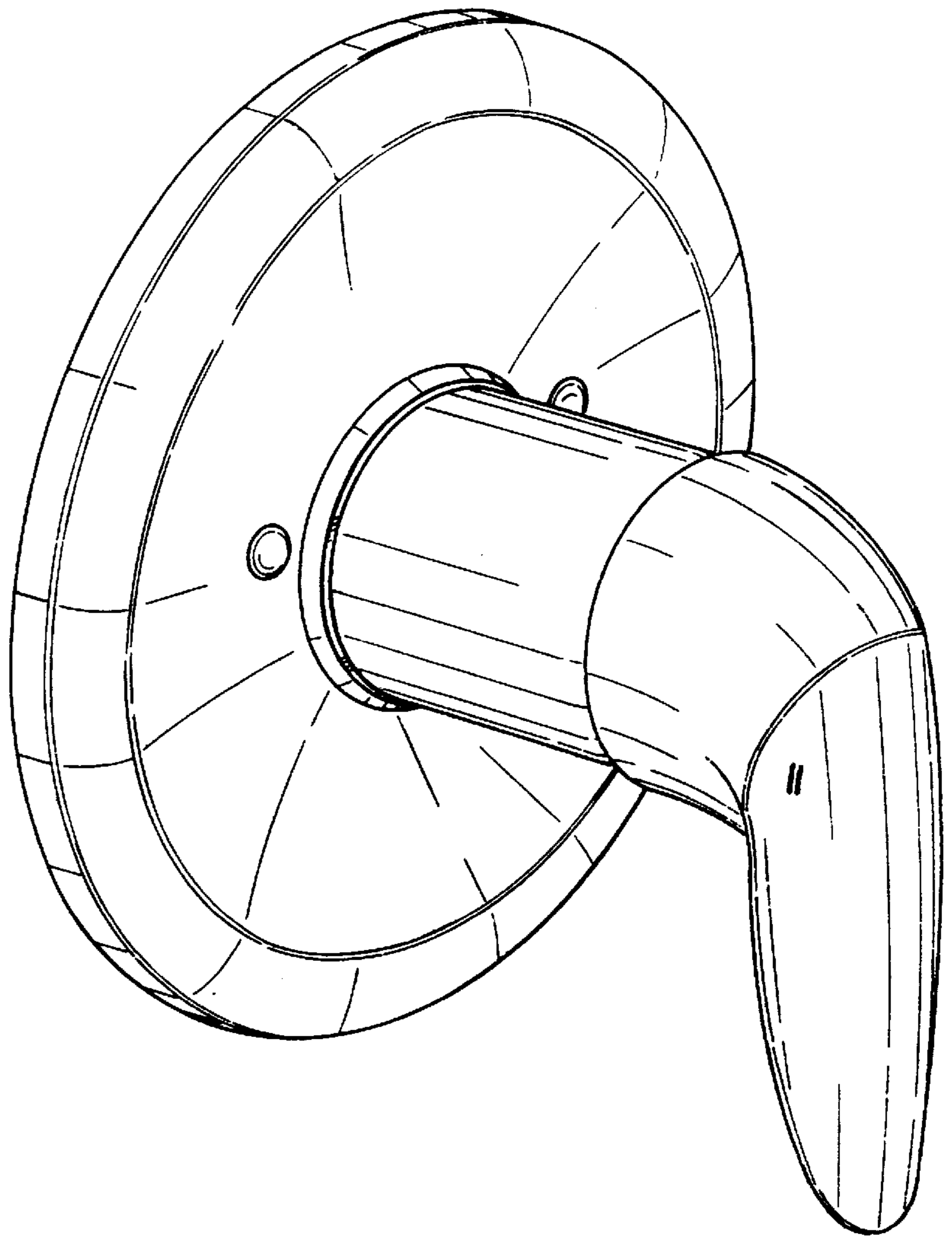


FIG. 2

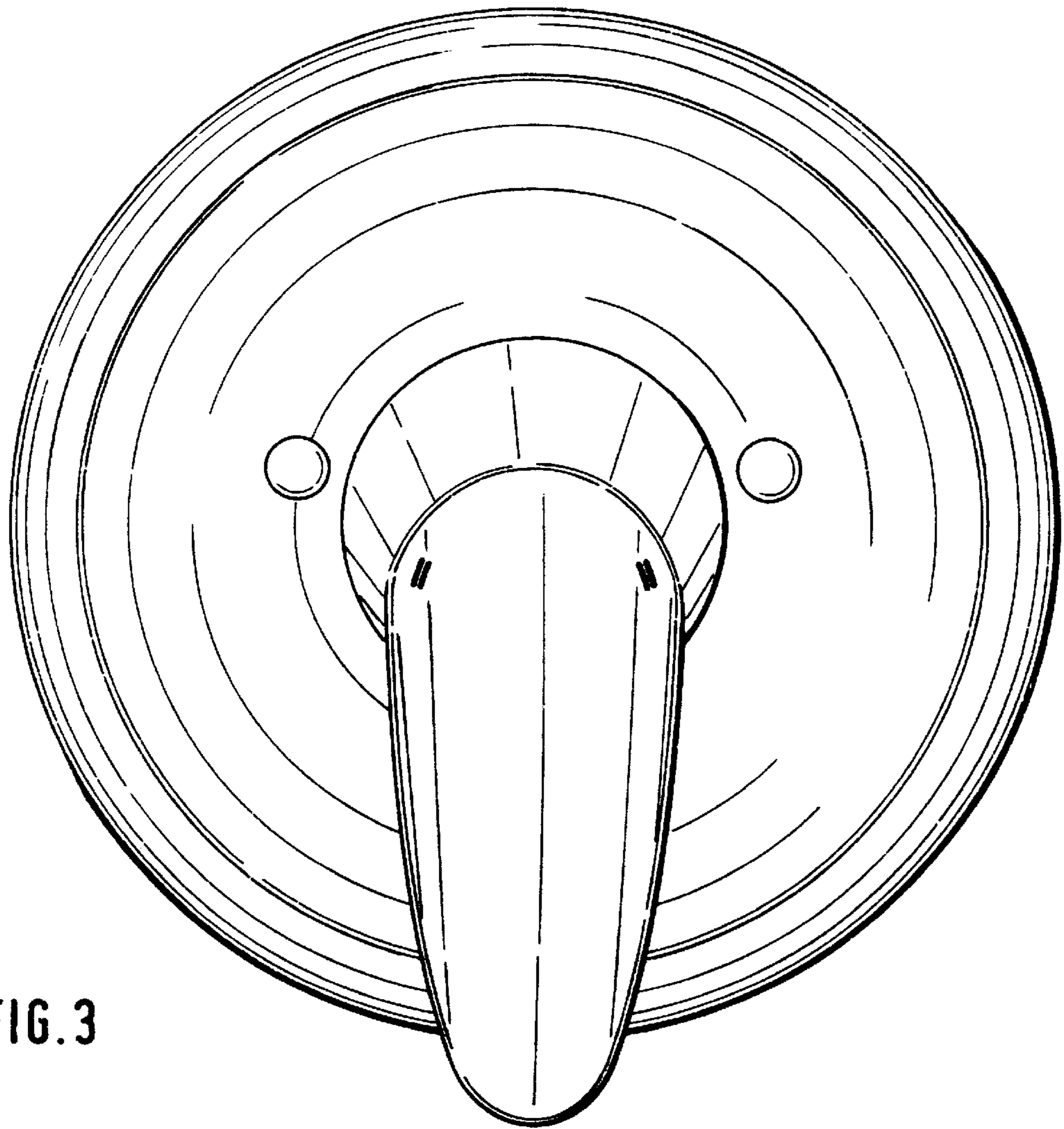


FIG. 3

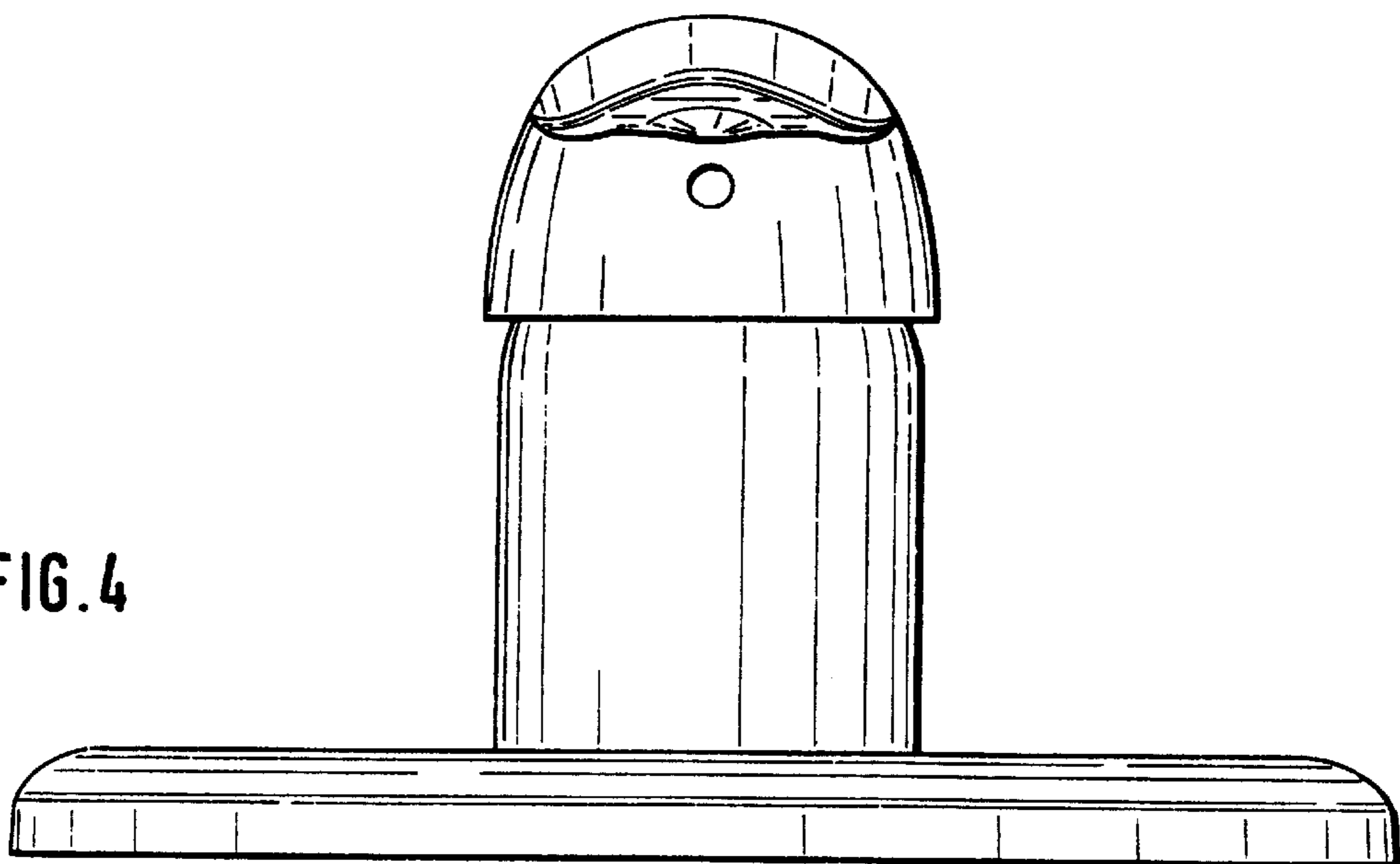


FIG. 4

