



US00D419217S

United States Patent [19]

Lee

[11] **Patent Number: Des. 419,217**

[45] **Date of Patent: ** Jan. 18, 2000**

[54] **CHECK VALVE**

D. 260,280 8/1981 Campbell D23/237
2,339,101 1/1944 Parker 137/515.5

[76] Inventor: **Kuo-Jium Lee**, 10F, No. 69, Kang Ding Road, Taipei, Taiwan

Primary Examiner—Robin V. Taylor
Attorney, Agent, or Firm—Rosenberg, Klein & Lee

[**] Term: **14 Years**

[57] CLAIM

[21] Appl. No.: **29/095,180**

The ornamental design for check valve, as shown and described.

[22] Filed: **Oct. 19, 1998**

DESCRIPTION

[51] **LOC (7) Cl.** **23-01**

[52] **U.S. Cl.** **D23/237; D23/259**

[58] **Field of Search** D23/233–237,
D23/247–8, 259, 262–3; 137/625, 515.5,
533.11, 514.5

FIG. 1 is a perspective view of check valve showing my new design;

FIG. 2 is a front elevational view thereof;

FIG. 3 is a rear elevational view thereof;

FIG. 4 is a left side elevational view thereof;

FIG. 5 is a right side elevational view thereof;

FIG. 6 is a top side elevational view thereof; and,

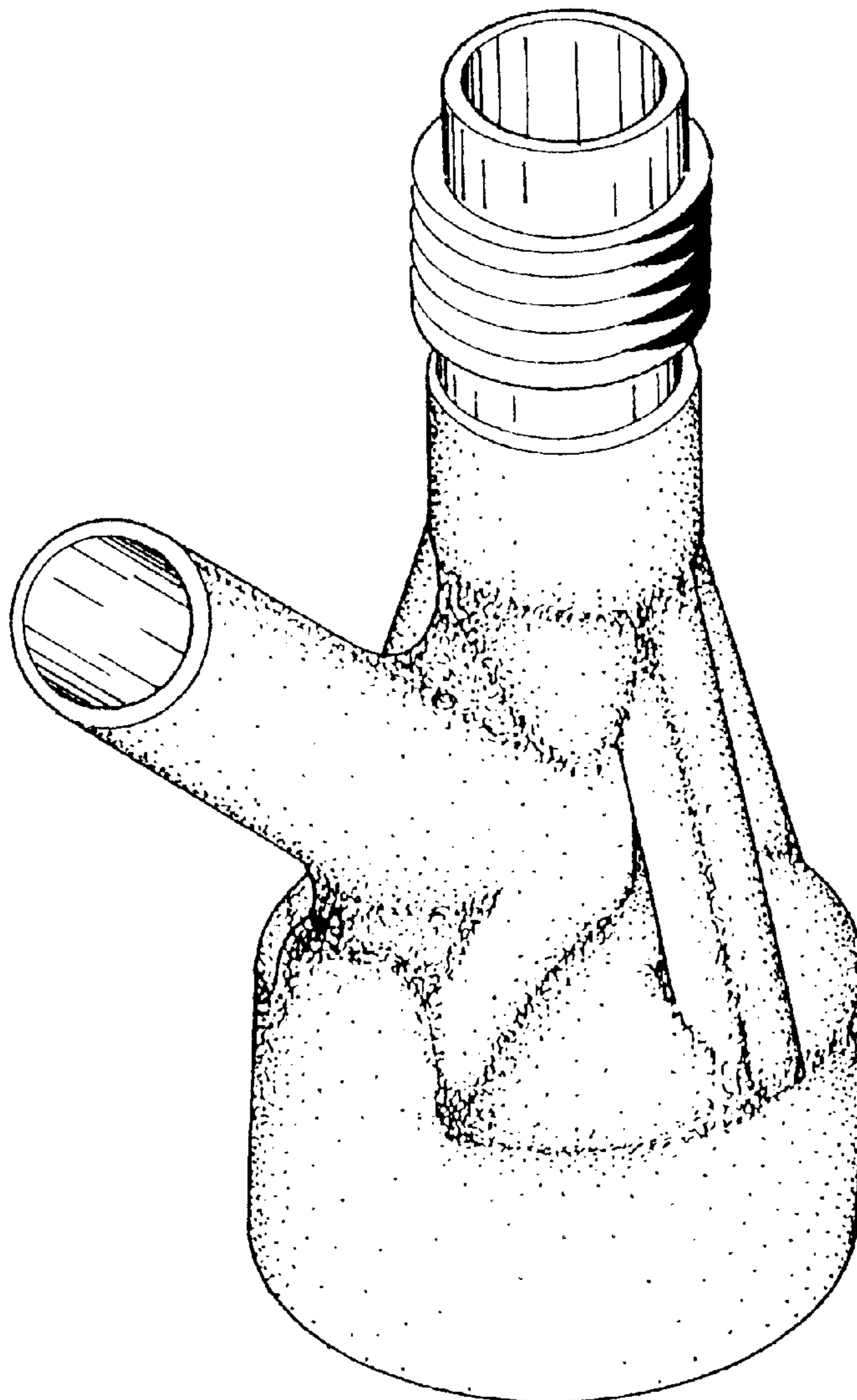
FIG. 7 is a bottom side elevational view thereof.

[56] References Cited

U.S. PATENT DOCUMENTS

D. 27,244 6/1897 Ford D23/237
D. 242,797 12/1976 Johnson D23/237
D. 245,482 8/1977 Flinta et al. D23/263

1 Claim, 3 Drawing Sheets



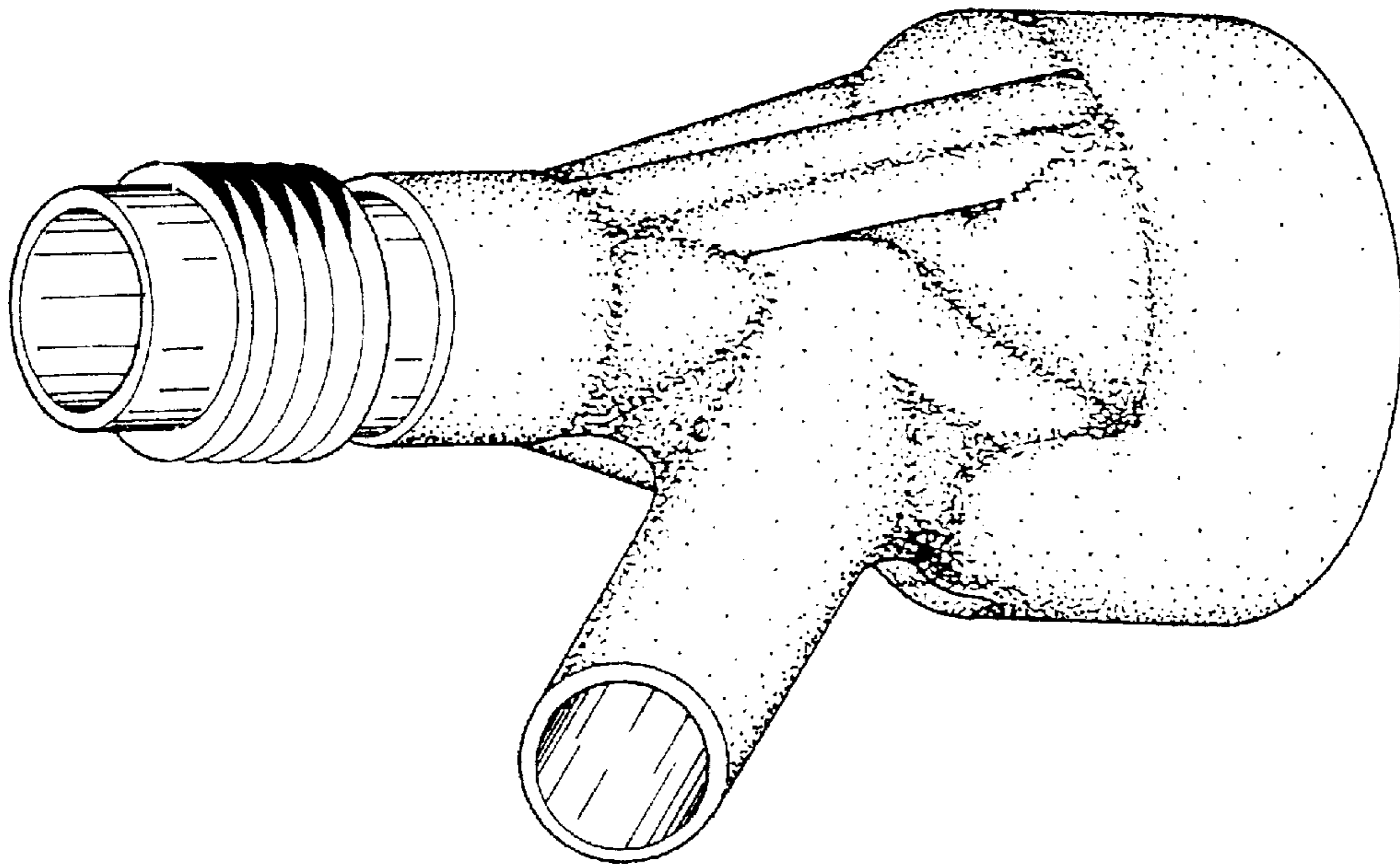


FIG. 1

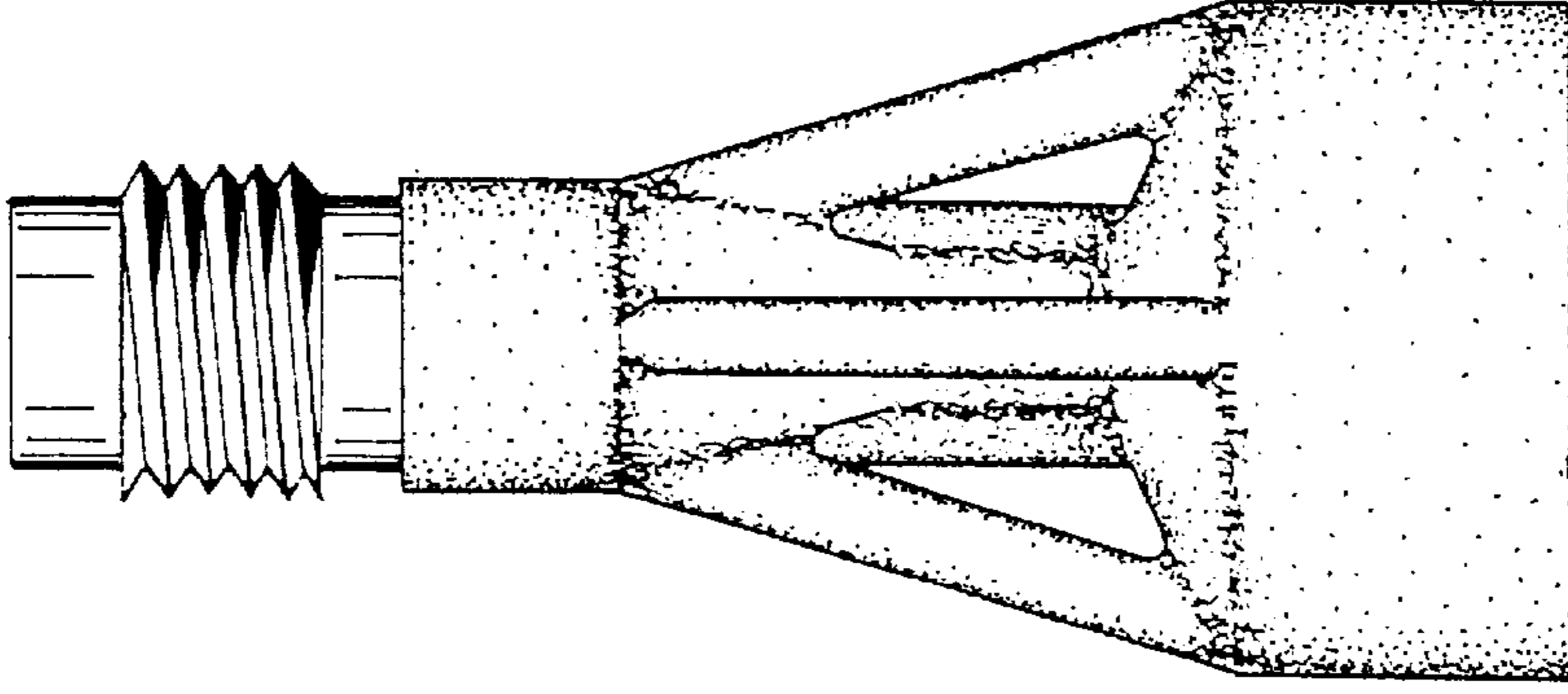


FIG. 5

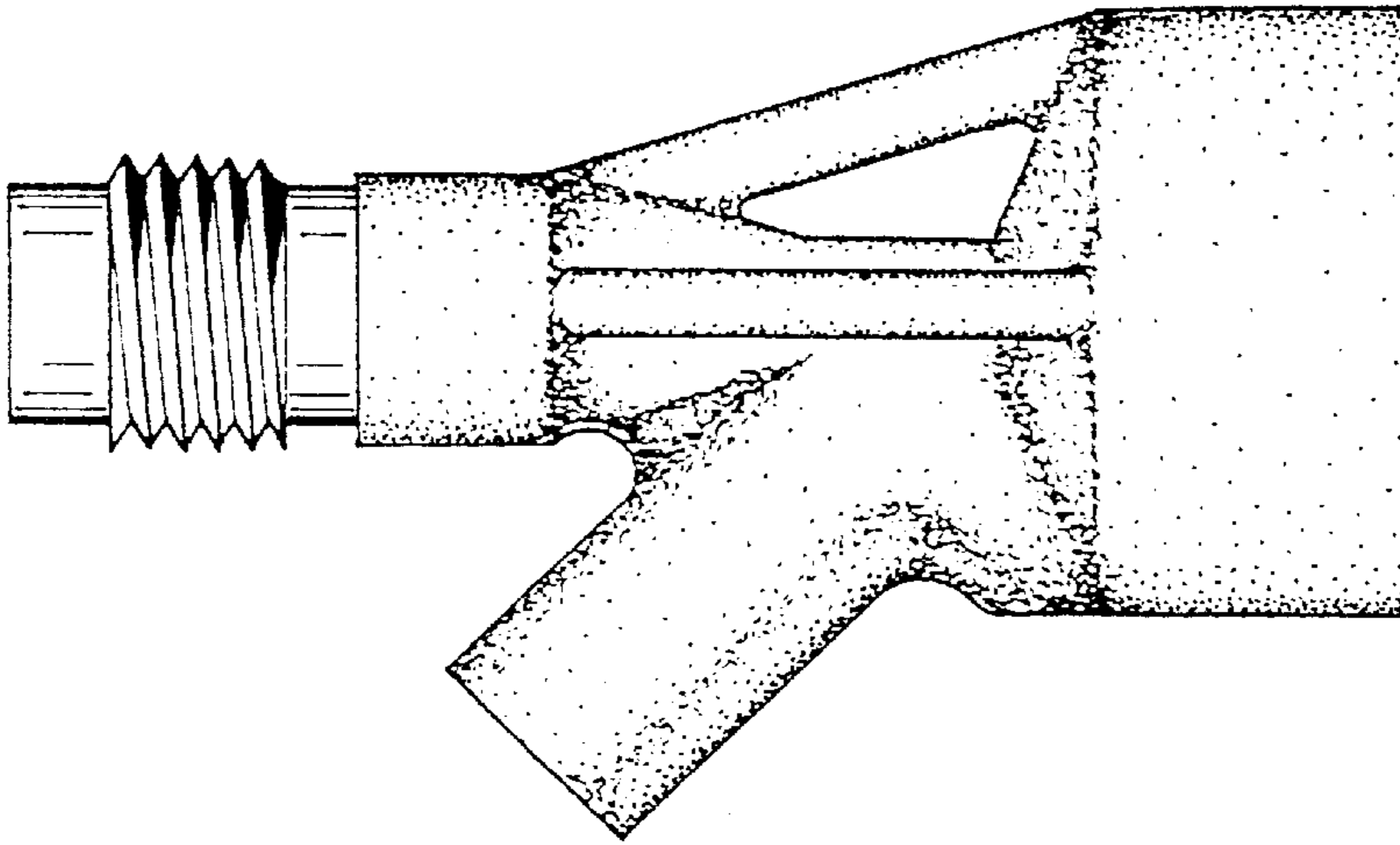


FIG. 2

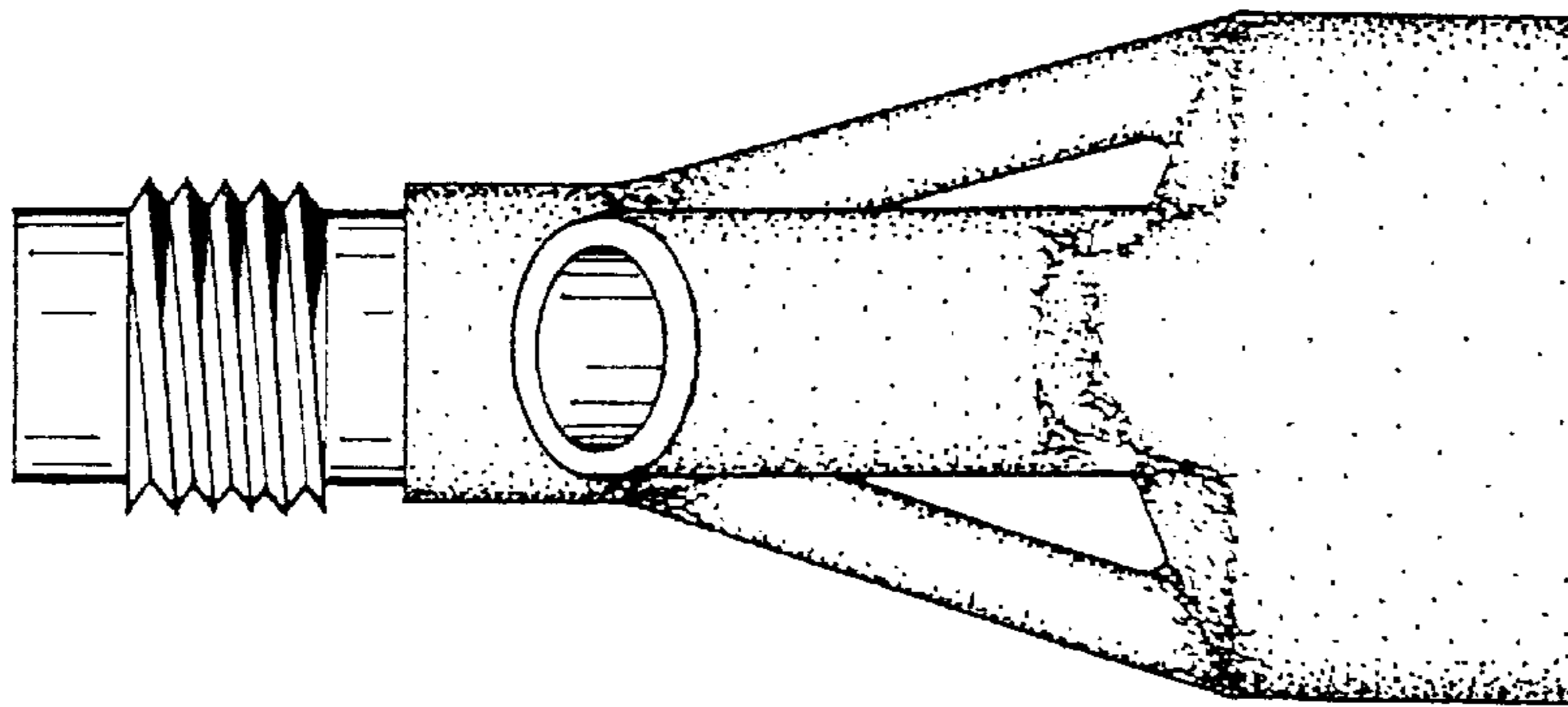


FIG. 4

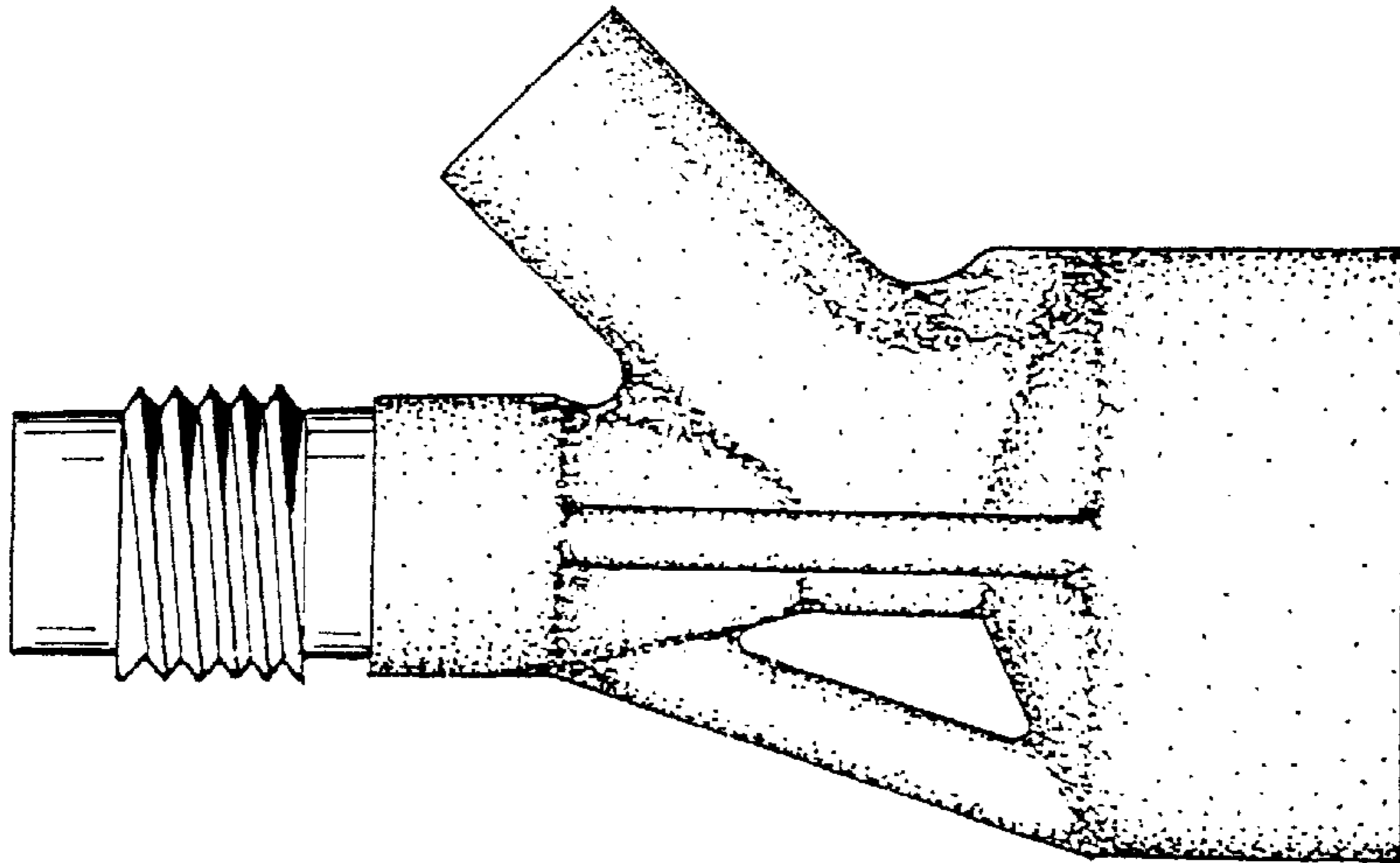


FIG. 3

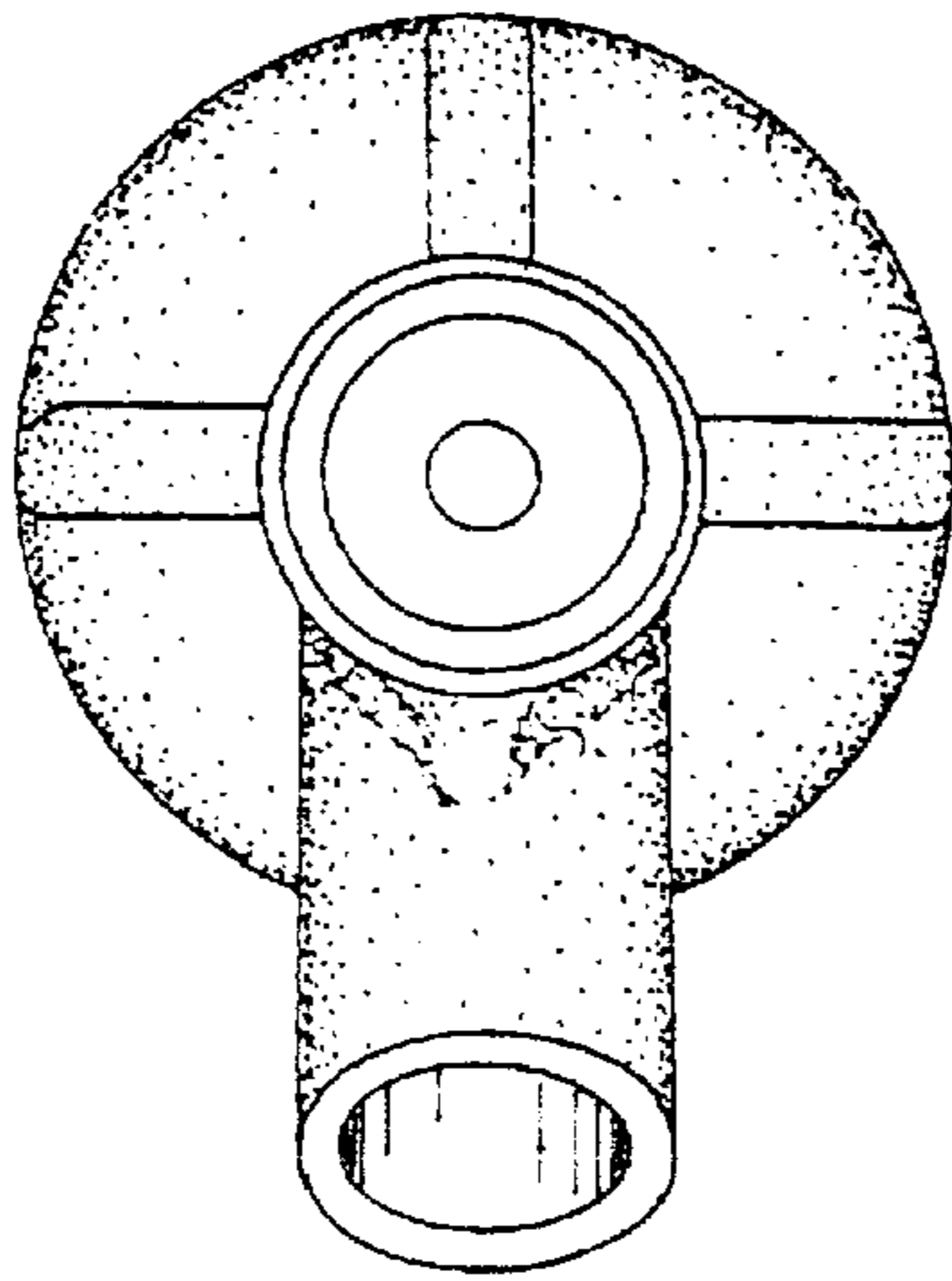


FIG. 6

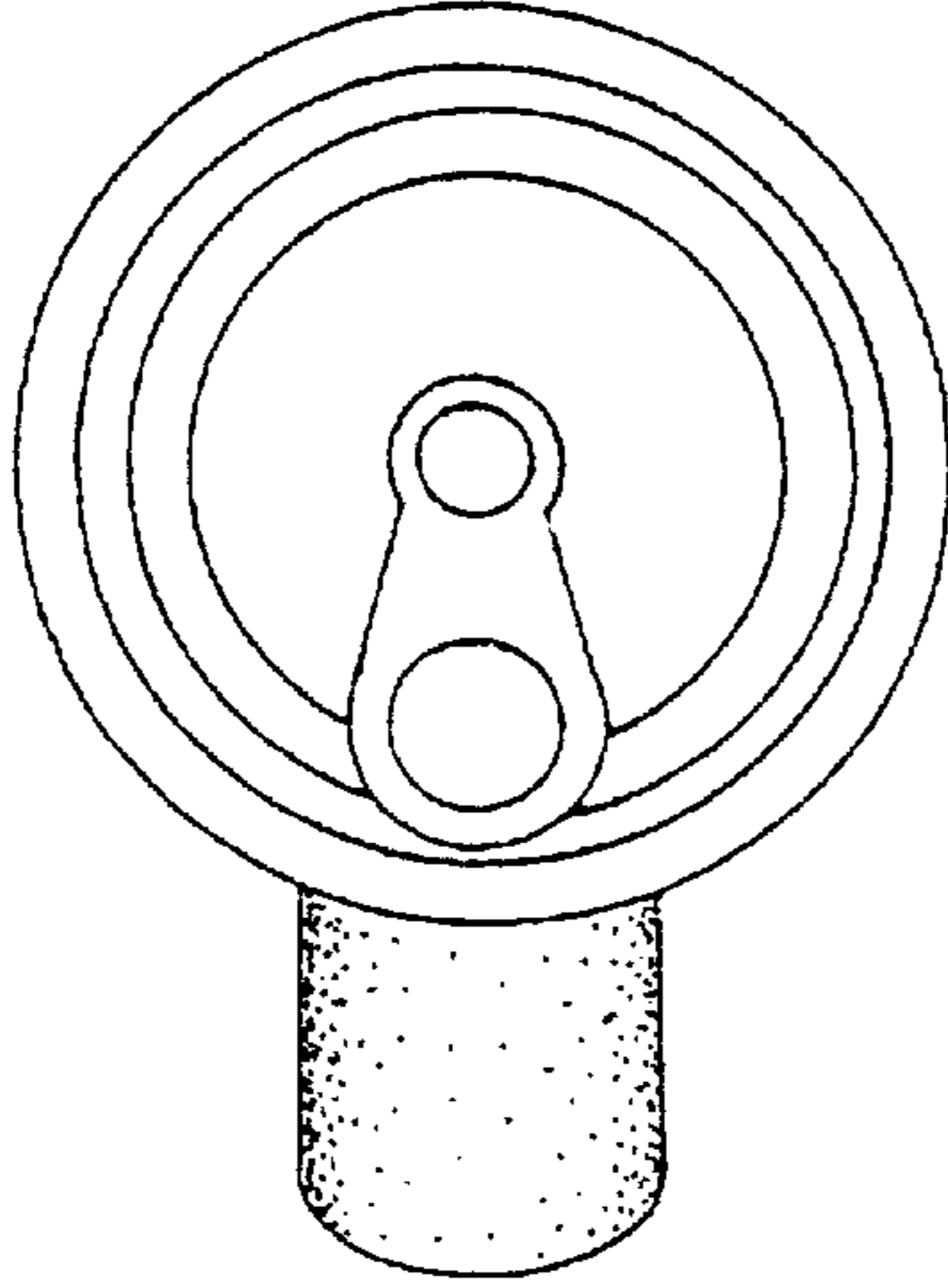


FIG. 7