



US00D419216S

United States Patent [19]

[11] Patent Number: Des. 419,216

Sato et al.

[45] Date of Patent: ** *Jan. 18, 2000

[54] SUPPLY AND EXHAUST BLOCK FOR A MANIFOLD VALVE

OTHER PUBLICATIONS

[75] Inventors: **Hideharu Sato; Takumi Matsumoto**, both of Tsukuba-gun, Japan

The design of the present application was displayed at IFPEX '97 Exhibition—Oct. 21–24, 1997.

[73] Assignee: **SMC Corporation**, Tokyo, Japan

Primary Examiner—Robin V. Taylor
Attorney, Agent, or Firm—Oblon, Spivak, McClelland, Maier & Neustadt, P.C.

[*] Notice: This patent is subject to a terminal disclaimer.

[57] CLAIM

[**] Term: **14 Years**

The ornamental design for supply and exhaust block for a manifold valve, as shown and described.

[21] Appl. No.: **29/094,774**

DESCRIPTION

[22] Filed: **Oct. 9, 1998**

[30] Foreign Application Priority Data

Apr. 13, 1998 [JP] Japan 10-10522

[51] LOC (7) Cl. **23-01**

FIG. 1 is a top, front and left side perspective view of supply and exhaust block for a manifold valve embodying our new design;

[52] U.S. Cl. **D23/233**

FIG. 2 is a bottom, rear and right side perspective view thereof;

[58] Field of Search D23/233–236, D23/245–8; 137/596.13, 596.16, 884, 625.64

FIG. 3 is a front elevational view thereof;

FIG. 4 is a rear elevational view thereof;

FIG. 5 is a top plan view thereof;

FIG. 6 is a bottom plan view thereof;

FIG. 7 is a right side elevational view thereof;

FIG. 8 is a left side elevational view thereof; and,

FIG. 9 is a top, front and left side perspective view thereof shown when in use with a manifold valve which is shown in broken lines and forming no part of the claimed design.

[56] References Cited

U.S. PATENT DOCUMENTS

D. 200,454	2/1965	Everitt	D23/233
5,437,306	8/1995	Asou et al.	137/625.64
5,462,087	10/1995	Fukano et al.	137/884
5,603,355	2/1997	Miyazoe et al.	137/625.64

1 Claim, 3 Drawing Sheets

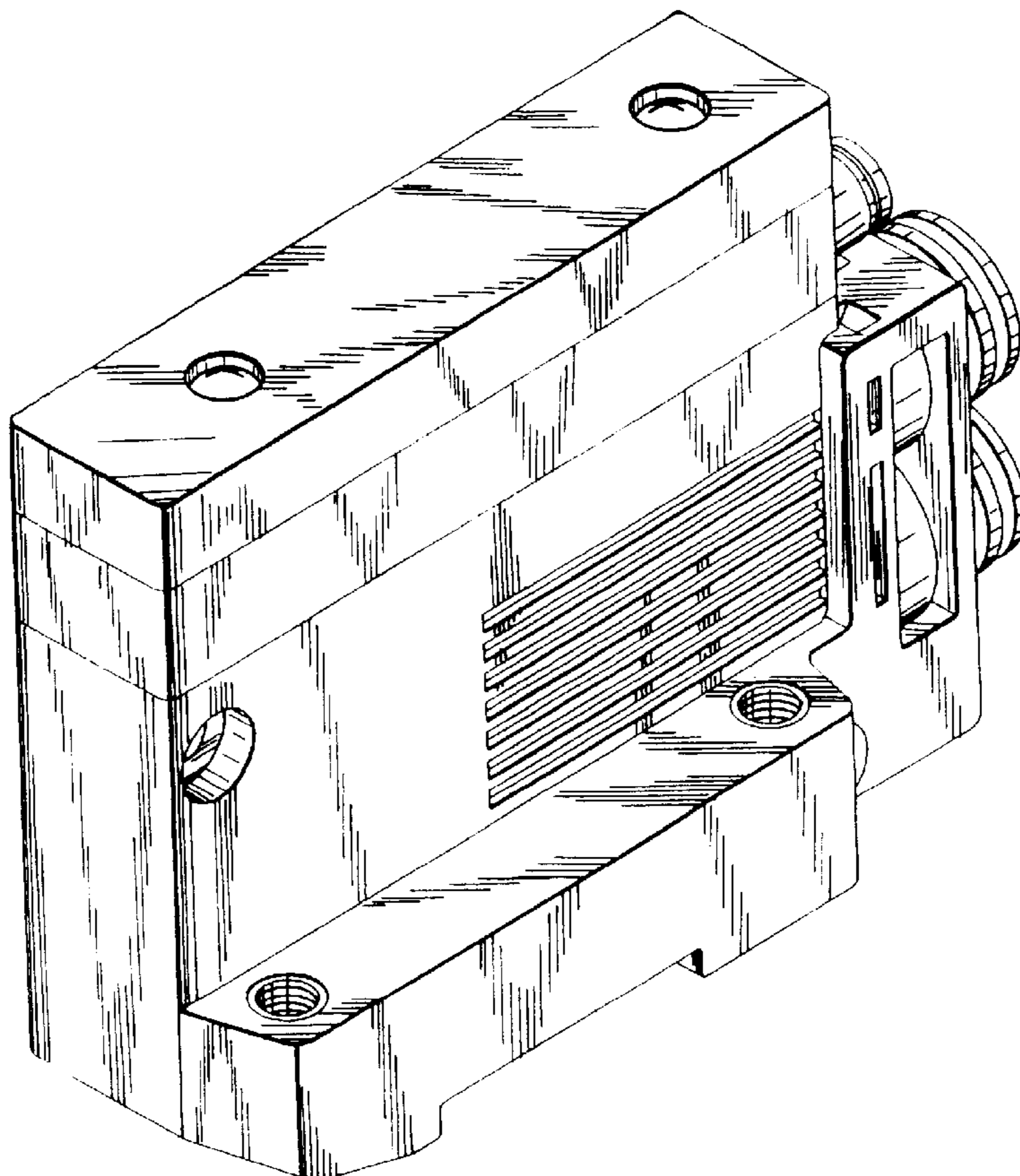


FIG. 2

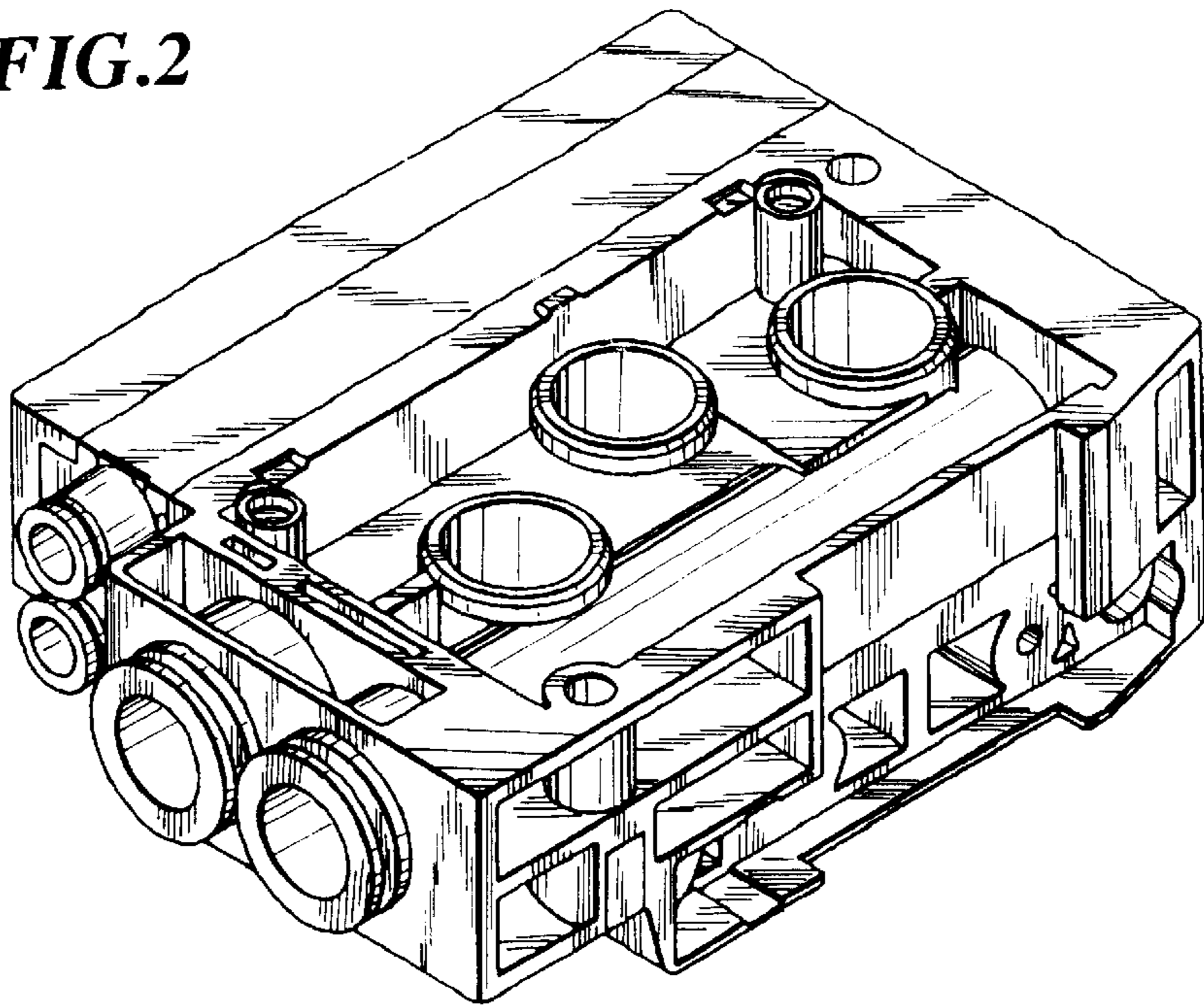
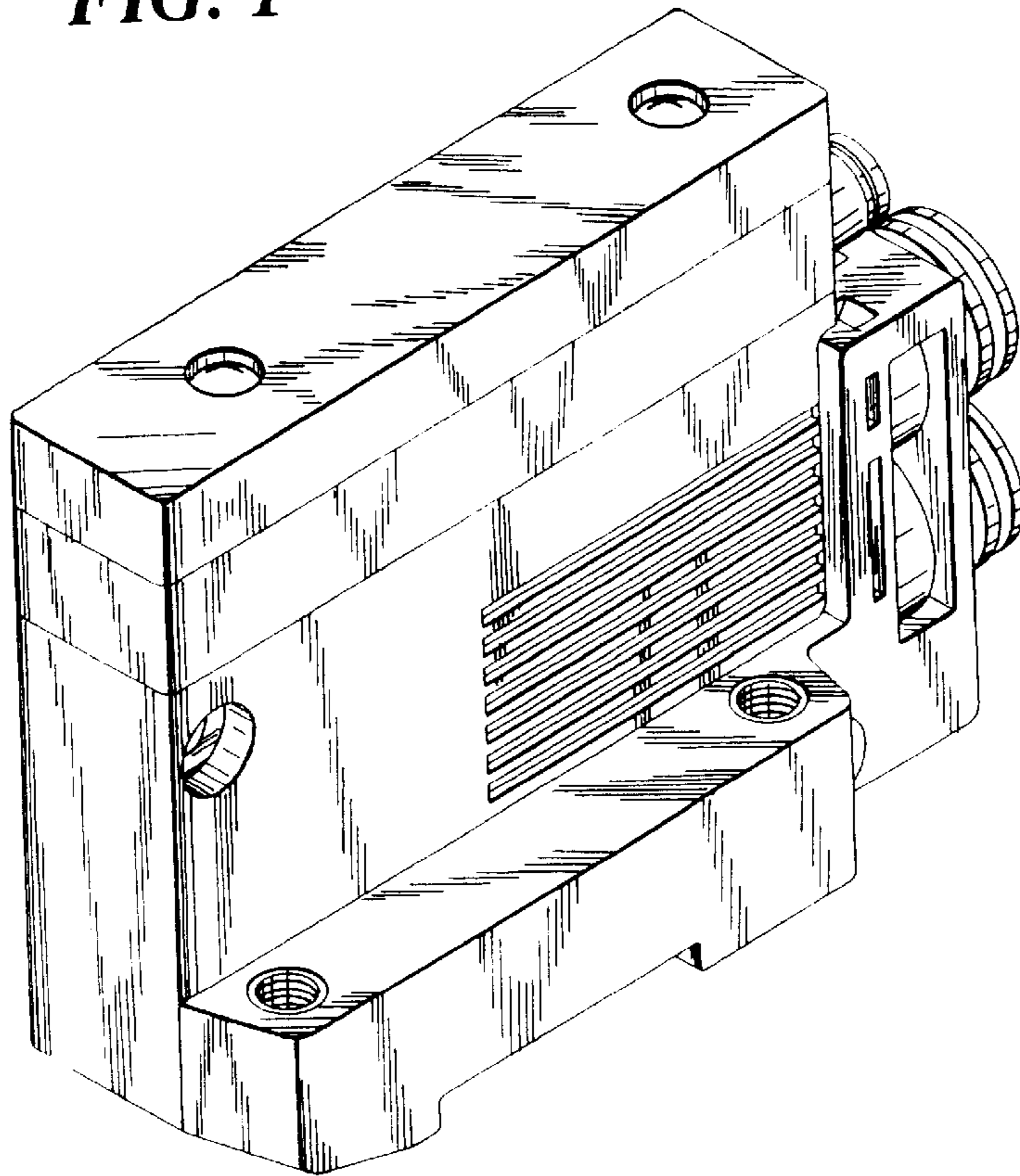


FIG. 1



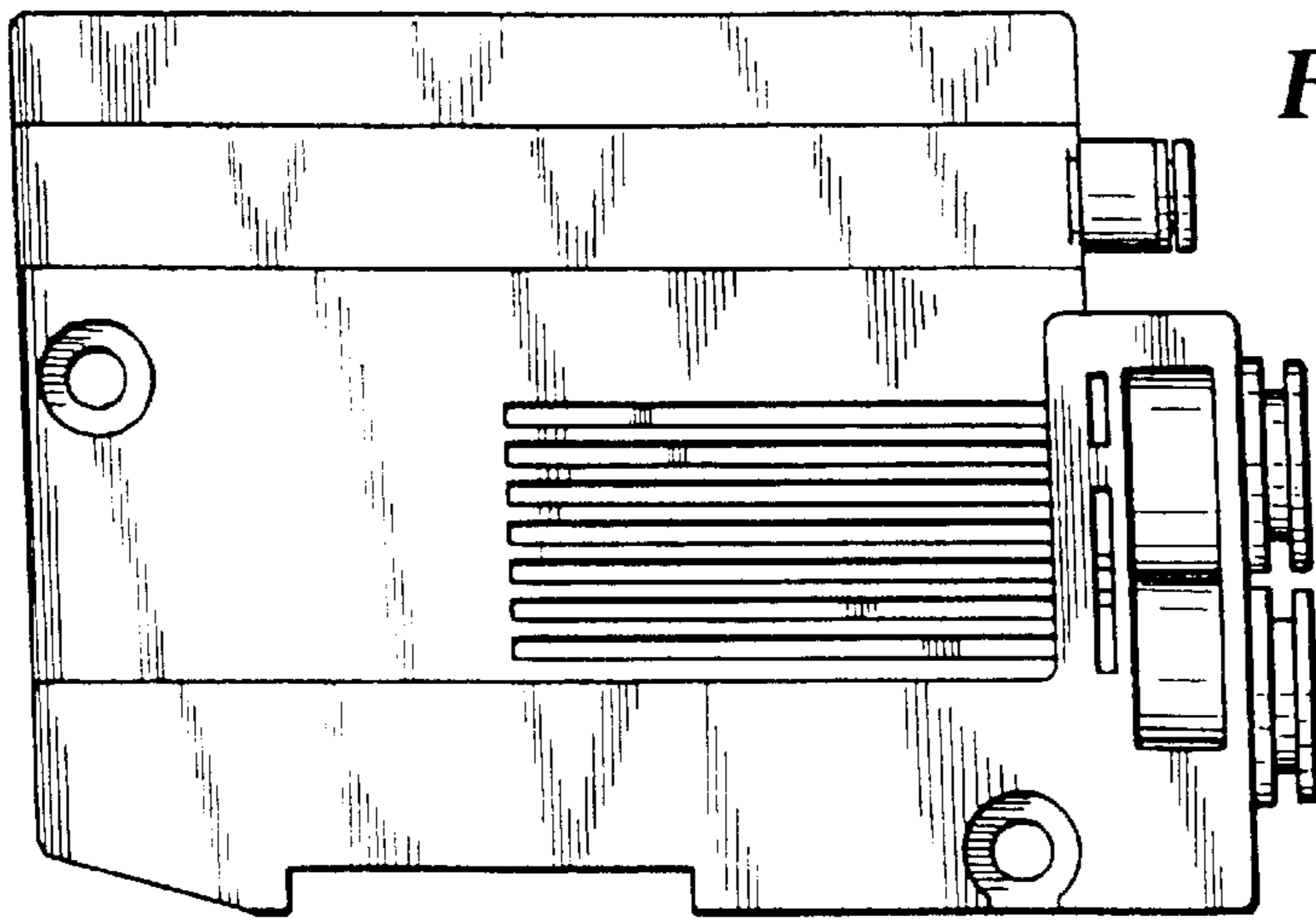


FIG. 3

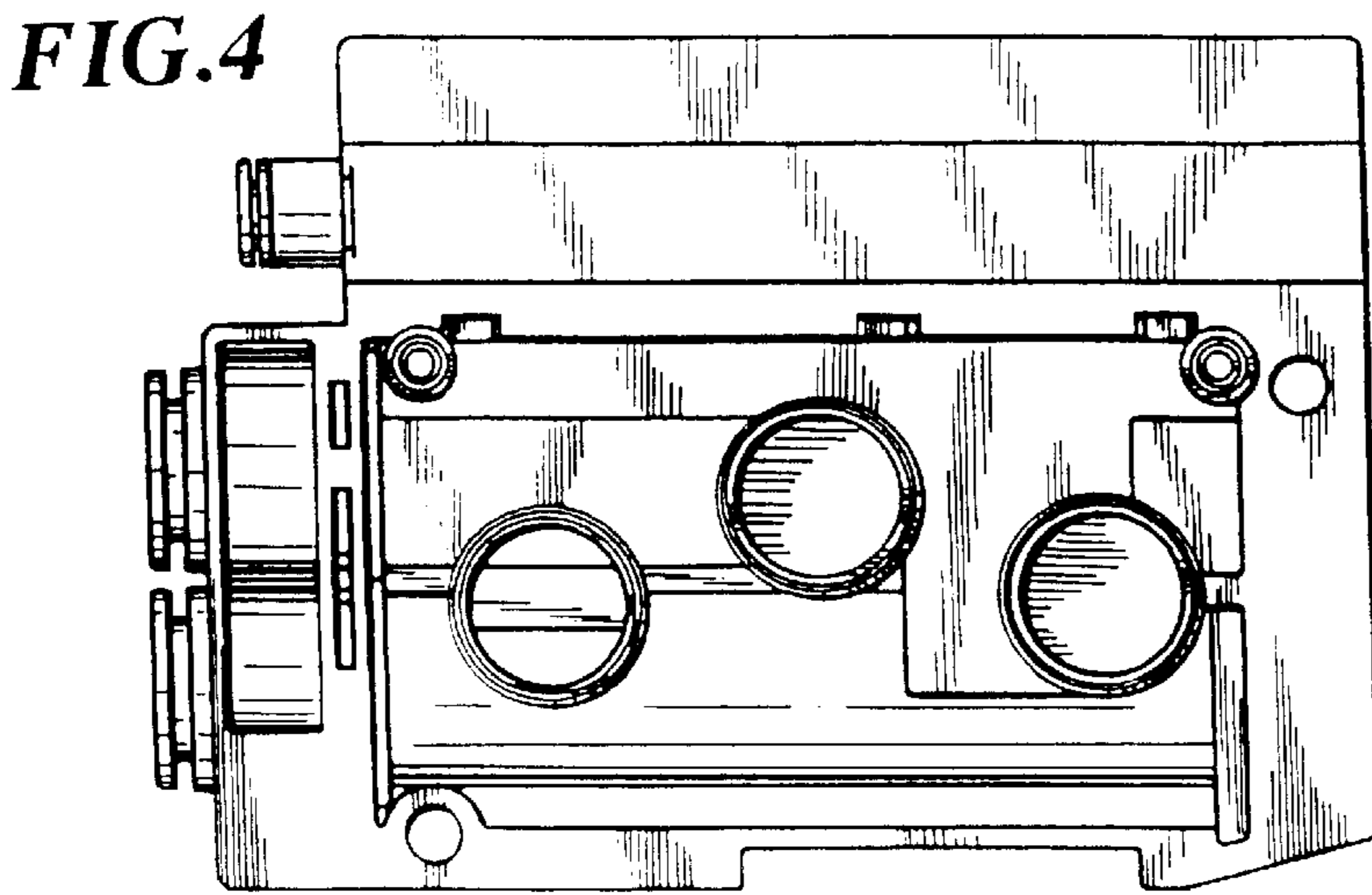


FIG. 4

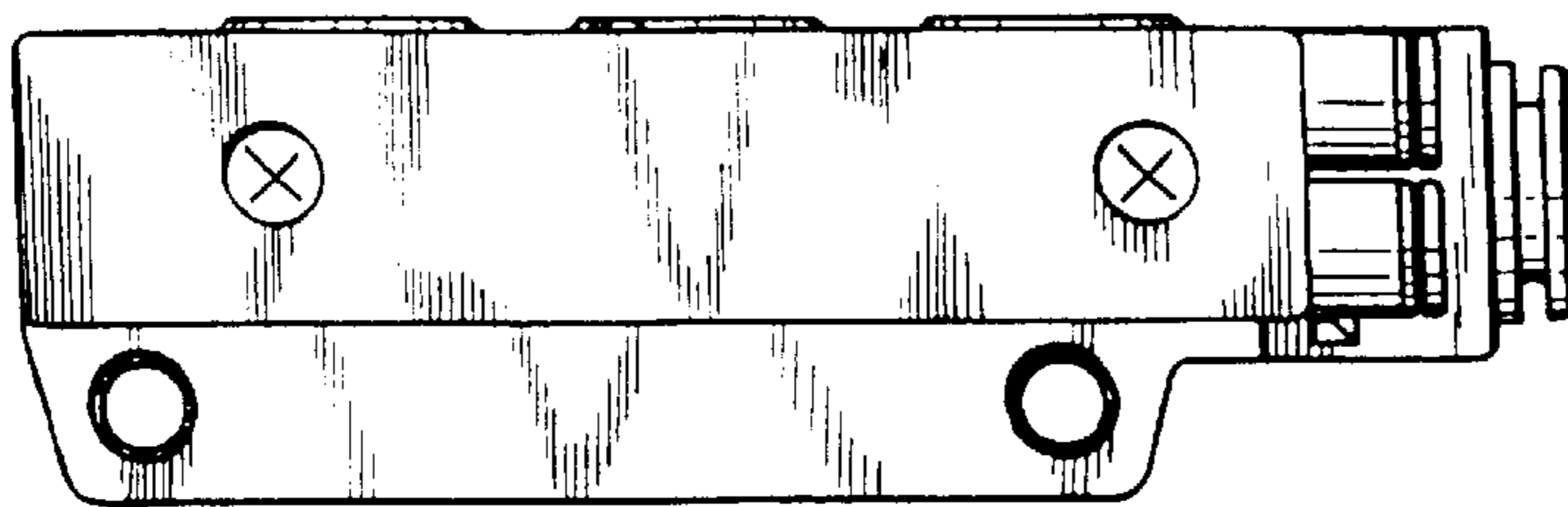


FIG. 5

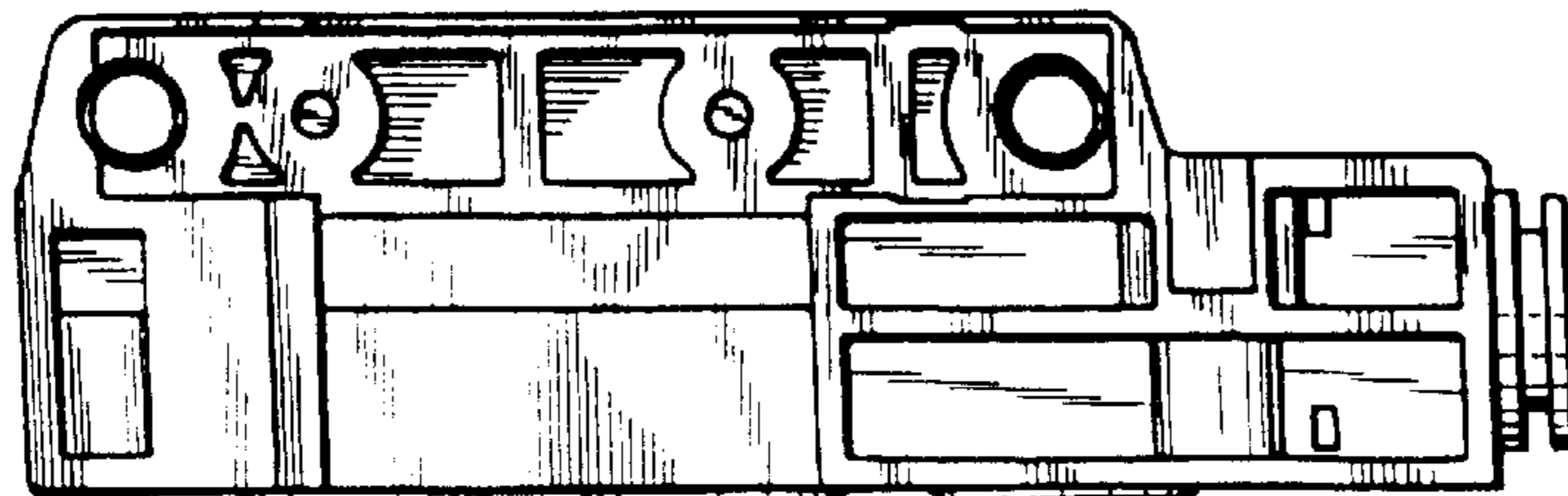


FIG. 6

FIG. 7

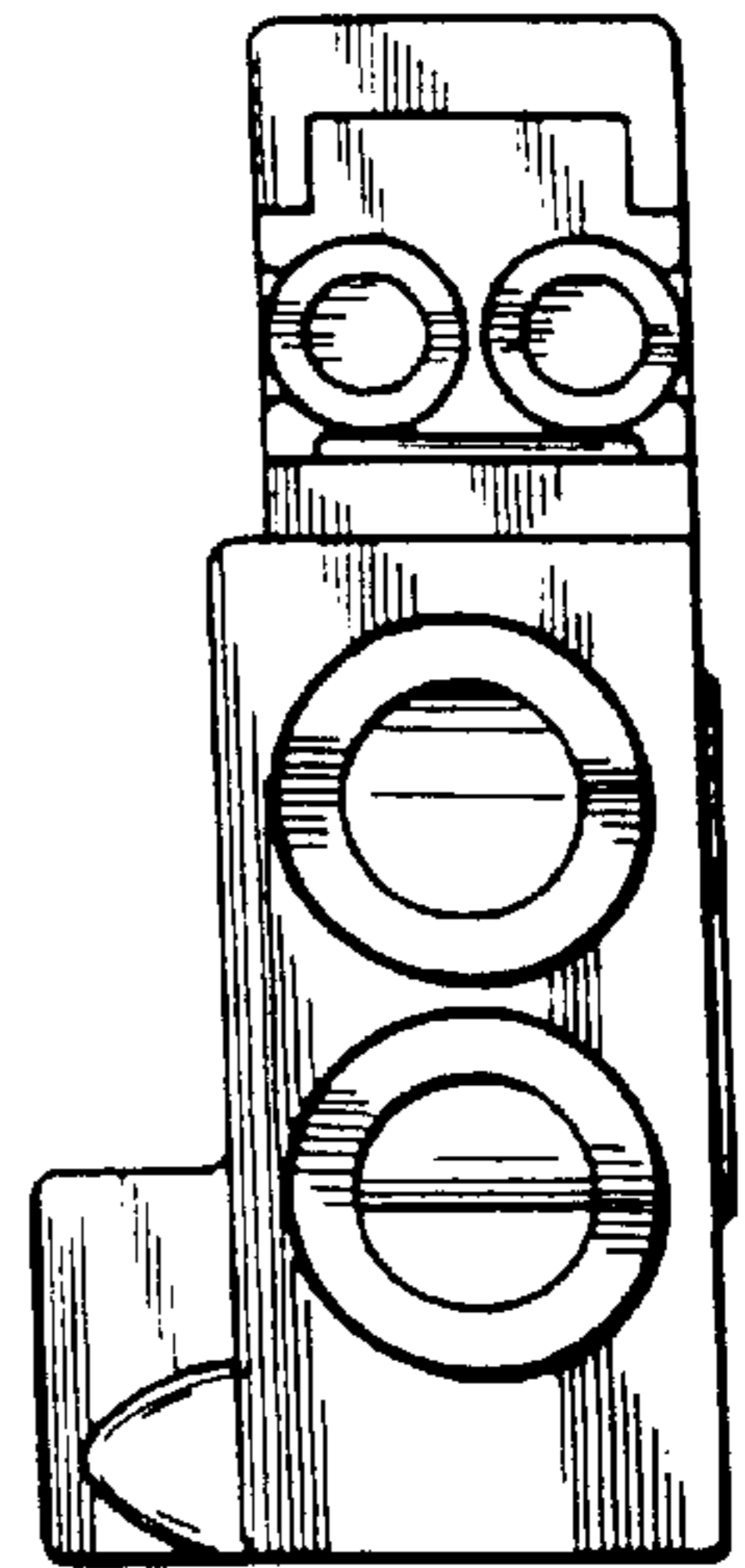


FIG. 8

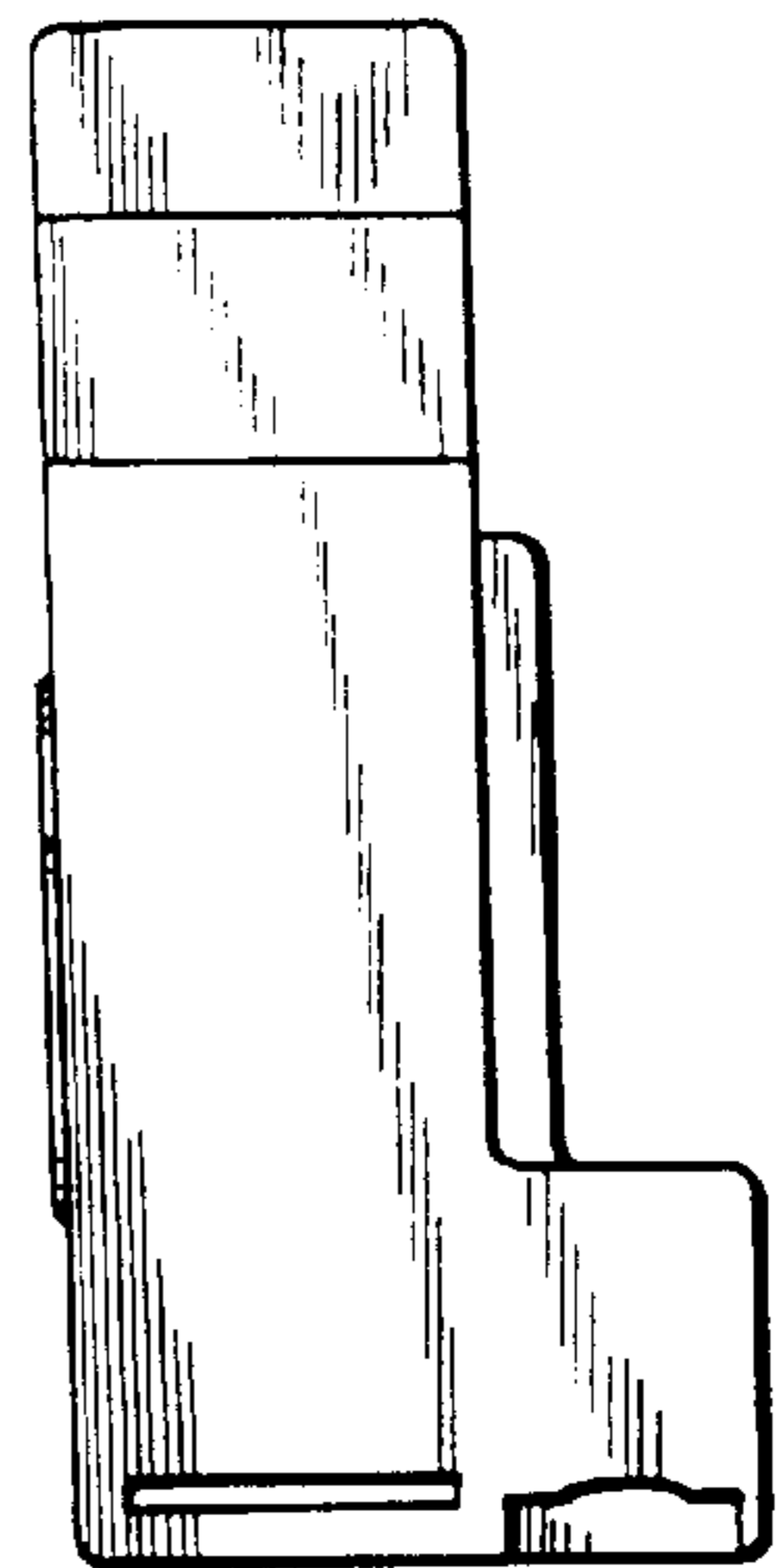


FIG. 9

