



US00D419207S

# United States Patent [19] Lieberman

[11] **Patent Number: Des. 419,207**  
[45] **Date of Patent: \*\* Jan. 18, 2000**

[54] **INFLATABLE RACE CAR**  
[75] **Inventor: Marvin S. Lieberman, New York, N.Y.**  
[73] **Assignee: Alvimar Manufacturing Co., Inc., Long Island City, N.Y.**  
[\*\*] **Term: 14 Years**

D. 295,651 5/1988 Chammah ..... D21/548  
D. 374,001 9/1996 Vance ..... D21/548  
D. 377,814 2/1997 Lieberman ..... D21/549  
D. 397,868 9/1998 Huang ..... D21/548  
D. 402,997 12/1998 Campbell et al. .... D21/548

*Primary Examiner*—Raphael Barkai  
*Attorney, Agent, or Firm*—Ostrolenk, Faber, Gerb & Soffen, LLP

[21] **Appl. No.: 29/101,378**  
[22] **Filed: Mar. 2, 1999**

### [57] CLAIM

The ornamental design for inflatable race car, as shown and described.

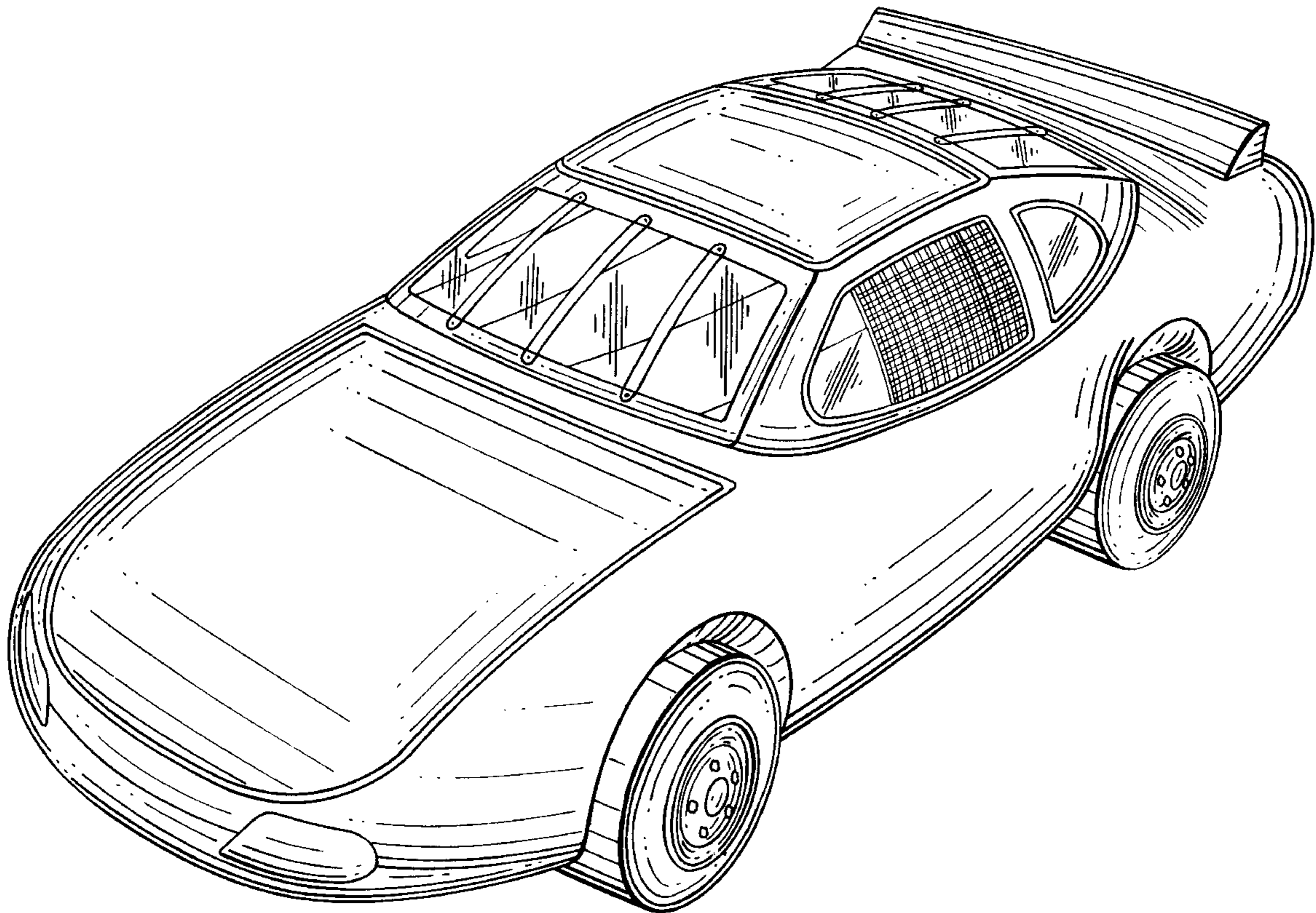
[51] **LOC (7) Cl. .... 21-01**  
[52] **U.S. Cl. .... D21/549; D21/548**  
[58] **Field of Search ..... D21/533, 548-560, D21/424-435; D12/86, 90-92; 446/465, 470, 220**

### DESCRIPTION

FIG. 1 is a top, front, and right side perspective view of the inflatable race car of my new design, FIG. 2 is a top plan view thereof, FIG. 3 is a left side elevation thereof, FIG. 4 is a front elevation thereof, FIG. 5 is a rear elevation thereof, and, FIG. 6 is a bottom plan view thereof.

[56] **References Cited**  
**U.S. PATENT DOCUMENTS**  
D. 167,906 10/1952 Muller ..... D21/548  
D. 274,740 7/1984 Santaw ..... D21/549

**1 Claim, 5 Drawing Sheets**



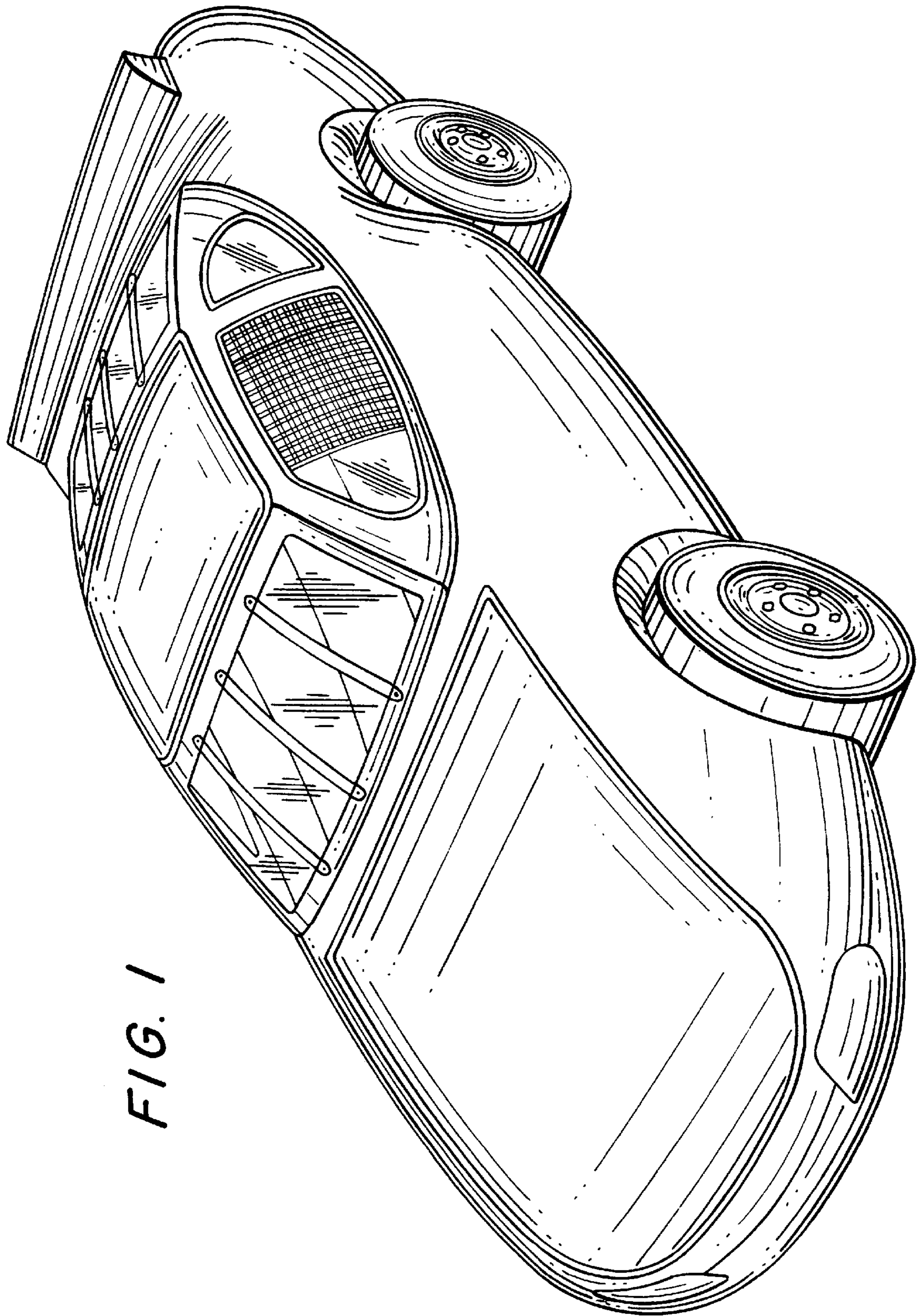


FIG. 1

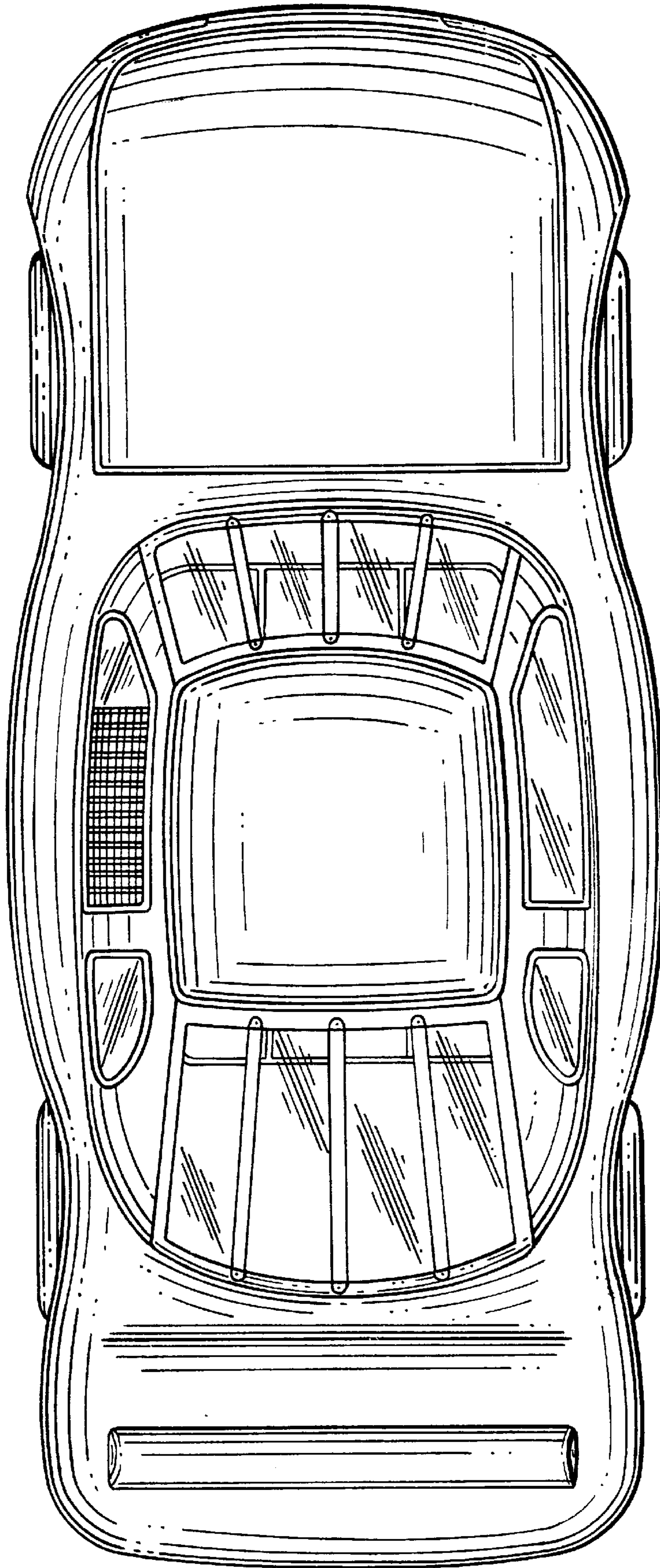


FIG. 2

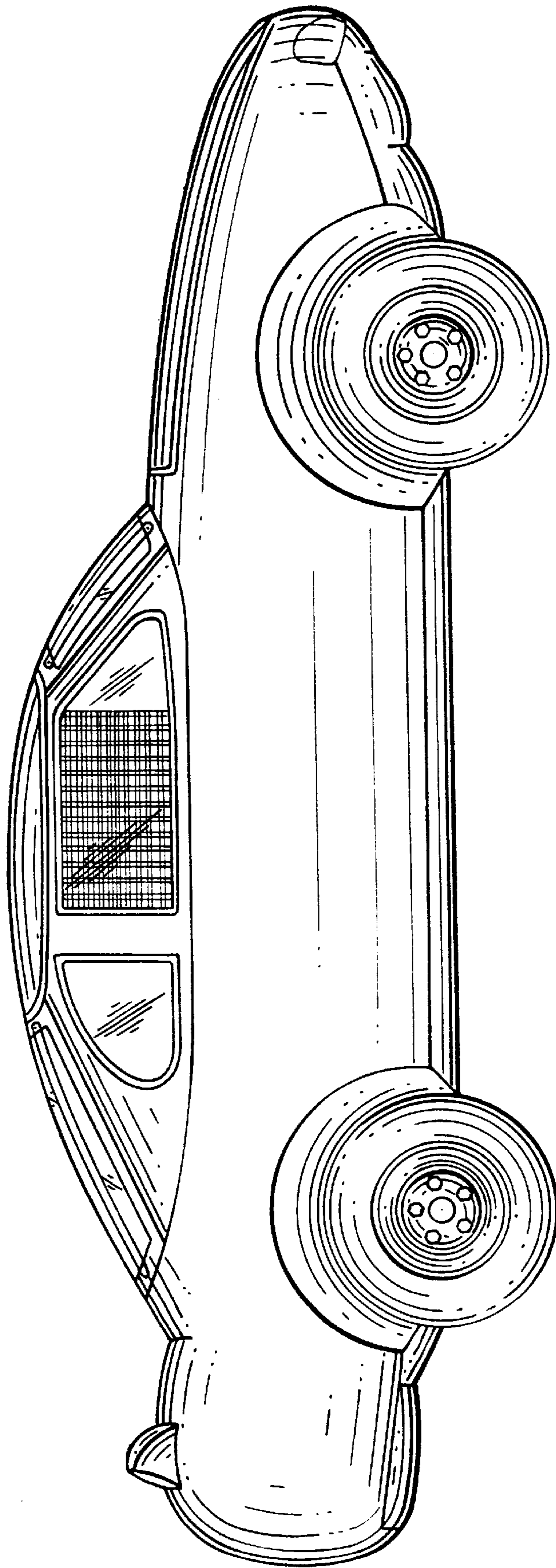
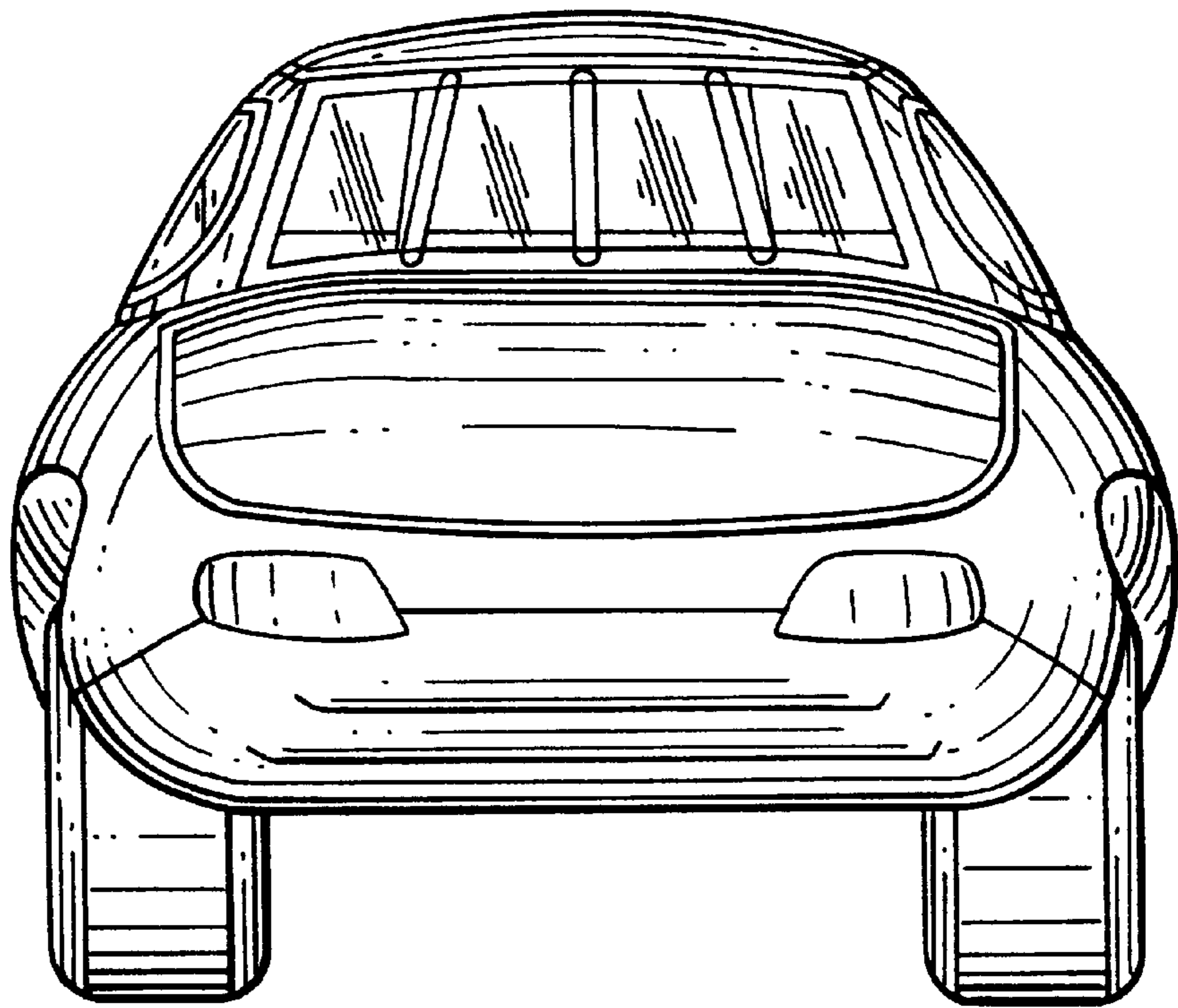
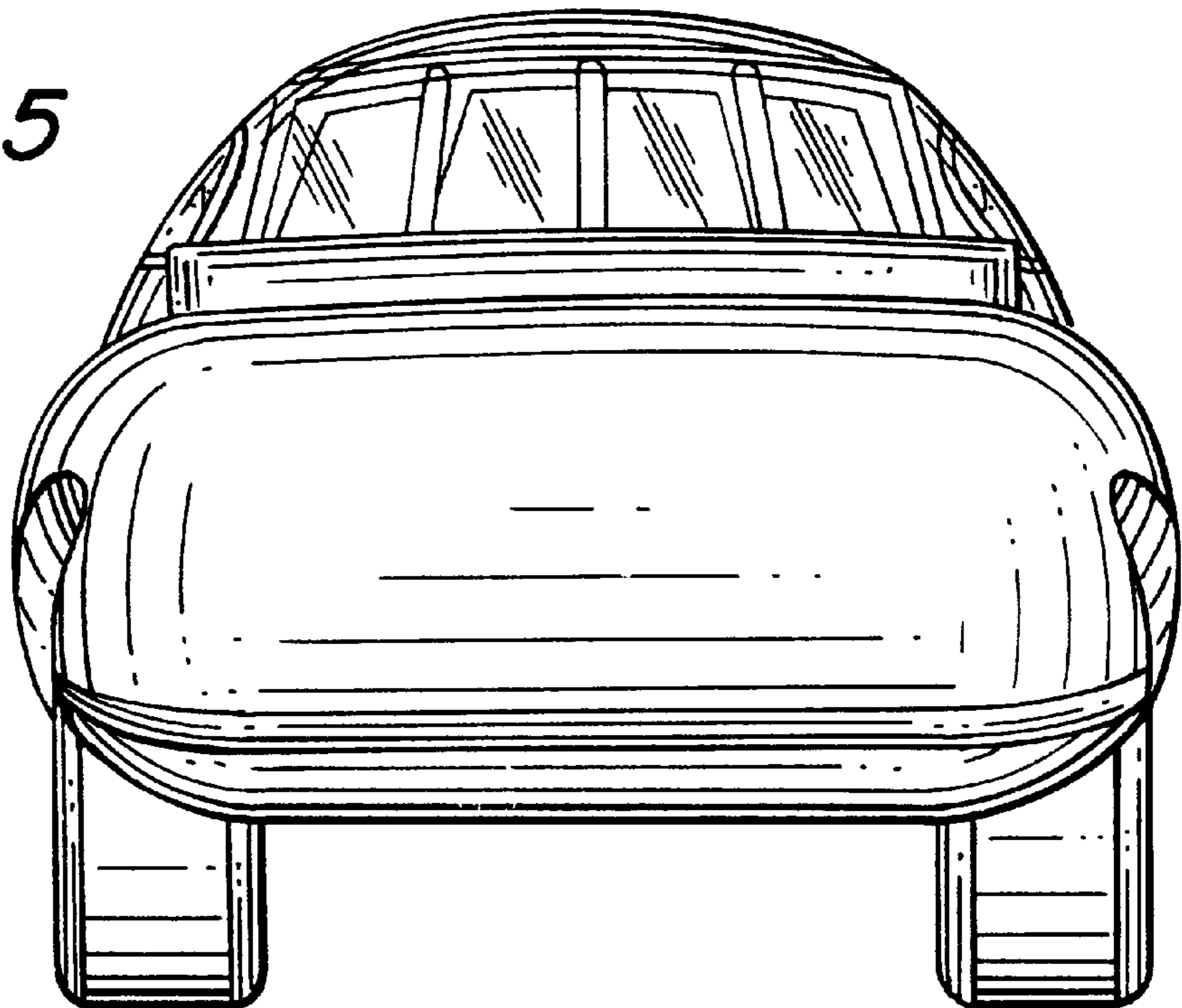


FIG. 3

*FIG. 4*



*FIG. 5*



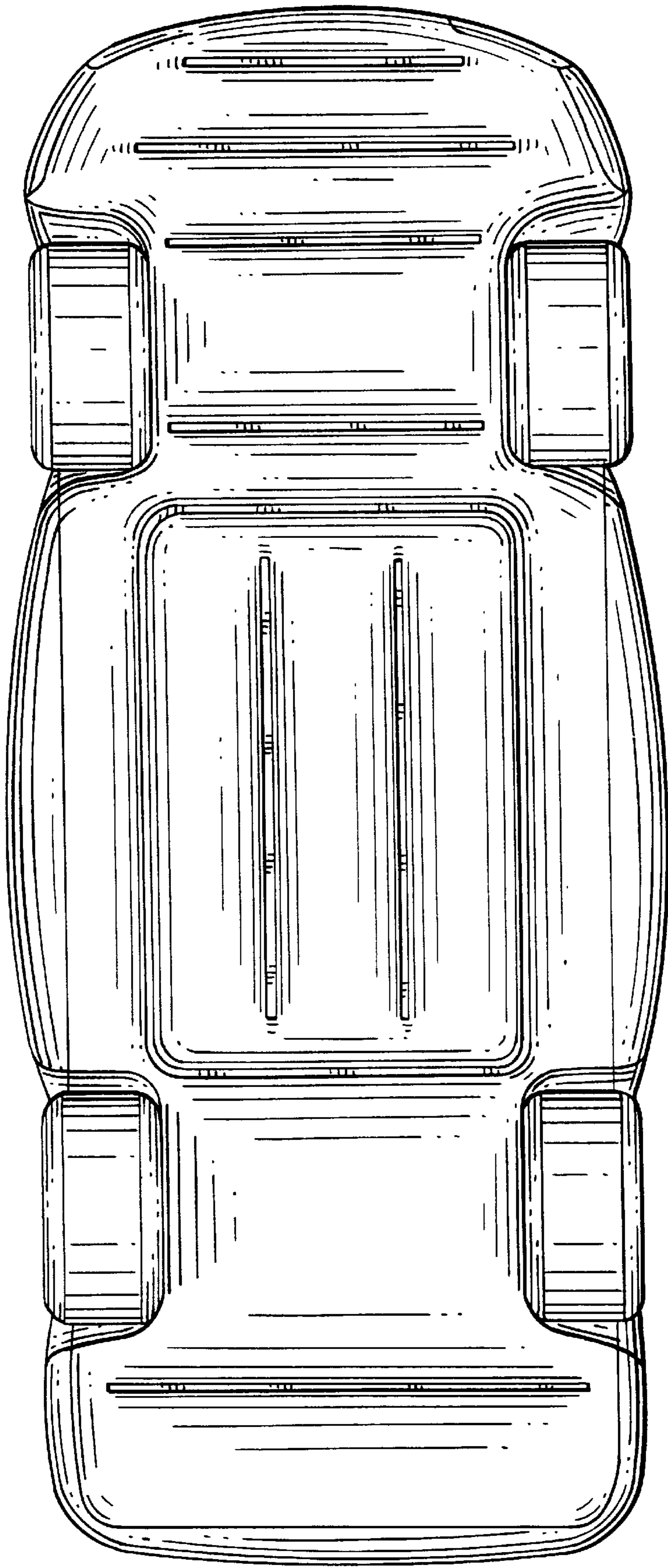


FIG. 6