



US00D419205S

# United States Patent [19]

**Kownacki et al.**

[11] **Patent Number: Des. 419,205**

[45] **Date of Patent: \*\* Jan. 18, 2000**

[54] **COMBINED AIRPLANE AND PUMPING STATION**

[75] Inventors: **Charles D. Kownacki**, Erie, Pa.;  
**Jeffrey G. Rehkemper**, Chicago, Ill.;  
**Ronnen Harary**, Toronto, Canada

[73] Assignee: **Spin Master Toys, Ltd.**, Toronto, Canada

[\*\*] Term: **14 Years**

[21] Appl. No.: **29/103,242**

[22] Filed: **Apr. 12, 1999**

[51] **LOC (7) Cl.** ..... **21-01**

[52] **U.S. Cl.** ..... **D21/447; D21/454**

[58] **Field of Search** ..... **446/63; D21/447, D21/454**

[56] **References Cited**

**U.S. PATENT DOCUMENTS**

- D. 119,968 4/1940 Smith ..... D21/447
- D. 183,966 11/1958 Guss ..... D21/454

- D. 186,179 9/1959 Parker ..... D21/454
- D. 224,250 7/1972 Crain ..... D21/454
- D. 342,551 12/1993 D'Andrade et al. .... D21/447
- 2,282,764 5/1942 Lazzari ..... 446/63
- 4,209,937 7/1980 Witte ..... 446/63
- 4,897,065 1/1990 Fertig ..... 446/63

*Primary Examiner*—Dominic Simone  
*Attorney, Agent, or Firm*—M. K. Silverman

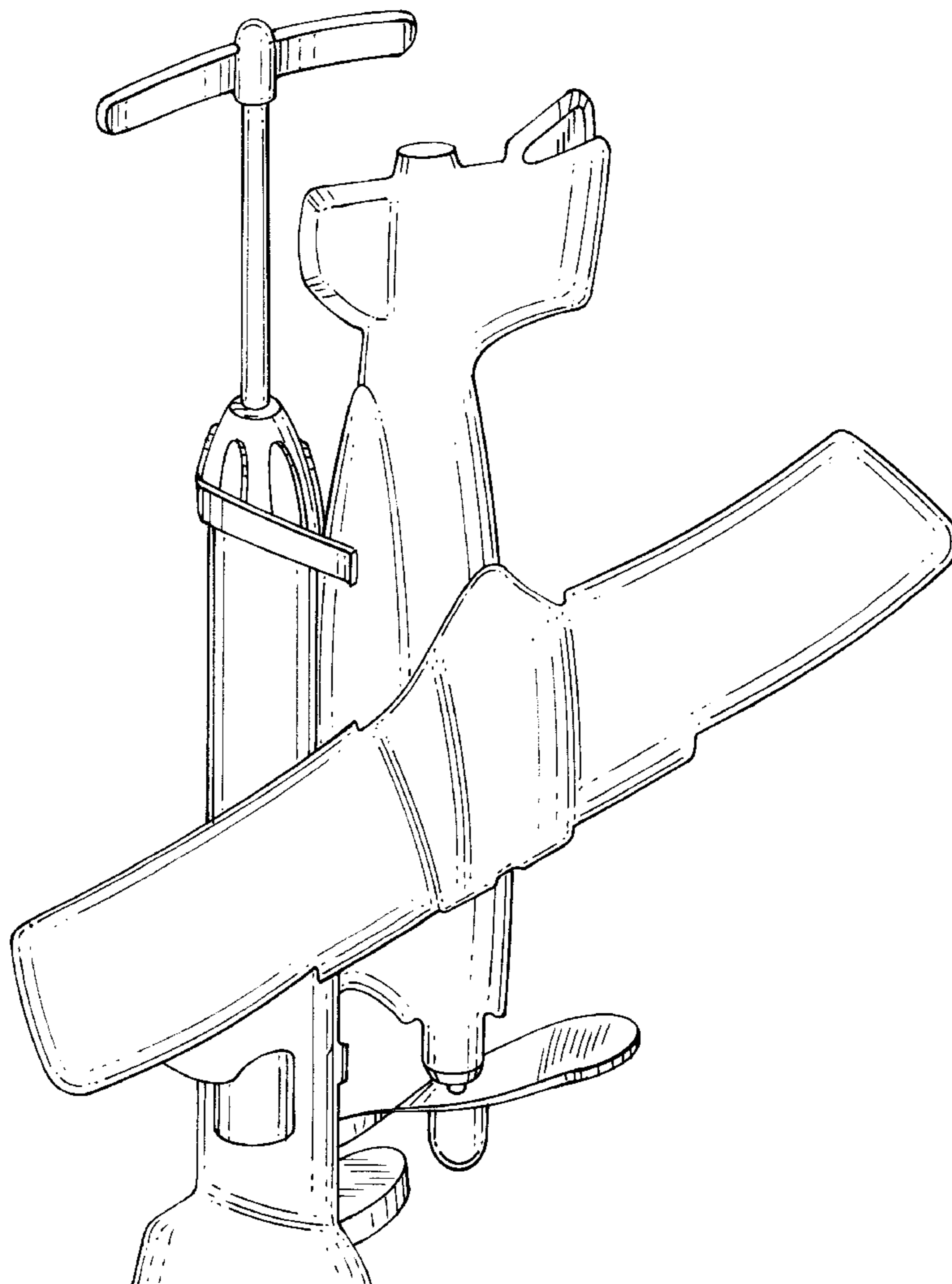
[57] **CLAIM**

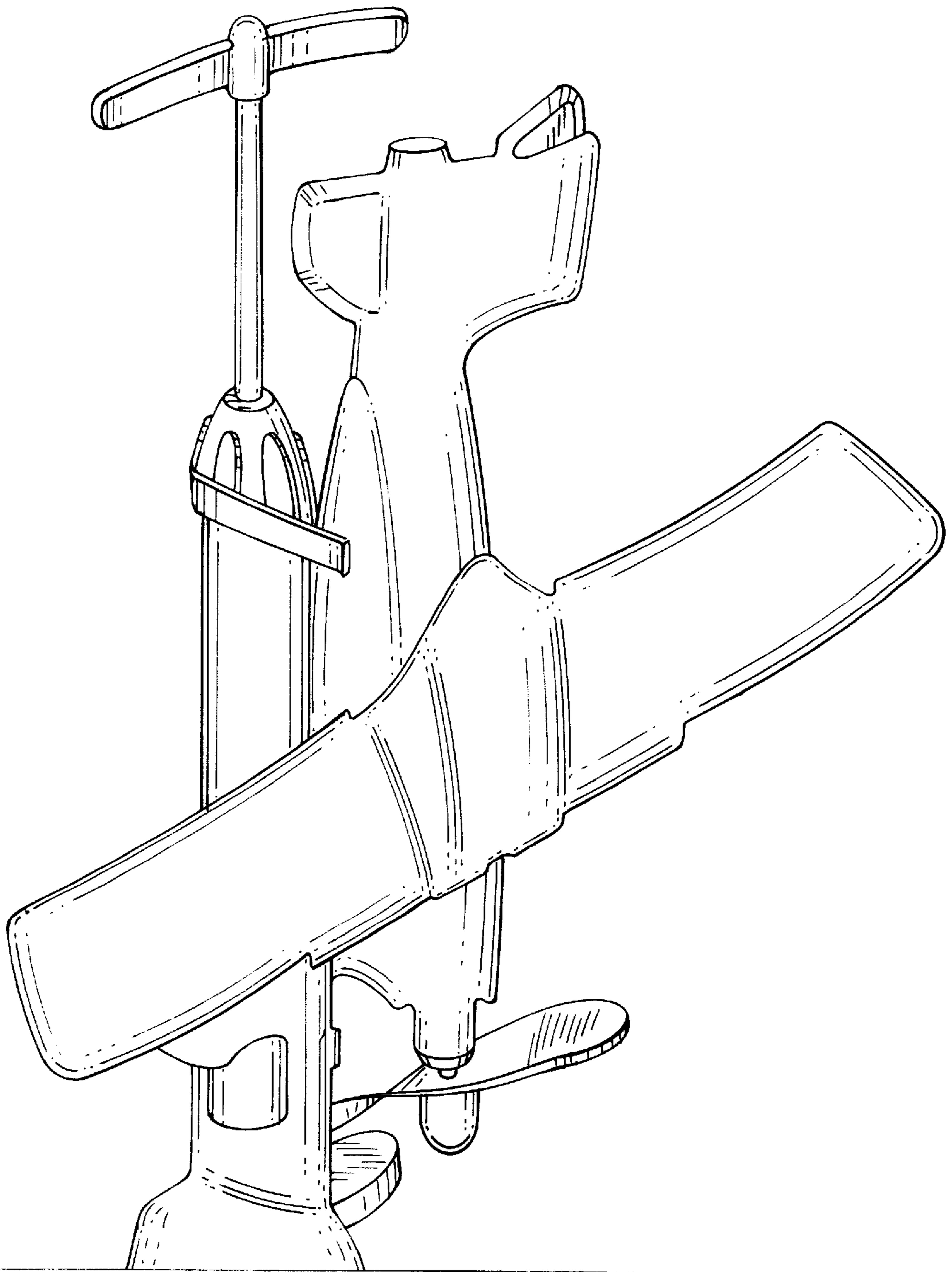
The ornamental design for a combined airplane and pumping station, as shown and described.

**DESCRIPTION**

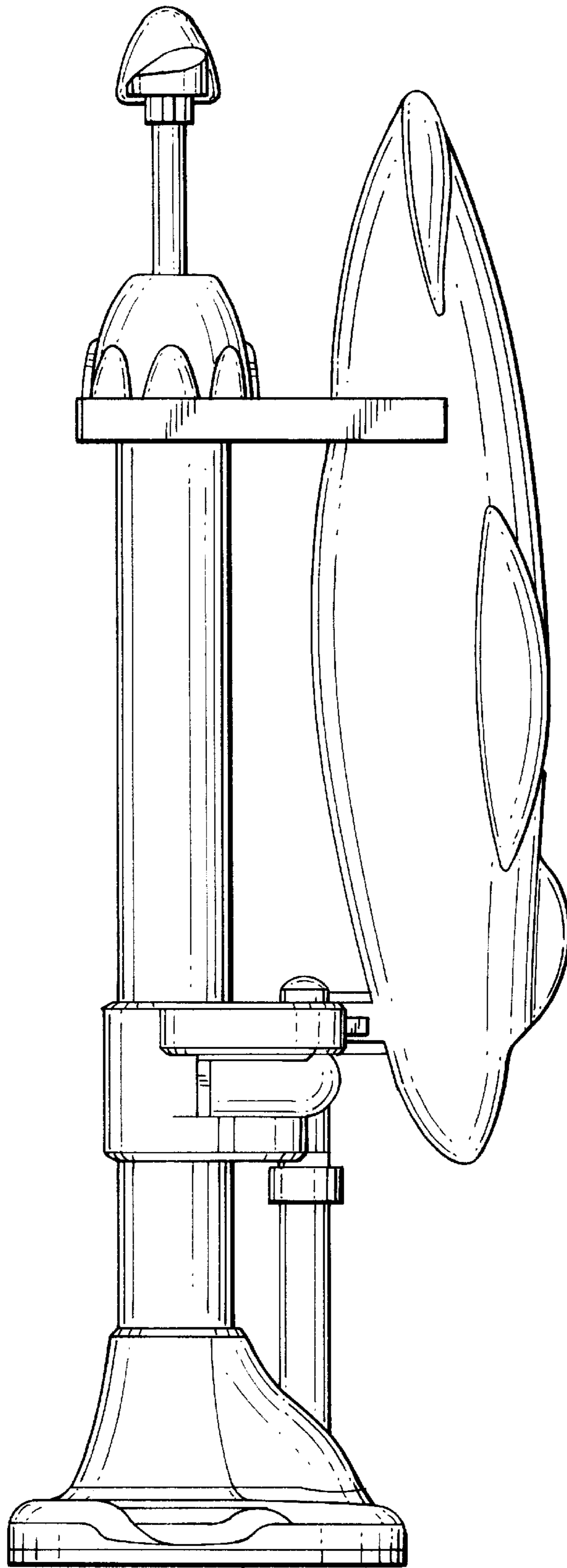
FIG. 1 is a perspective view of a combined toy airplane and pumping station showing our new design; FIG. 2 is a left side elevational view thereof; FIG. 3 is a front elevational view thereof; FIG. 4 is a top view of the pressure gauge shown separately for clarity of illustration; FIG. 5 is a bottom view of FIG. 1; and, FIG. 6 is a right elevational view of FIG. 1.

**1 Claim, 5 Drawing Sheets**





*FIG. 1*



*FIG. 2*

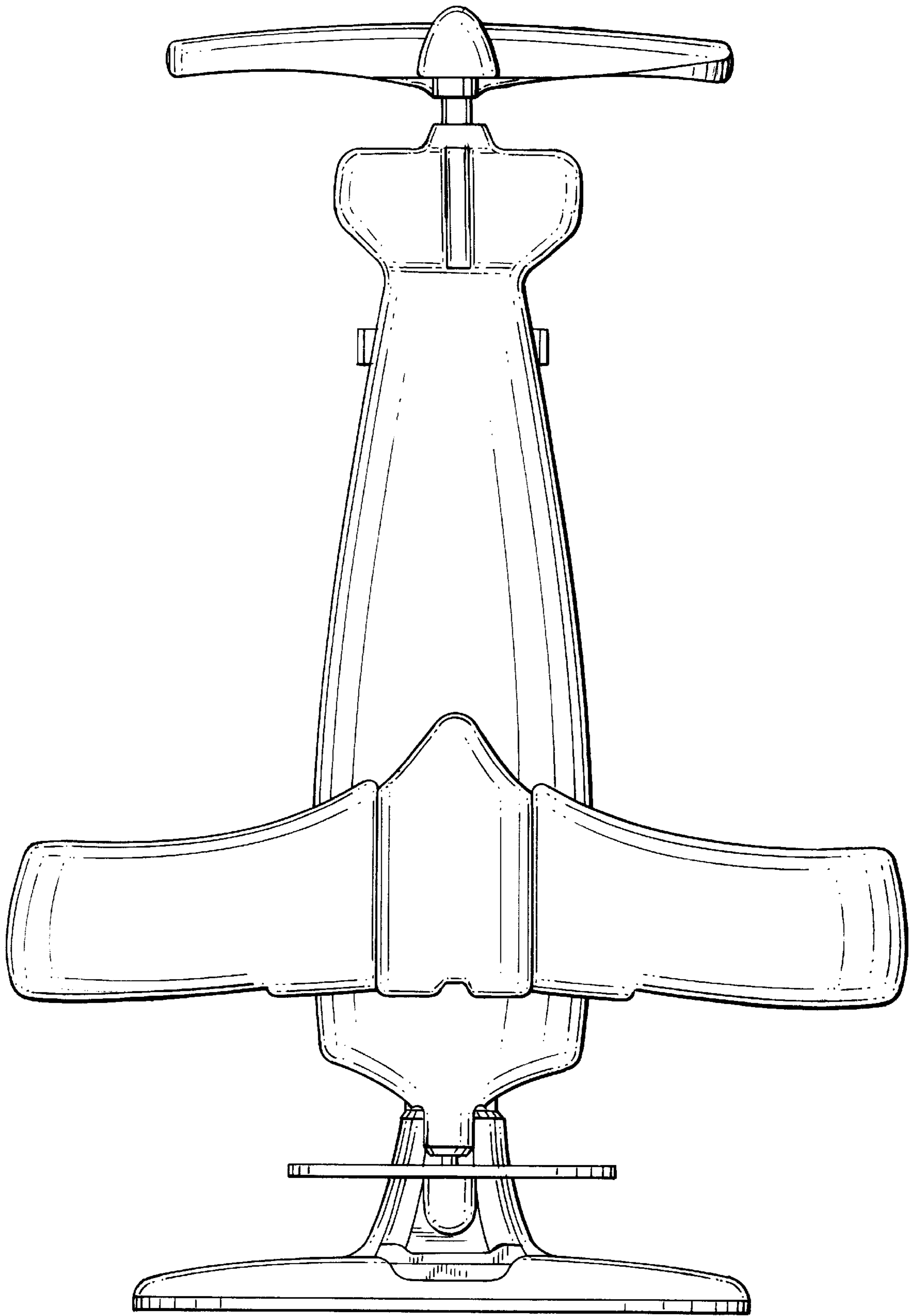
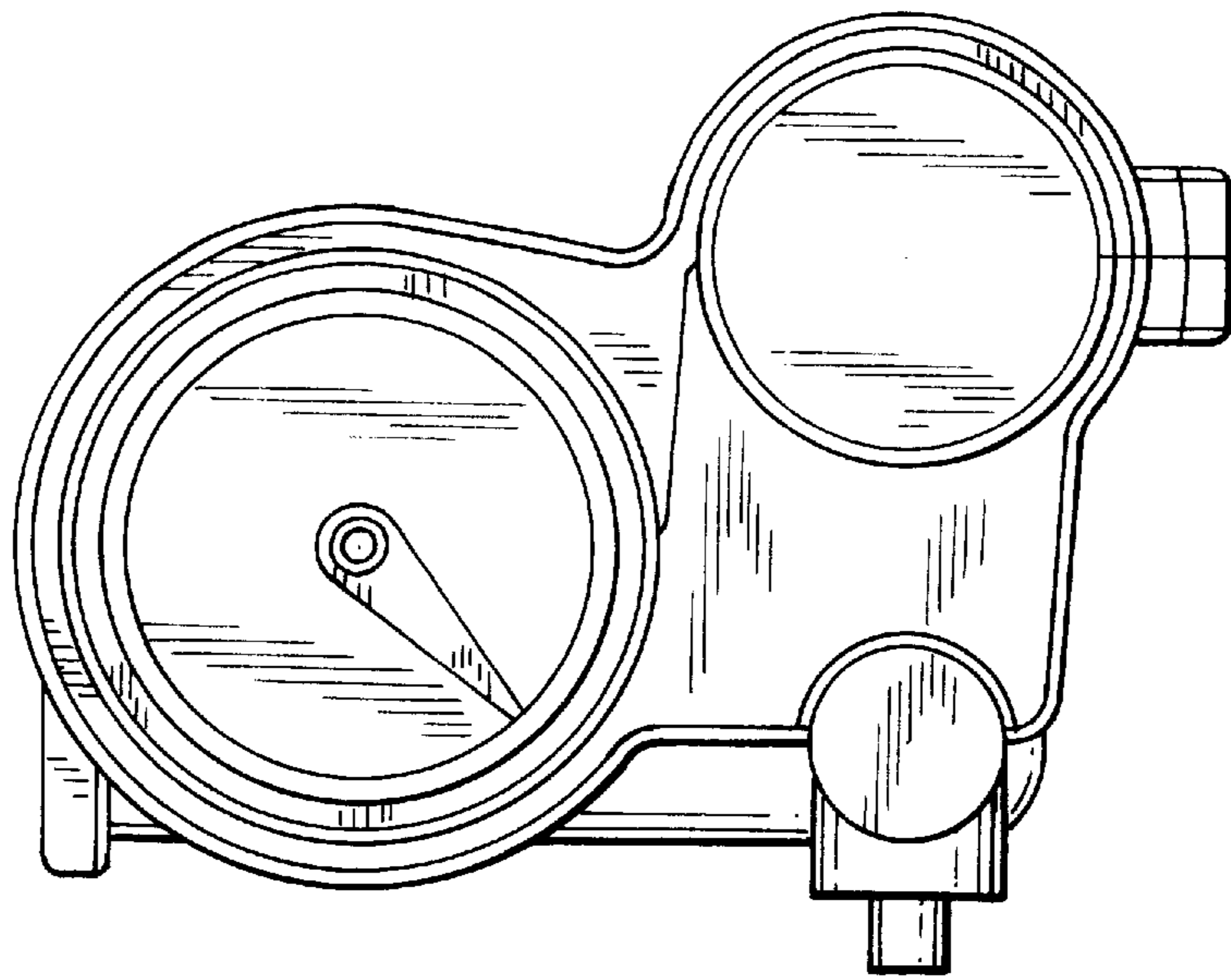
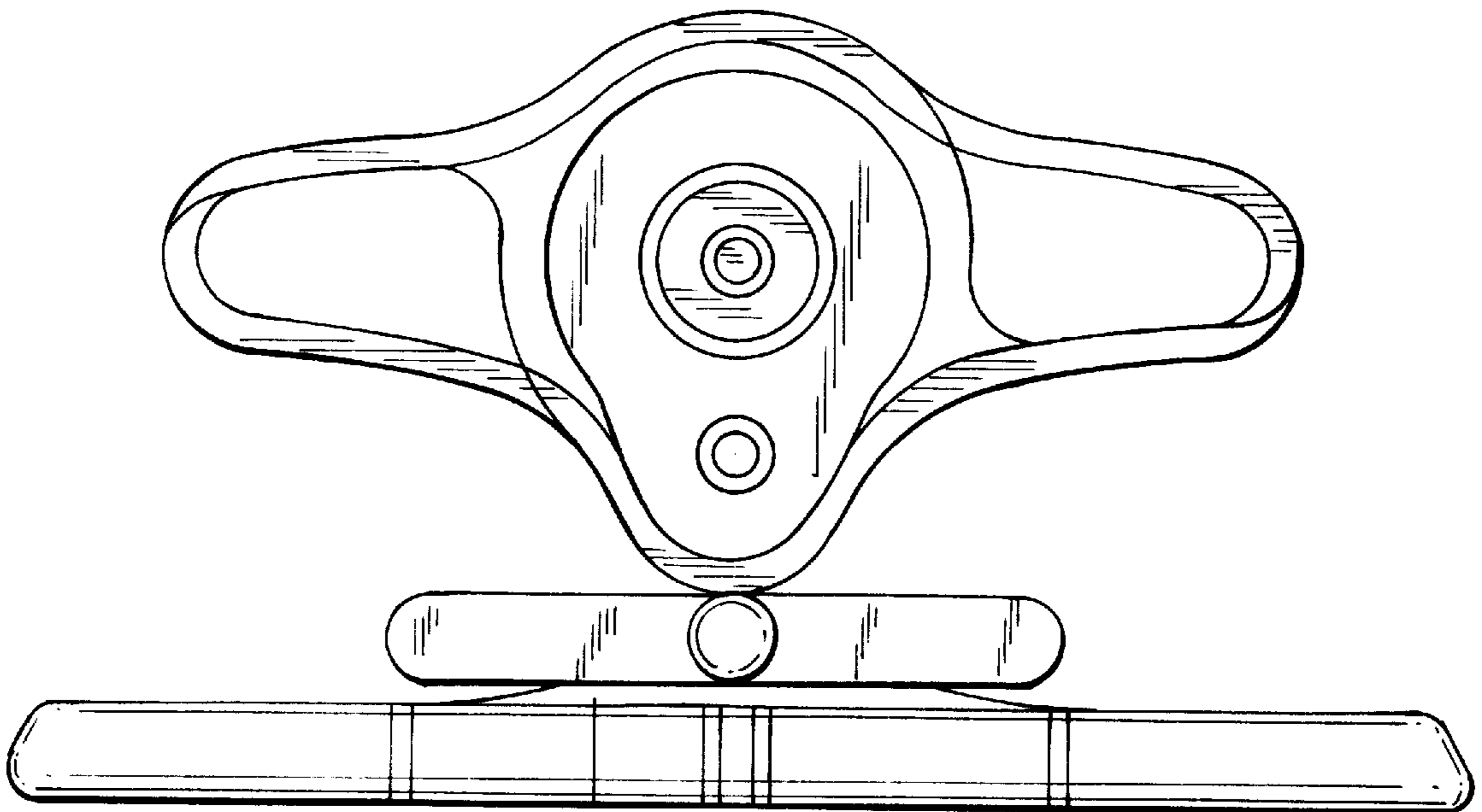


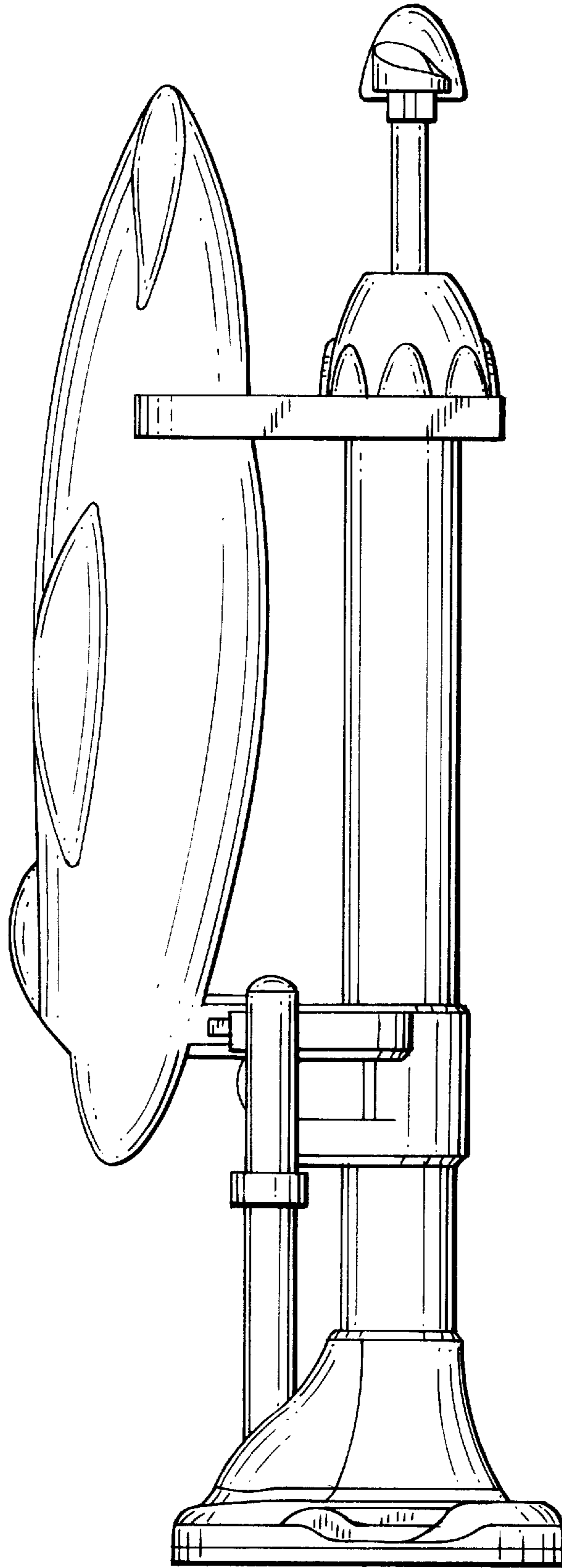
FIG. 3



*FIG. 4*



*FIG. 5*



*FIG. 6*