



US00D419201S

United States Patent [19] de Haas

[11] Patent Number: **Des. 419,201**

[45] Date of Patent: **** Jan. 18, 2000**

[54] **GAMBLING MACHINE**

5,752,881 5/1998 Inoue 463/20
5,826,882 10/1998 Ward 273/143 R

[75] Inventor: **Henricus Wilhelmus de Haas,**
Oirschot, Netherlands

OTHER PUBLICATIONS

[73] Assignee: **Orion Casino Technology BV,**
Netherlands

JS International Slot Machines, copyright 1997. IGT S Plus with Embedded Validator. <http://www.js7.com>. L.A. Slot Machine Co., Inc., found Sep. 22, 1997. Bally Big Apple Slot Machine. <http://206.217.53.90/balba.html>.

[**] Term: **14 Years**

Primary Examiner—Sandra L. Morris
Attorney, Agent, or Firm—Brooks & Kushman P.C.

[21] Appl. No.: **29/085,317**

[22] Filed: **Mar. 20, 1998**

[57] CLAIM

[51] **LOC (7) Cl.** **21-03**

The ornamental design for the gambling machine, as shown and described.

[52] **U.S. Cl.** **D21/370**

[58] **Field of Search** D21/329, 331,
D21/332, 369-371; 273/138.1, 139, 142 R,
143 R, 145 R; 463/13, 20, 29.35

DESCRIPTION

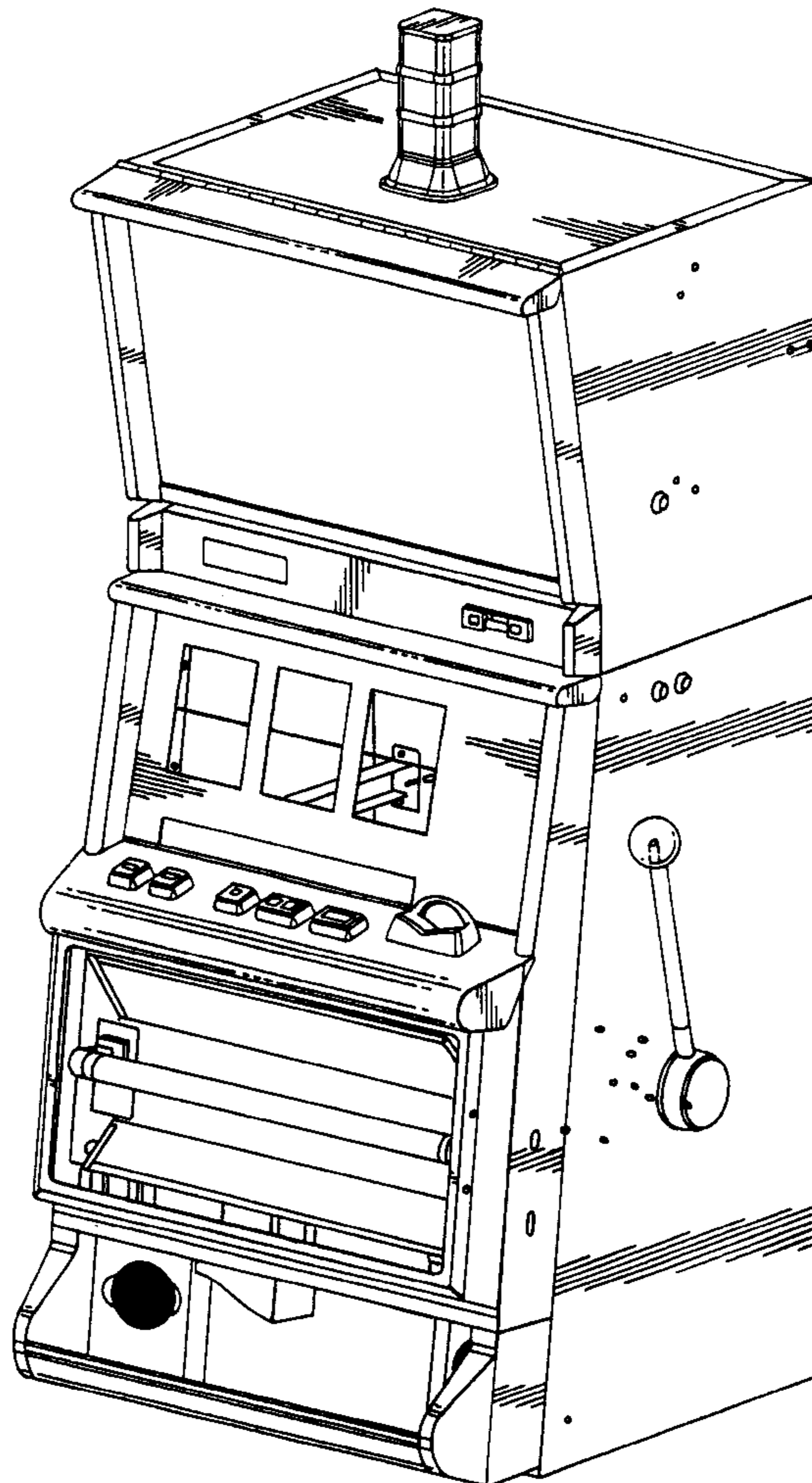
[56] References Cited

U.S. PATENT DOCUMENTS

D. 307,771	5/1990	Cesaroni et al.	D21/370
D. 371,168	6/1996	Takemoto et al.	D21/370
D. 378,604	3/1997	Brettschneider	D21/370
5,167,413	12/1992	Fulton	D21/370
5,695,402	12/1997	Stupak	463/20

FIG. 1 is a perspective view of the gambling machine showing my novel design from the front; FIG. 2 is an elevation view of the front side; FIG. 3 is an elevation view of the right side; FIG. 4 is an elevation view of the left side; FIG. 5 is a plan view thereof from above; FIG. 6 is a plan view thereof from below; and, FIG. 7 is an elevation view of the back side.

1 Claim, 6 Drawing Sheets



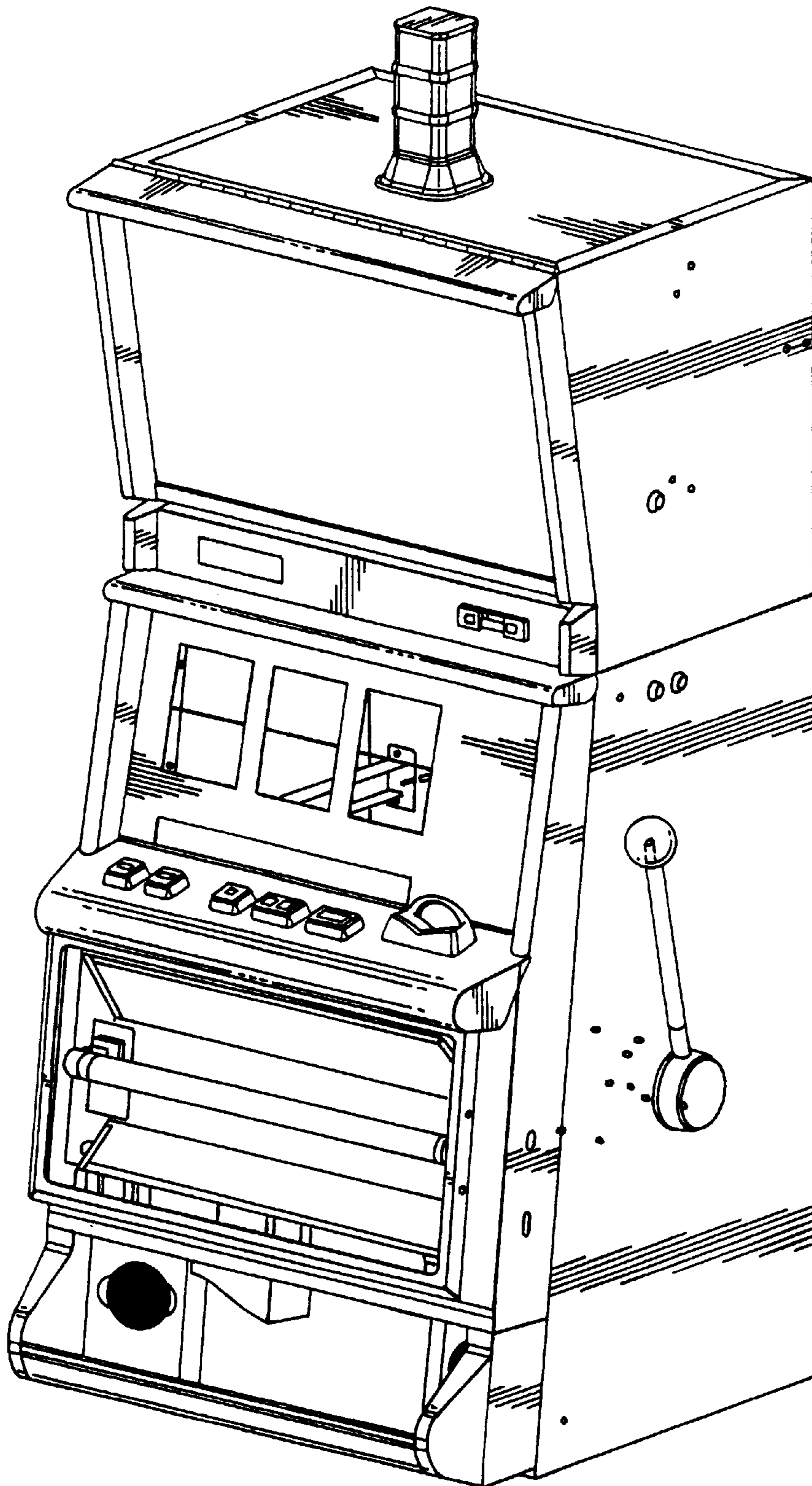


FIG. 1

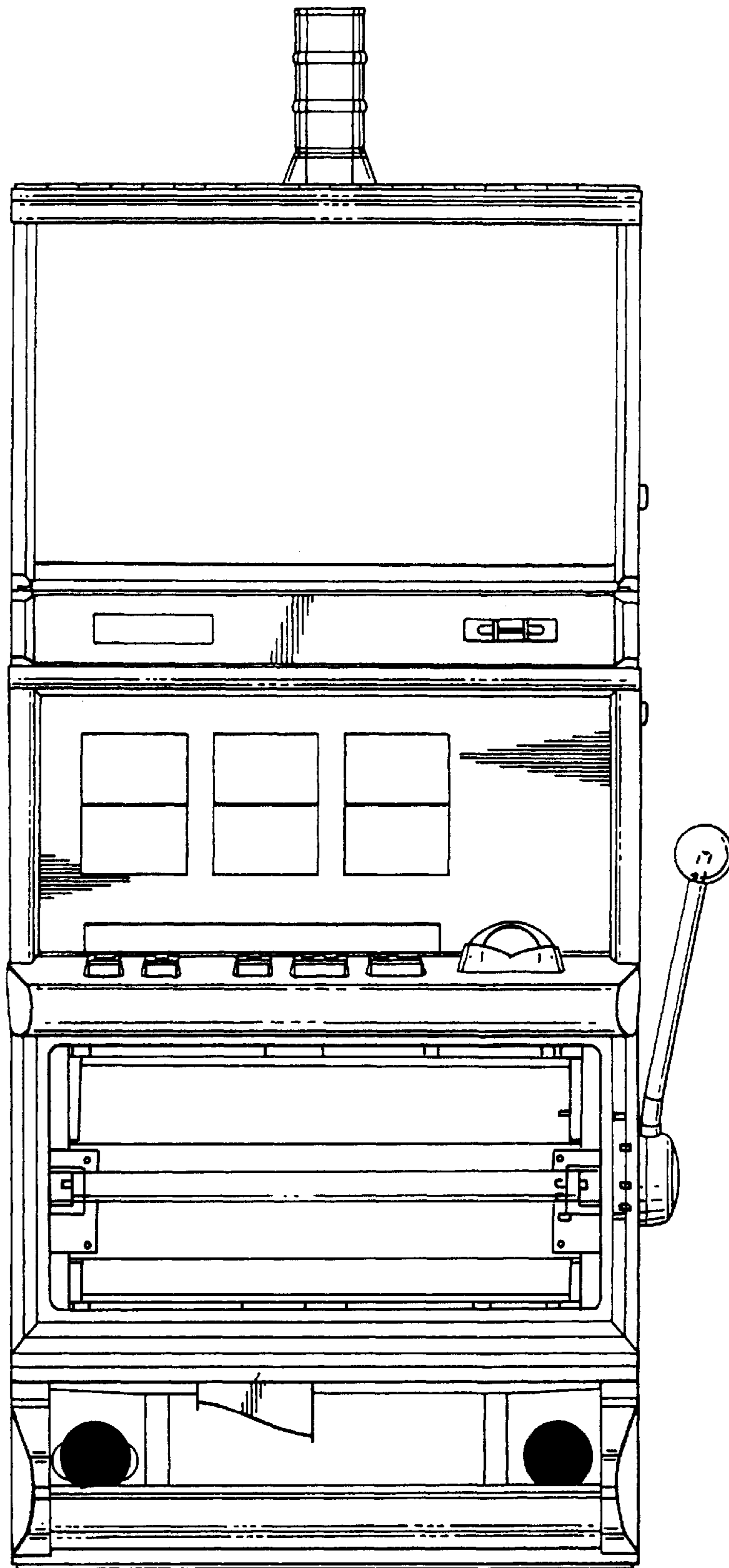


FIG. 2

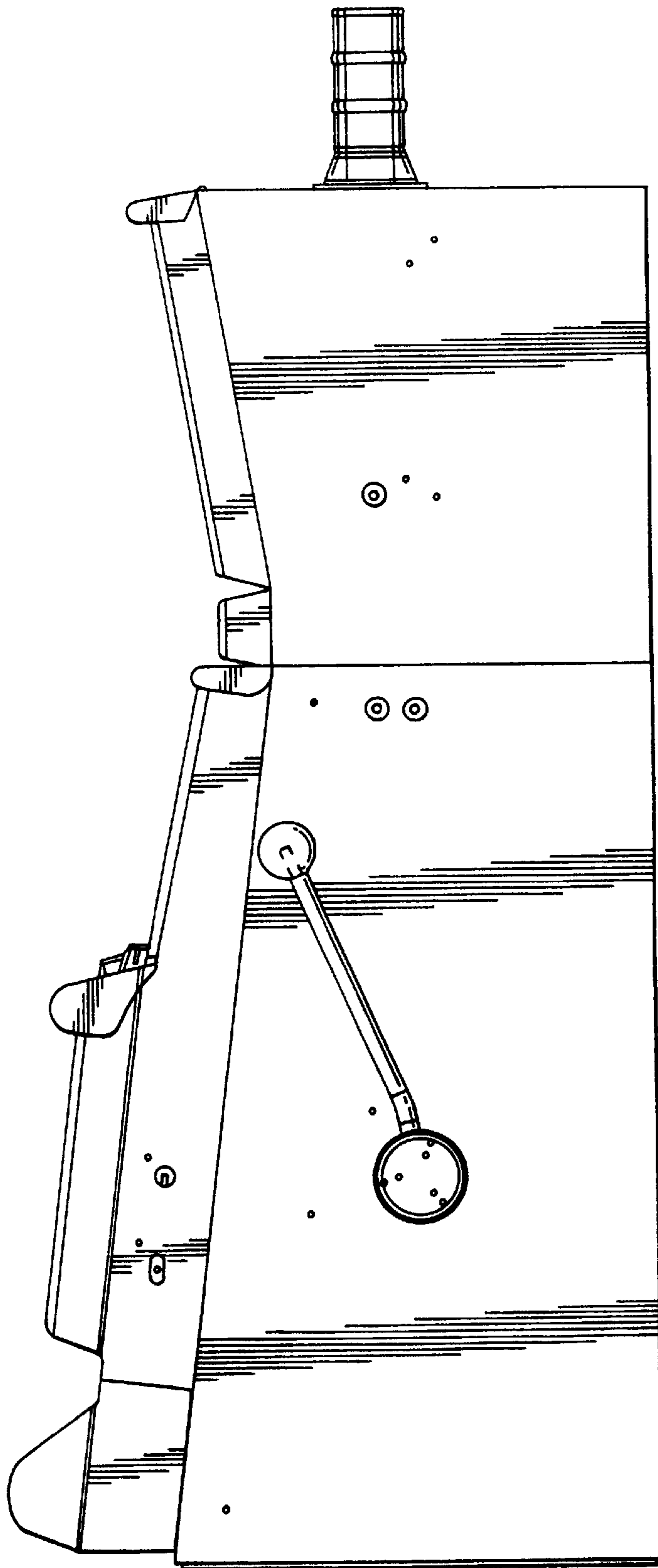


FIG. 3

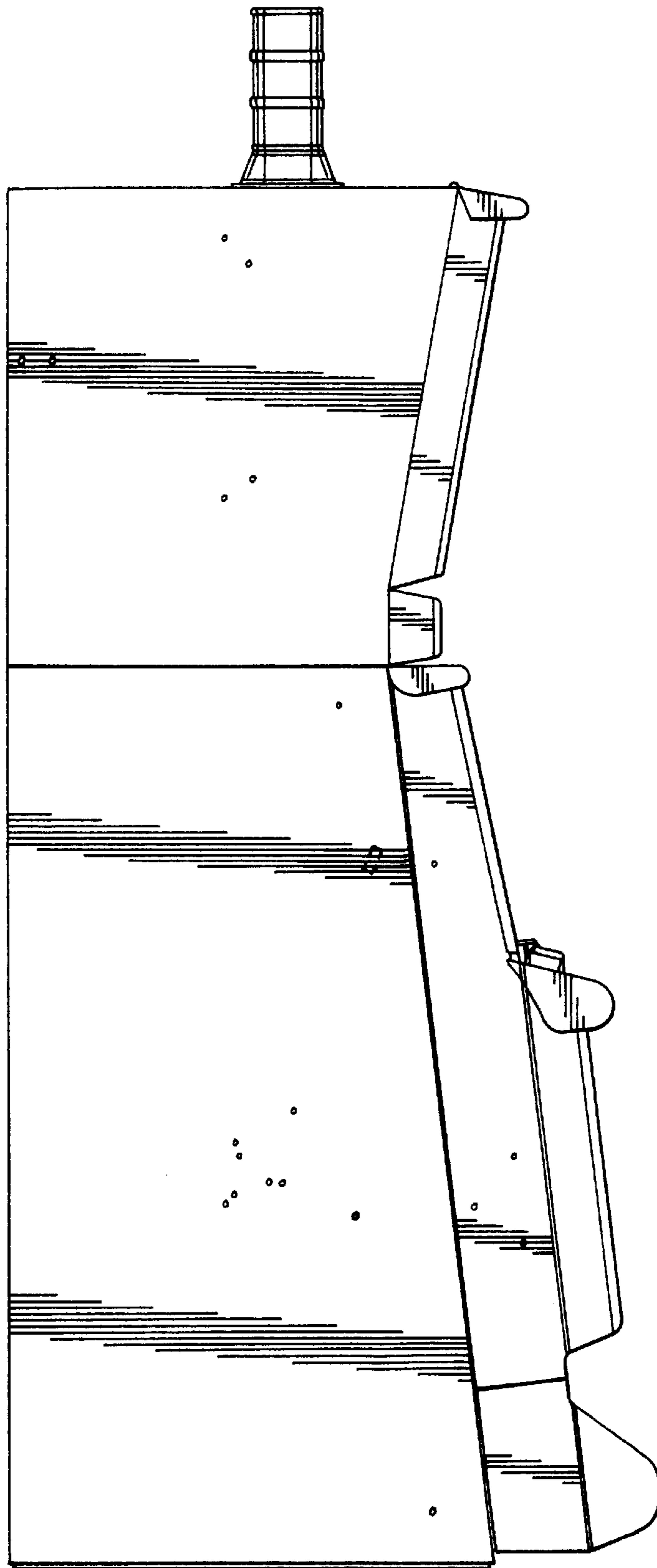


FIG. 4

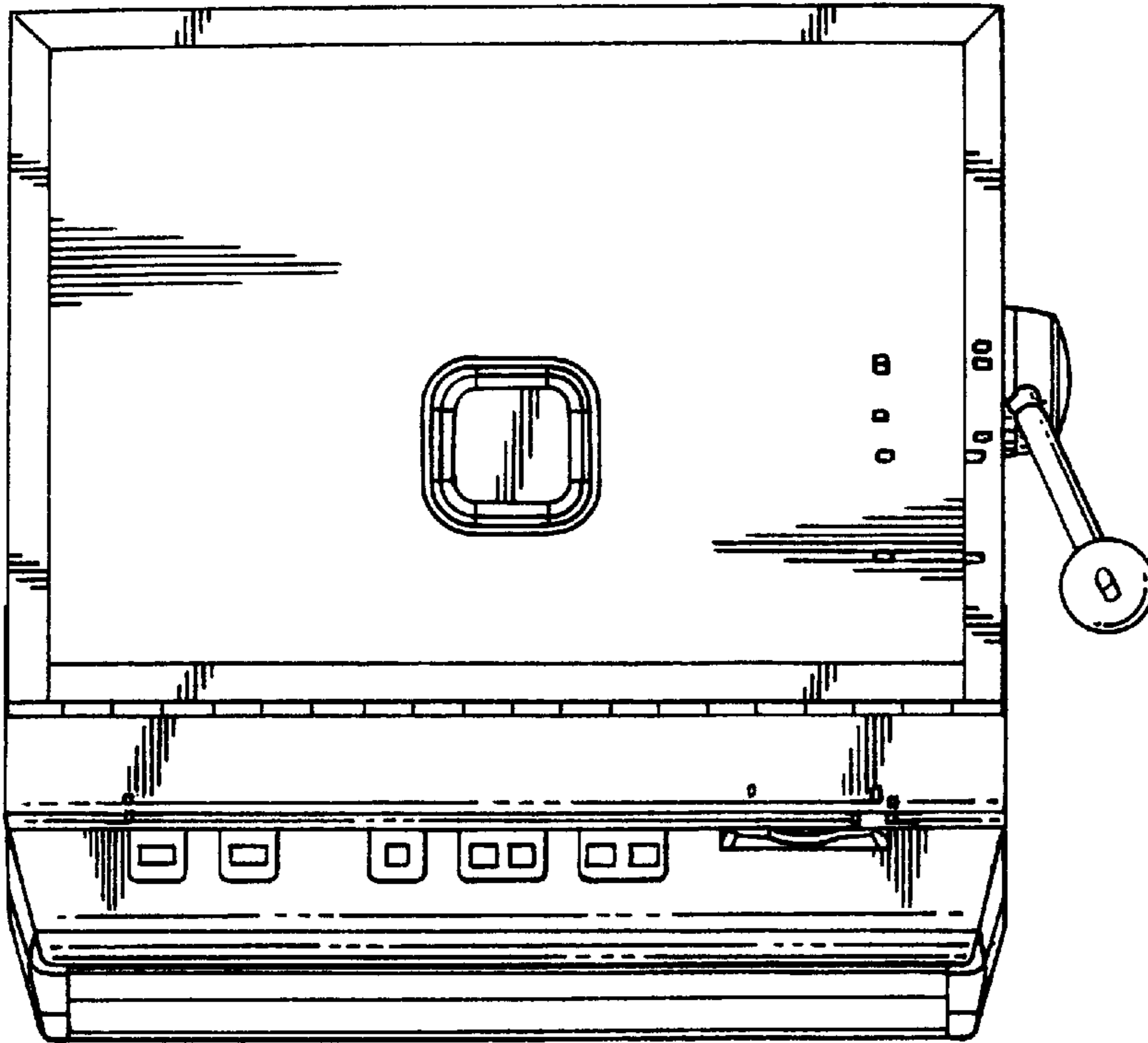


FIG. 5

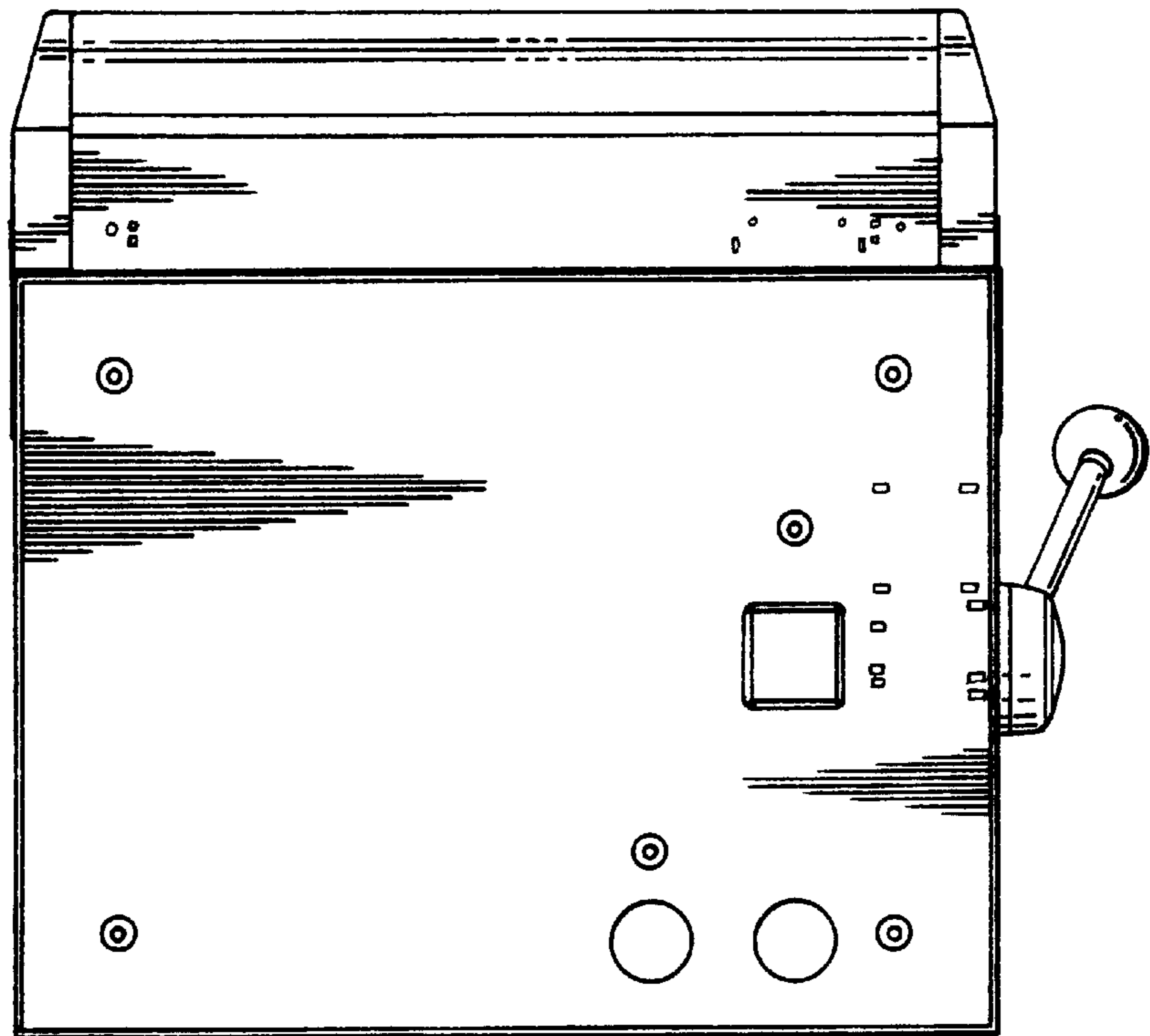


FIG. 6

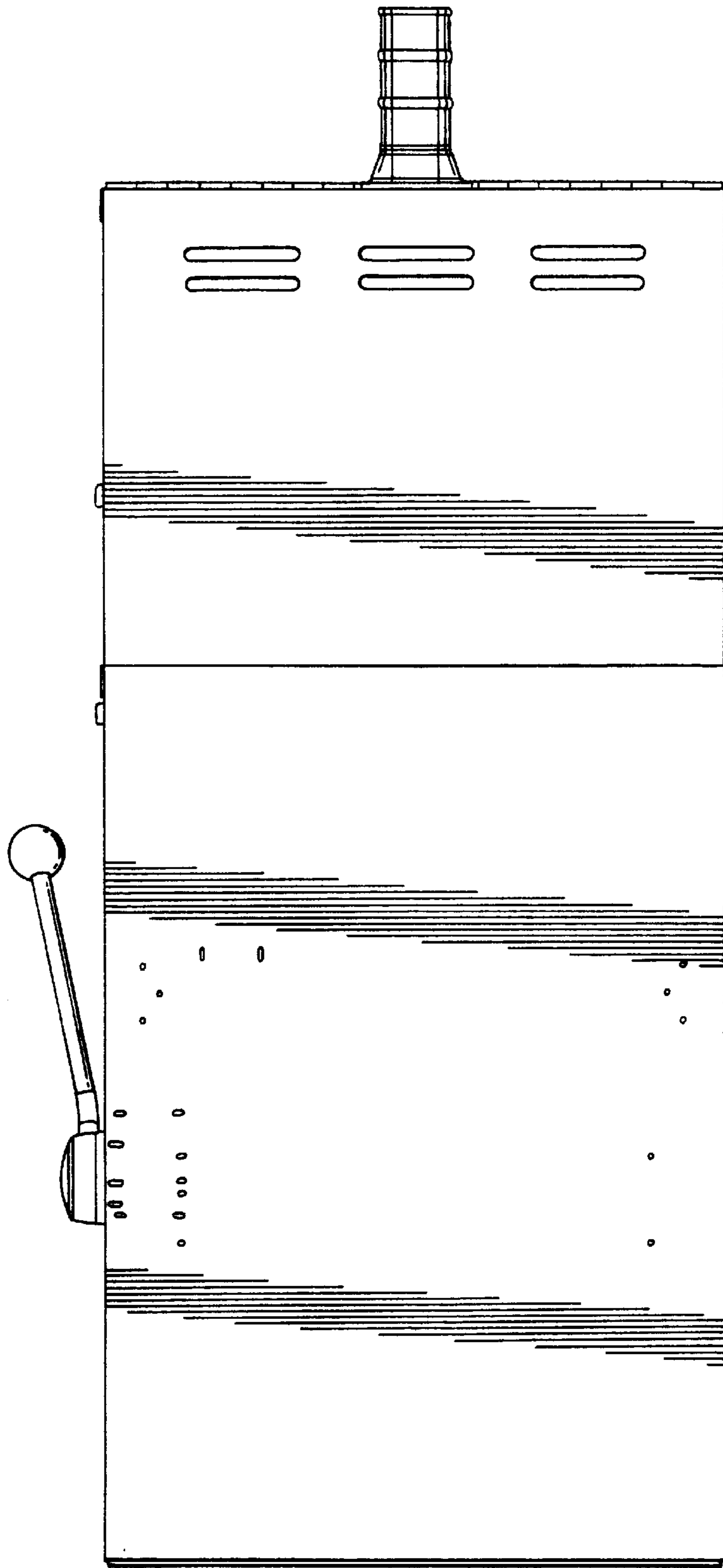


FIG. 7