



US00D419197S

**United States Patent** [19]  
**Joyner, III**

[11] **Patent Number: Des. 419,197**  
[45] **Date of Patent: \*\* Jan. 18, 2000**

[54] **CURB SIGN**  
[75] Inventor: **Ernest Joyner, III**, Hampton, S.C.  
[73] Assignee: **Carsonite International Corporation**,  
Early Branch, S.C.  
[\*\*] Term: **14 Years**  
[21] Appl. No.: **29/090,781**  
[22] Filed: **Jul. 16, 1998**  
[51] **LOC (7) Cl.** ..... **20-03**  
[52] **U.S. Cl.** ..... **D20/44**  
[58] **Field of Search** ..... 40/642.02, 584,  
40/649, 612, 611; D25/121, 123, 119, 125;  
D20/10, 40, 41, 42, 43, 44; 52/716.01,  
717.03, 717.04, 717.05, 717.06

D. 332,315 1/1993 Weinerman ..... D24/119  
D. 385,582 10/1997 McCracken ..... D20/42  
D. 395,456 6/1998 Ito et al. .... D20/42  
3,556,745 1/1971 Zaremski ..... D25/121  
5,461,836 10/1995 Yang ..... 52/716.01 X

*Primary Examiner*—Susan J. Lucas  
*Assistant Examiner*—J. Rivard  
*Attorney, Agent, or Firm*—Thorpe, North & Western

[57] **CLAIM**

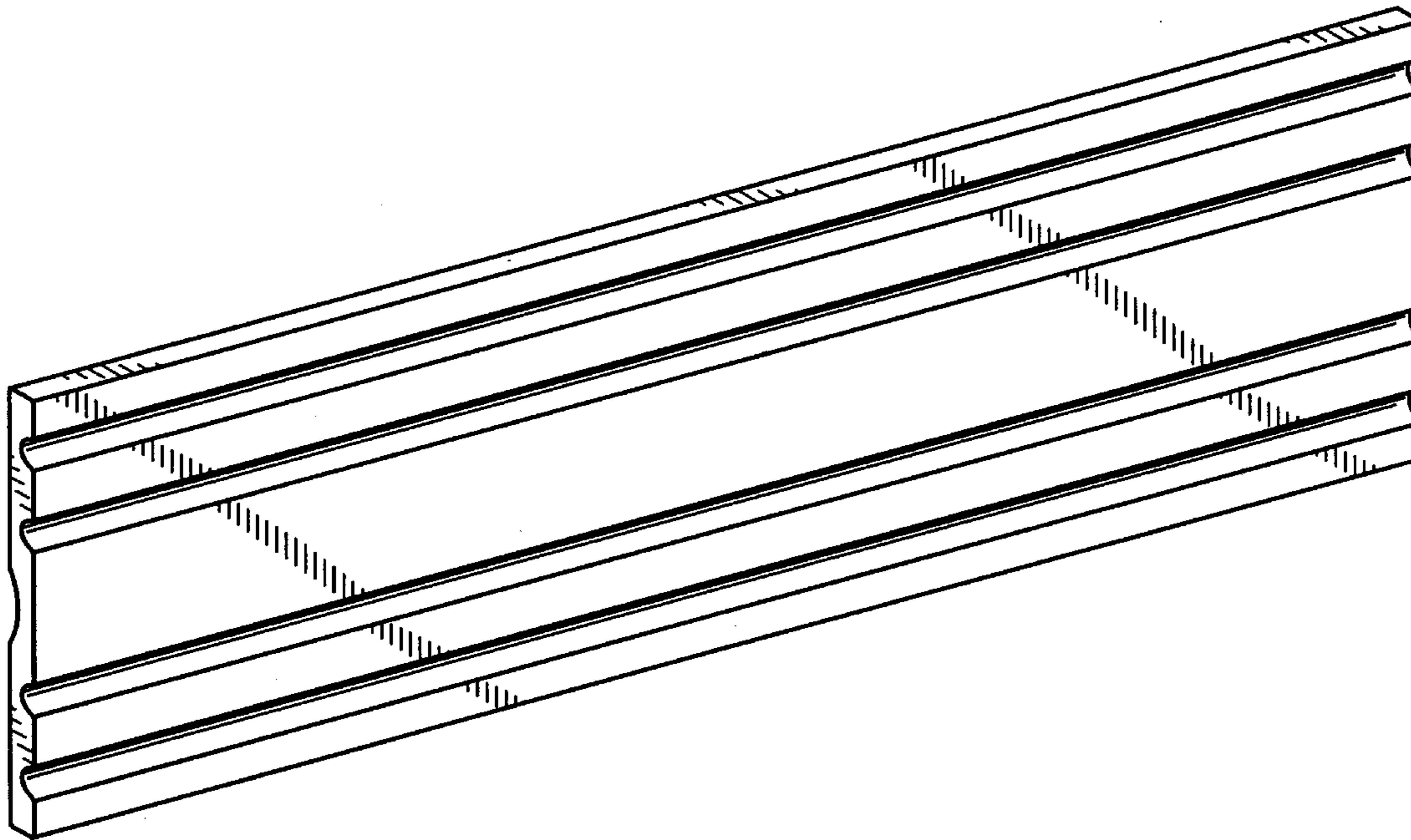
The ornamental design for a curb sign, as shown and described.

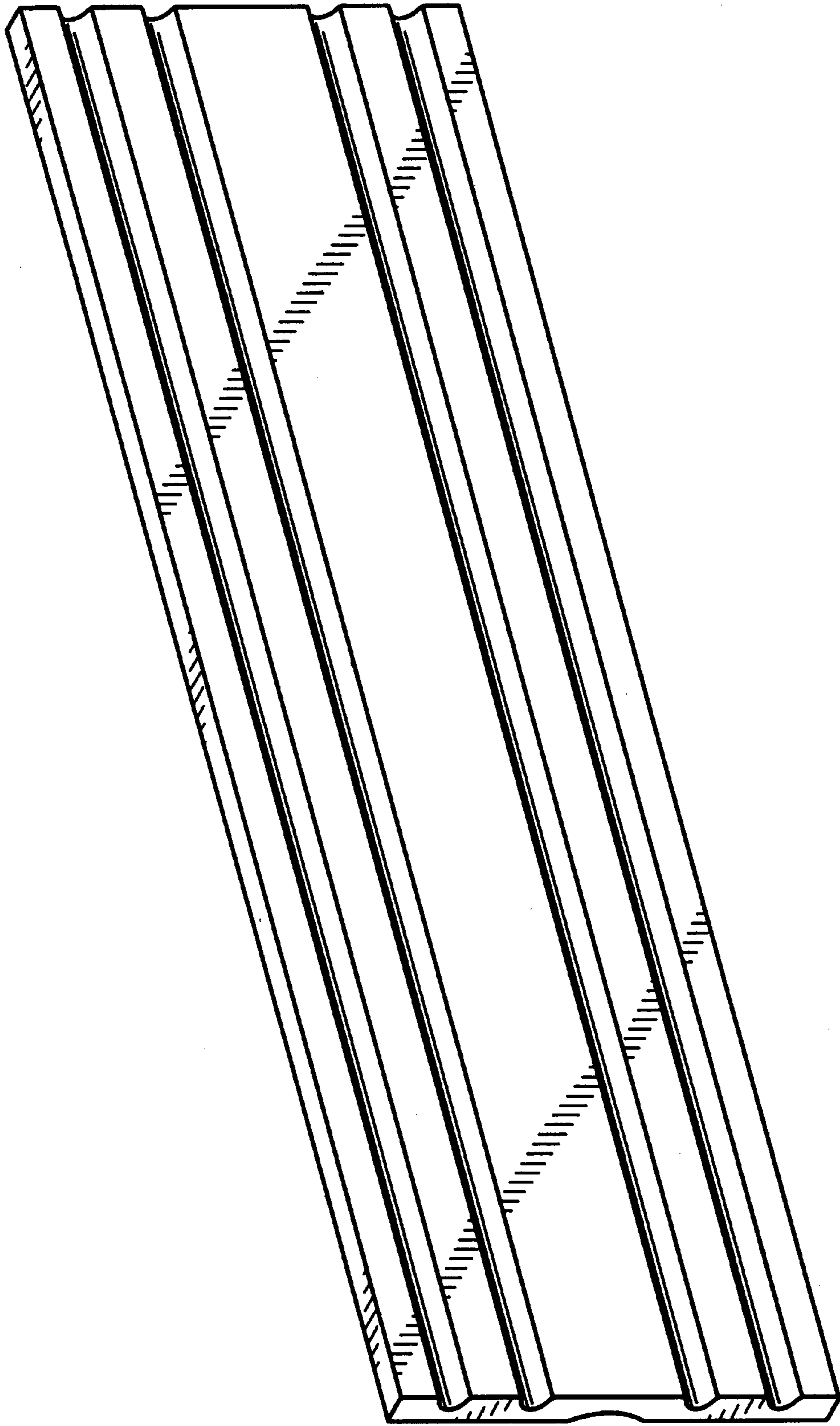
**DESCRIPTION**

FIG. 1 is an elevational perspective view of my invention and design;  
FIG. 2 is a front plan view of the design;  
FIG. 3 is an end view taken from the left side of FIG. 1, the right side being a mirror image of the left end view;  
FIG. 4 is a top plan view, the bottom view being a mirror image; and,  
FIG. 5 is a rear plan view.

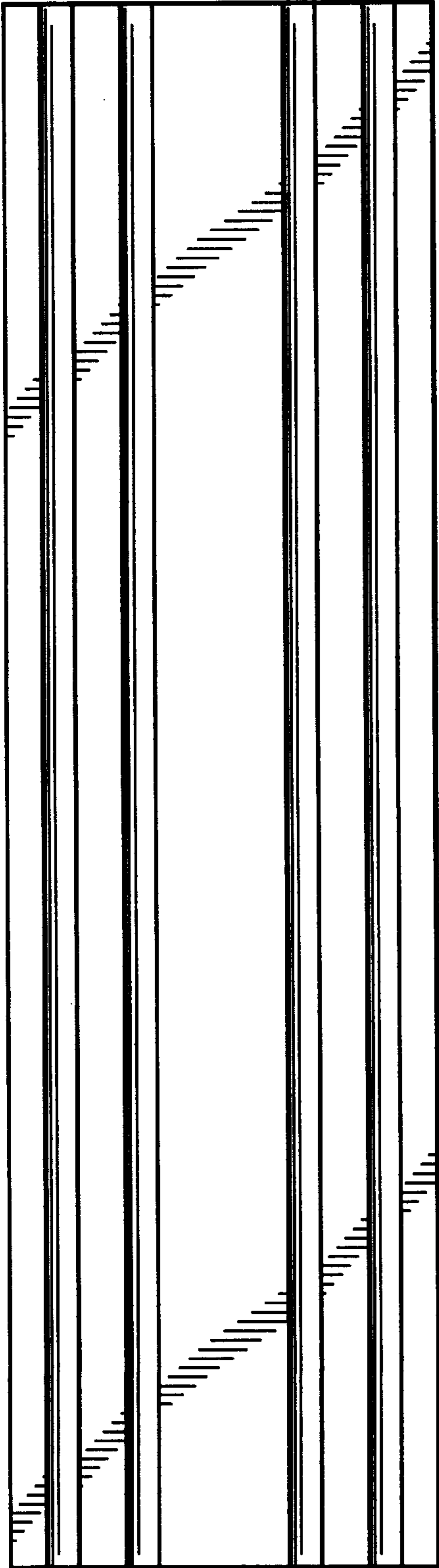
[56] **References Cited**  
**U.S. PATENT DOCUMENTS**  
D. 113,038 1/1939 Hunker ..... D25/125  
D. 161,748 1/1951 Greiling ..... D20/44  
D. 190,361 5/1961 Hopp ..... D20/44

**1 Claim, 3 Drawing Sheets**





**Fig. 1**



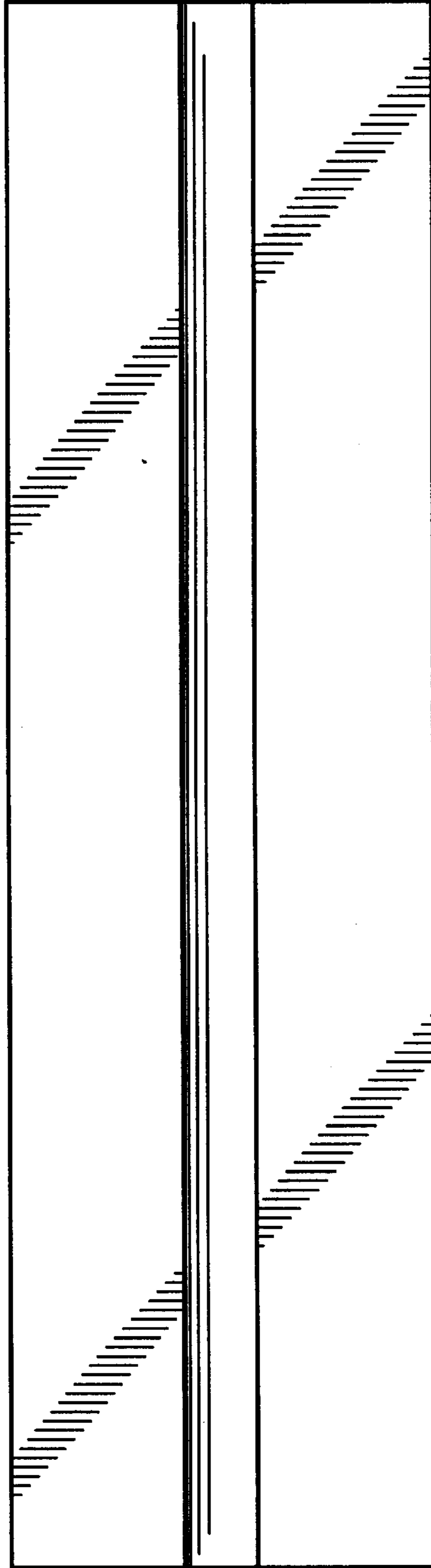
**Fig. 2**



**Fig. 3**



**Fig. 4**



**Fig. 5**