



US00D419192S

United States Patent [19] Huang

[11] Patent Number: Des. 419,192

[45] Date of Patent: ** Jan. 18, 2000

[54] MAGNET MEMO CLIP AND PEN HOLDER

2,858,539 11/1958 Carlson 24/546
4,085,848 4/1978 Tsuge 211/45
5,086,545 2/1992 Suzuki 24/67 R

[76] Inventor: Te-Ming Huang, 1F, No. 6, Lane 43,
Shui-Yuan Road, Taipei, Taiwan

[**] Term: 14 Years

Primary Examiner—Martie K. Holtje

[21] Appl. No.: 29/104,319

[57] CLAIM

[22] Filed: May 3, 1999

The ornamental design for magnet memo clip and pen holder, as shown and described.

[51] LOC (7) Cl. 19-02

DESCRIPTION

[52] U.S. Cl. D19/78; D19/83; D19/86;
D19/90

[58] Field of Search D19/65, 75, 77,
D19/78, 81-85, 86, 90, 91, 99, 100; D8/395;
211/45, 69.1-69.9, 89.01; 281/30; 248/316.3;
24/67 R, 67.1, 67.11, 546, 11 PP

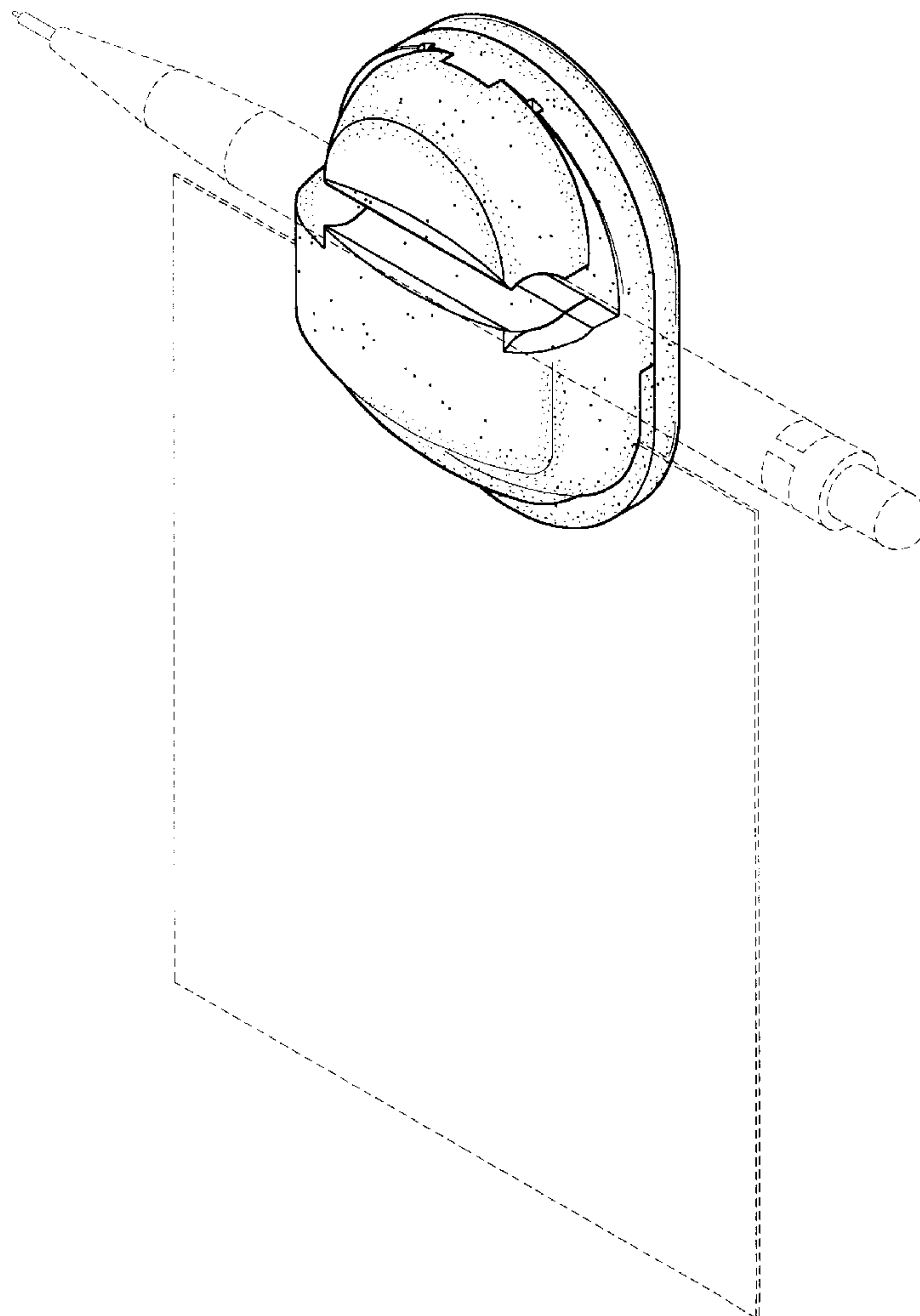
FIG. 1 is a perspective view of magnet memo clip and pen holder showing my new design;
FIG. 2 is a front elevational view thereof;
FIG. 3 is a rear elevational view thereof;
FIG. 4 is a left side elevational view thereof;
FIG. 5 is a right side elevational view thereof;
FIG. 6 is a top view thereof;
FIG. 7 is a bottom view thereof; and,
FIG. 8 is a second perspective view, the pen and sheet of paper depicted by means of broken lines have been shown for illustrative purposes only and form no part of the claimed design.

[56] References Cited

U.S. PATENT DOCUMENTS

D. 393,878 4/1998 Suzuki D19/65
D. 405,828 2/1999 Richter D19/65
637,889 11/1899 Parker et al. 281/30
803,464 10/1905 Beck 24/11 PP
2,231,883 2/1941 Caccivio 248/316.3

1 Claim, 5 Drawing Sheets



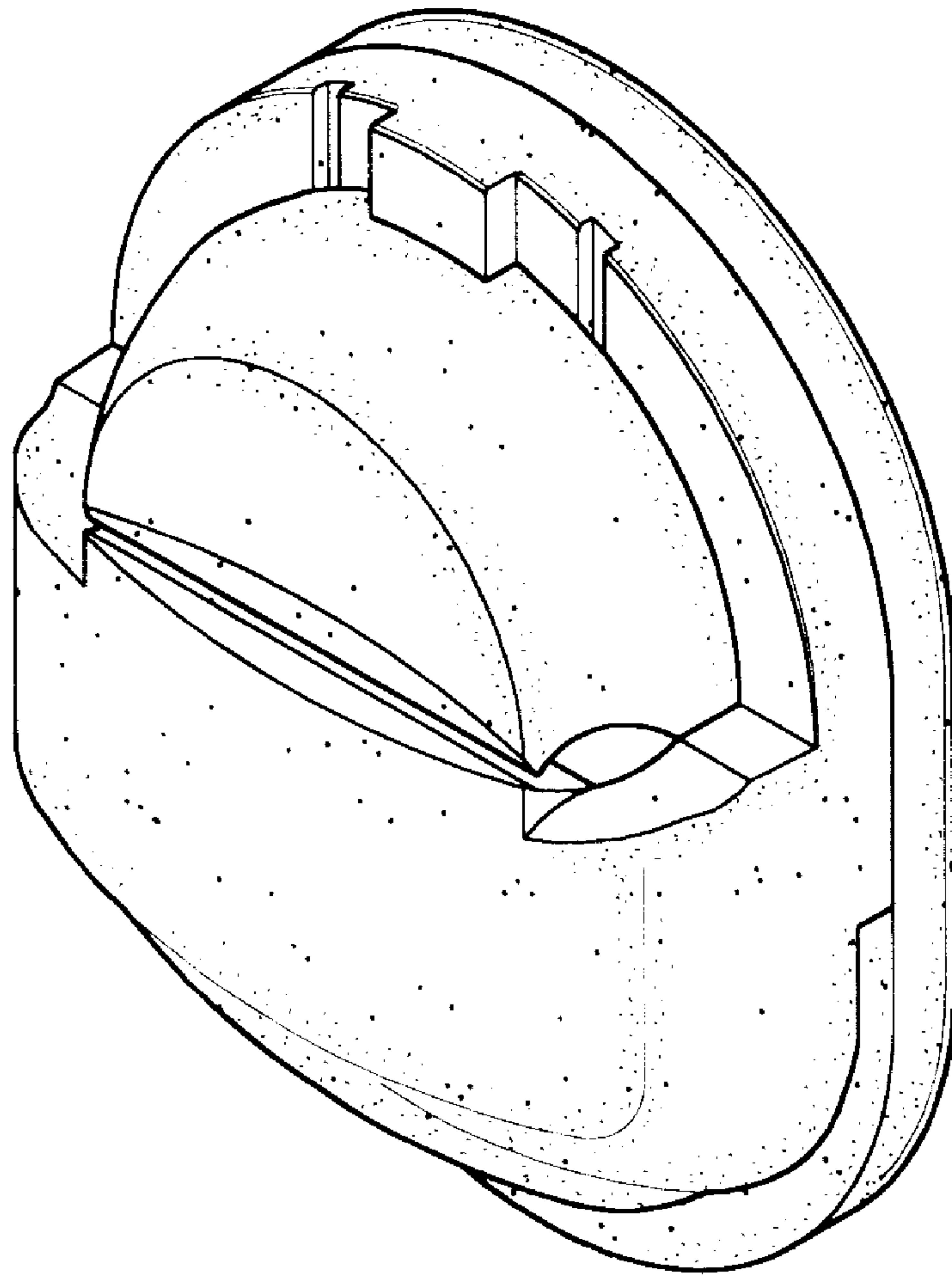


FIG. 1

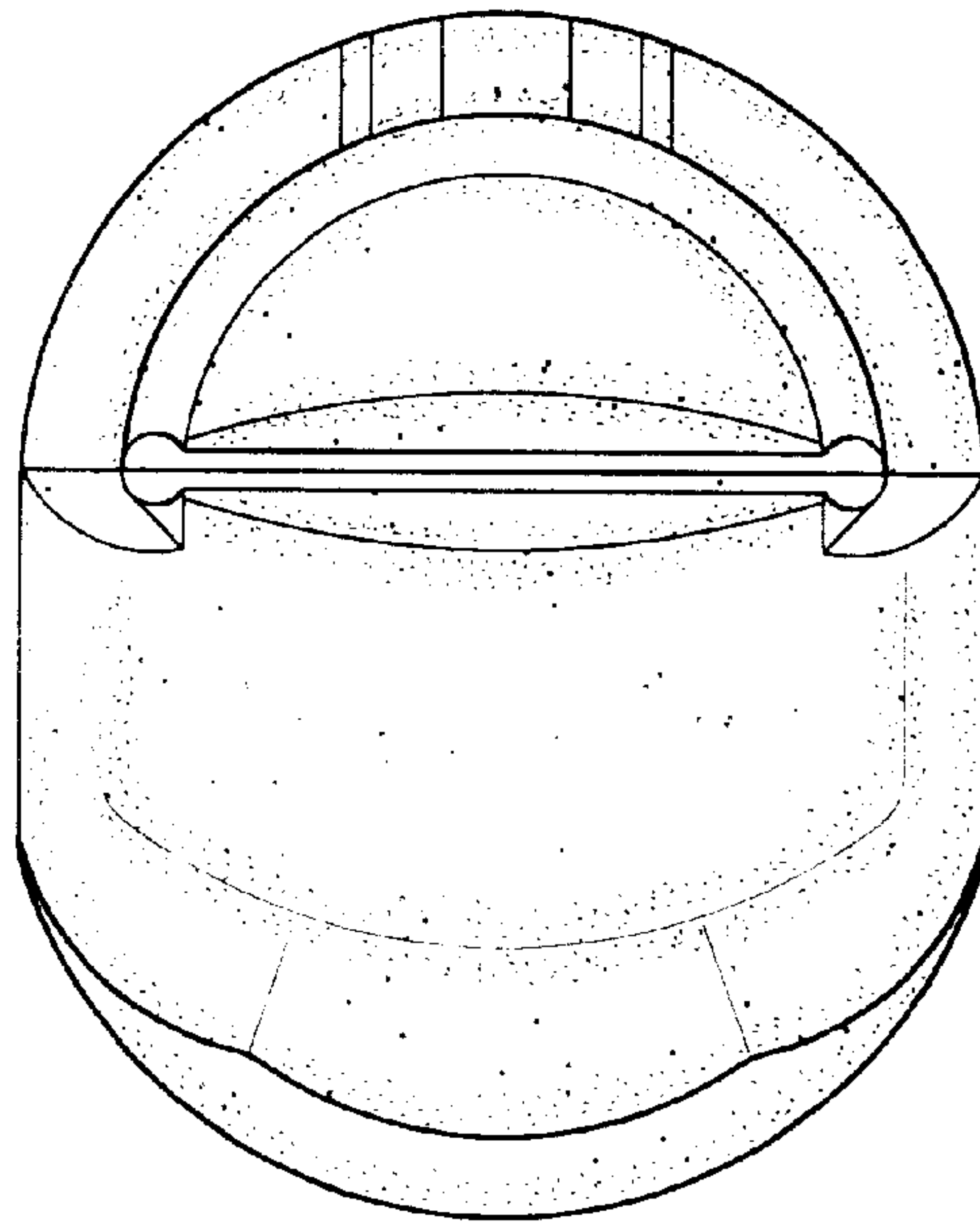


FIG. 2

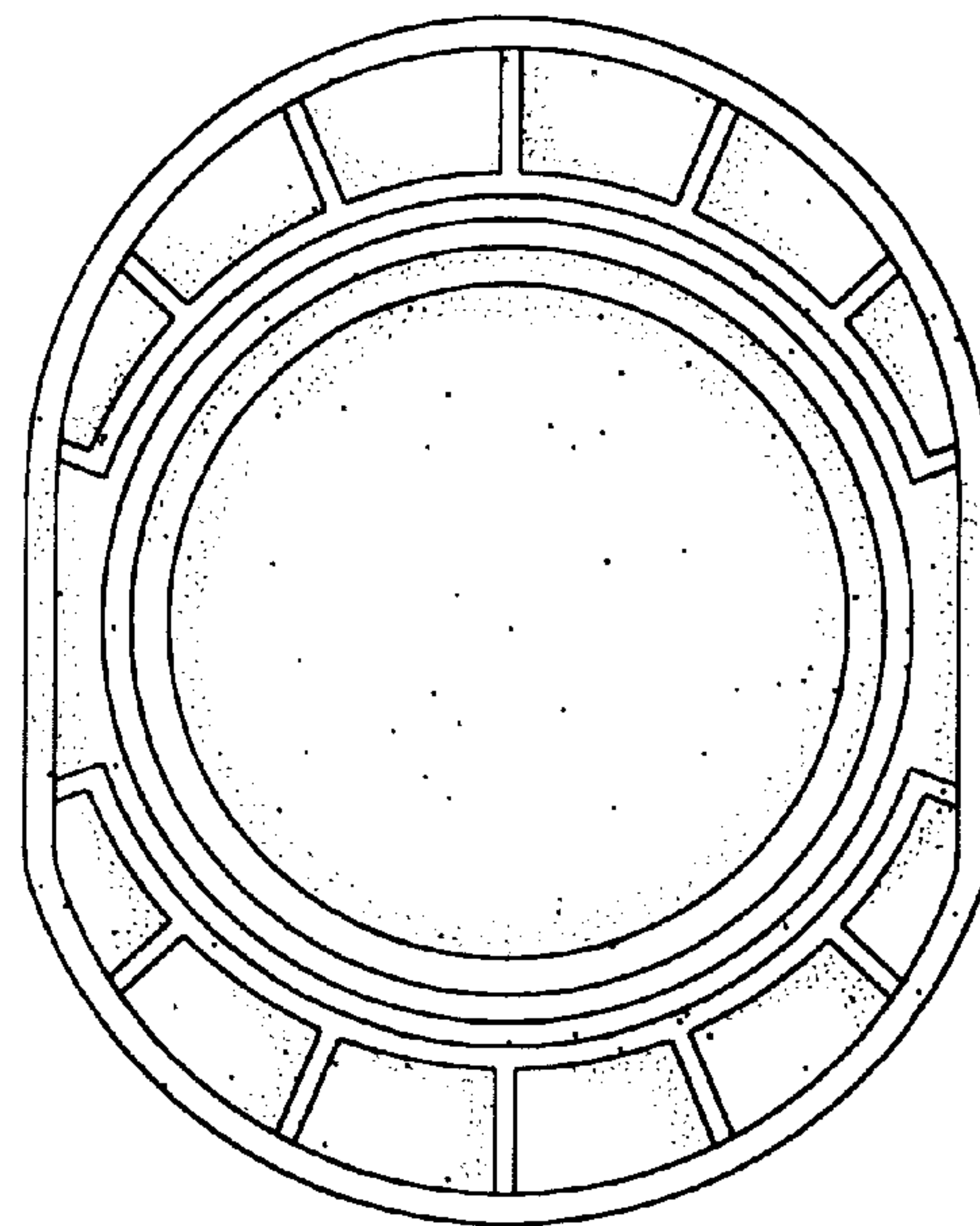


FIG. 3

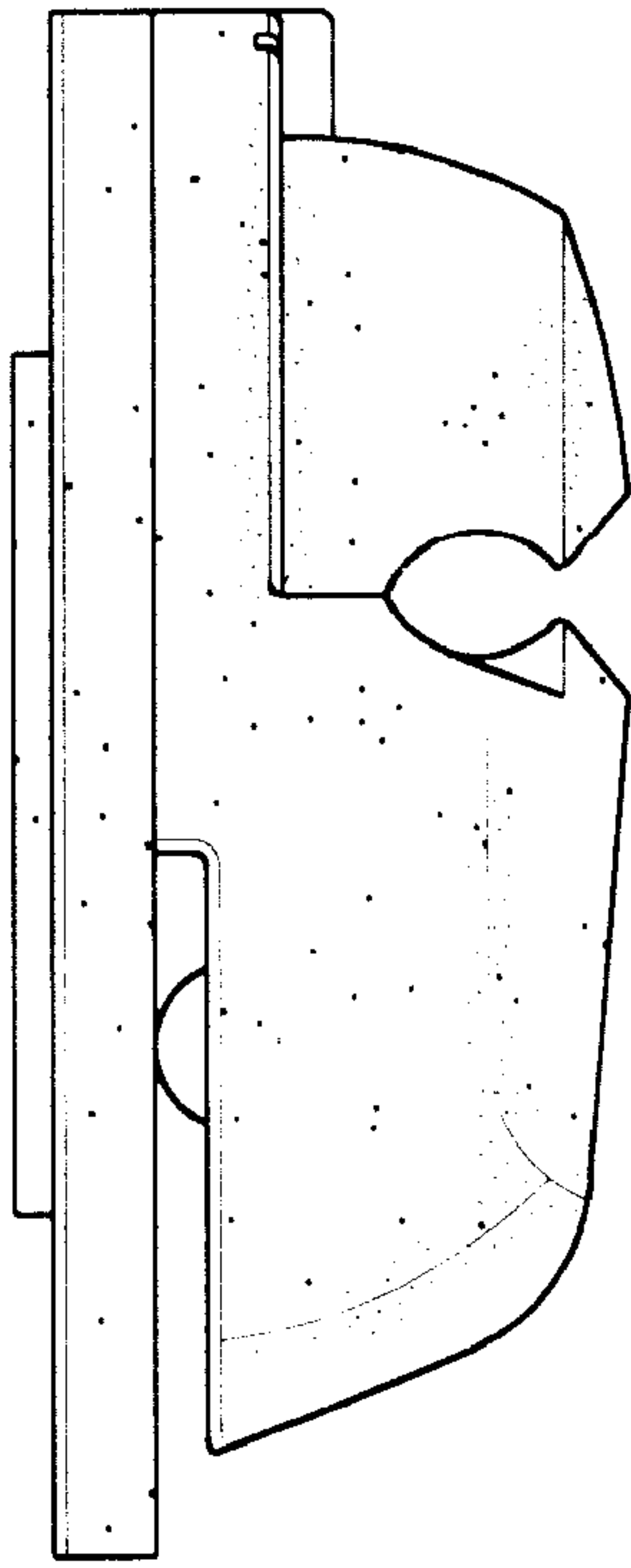


FIG. 4

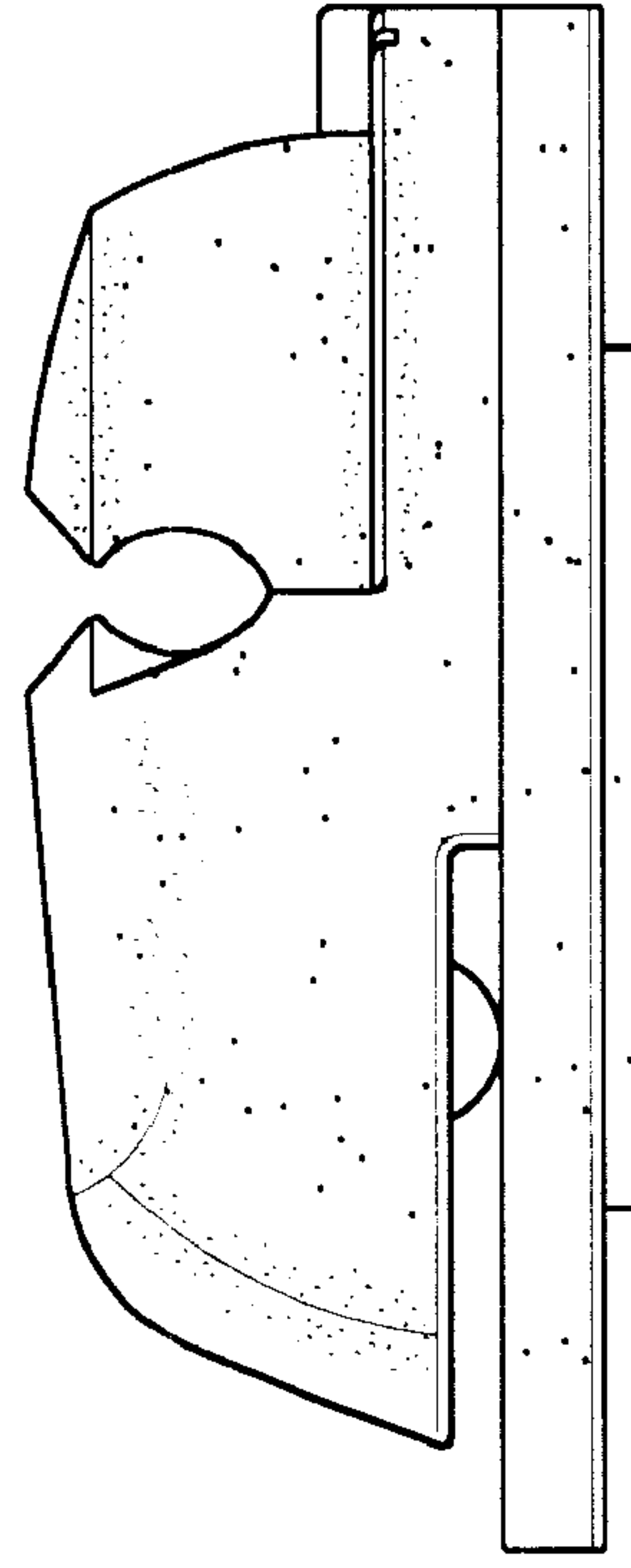


FIG. 5

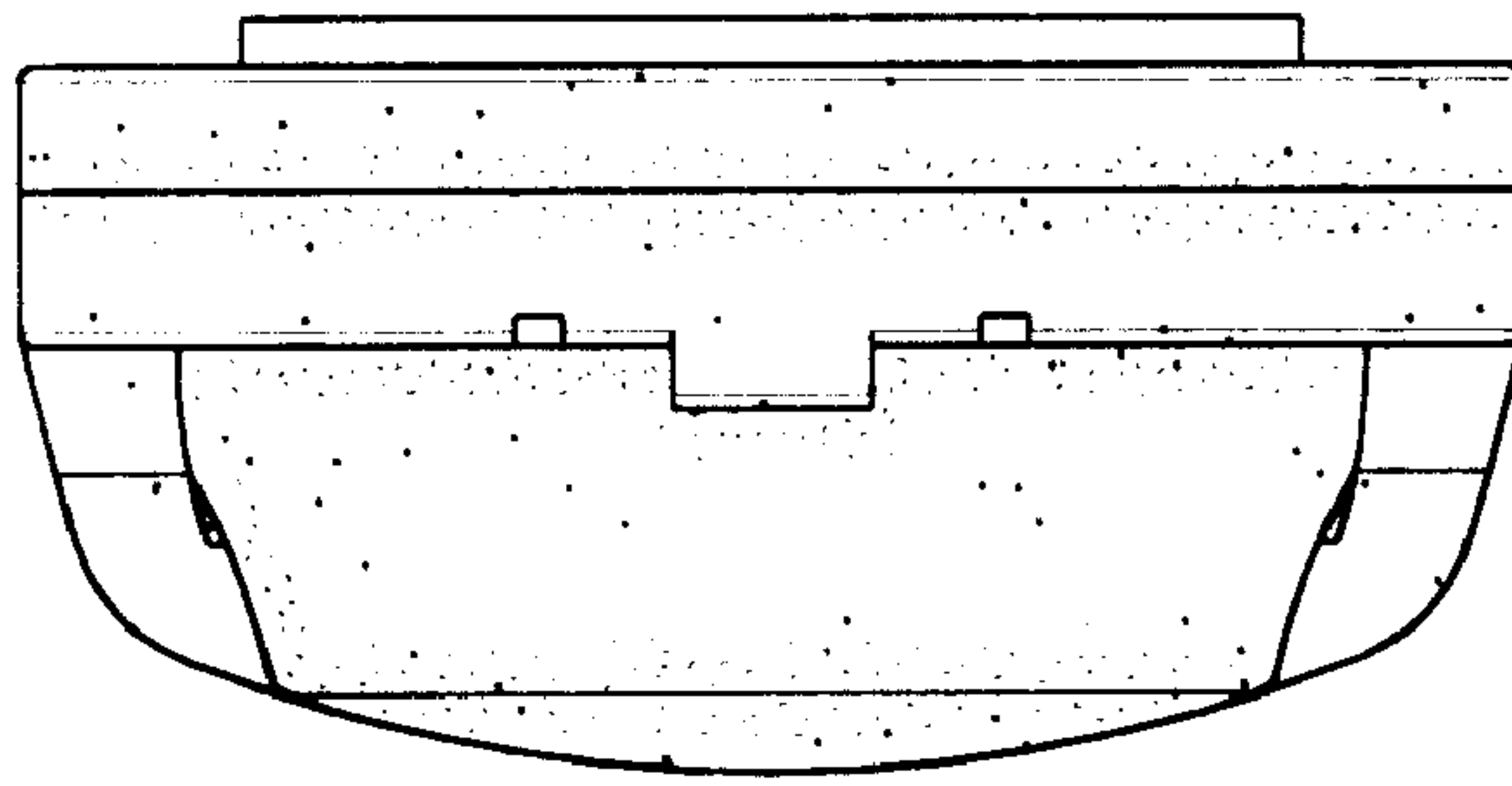


FIG. 6

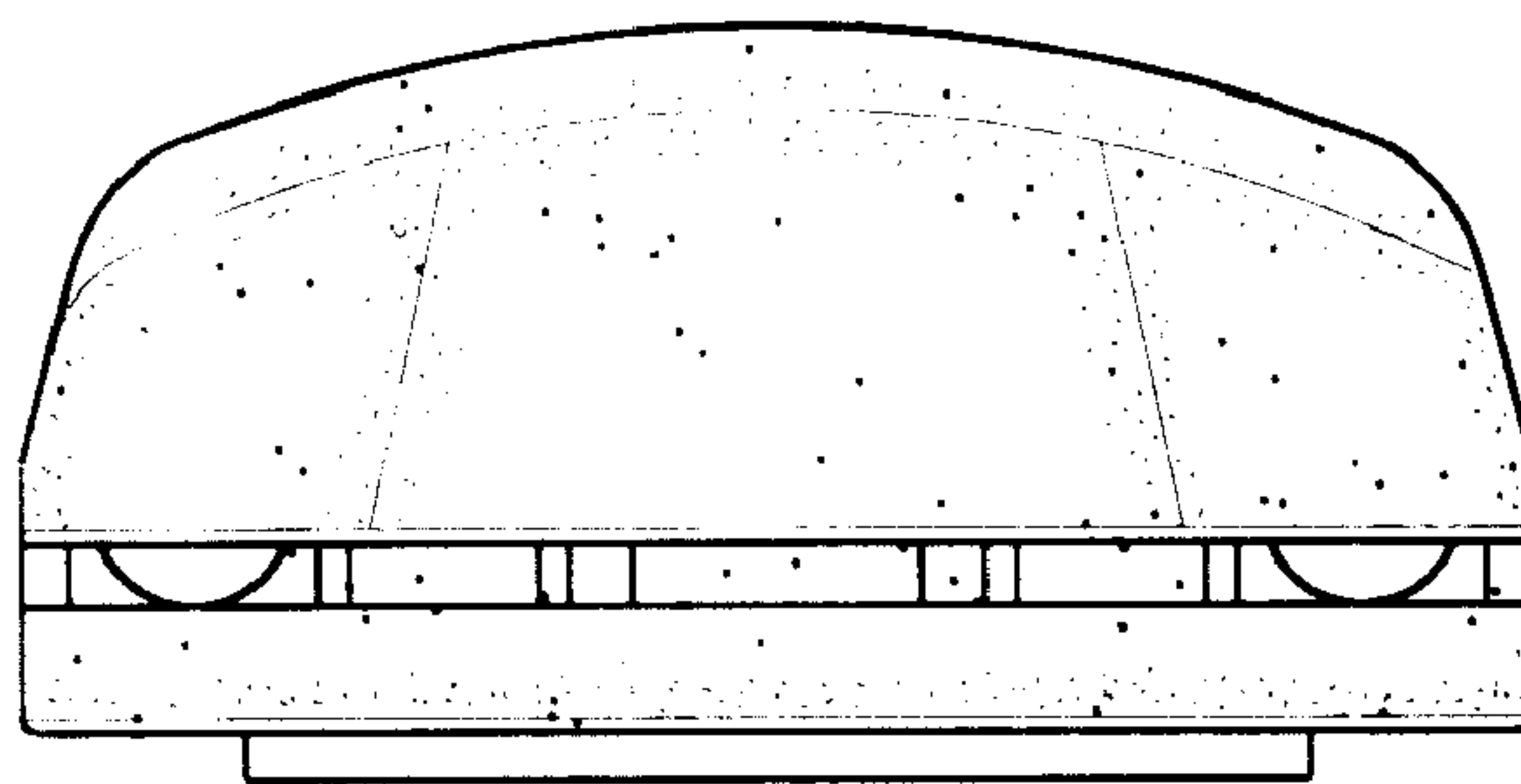


FIG. 7

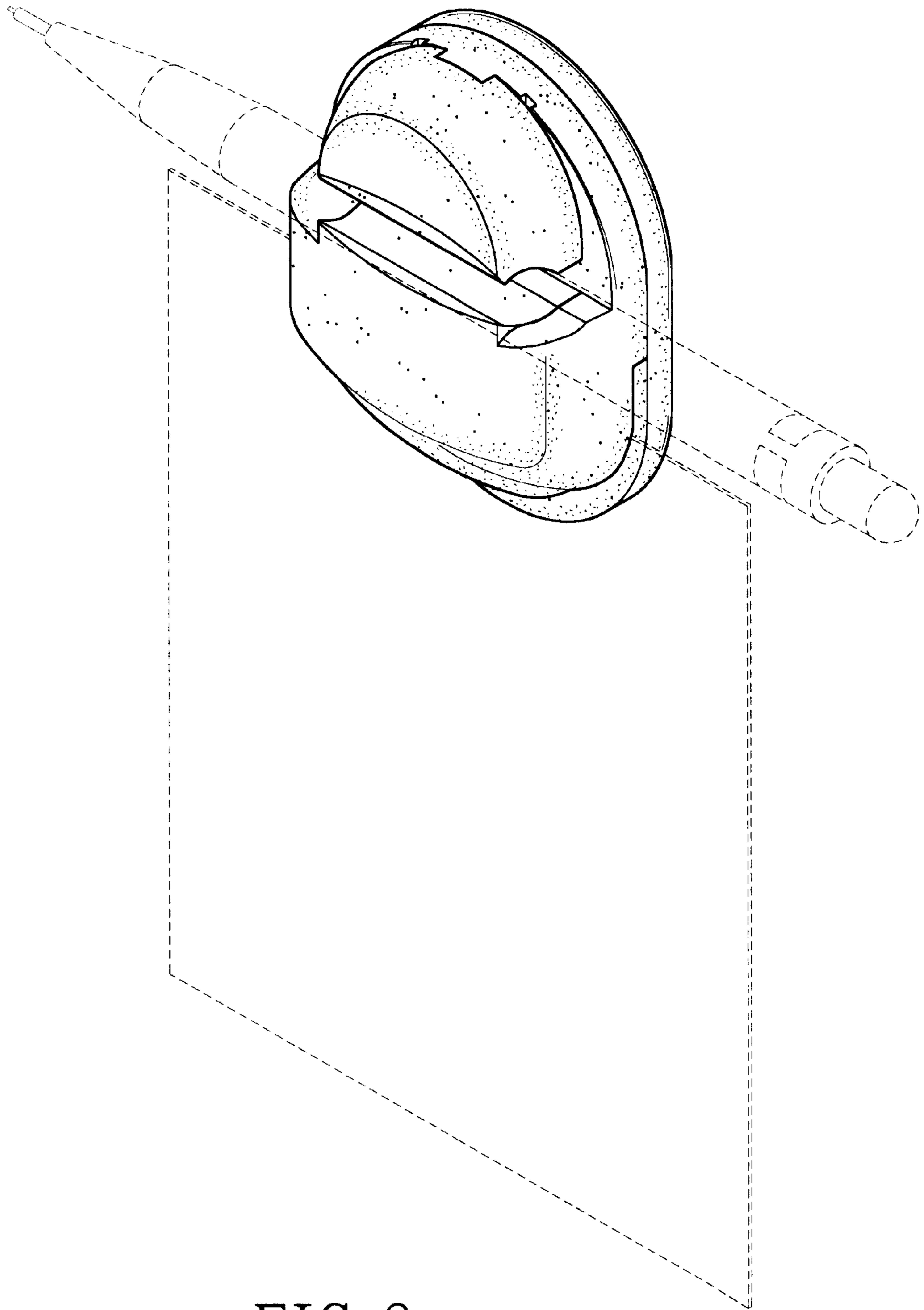


FIG. 8