



US00D419190S

United States Patent [19] Mak

[11] **Patent Number: Des. 419,190**

[45] **Date of Patent: ** Jan. 18, 2000**

[54] **TOY DRAWING BOARD**

[75] Inventor: **Kai-Shun Mak**, Kwai Chung, The Hong Kong Special Administrative Region of the People's Republic of China

[73] Assignee: **Hop Lee Cheong Industrial Company Ltd.**, Hong Kong, The Hong Kong Special Administrative Region of the People's Republic of China

[**] Term: **14 Years**

[21] Appl. No.: **29/099,625**

[22] Filed: **Jan. 25, 1999**

[51] **LOC (7) Cl.** **19-06**

[52] **U.S. Cl.** **D19/52; D19/35; D21/398**

[58] **Field of Search** **D21/398; D19/35, D19/36, 52, 65, 78, 86, 81-85, 90, 91, 99, 100; 434/81, 84, 85, 87, 88, 90, 91, 98, 408, 415, 416, 422**

[56] **References Cited**

U.S. PATENT DOCUMENTS

D. 359,984 7/1995 Mak D19/52

D. 385,857 11/1997 Cohen et al. D19/35 X
491,160 2/1893 Cross 434/85
1,041,435 10/1912 Cross 434/85
4,669,984 6/1987 Jones et al. 434/85
5,163,846 11/1992 Lee 434/81 X

Primary Examiner—Martie K. Holtje
Attorney, Agent, or Firm—Samuels, Gauthier & Stevens

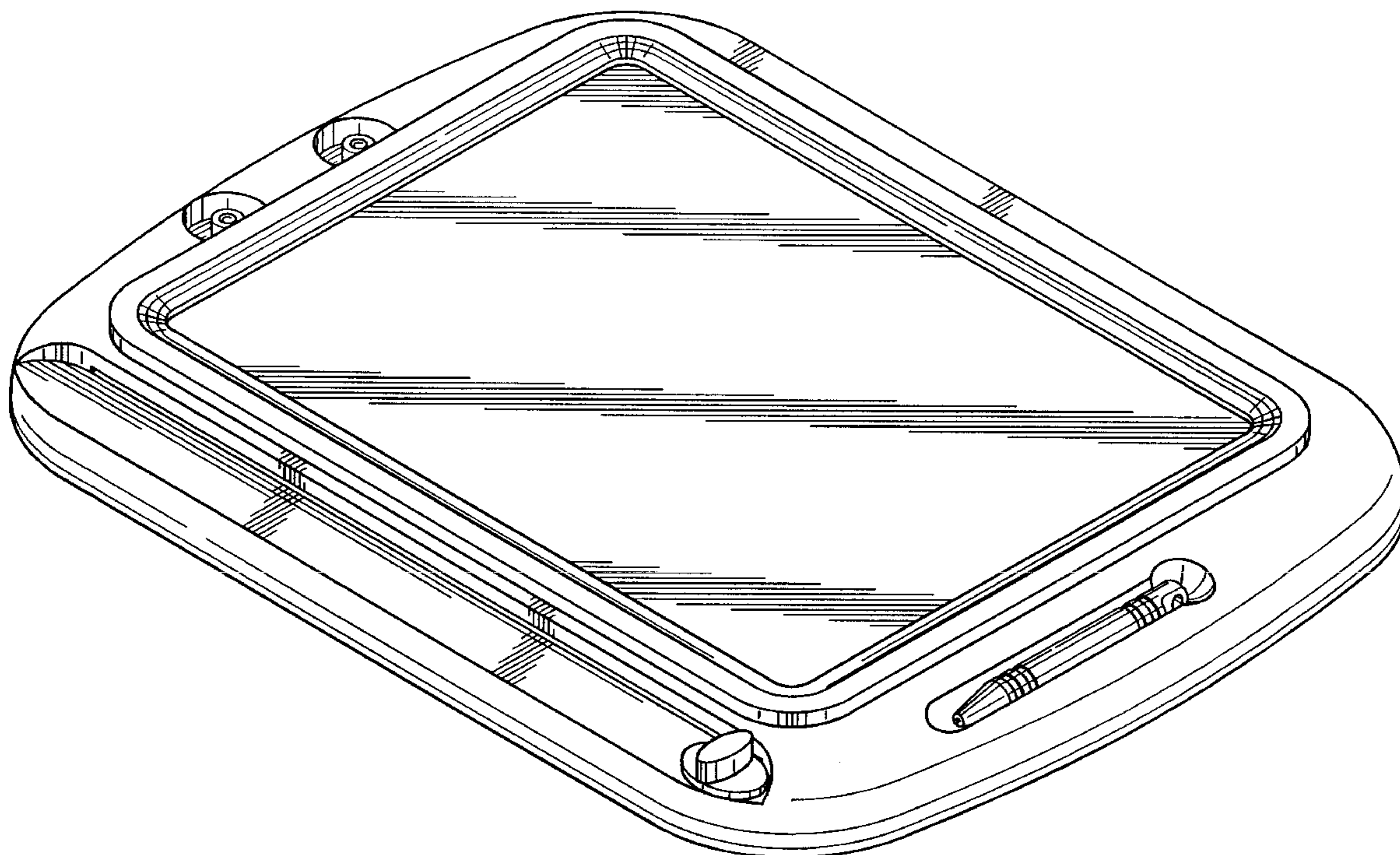
[57] **CLAIM**

The ornamental design for a “toy drawing board,” as shown and described.

DESCRIPTION

FIG. 1 is the front perspective view showing my new design;
FIG. 2 is the front view thereof;
FIG. 3 is the rear view thereof;
FIG. 4 is the left-hand view thereof;
FIG. 5 is the right-hand view thereof;
FIG. 6 is the top view thereof; and,
FIG. 7 is the bottom view thereof.

1 Claim, 3 Drawing Sheets



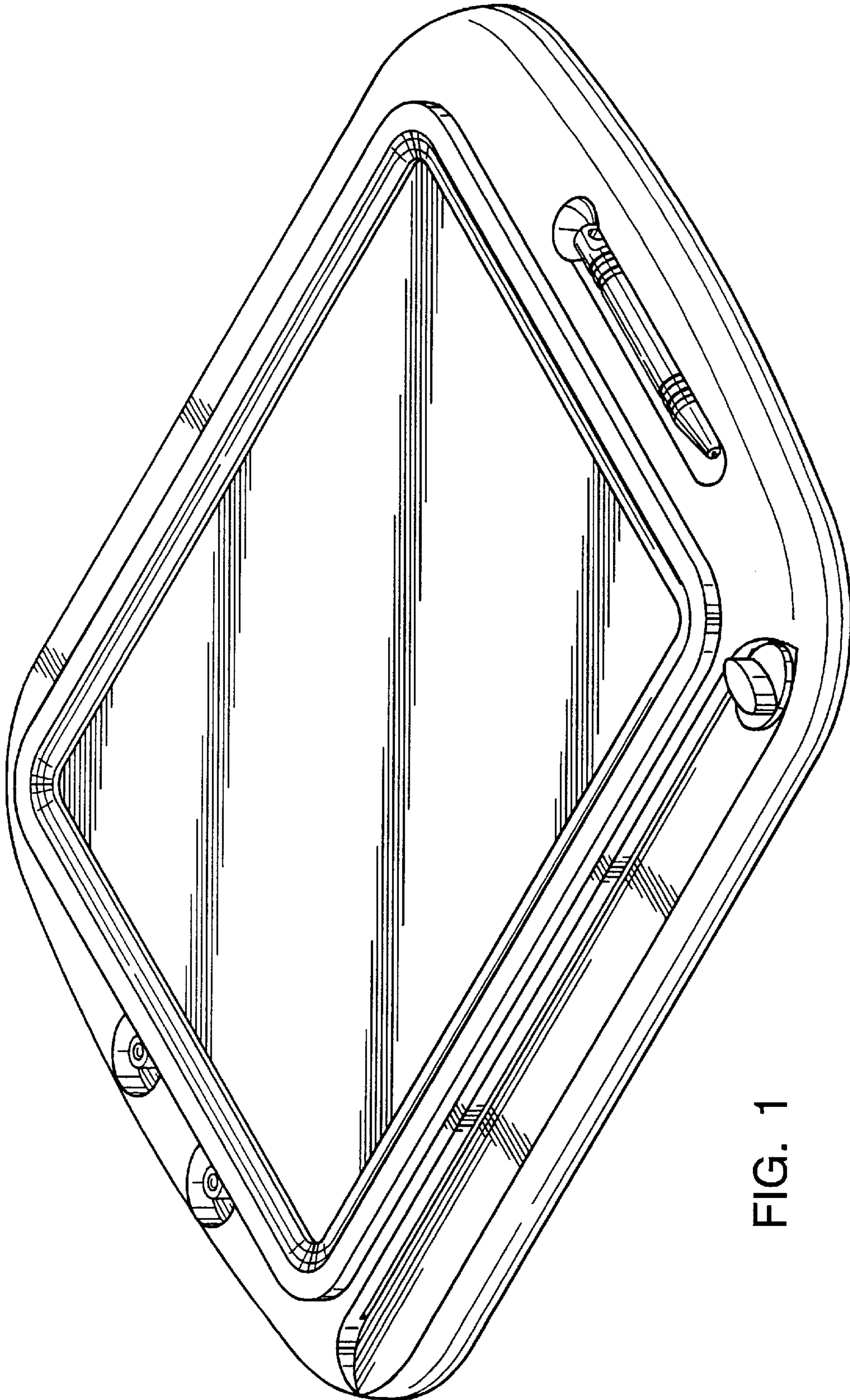


FIG. 1

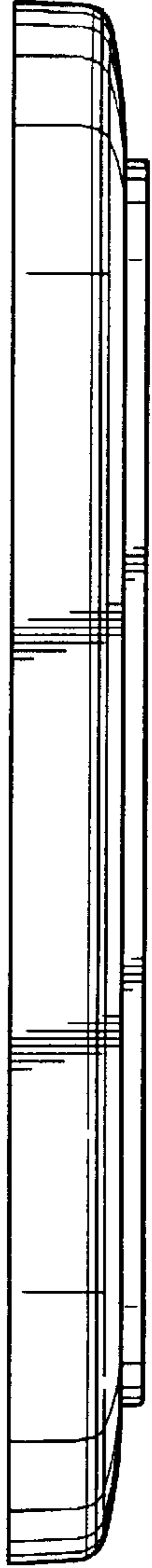


FIG. 4

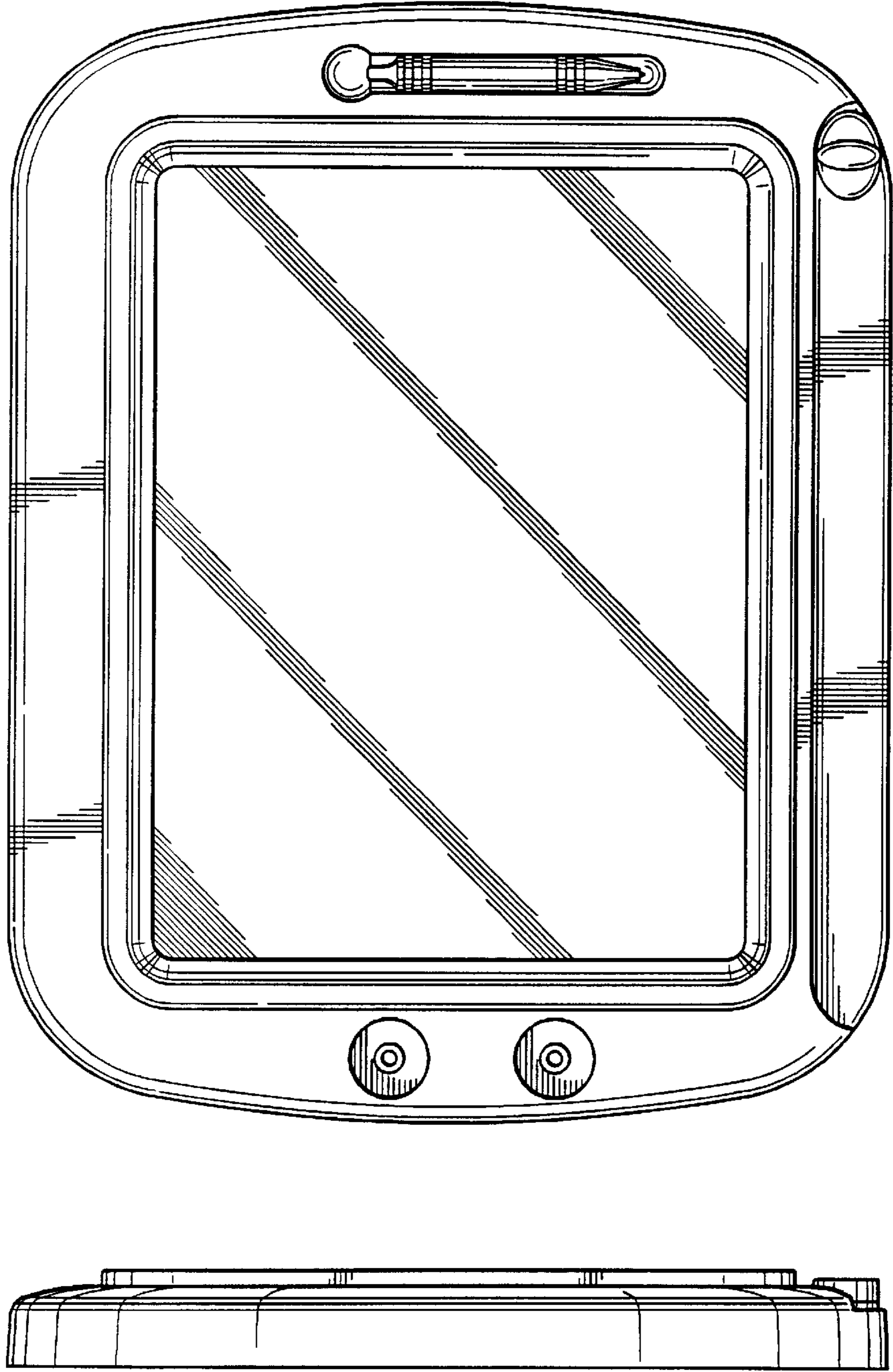


FIG. 2

FIG. 3

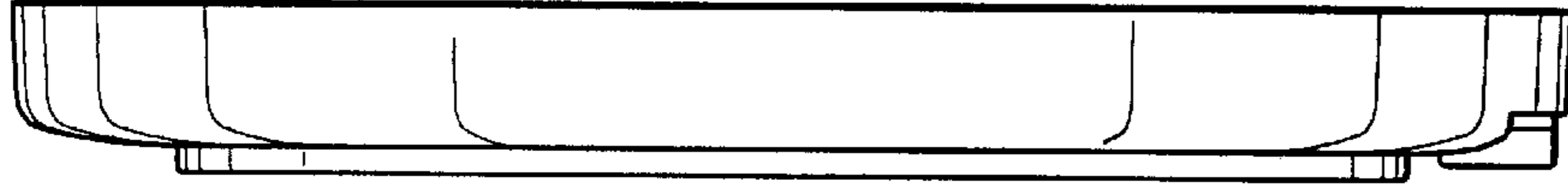


FIG. 6

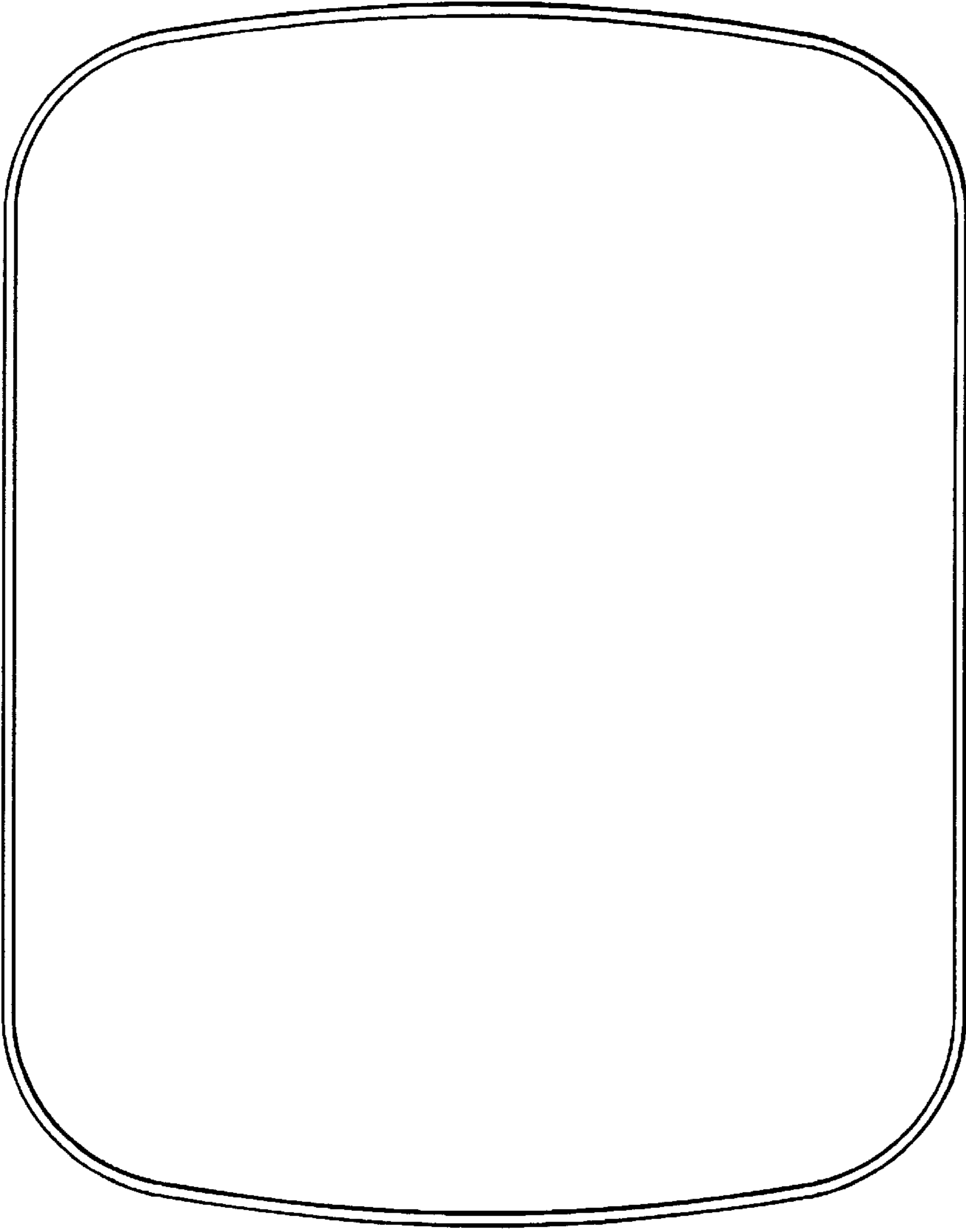


FIG. 5



FIG. 7