



US00D419187S

United States Patent [19] Chuang

[11] Patent Number: Des. 419,187

[45] Date of Patent: ** Jan. 18, 2000

[54] BUILDING BLOCK-TYPE WRITING IMPLEMENT

[75] Inventor: Cheng-hua Chuang, Taipei, Taiwan

[73] Assignee: Pioneer Industrial Corporation, Taipei, Taiwan

[**] Term: 14 Years

[21] Appl. No.: 29/094,487

[22] Filed: Oct. 2, 1998

[51] LOC (7) Cl. 19-06

[52] U.S. Cl. D19/36; D19/42; D19/49; D21/484

[58] Field of Search D19/35, 36, 41-51, D19/53-58, 81-85; D21/479, 484; 401/6, 7, 88, 52, 195, 209; 446/127, 77, 75

[56] References Cited

U.S. PATENT DOCUMENTS

D. 286,168	10/1986	Mazzoleni	D21/484
D. 290,851	7/1987	Yoshida	D19/41
2,020,562	11/1935	Miller	446/127
2,584,908	2/1952	Oblinger	401/195 X
3,846,866	11/1974	Burnett	401/195 X
4,983,062	1/1991	Hour	401/195
5,281,039	1/1994	Hsiung et al.	401/195
5,584,195	12/1996	Liu	401/6 X

Primary Examiner—Martie K. Holtje

Attorney, Agent, or Firm—Burns, Doane, Swecker & Mathis, L.L.P.

[57] CLAIM

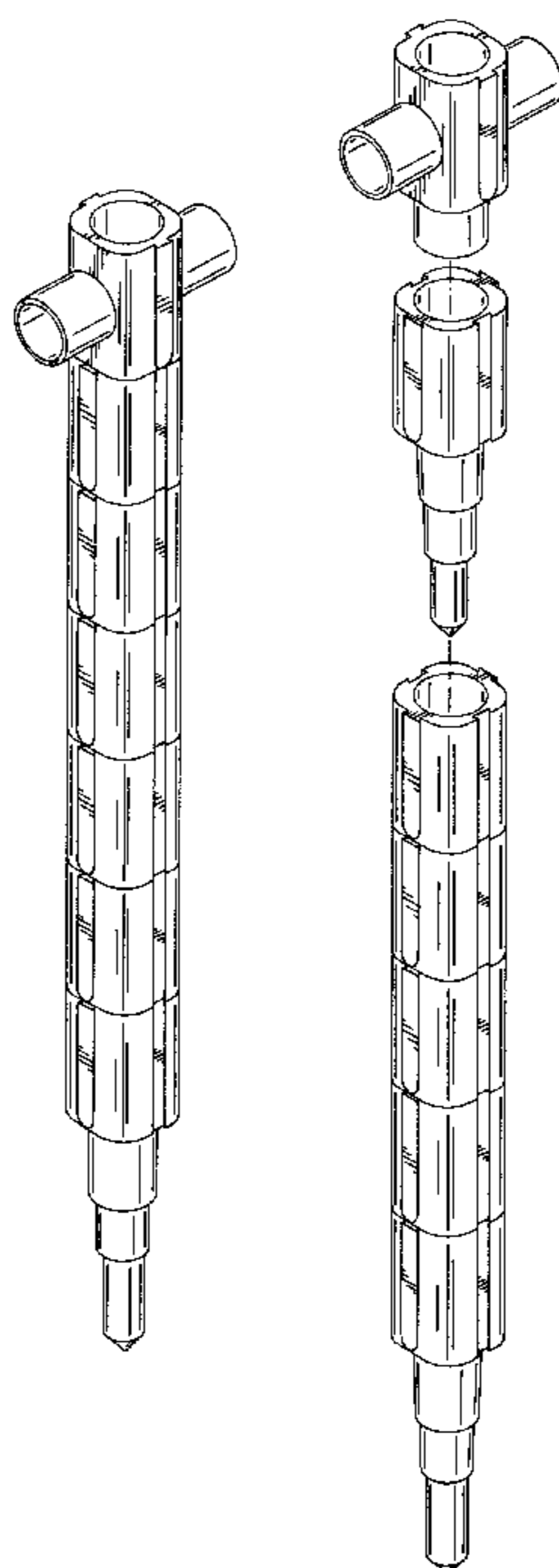
The ornamental design for a building block-type writing implement, as shown and described.

DESCRIPTION

FIG. 1 is a perspective view of a building block-type writing implement, showing my new design;
 FIG. 2 is a front elevational view thereof; the rear elevational view thereof being symmetrical;
 FIG. 3 is a right side elevational view thereof; the left side elevational view thereof being symmetrical;
 FIG. 4 is a top plan view thereof;
 FIG. 5 is a bottom plan view thereof;
 FIG. 6 is a perspective view thereof in the partial exploded state;
 FIG. 7 is a front elevational view of one of the writing elements of my design, shown separately for ease of illustration, the rear thereof being symmetrical;
 FIG. 8 is a right side elevational view of FIG. 7, the left side thereof being symmetrical;
 FIG. 9 is a top plan view of FIG. 7;
 FIG. 10 is a bottom plan view of FIG. 7;
 FIG. 11 is a front elevational view of the T-connector portion of my design, shown separately for ease of illustration, the rear thereof being symmetrical;
 FIG. 12 is a right side elevational view of FIG. 11, the left side being symmetrical;
 FIG. 13 is a top plan view of FIG. 12;
 FIG. 14 is a bottom plan view of FIG. 12;
 FIG. 15 is a perspective view in an alternate configuration;
 FIG. 16 is a perspective view in a second alternate configuration; and,
 FIG. 17 is an exploded perspective view in a third alternate configuration.

The additional writing elements and T-connectors depicted by means of broken lines in FIGS. 15 through 17 have been shown for illustrative purposes only and form no part of the claimed design.

1 Claim, 8 Drawing Sheets



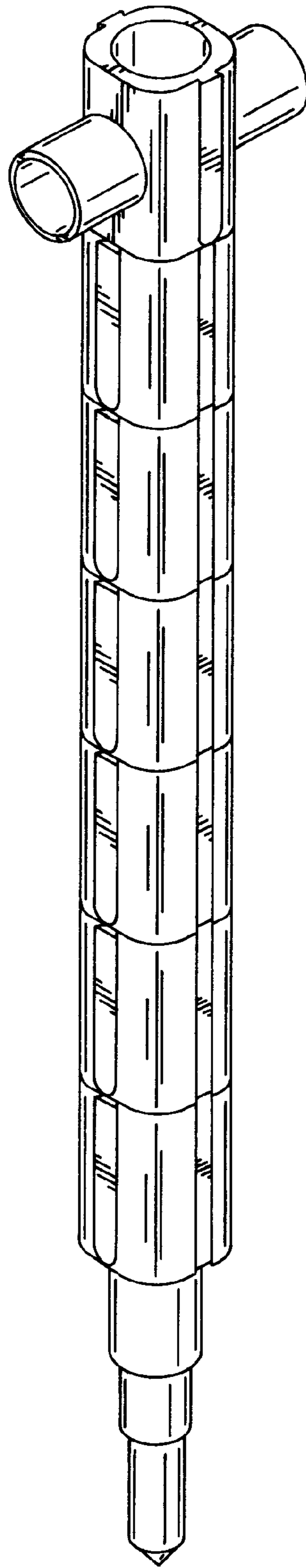


FIG. 1

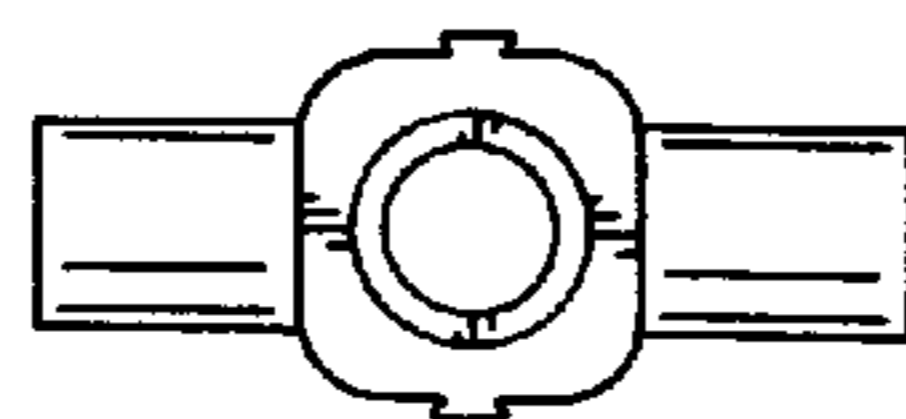


FIG. 5

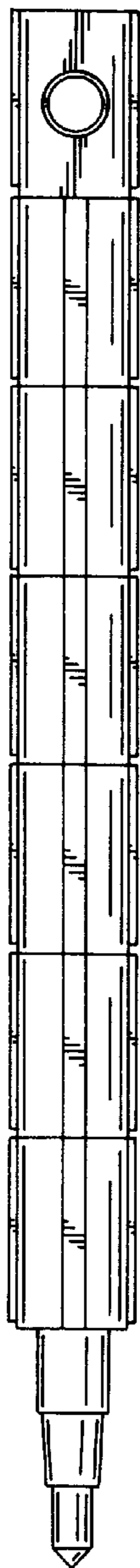


FIG. 3

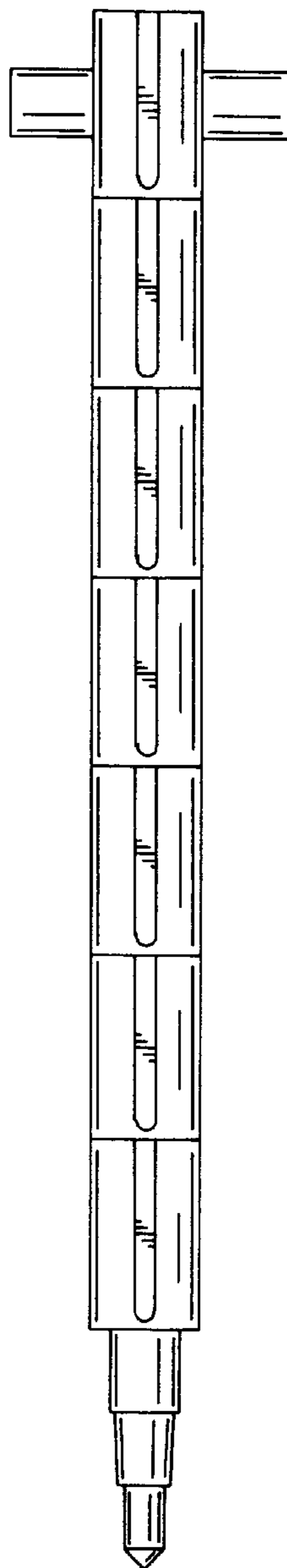


FIG. 2

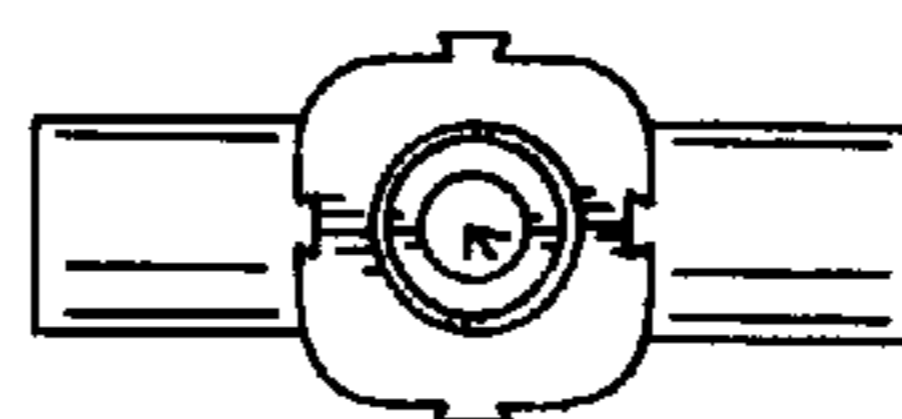


FIG. 4

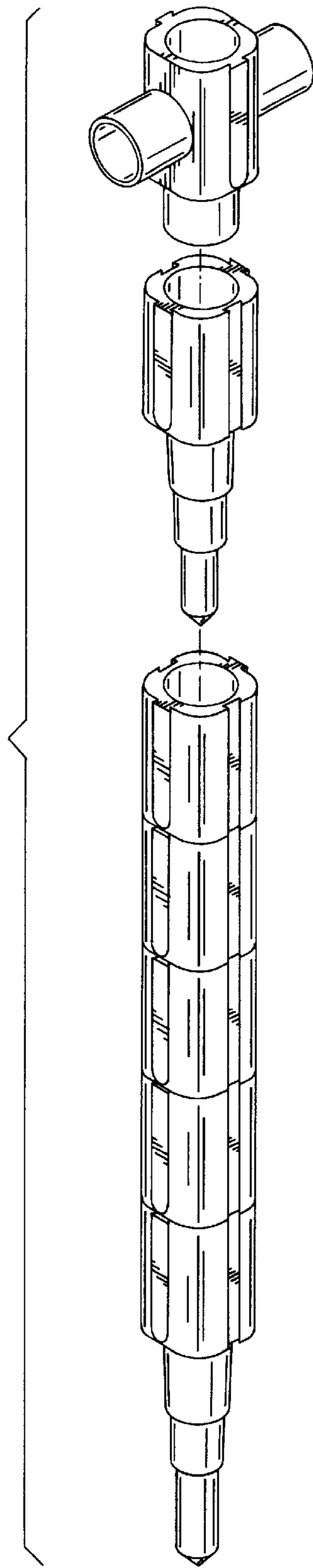


FIG. 6

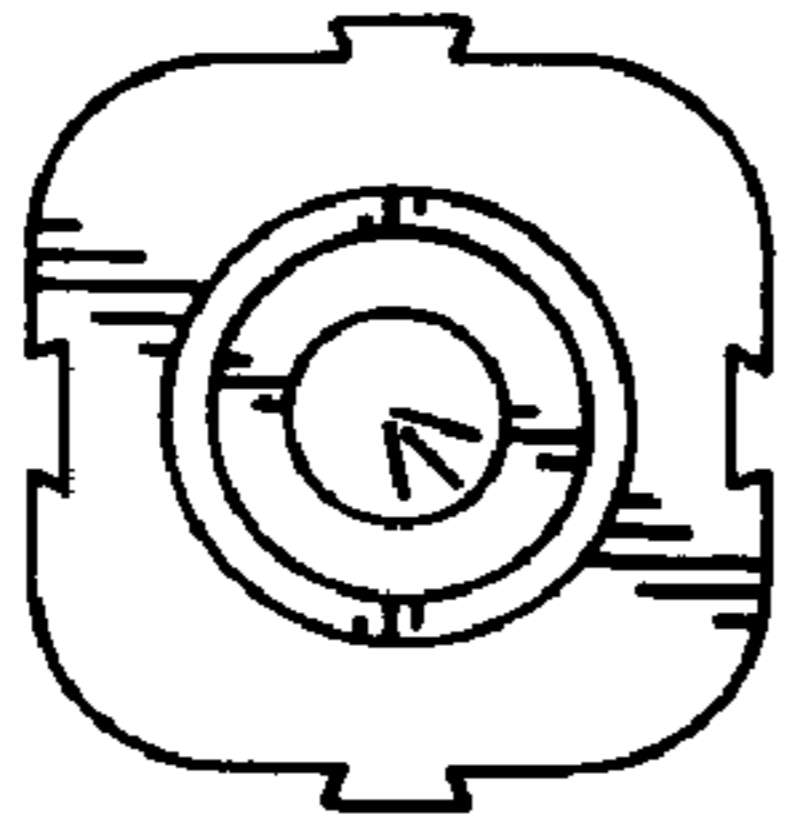


FIG. 9

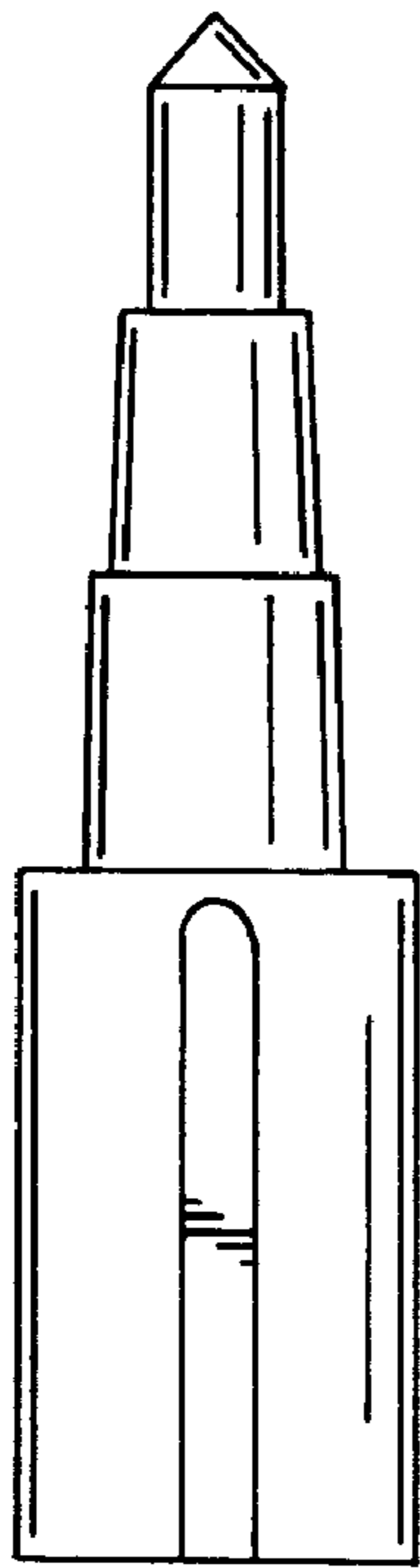


FIG. 7

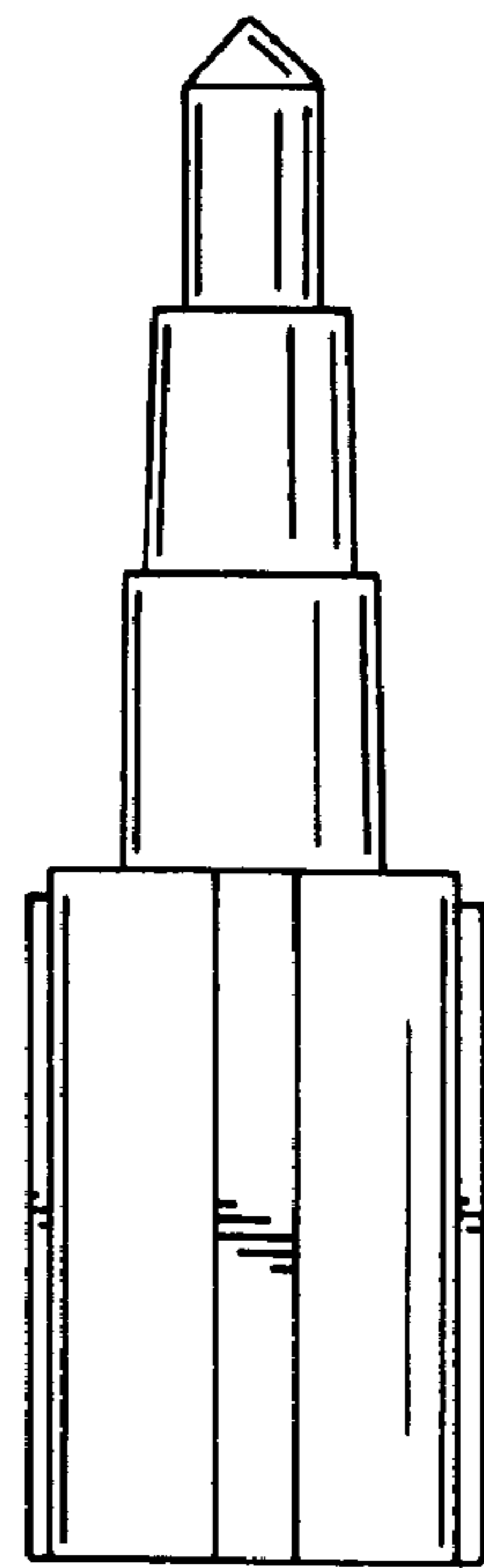


FIG. 8

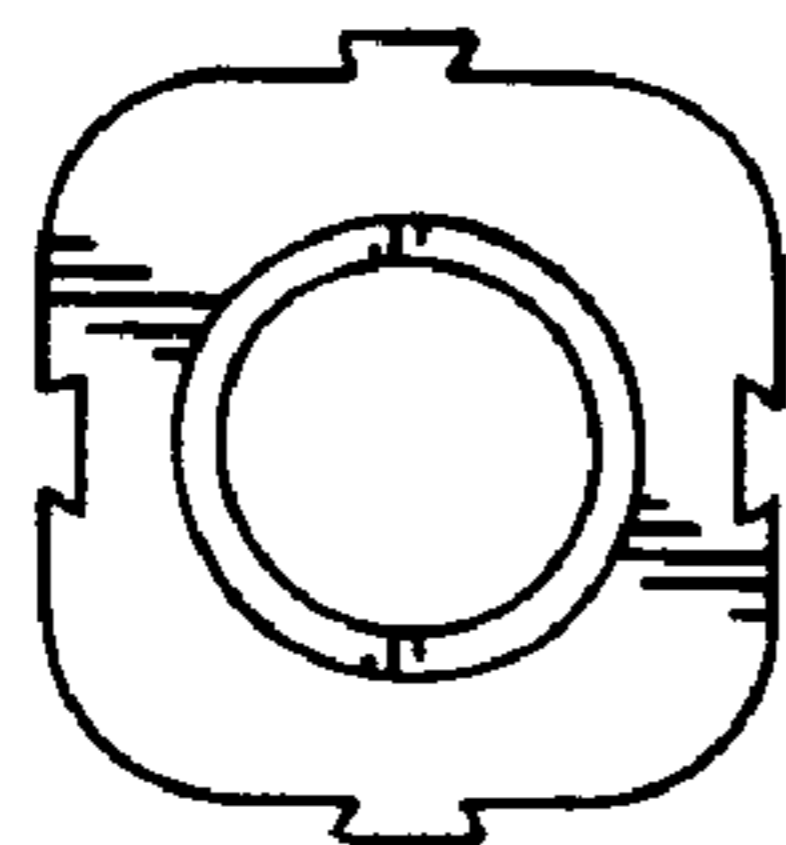


FIG. 10

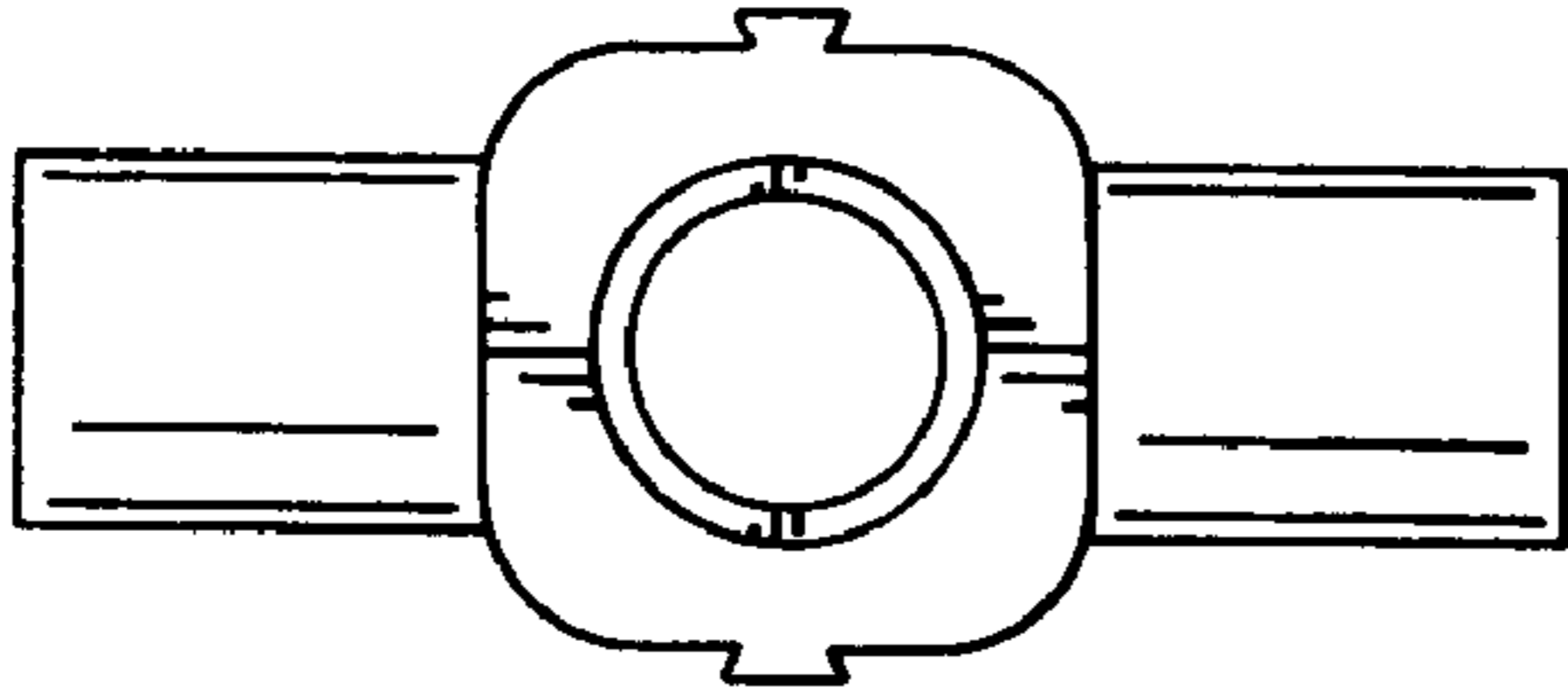


FIG. 13

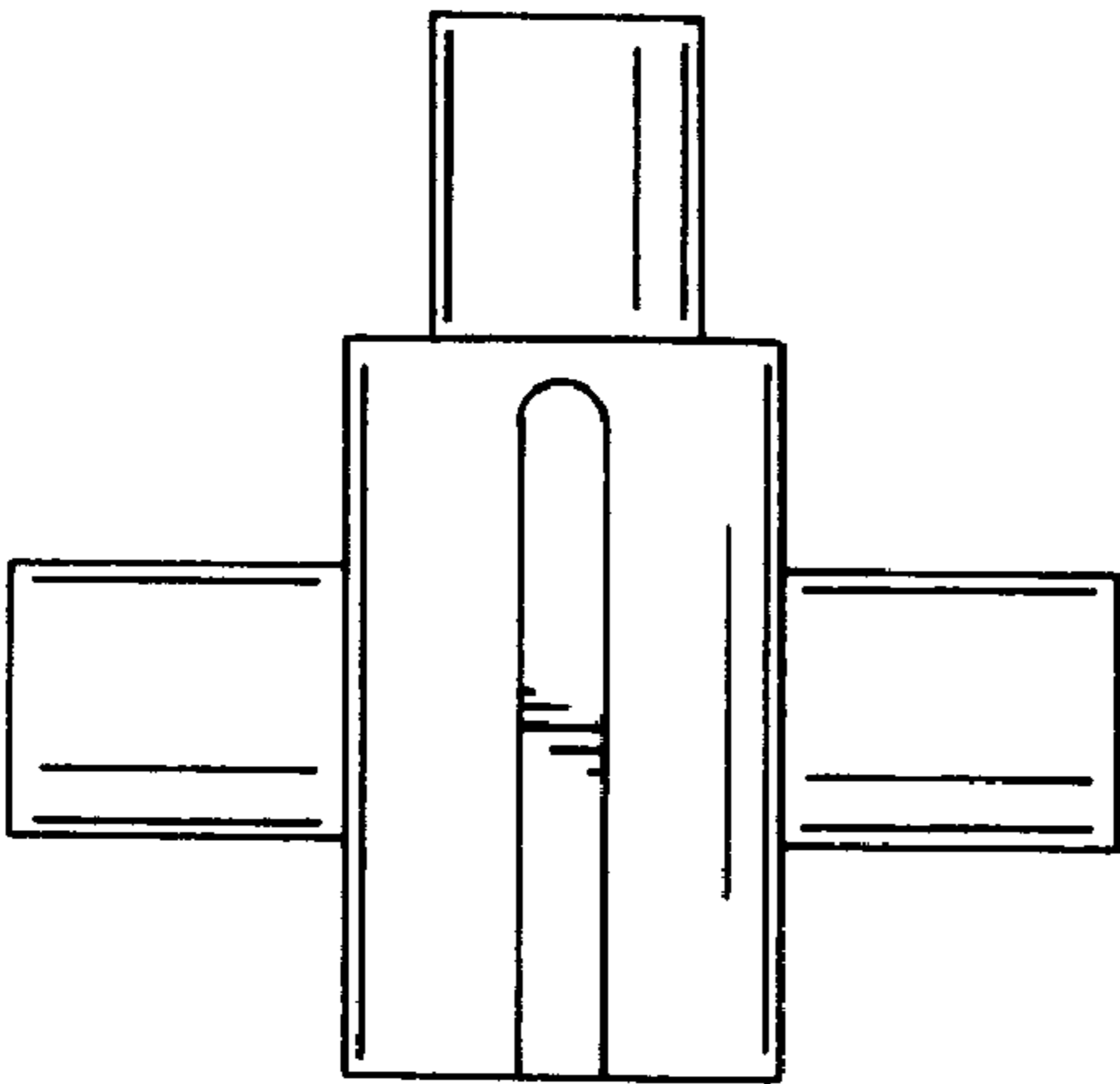


FIG. 11

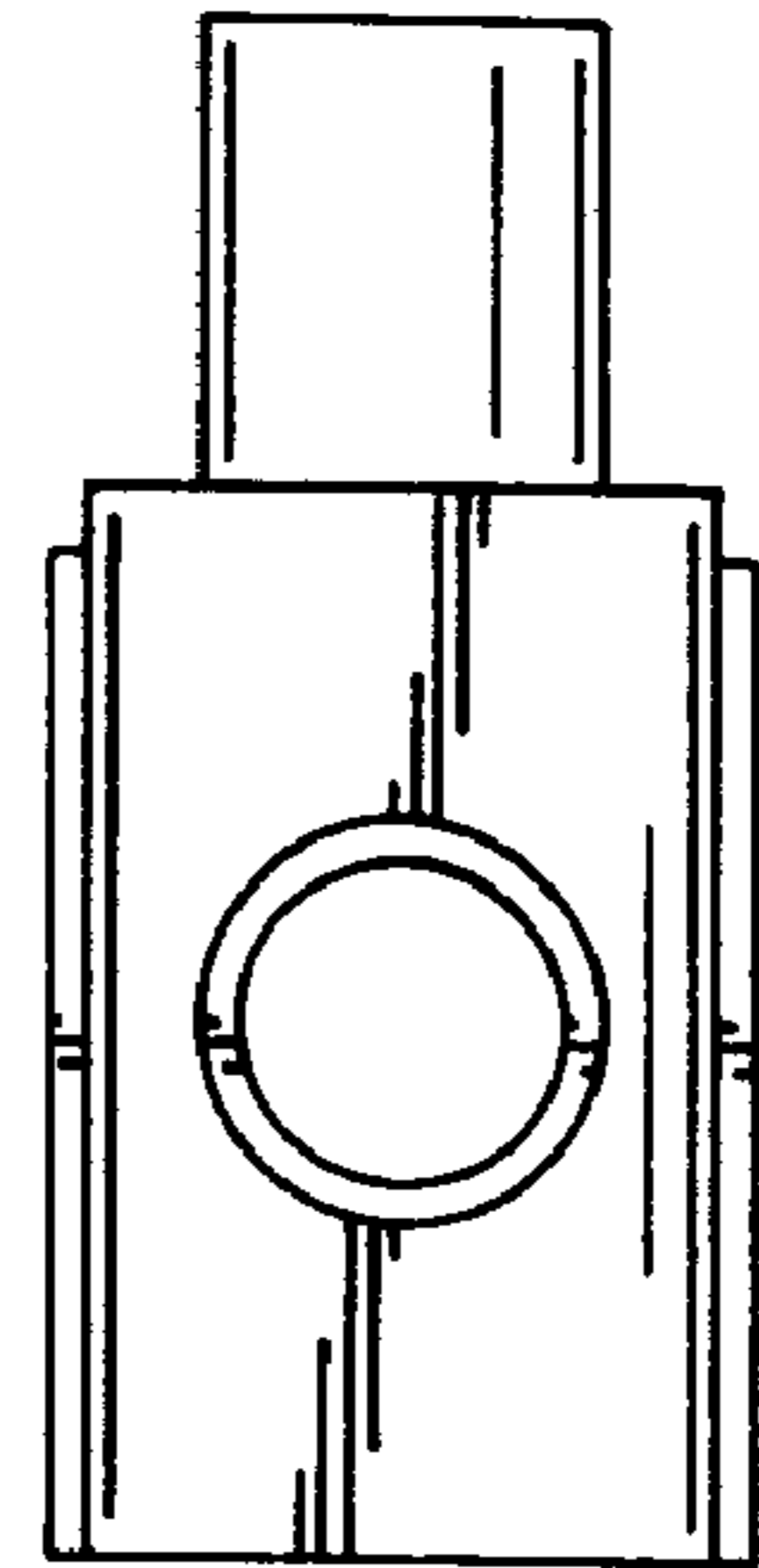


FIG. 12

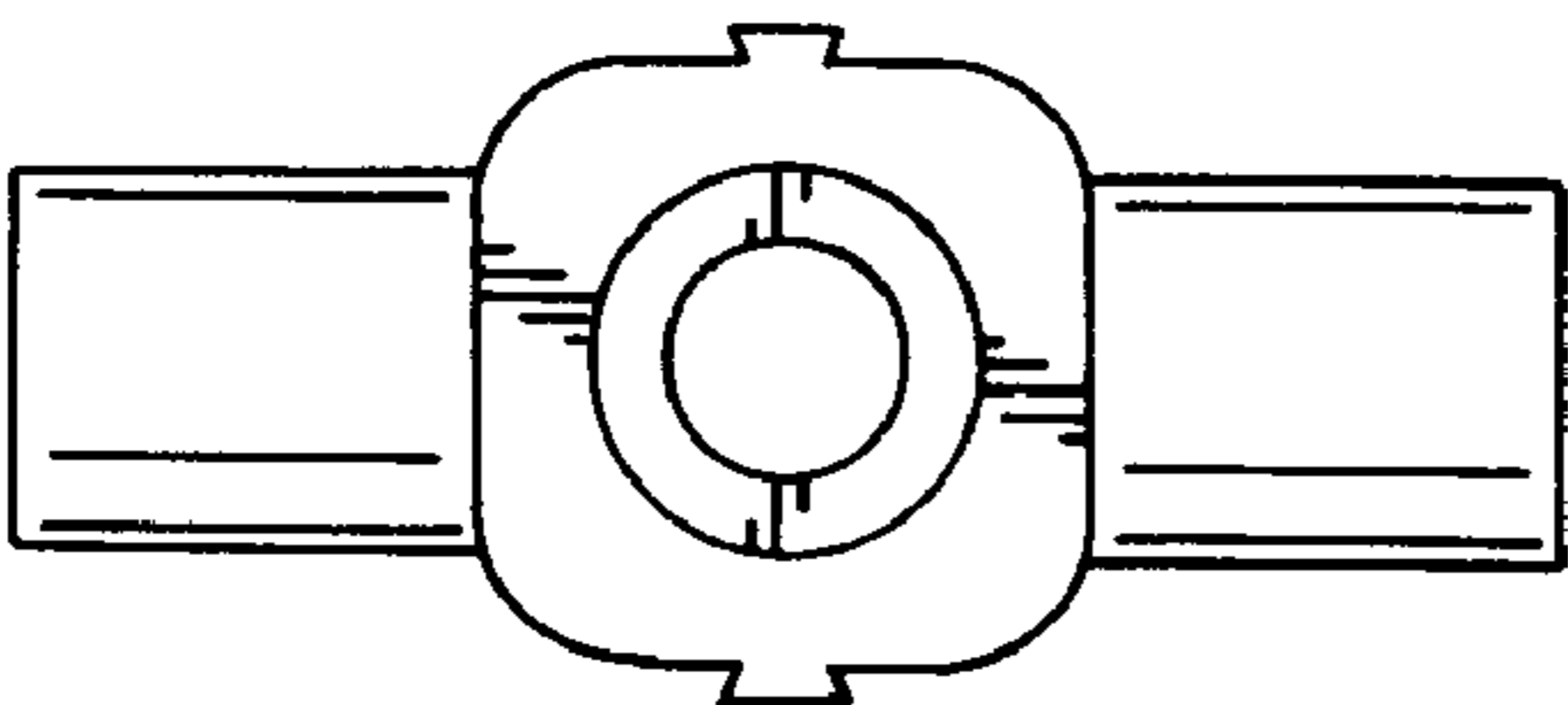


FIG. 14

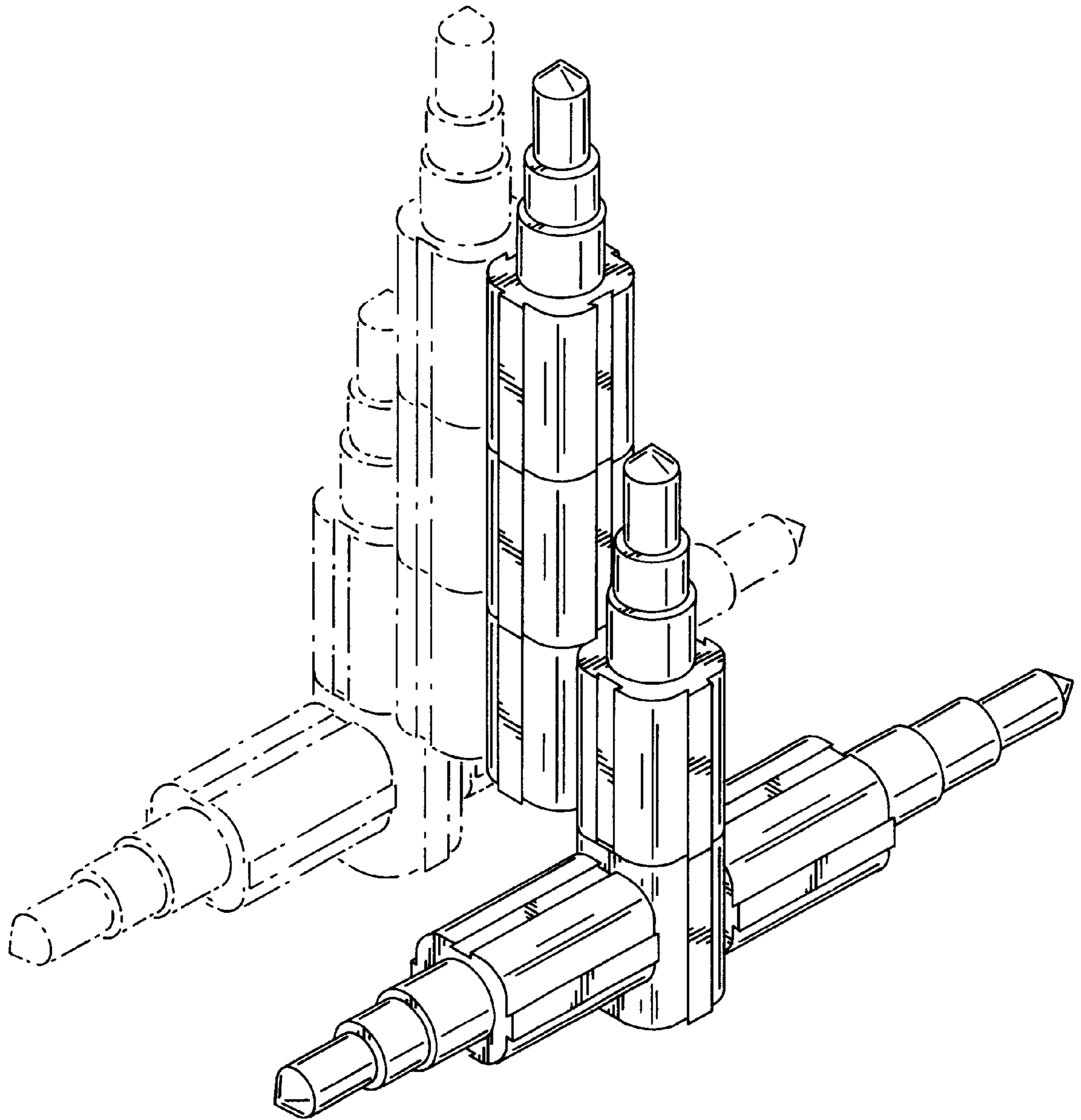


FIG.15

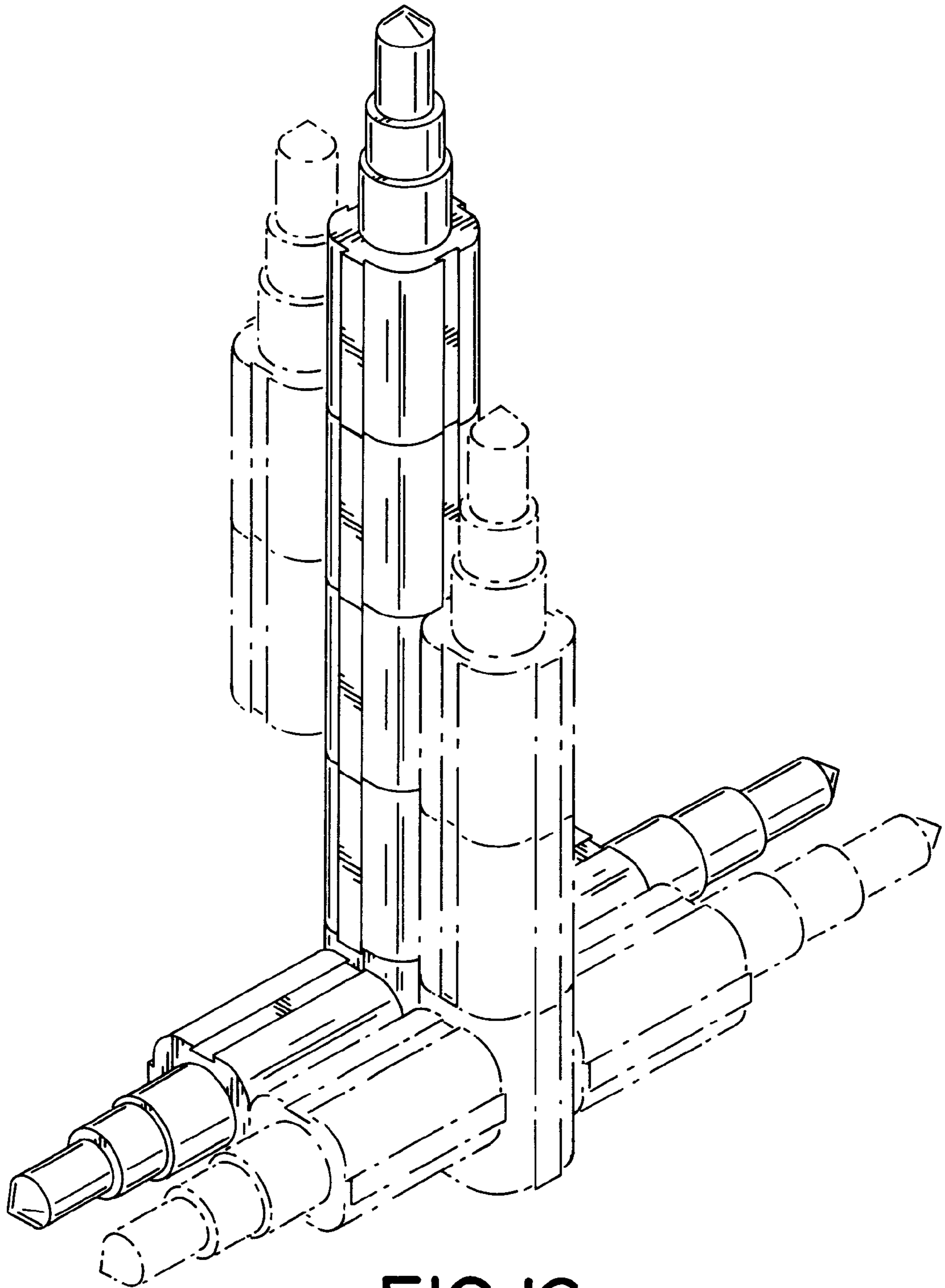


FIG. 16

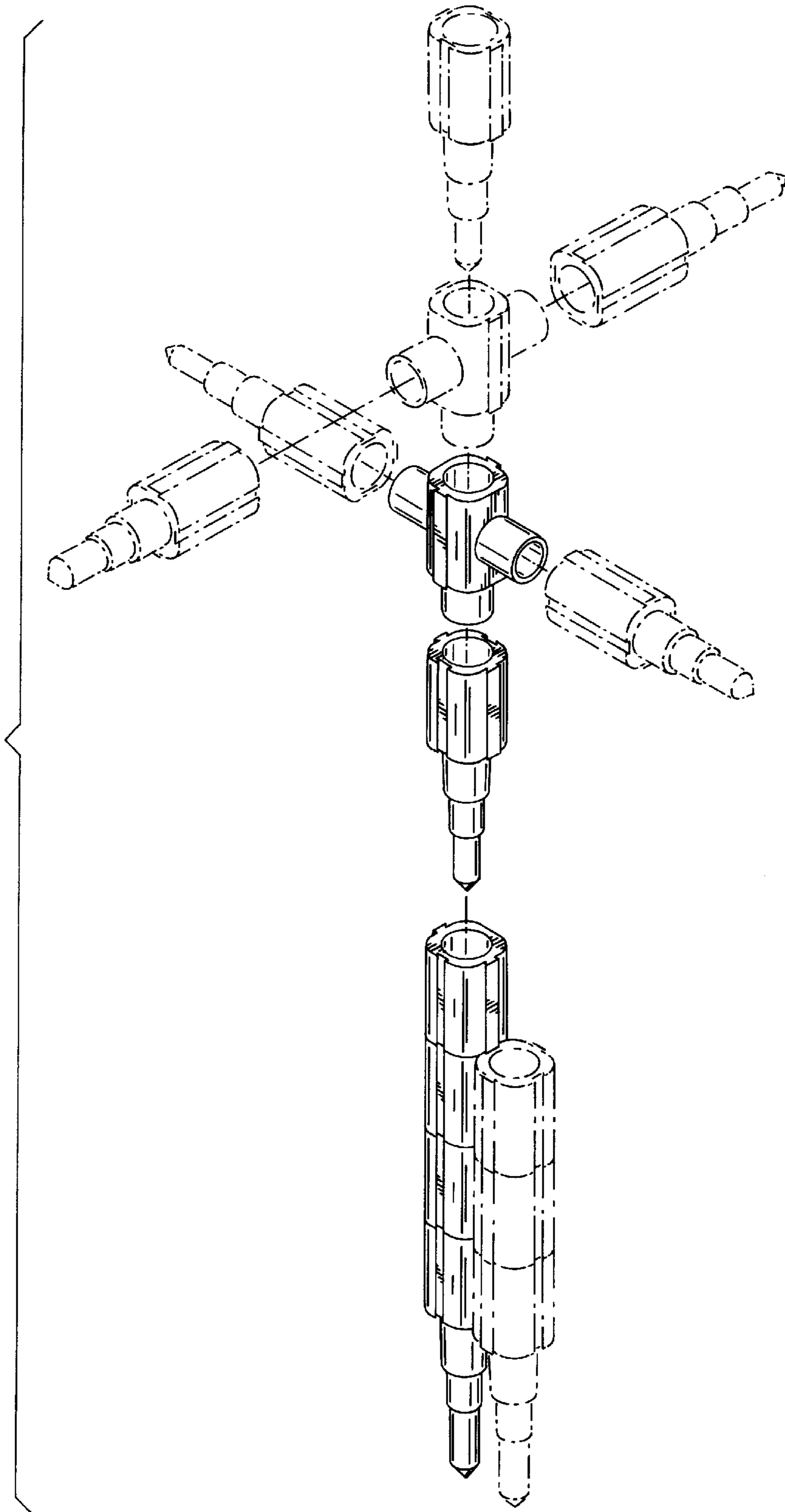


FIG. 17