



US00D419180S

# United States Patent [19] Yasoshima

[11] **Patent Number: Des. 419,180**  
[45] **Date of Patent: \*\* Jan. 18, 2000**

## [54] STAMP PAD CONTAINER

[75] Inventor: **Rira Yasoshima**, Tokyo, Japan  
[73] Assignee: **Tsukineko, Inc.**, Redmond, Wash.  
[\*\*] Term: **14 Years**  
[21] Appl. No.: **29/083,399**  
[22] Filed: **Dec. 31, 1997**

### Related U.S. Application Data

[62] Division of application No. 29/060,503, Sep. 30, 1996, Pat. No. Des. 400,567.  
[51] **LOC (7) Cl.** ..... **19-02**  
[52] **U.S. Cl.** ..... **D18/17**  
[58] **Field of Search** ..... D18/14, 15, 17, D18/18, 19; D19/65; 101/327, 333, 334, 405, 406; 401/199

### [56] References Cited

#### U.S. PATENT DOCUMENTS

D. 184,720	3/1959	Fleming	.....	D58/12
D. 247,063	1/1978	Funahashi	.....	D64/10
D. 252,935	9/1979	Henkels	.....	D19/77
D. 331,418	12/1992	Winston	.....	D18/15
D. 345,826	4/1994	Byars et al.	.....	D28/83
D. 347,089	5/1994	Byars et al.	.....	D28/83
D. 369,384	4/1996	Yasoshima	.....	D19/36
D. 372,731	8/1996	Yasoshima	.....	D18/17
D. 372,933	8/1996	Winston	.....	D18/17
D. 375,516	11/1996	Winston	.....	D18/17
D. 381,038	7/1997	Yasoshima	.....	D18/17
D. 381,357	7/1997	Yasoshima	.....	D18/17
D. 382,581	8/1997	Yasoshima	.....	D18/17
D. 386,200	11/1997	Winston	.....	D18/17
D. 389,174	1/1998	Yasoshima	.....	D18/17
D. 389,509	1/1998	Yasoshima	.....	D18/17
D. 400,567	11/1998	Yasoshima	.....	D18/17
602,061	4/1898	Echelberger	.....	118/264
848,063	3/1907	Sommer	.....	118/264
1,173,092	2/1916	Bickerton	.....	118/270
1,463,718	7/1923	Munson	.....	118/264
1,598,538	8/1926	Mann	.....	118/269

(List continued on next page.)

#### FOREIGN PATENT DOCUMENTS

546609	9/1957	Canada	.....	101/333
167 380	1/1996	European Pat. Off.	.....	B41K 1/04
2675740 A1	10/1992	France	.....	B41K 1/34
662905	6/1938	Germany	.	
4-312881	11/1992	Japan	.....	B41K 1/54
4940	of 1896	United Kingdom	.....	118/264
2045687	11/1980	United Kingdom	.	

#### OTHER PUBLICATIONS

U.S. application No. 08/747,354, Yasoshima, filed Nov. 12, 1996.  
U.S. application No. 08/748,217, Yasoshima, filed Nov. 12, 1996.  
U.S. application No. 09/042,320, Yasoshima, filed Mar. 13, 1998.  
Rubber stamp catalog, Clearsnap, Inc., 1990.  
Tsukineko, Color Palette Pigment Stamp Pad Catalog, Japanese language document.  
Tsukineko, Japanese Catalog, 1993.  
Clearsnap, Color Box Pigment Stamp Pads, See circled stamp pad, top left, 1993.  
Ink-A-Dink-A-Do, *4 Inks in Ones*, Stamp Pad.

*Primary Examiner*—Louis S. Zarfes  
*Assistant Examiner*—Gregory Andoll  
*Attorney, Agent, or Firm*—Seed and Berry LLP

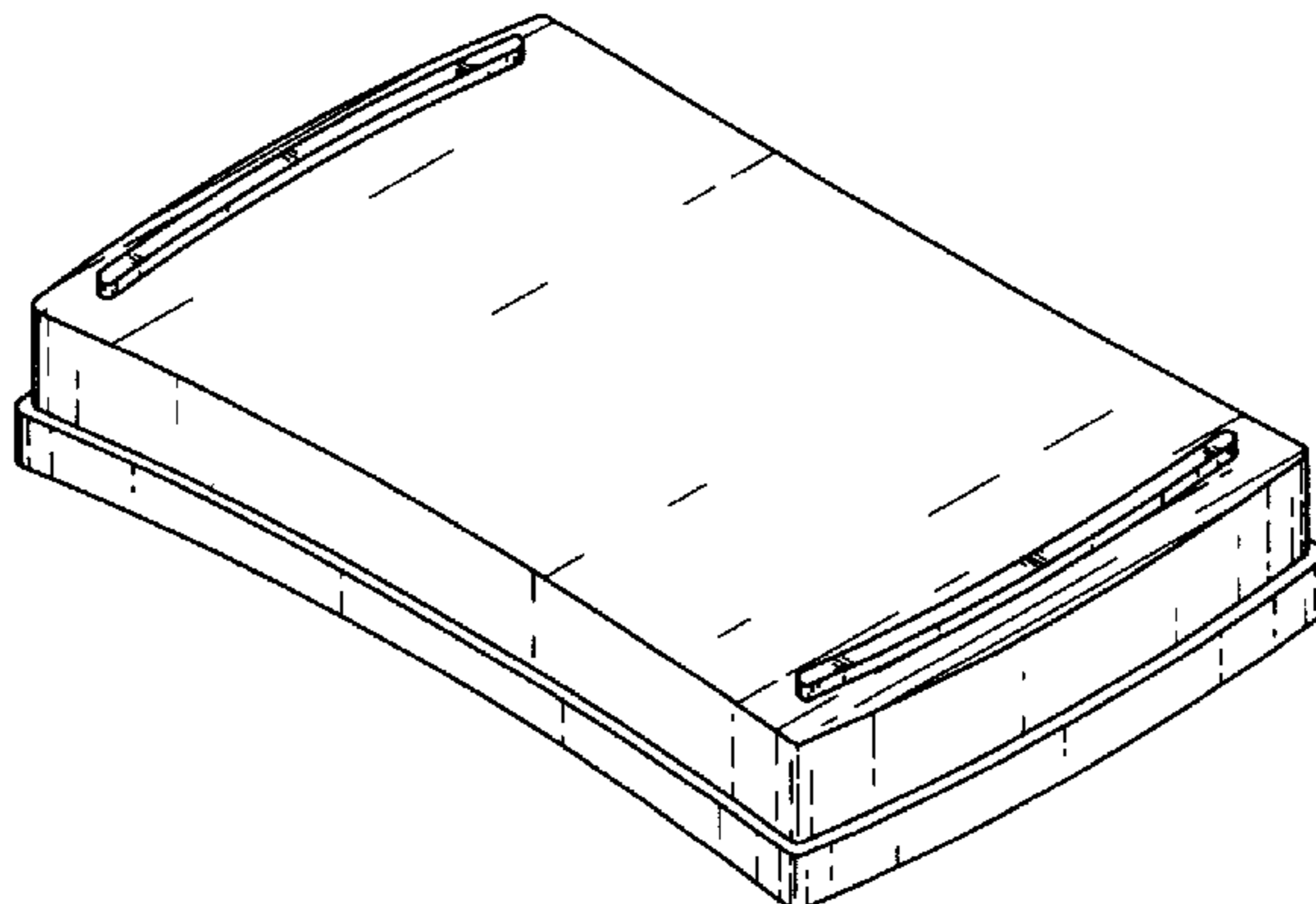
### [57] CLAIM

The ornamental design for a stamp pad container, as shown and described.

### DESCRIPTION

FIG. 1 is an isometric view of a stamp pad container showing my new design;  
FIG. 2 is a top plan view thereof;  
FIG. 3 is an end view thereof, the opposite end is identical to the end shown;  
FIG. 4 is a side view thereof, the opposite side is identical to the side shown; and,  
FIG. 5 is a bottom plan view thereof.

1 Claim, 1 Drawing Sheet

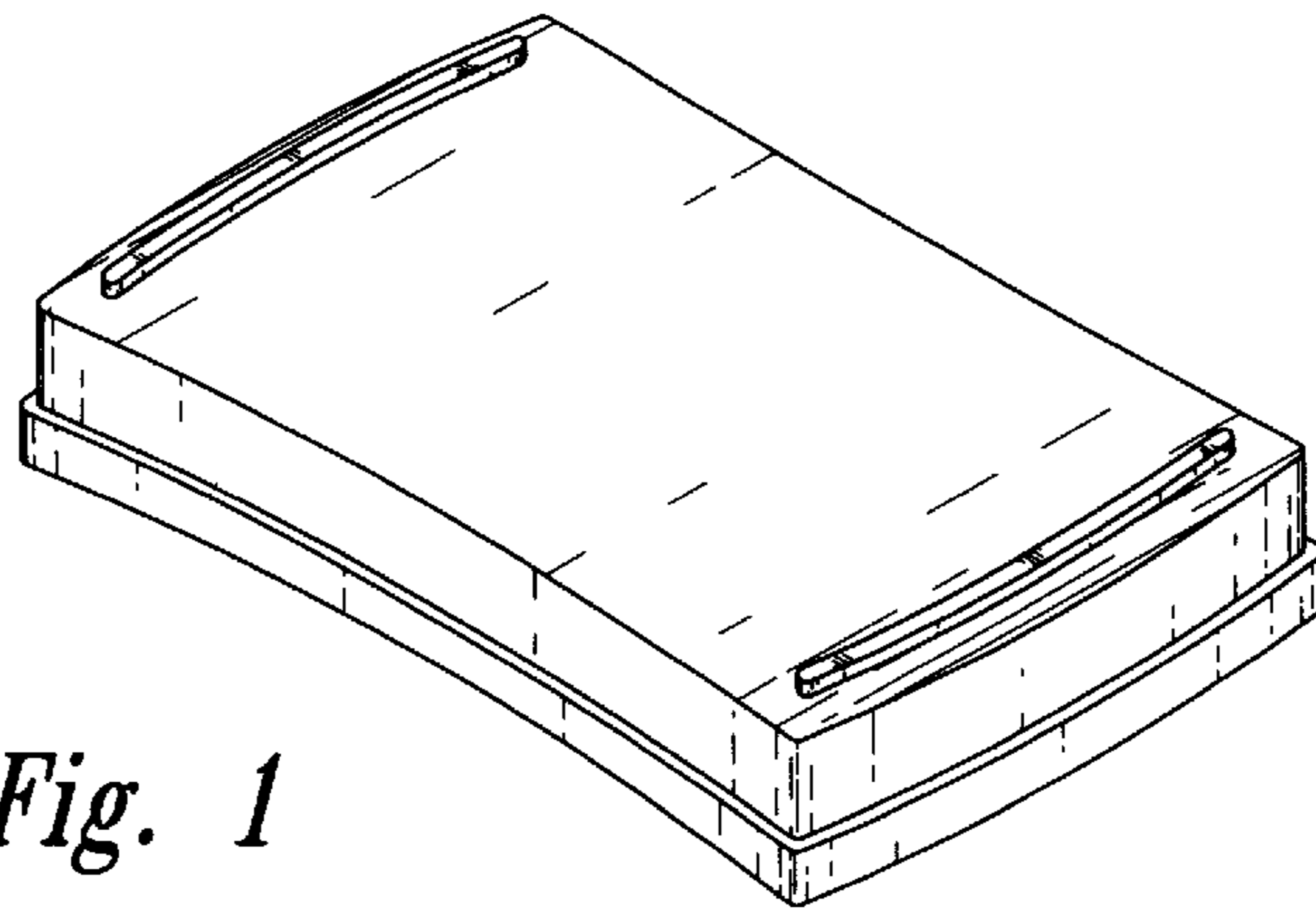


# Des. 419,180

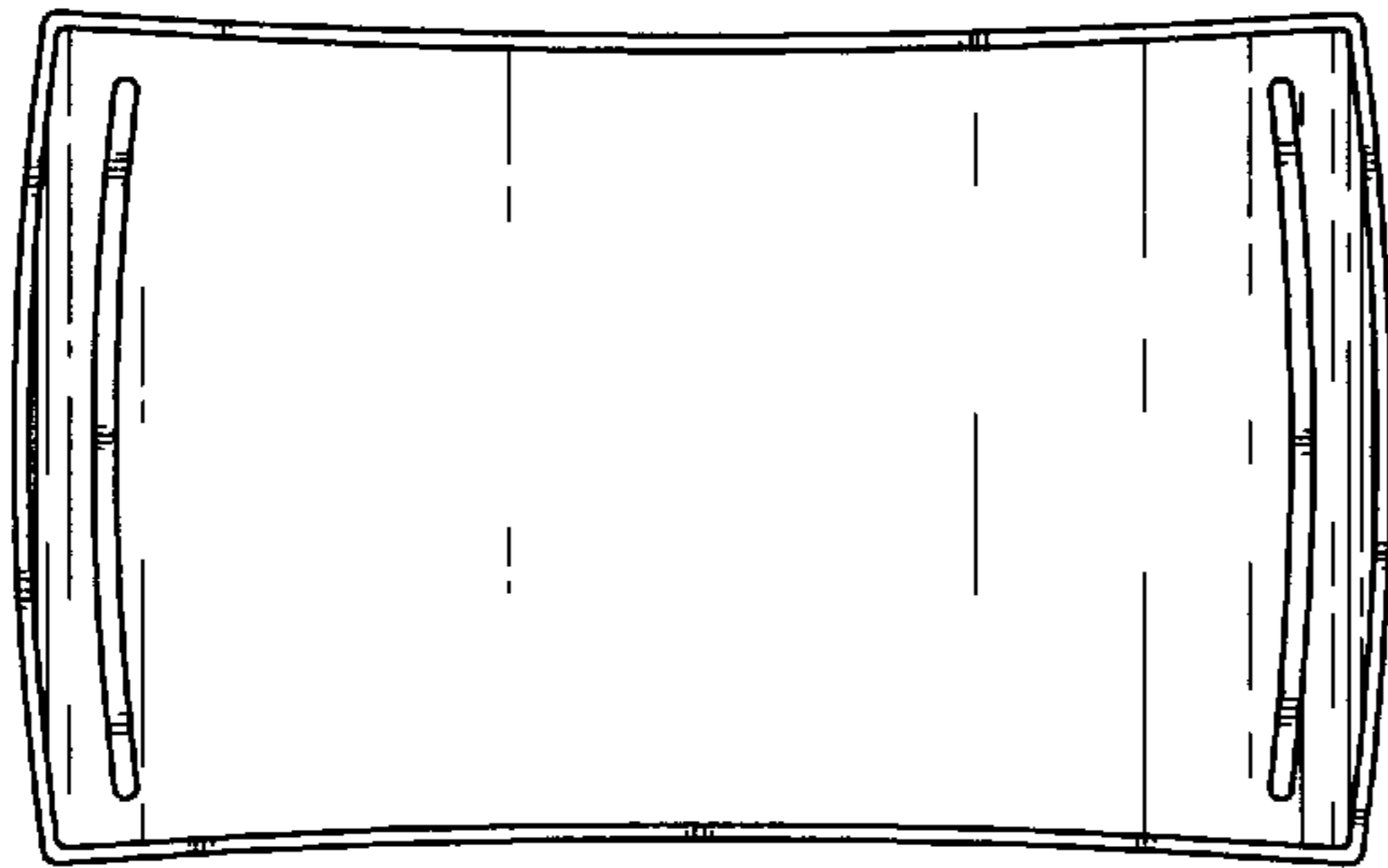
Page 2

---

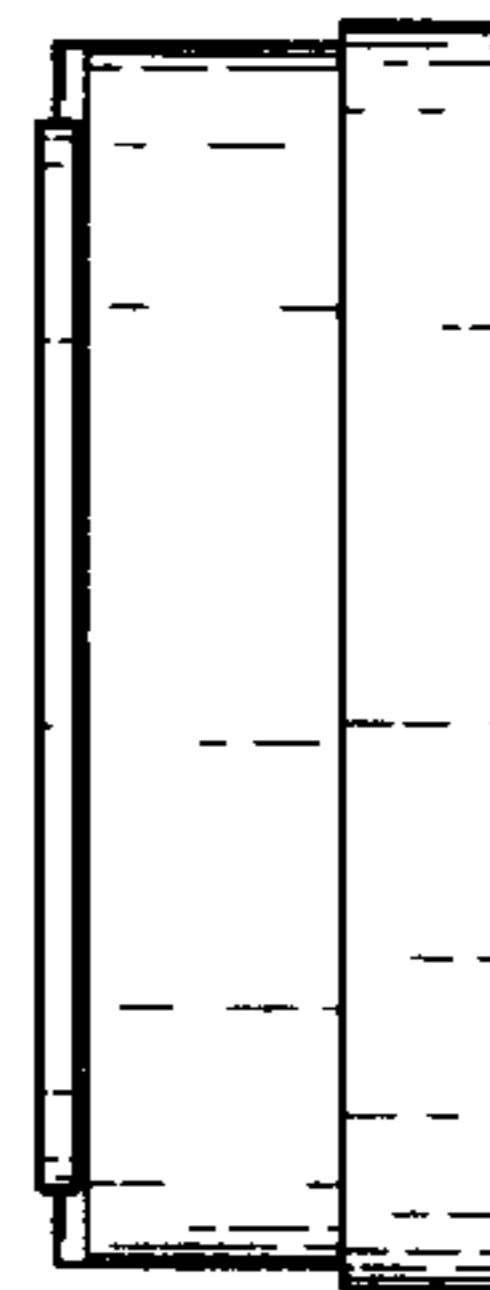
U.S. PATENT DOCUMENTS			
		3,326,180	6/1967 Lofgren ..... 118/264
		3,590,734	7/1971 Carter ..... 101/333
		4,029,011	6/1977 Kurner ..... 101/330
		4,986,175	1/1991 Boehringer et al. .... 101/125
		5,505,130	4/1996 Winston ..... 101/333
		5,531,829	7/1996 Yasoshima ..... 118/264
		5,601,644	2/1997 Yasoshima ..... 118/46
		5,653,804	8/1997 Yasoshima ..... 118/46
1,796,137	3/1931	Baumgarten	..... 118/264
2,117,470	5/1938	Zareko	..... 118/264
2,290,488	7/1942	Munson	..... 118/264
2,374,198	4/1945	Harris	..... 91/54.5
2,422,814	6/1947	Alexander	..... 91/54.5
2,723,476	11/1955	Lyon	..... 41/1



*Fig. 1*



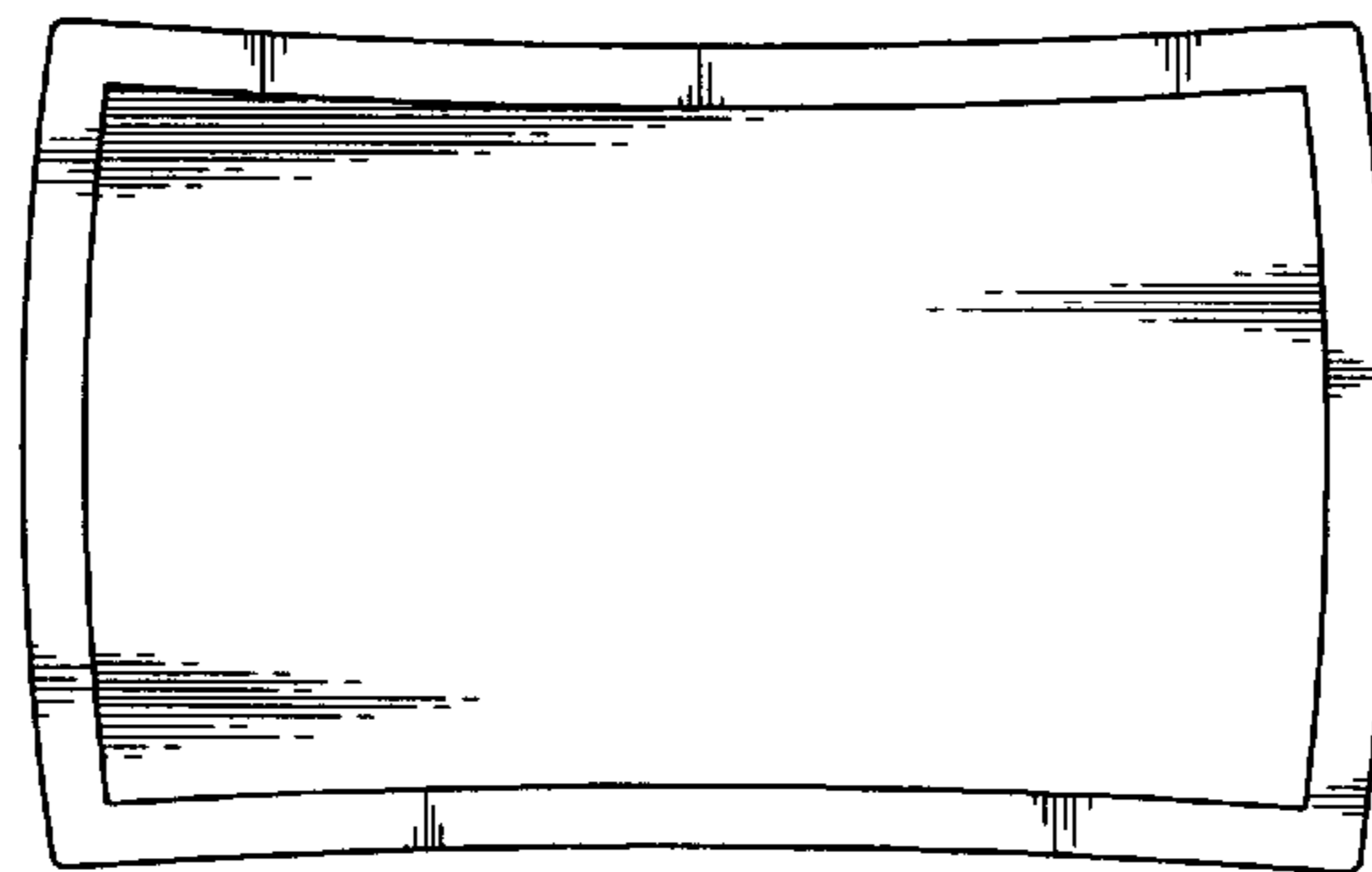
*Fig. 2*



*Fig. 3*



*Fig. 4*



*Fig. 5*