



US00D419172S

United States Patent [19]

Saeki et al.

[11] Patent Number: **Des. 419,172**

[45] Date of Patent: **** Jan. 18, 2000**

[54] **VIDEO PROJECTOR**

[75] Inventors: **Taisuke Saeki; Harumi Sakamoto; Seiji Kurokawa; Kohichi Iida**, all of Tochigi-ken; **Kiyomi Usui**, Kanagawa-ken, all of Japan

[73] Assignee: **Sharp Kabushiki Kaisha**, Osaka, Japan

[**] Term: **14 Years**

[21] Appl. No.: **29/097,537**

[22] Filed: **Dec. 9, 1998**

[30] **Foreign Application Priority Data**

Jun. 9, 1998 [JP] Japan 10-16583

[51] **LOC (7) Cl.** **16-02**

[52] **U.S. Cl.** **D16/231; D16/225**

[58] **Field of Search** D16/200, 201, D16/203-205, 208, 221, 225, 230, 231, 234; D21/514; 352/34, 242; 353/115, 119, 122

[56] **References Cited**

U.S. PATENT DOCUMENTS

- D. 339,817 9/1993 Fukuda et al. D16/230
- D. 343,850 2/1994 Saeki et al. D16/234

- D. 356,103 3/1995 Saeki et al. D16/221
- D. 364,416 11/1995 Saeki et al. D16/231
- D. 365,587 12/1995 Saeki et al. D16/234
- D. 371,148 6/1996 Kobayashi D16/221
- D. 387,795 12/1997 Sakamoto D16/231
- D. 388,111 12/1997 Iida D16/231
- D. 391,592 3/1998 Sakamoto et al. D16/231
- D. 398,321 9/1998 Iida D16/230
- D. 398,622 9/1998 Saeki et al. D16/231
- D. 406,159 2/1999 Kawasaki et al. D16/234
- 5,868,485 2/1999 Fujimori et al. 359/119

Primary Examiner—Adir Aronovich
Attorney, Agent, or Firm—Nixon & Vanderhye

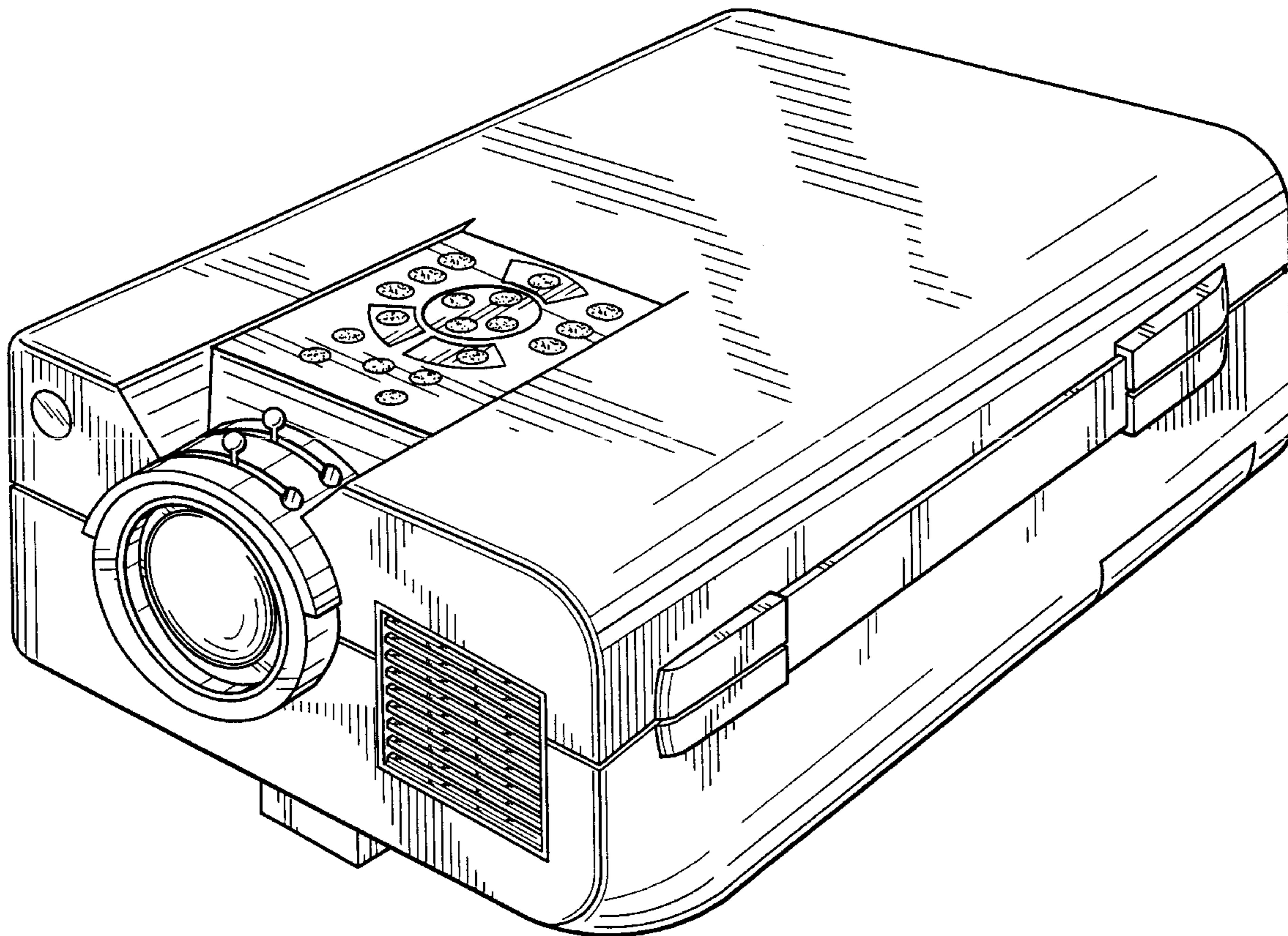
[57] **CLAIM**

The ornamental design for a video projector, as shown and described.

DESCRIPTION

FIG. 1 is a top, front and right side perspective view of a video projector according to our design;
FIG. 2 is a rear elevational view thereof;
FIG. 3 is a front elevational view thereof;
FIG. 4 is a bottom plan view thereof;
FIG. 5 is a top plan view thereof;
FIG. 6 is a left side elevational view thereof; and,
FIG. 7 is a right side elevational view thereof.

1 Claim, 4 Drawing Sheets



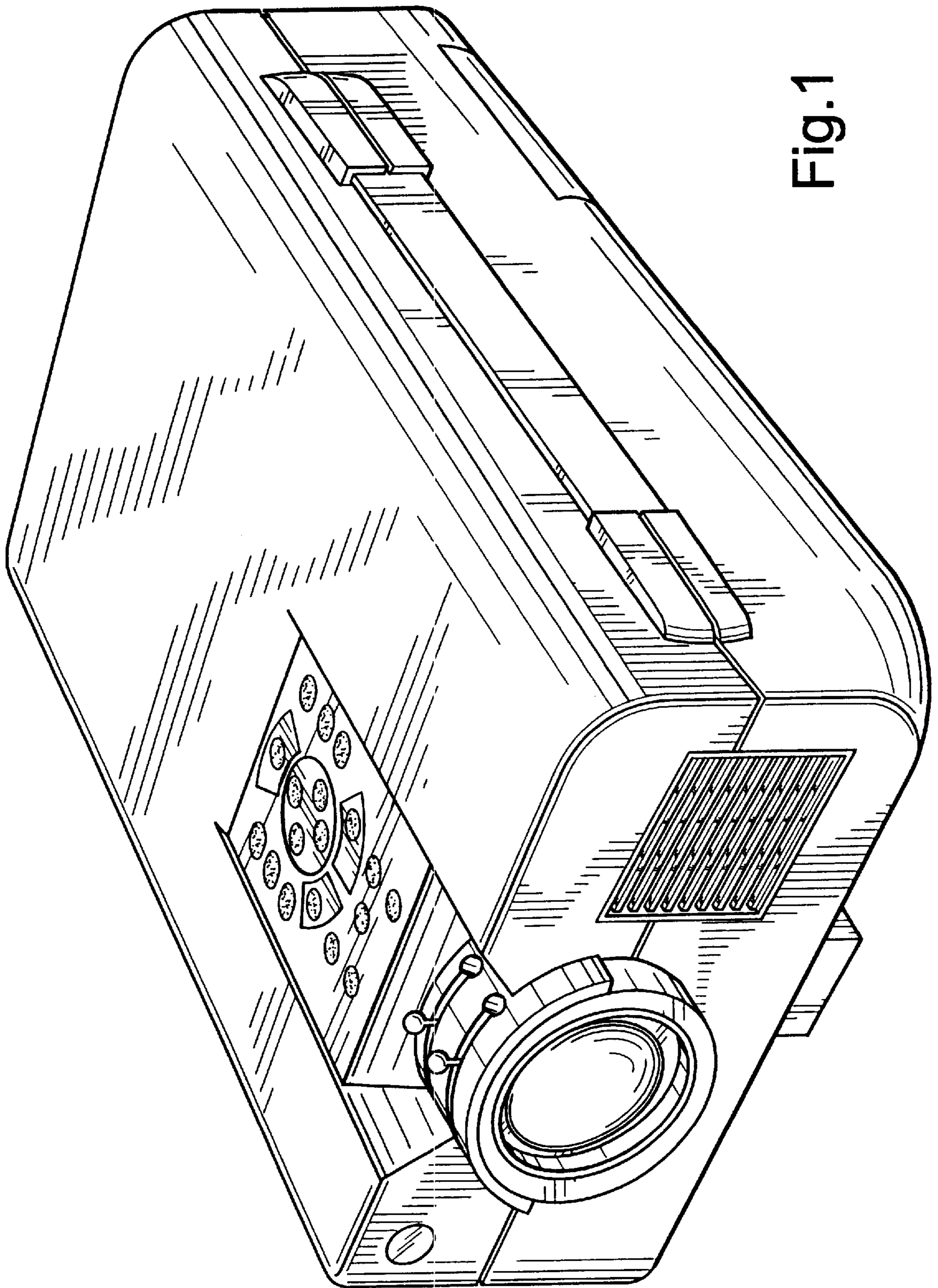


Fig. 1

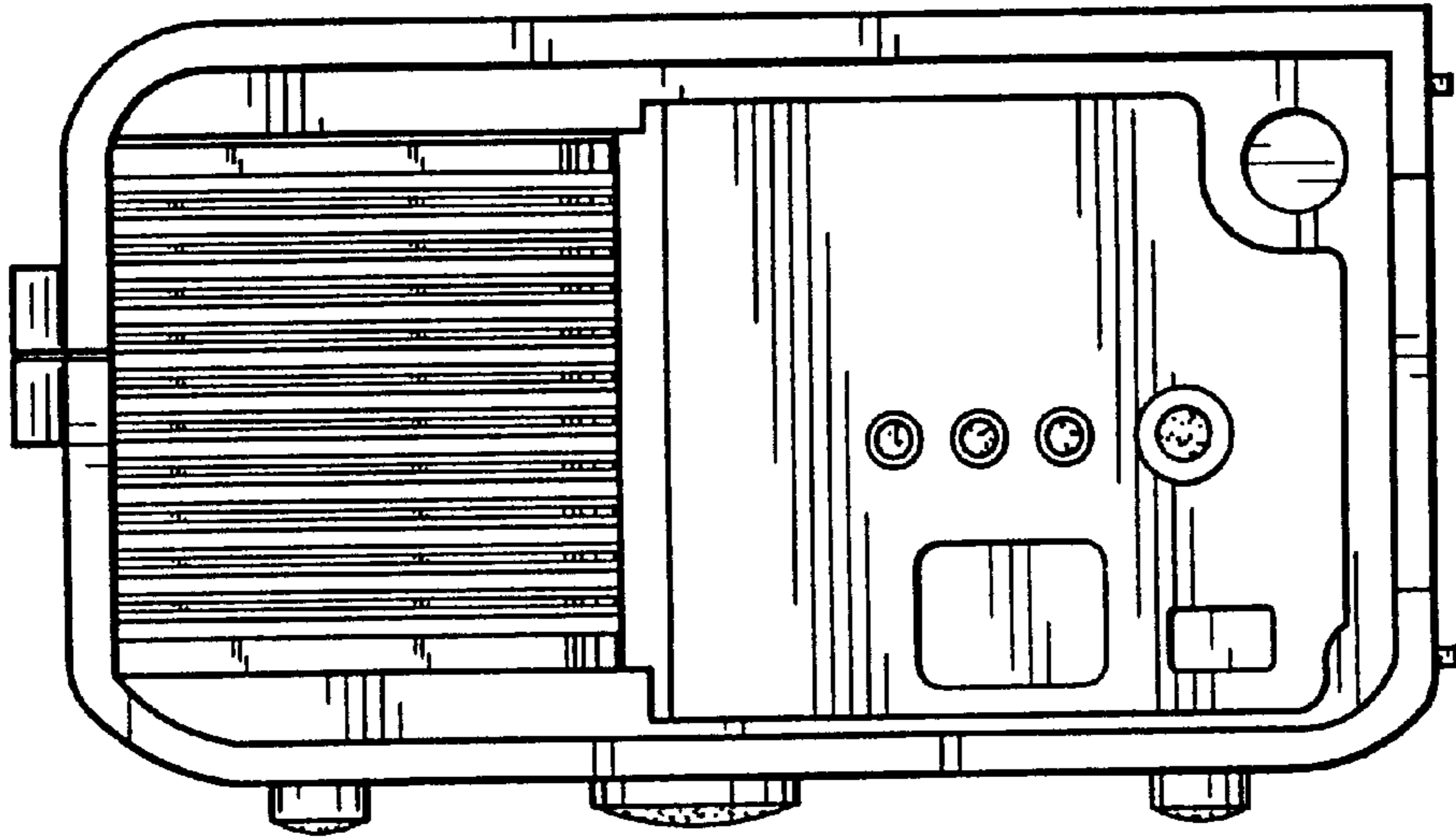


Fig.2

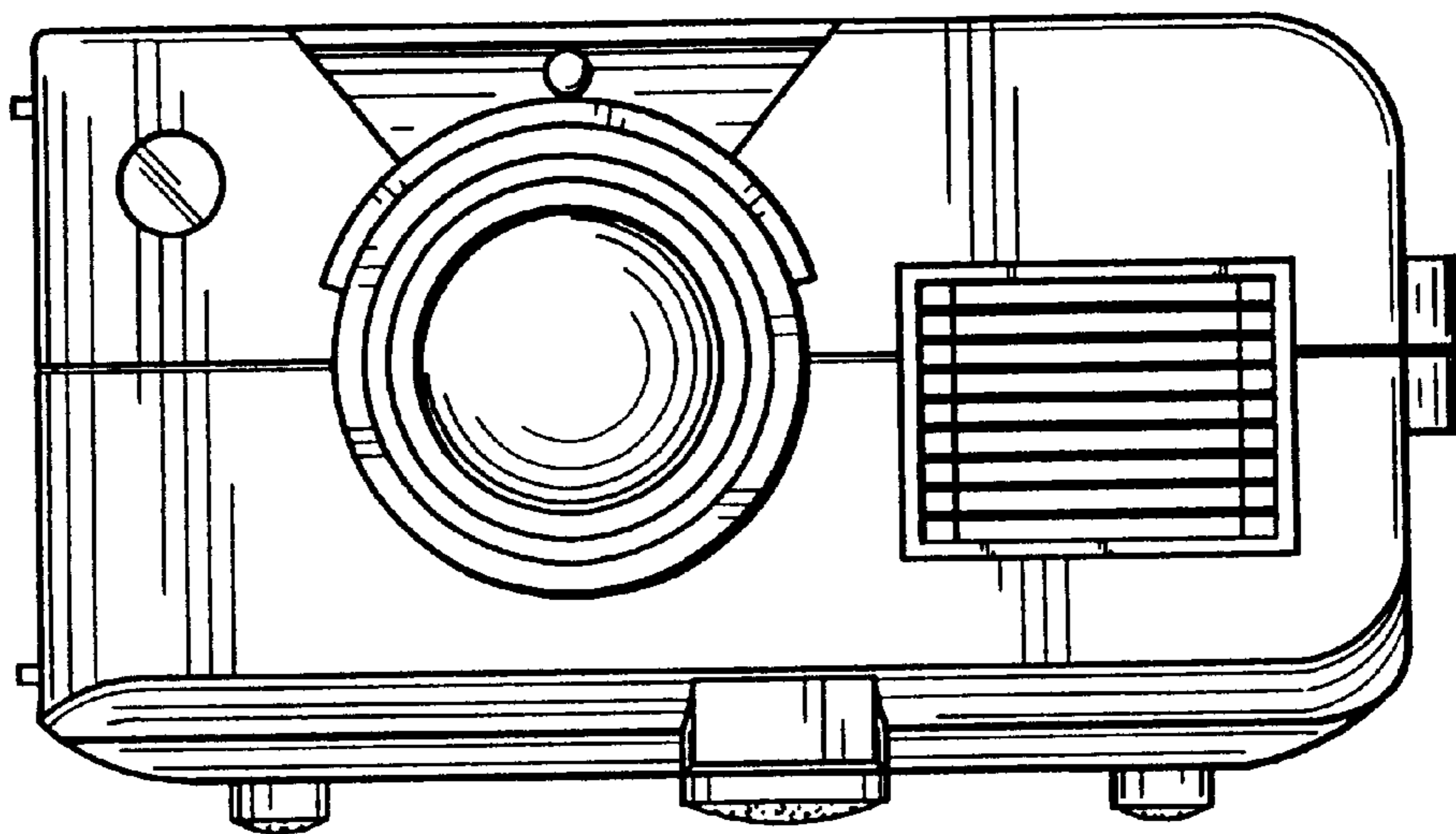


Fig.3

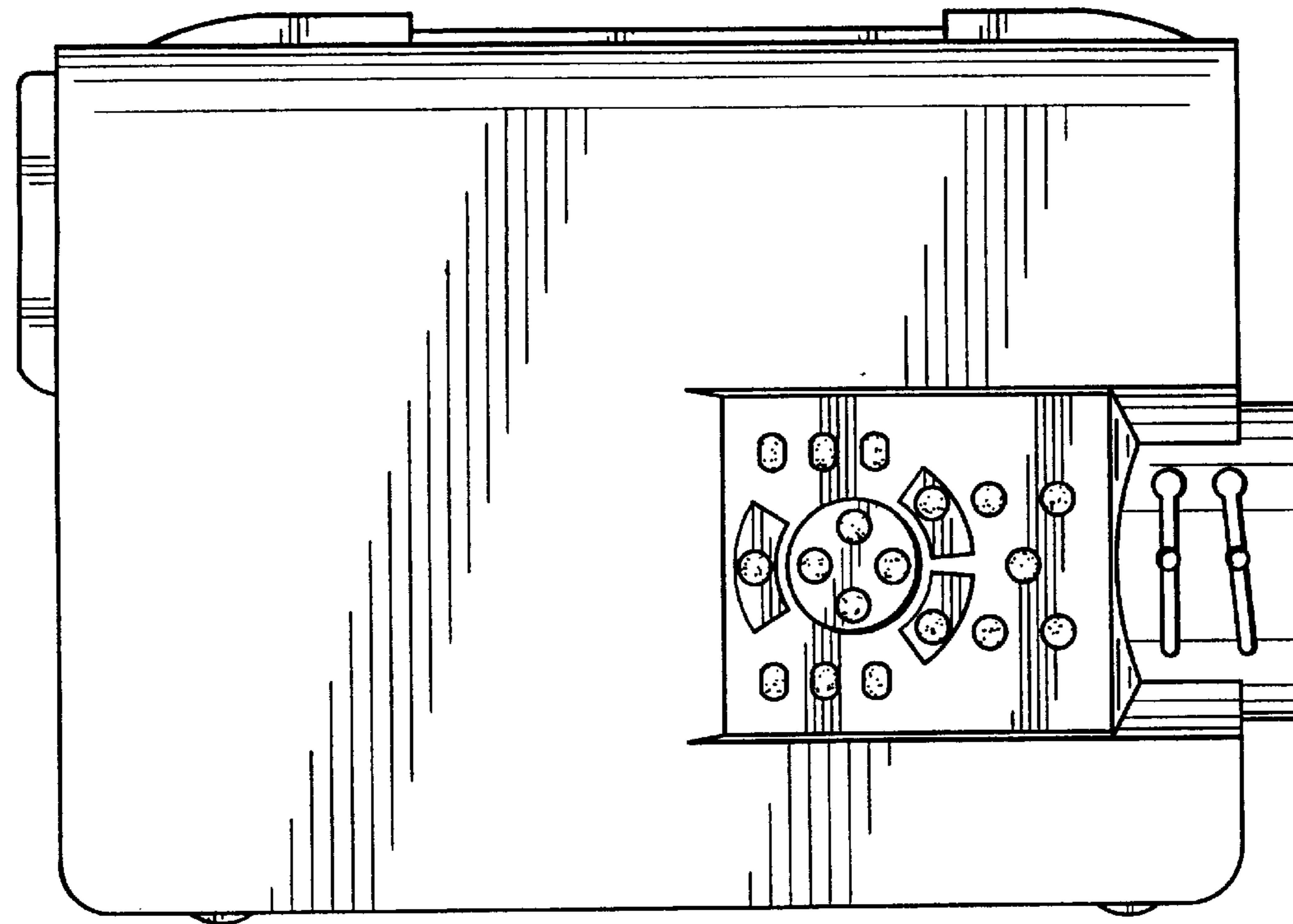


Fig. 4

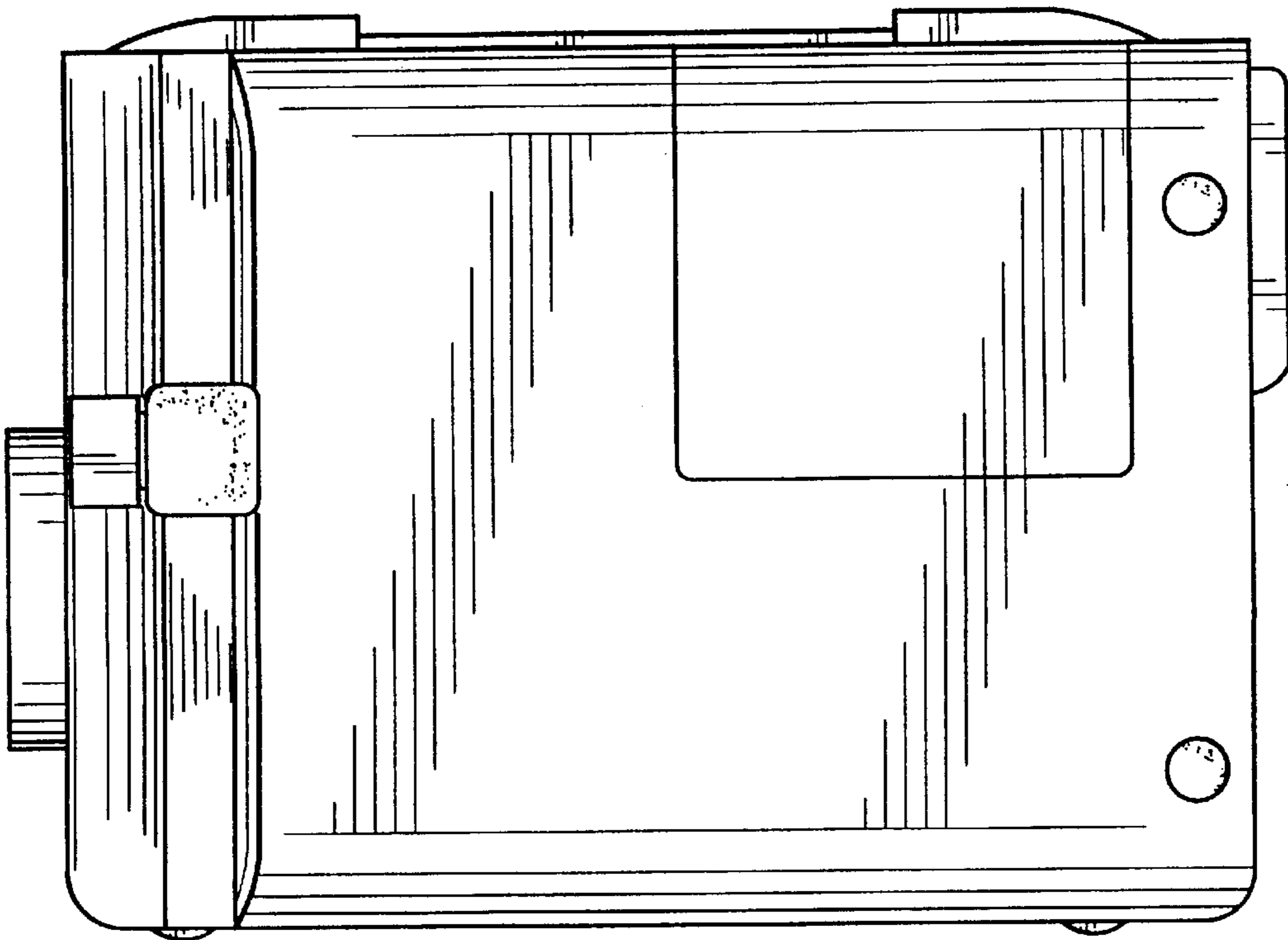


Fig. 5

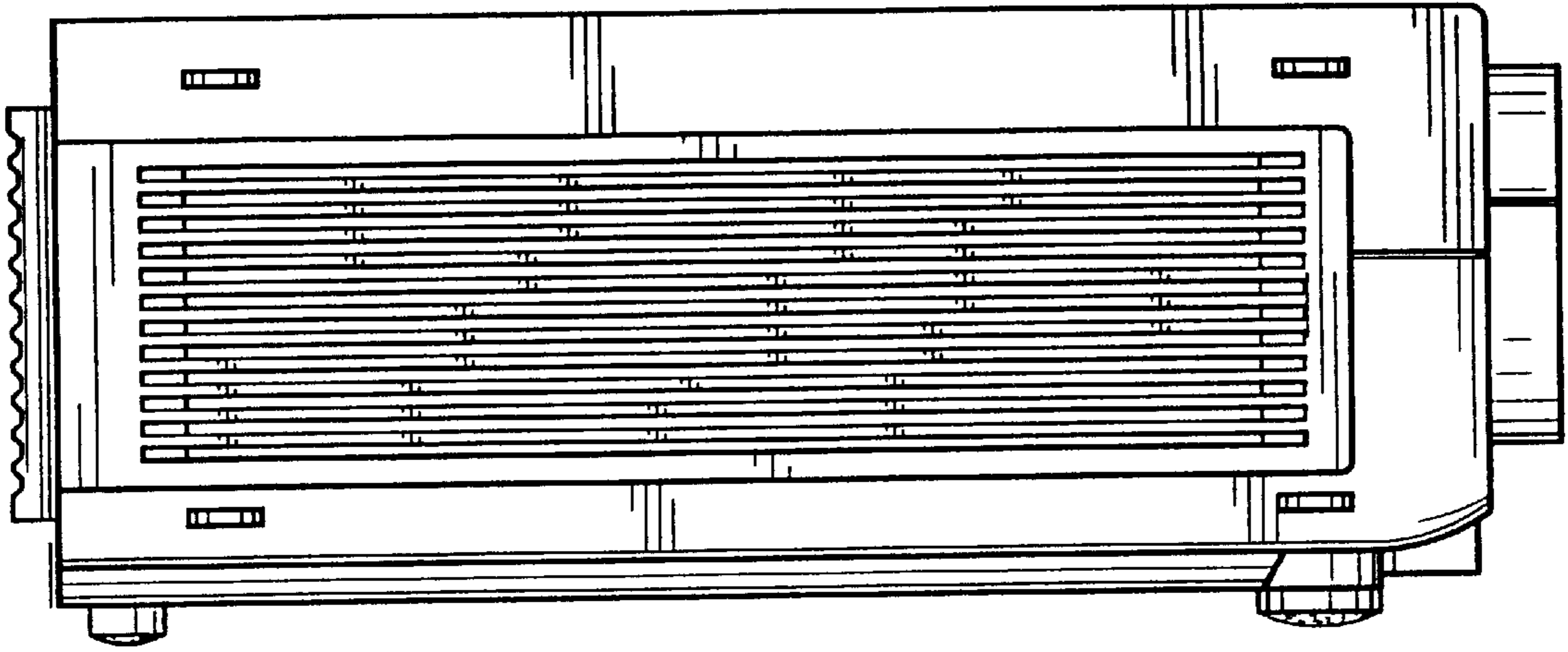


Fig.6

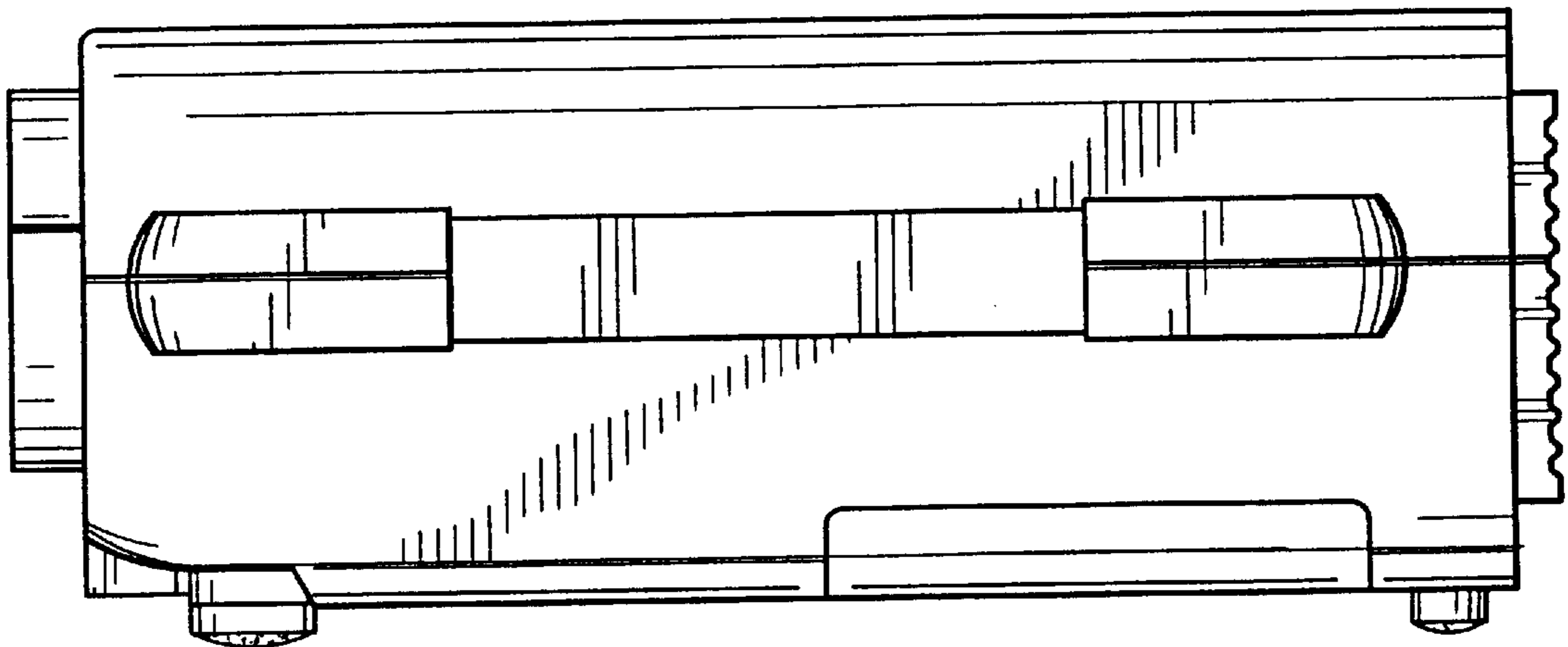


Fig.7