



US00D419169S

United States Patent [19]
Masano

[11] **Patent Number: Des. 419,169**
[45] **Date of Patent: ** Jan. 18, 2000**

[54] **COMBINED VIDEO CAMERA WITH VIDEO TAPE RECORDER**

[75] Inventor: **Koji Masano**, Ehime, Japan

[73] Assignee: **Matsushita Electric Industrial Co., Ltd.**, Japan

[**] Term: **14 Years**

[21] Appl. No.: **29/097,438**

[22] Filed: **Dec. 7, 1998**

[30] **Foreign Application Priority Data**

Dec. 6, 1998 [JP] Japan 10-16922

[51] **LOC (7) Cl.** **16-01**

[52] **U.S. Cl.** **D16/202**

[58] **Field of Search** D16/200-208;
348/373-376; 352/34, 242; 358/906; 396/535-543

[56] **References Cited**

U.S. PATENT DOCUMENTS

D. 356,100	3/1995	Mori et al.	D16/202
D. 366,885	2/1996	Goto et al.	D16/202
D. 367,072	2/1996	Goto	D16/202
D. 371,378	7/1996	Goto	D16/202
D. 408,042	4/1999	Onoda et al.	D16/202
D. 408,043	4/1999	Goto et al.	D16/202
5,132,800	7/1992	Wada et al.	348/375

OTHER PUBLICATIONS

Panasonic Catalog page, issued before Oct. 14, 1997 (NV-AL 30 camcorder).

Panasonic Catalog page, issued before Oct. 14, 1997 (PV-D406 and PV-D506 camcorders).

Matsushita's "GR-AX110 and GR-AX155," catalog issued before Jun. 12, 1998.

Primary Examiner—Adir Aronovich

Attorney, Agent, or Firm—Saidman DesignLaw Group

[57] **CLAIM**

The ornamental design for a combined video camera with video tape recorder, as shown and described.

DESCRIPTION

FIG. 1 is a perspective view of the top, front and right side of a combined video camera with video tape recorder showing my new design;

FIG. 2 is a front view thereof;

FIG. 3 is a rear view thereof;

FIG. 4 is a top plan view thereof;

FIG. 5 is a bottom plan view thereof;

FIG. 6 is a right side view thereof;

FIG. 7 is a left side view thereof; and,

FIG. 8 is a perspective view of top, rear and left side thereof showing the eye piece is in folded position.

1 Claim, 4 Drawing Sheets

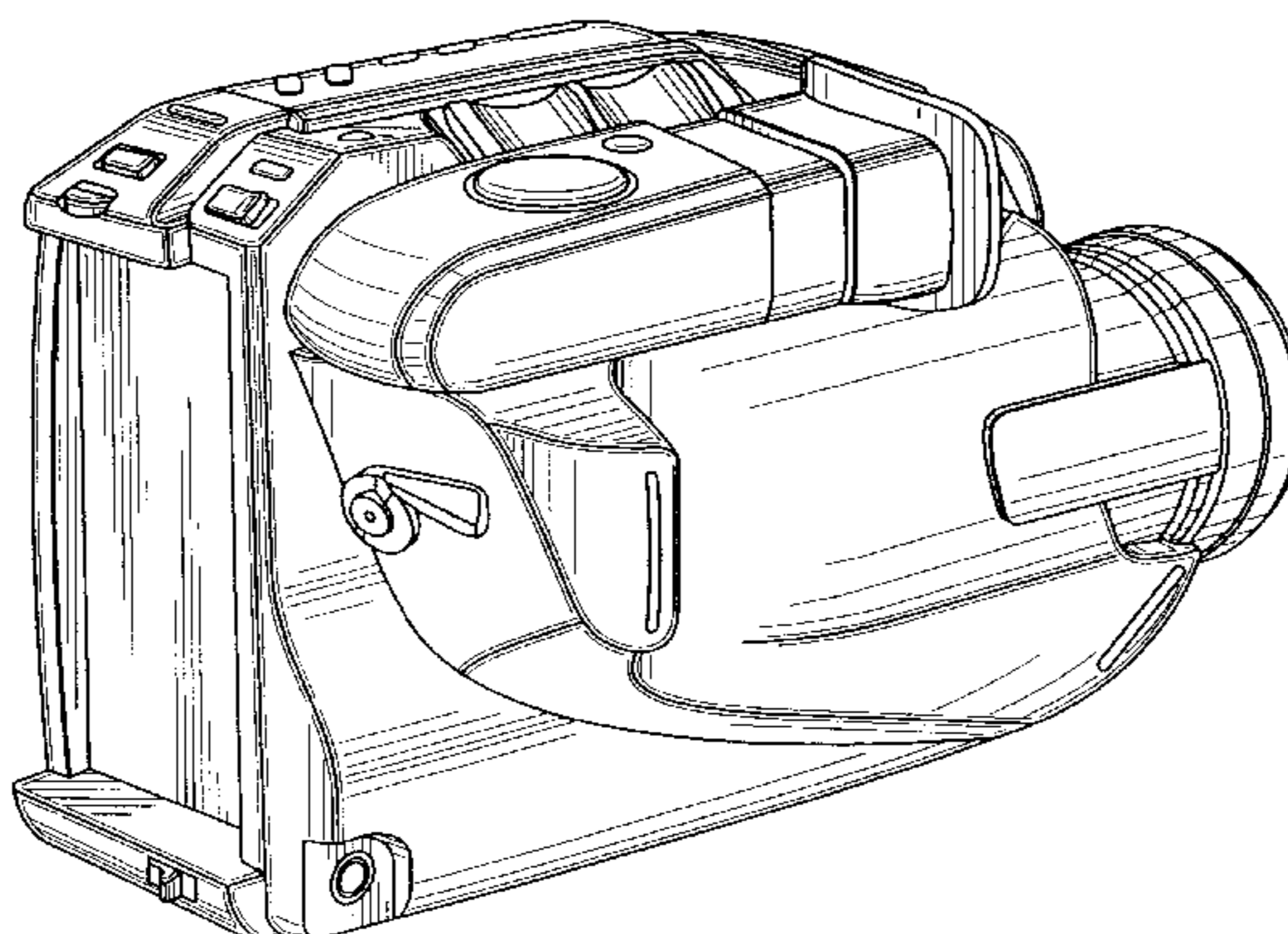
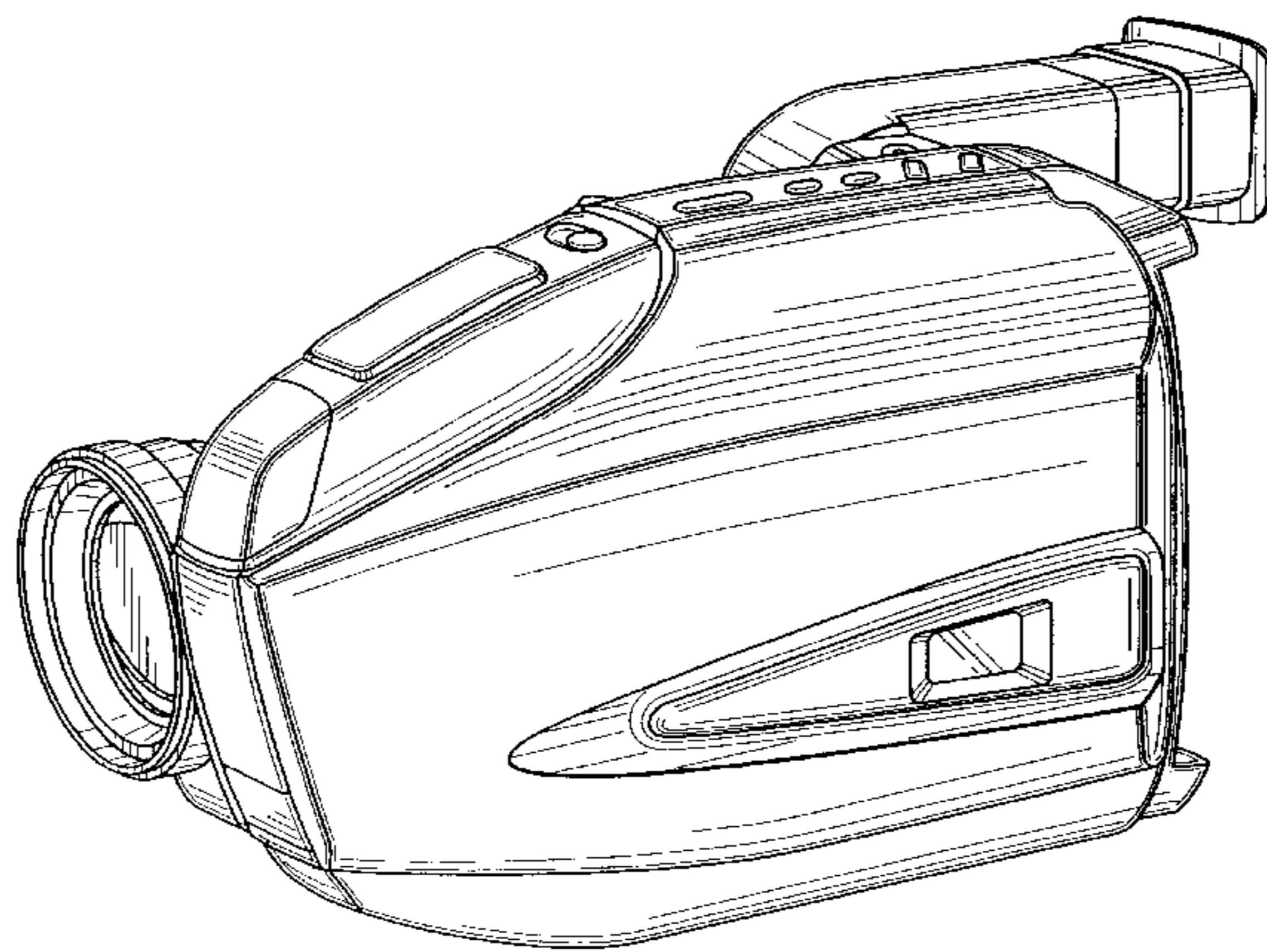


FIG. 1

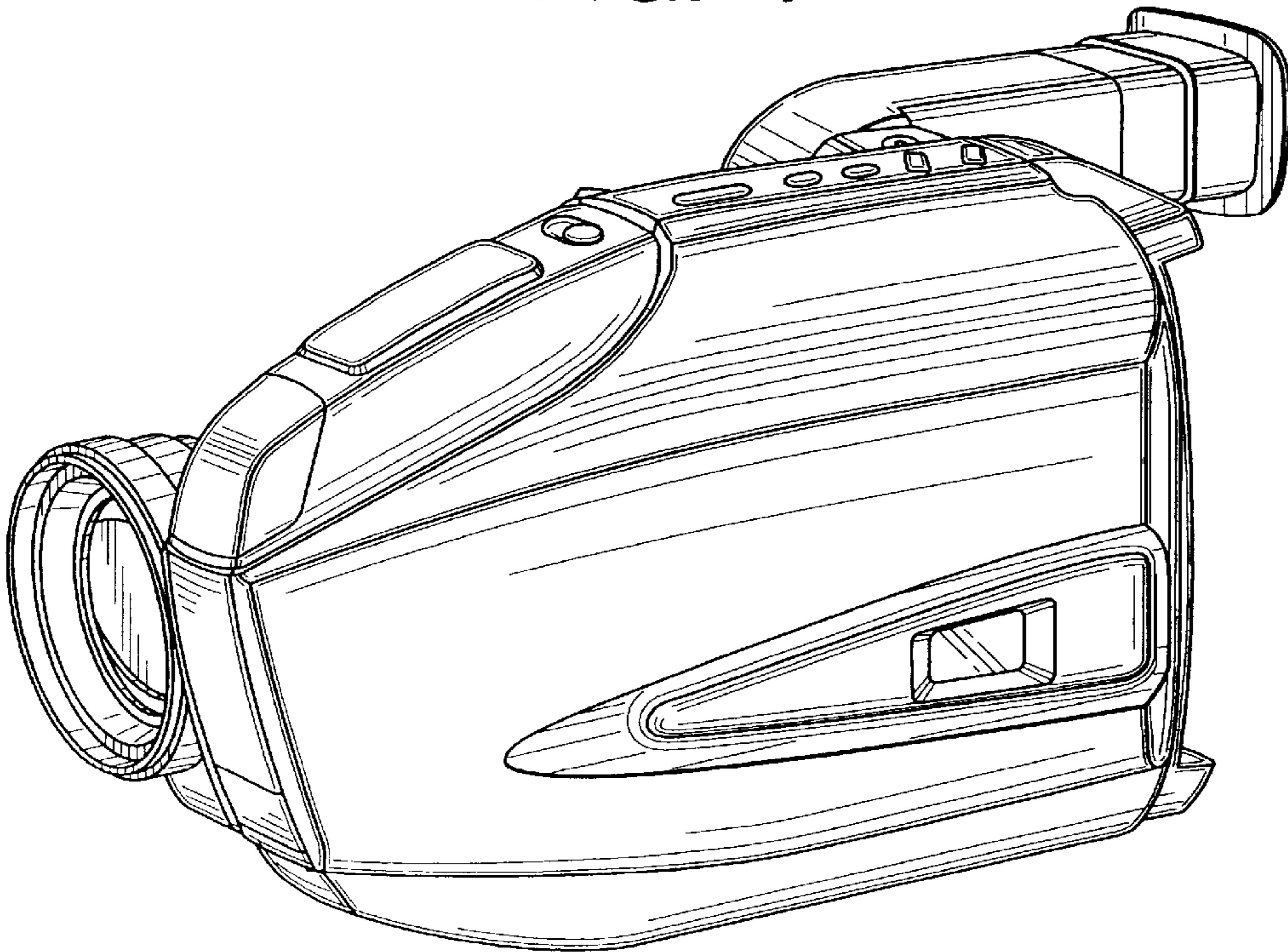


FIG. 2

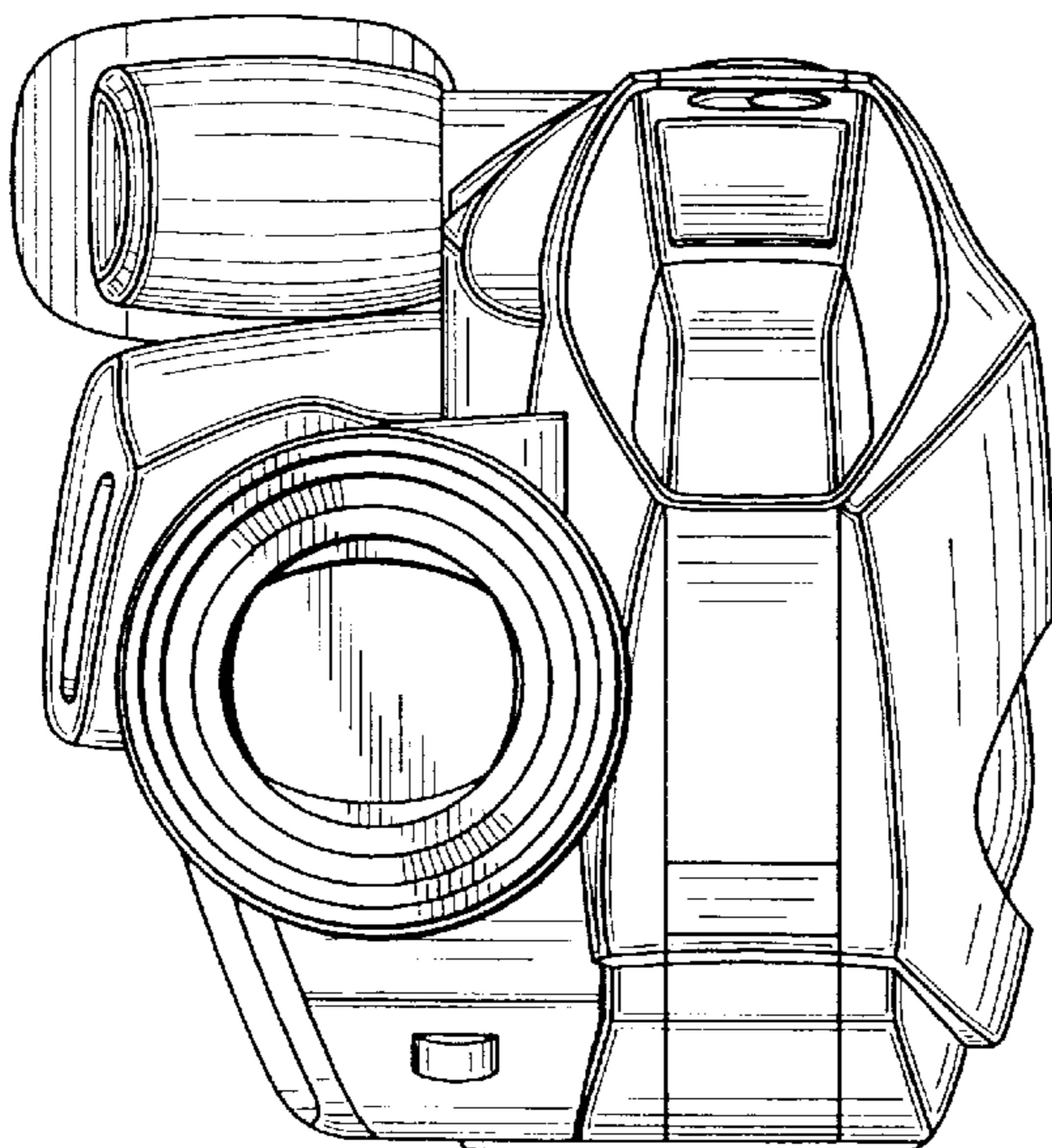


FIG. 3

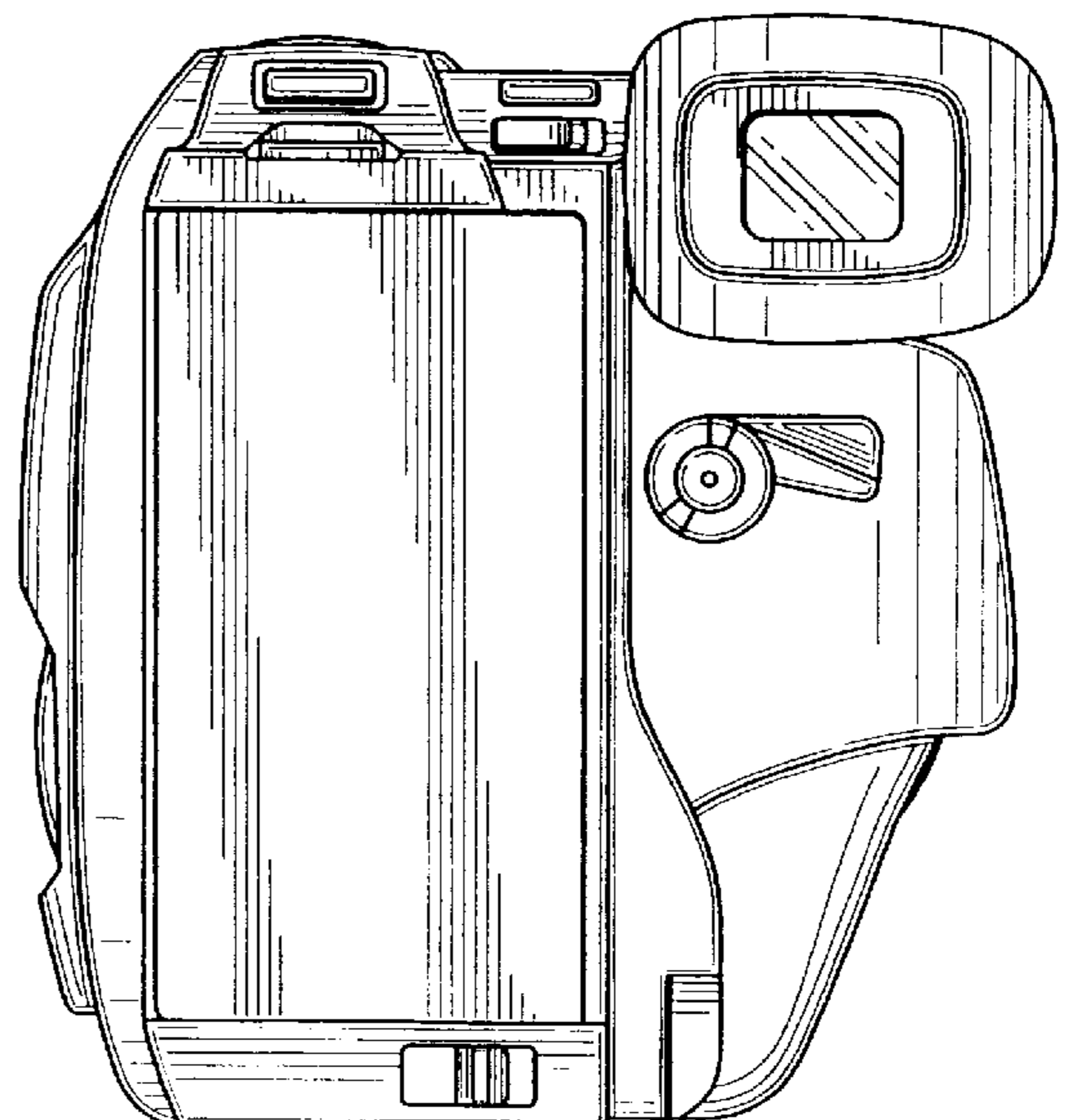


FIG. 4

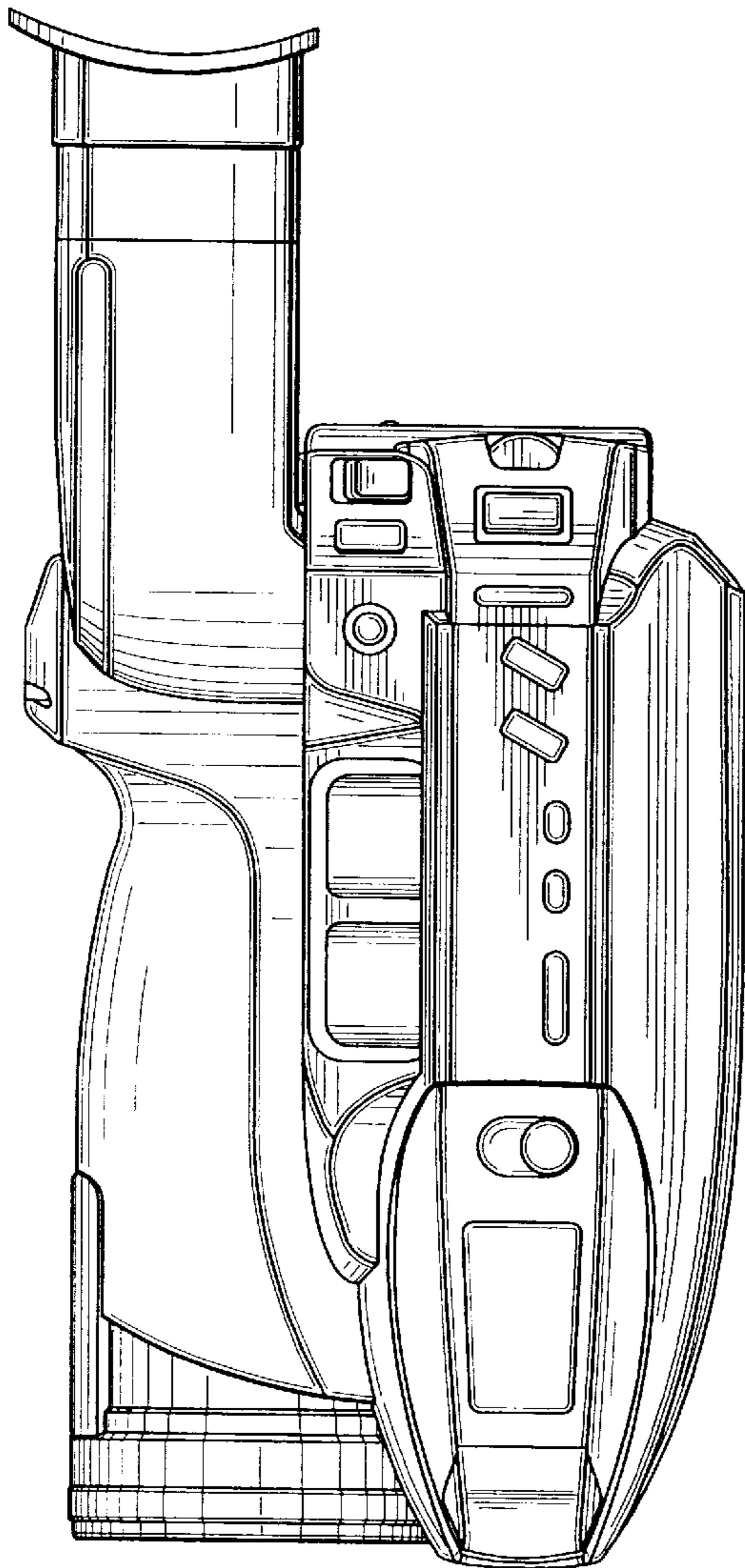


FIG. 5

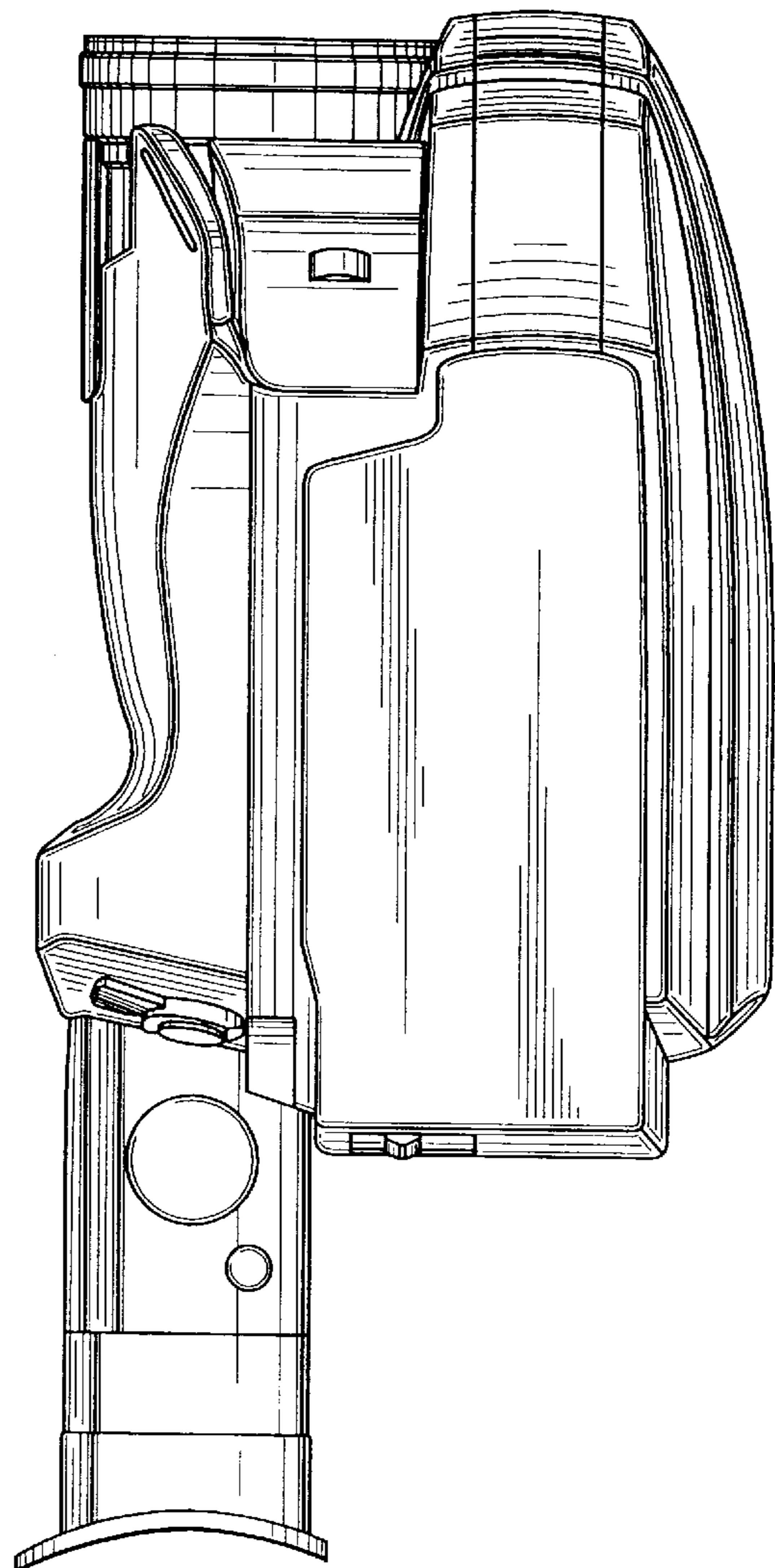


FIG. 6

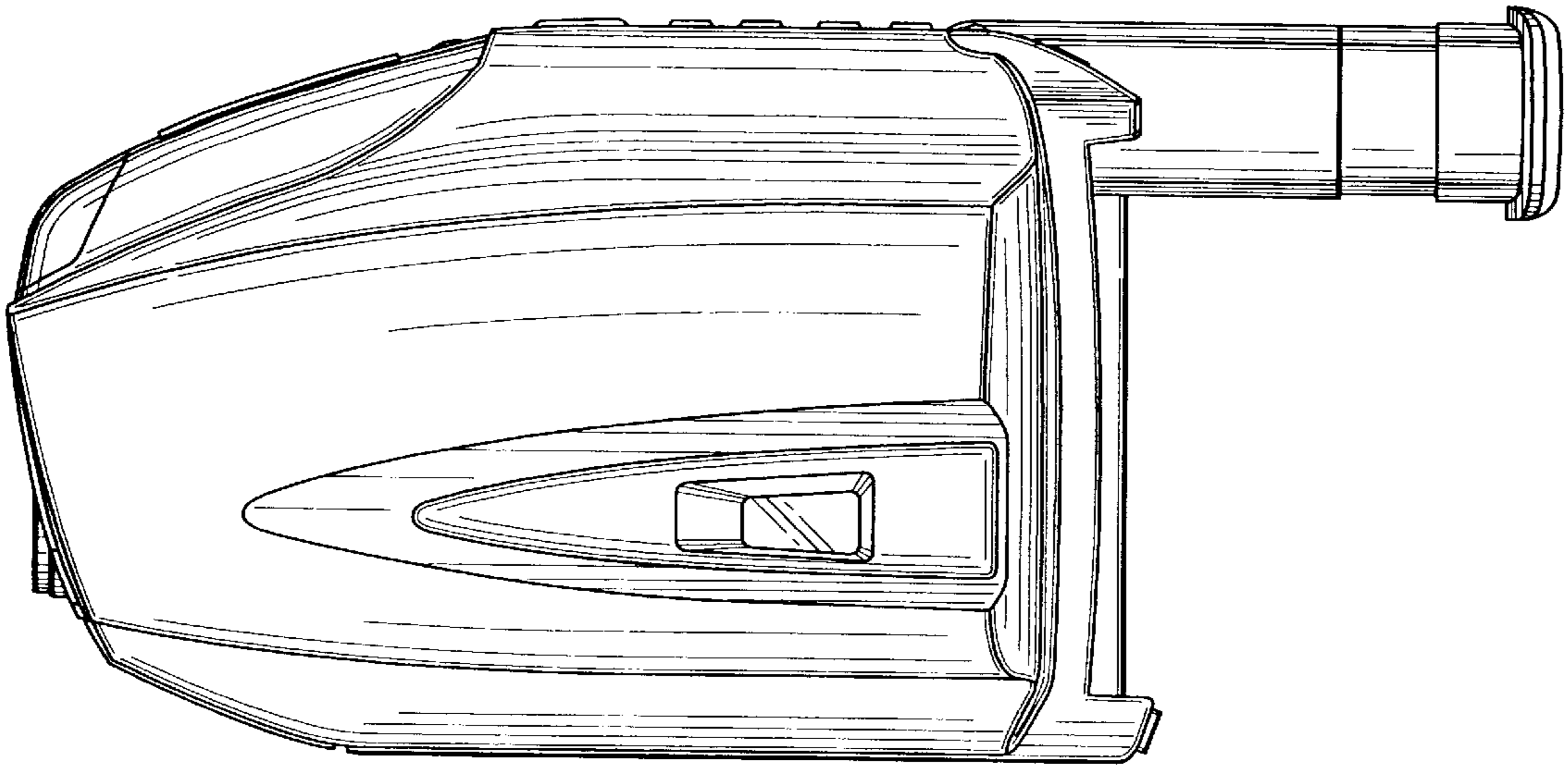


FIG. 7

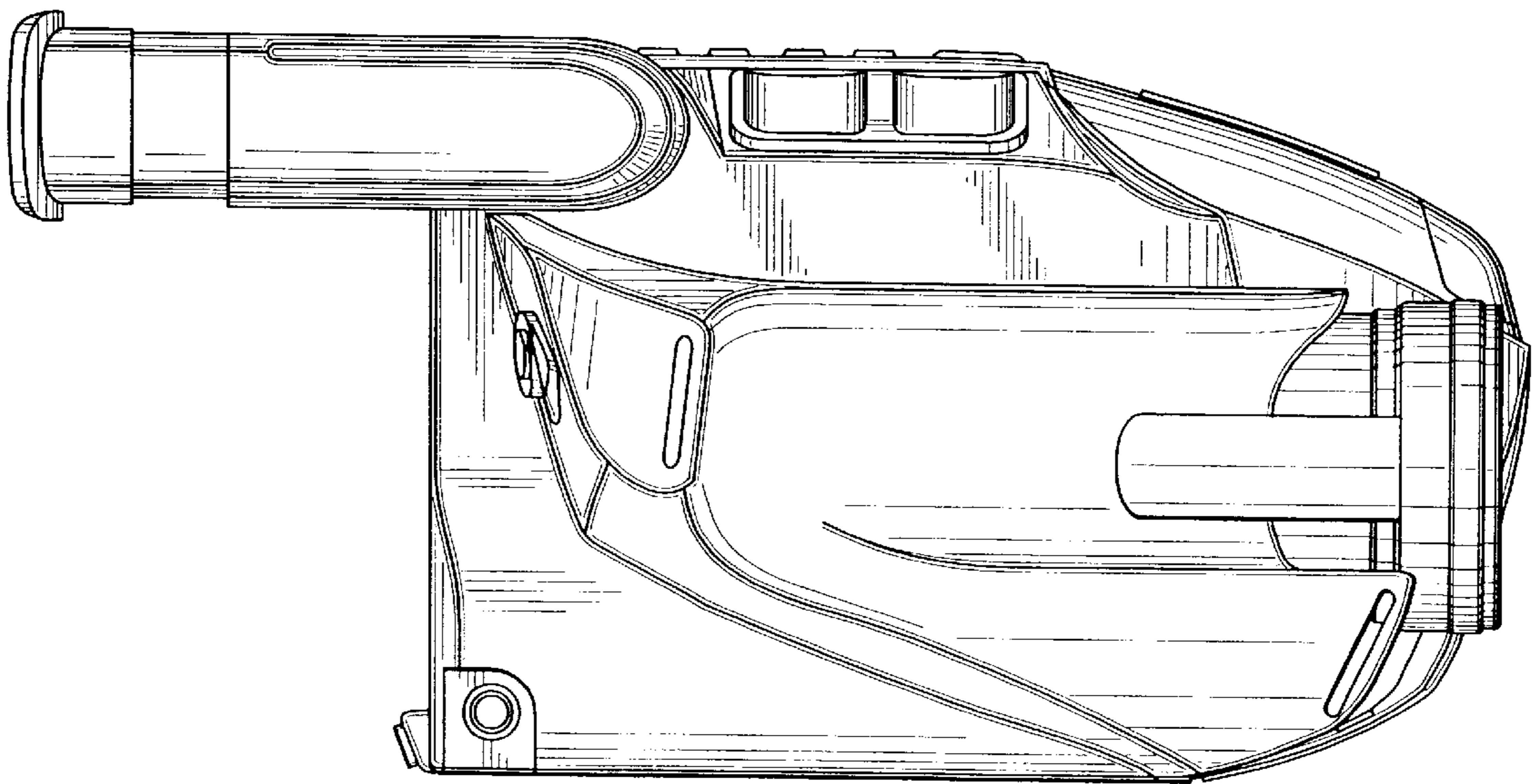


FIG. 8

