



US00D419168S

# United States Patent [19]

Franks et al.

[11] Patent Number: Des. 419,168

[45] Date of Patent: \*\* Jan. 18, 2000

[54] MICROSCOPE

[75] Inventors: **Richard L. Franks; Dianne S. Gerlach; Daniel E. James; David A. Middendorf; Bobby E. Mize; Cynthia A. Morgan; Stevens H. Scott; Klaus Wirbelauer; Gina C. Wofford**, all of Burlington, N.C.

[73] Assignee: **Carolina Biological Supply Company**, Burlington, N.C.

[\*\*] Term: **14 Years**

[21] Appl. No.: **29/104,026**

[22] Filed: **Apr. 27, 1999**

[51] LOC (7) Cl. .... **16-06**

[52] U.S. Cl. .... **D16/131**

[58] Field of Search ..... D16/130, 131, D16/133, 134; 359/375, 376, 381, 382, 383, 385, 388, 393

### [56] References Cited

#### U.S. PATENT DOCUMENTS

D. 195,998	8/1963	Auböck	.....	D16/133
D. 252,276	7/1979	Griffith	.....	D16/133
D. 260,402	8/1981	Hodgson	.....	D16/131
D. 291,702	9/1987	Kahute	.....	D16/131
D. 296,904	7/1988	Lukaszewski	.....	D16/131

D. 345,748	4/1994	Holbl	.....	D16/131
D. 354,761	1/1995	Komatsuzaki et al.	.....	D16/131
D. 395,664	6/1998	Nojima et al.	.....	D16/131
4,284,327	8/1981	Kraft et al.	.....	359/388
4,299,440	11/1981	Hodgson	.....	359/393

### OTHER PUBLICATIONS

Copy of cover page of catalog published Jan., 1998 entitled "Science and Math", together with copy of p. 623 showing a Student Microscope.

*Primary Examiner*—Paula A. Mortimer  
*Attorney, Agent, or Firm*—Olive & Olive, P.A.

### [57] CLAIM

The ornamental design for a microscope, as shown and described.

### DESCRIPTION

FIG. 1 is a perspective view of a microscope showing our new design, the reflective mirror being positioned at an acute angle for purpose of illustration. FIG. 2 is a front elevation view of FIG. 1; FIG. 3 is a rear elevation view of FIG. 1; FIG. 4 is a top view of FIG. 1; FIG. 5 is a right side view of FIG. 1; FIG. 6 is a left side view of FIG. 1; and, FIG. 7 is a bottom view of FIG. 1.

**1 Claim, 7 Drawing Sheets**

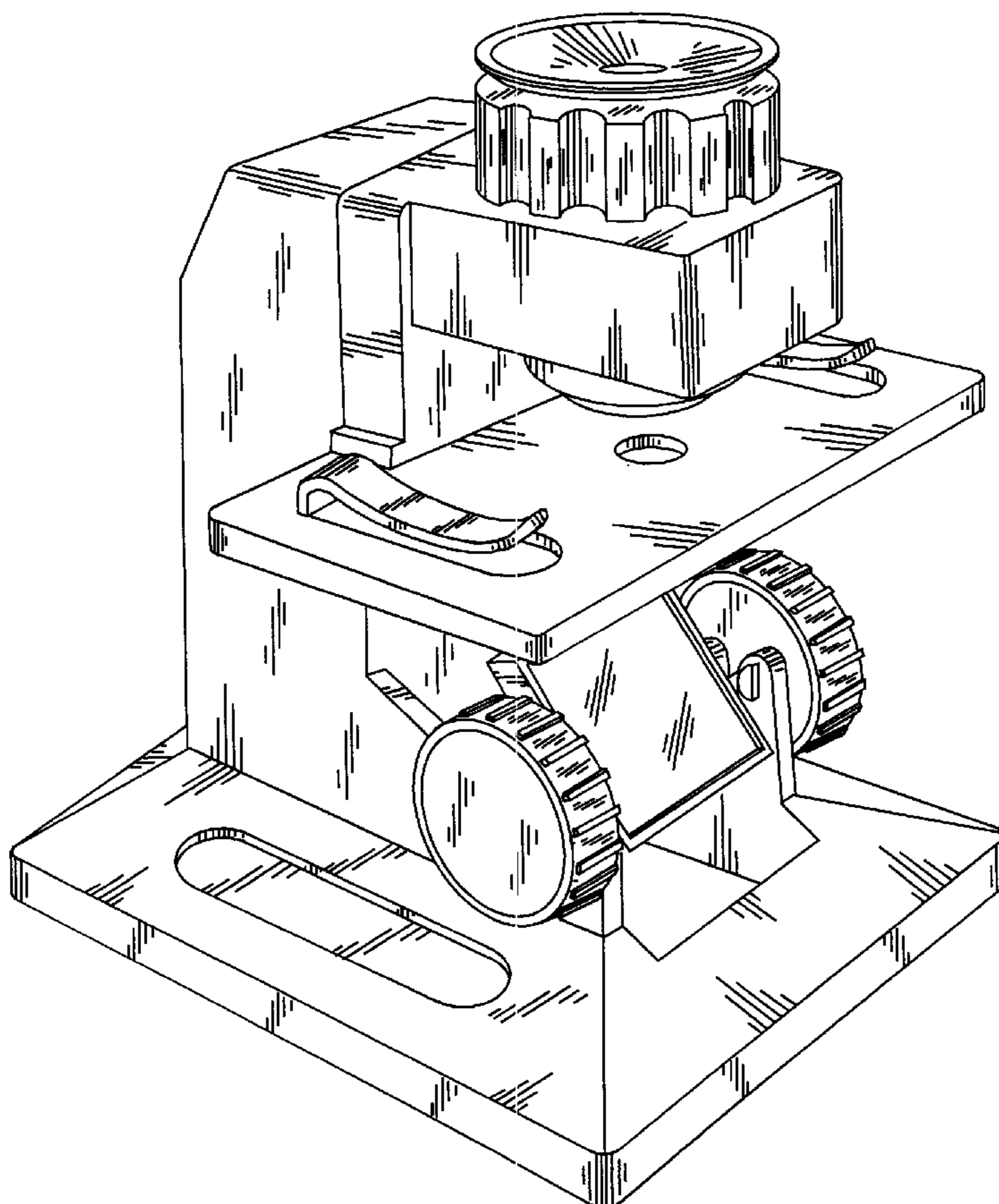


FIG. 1

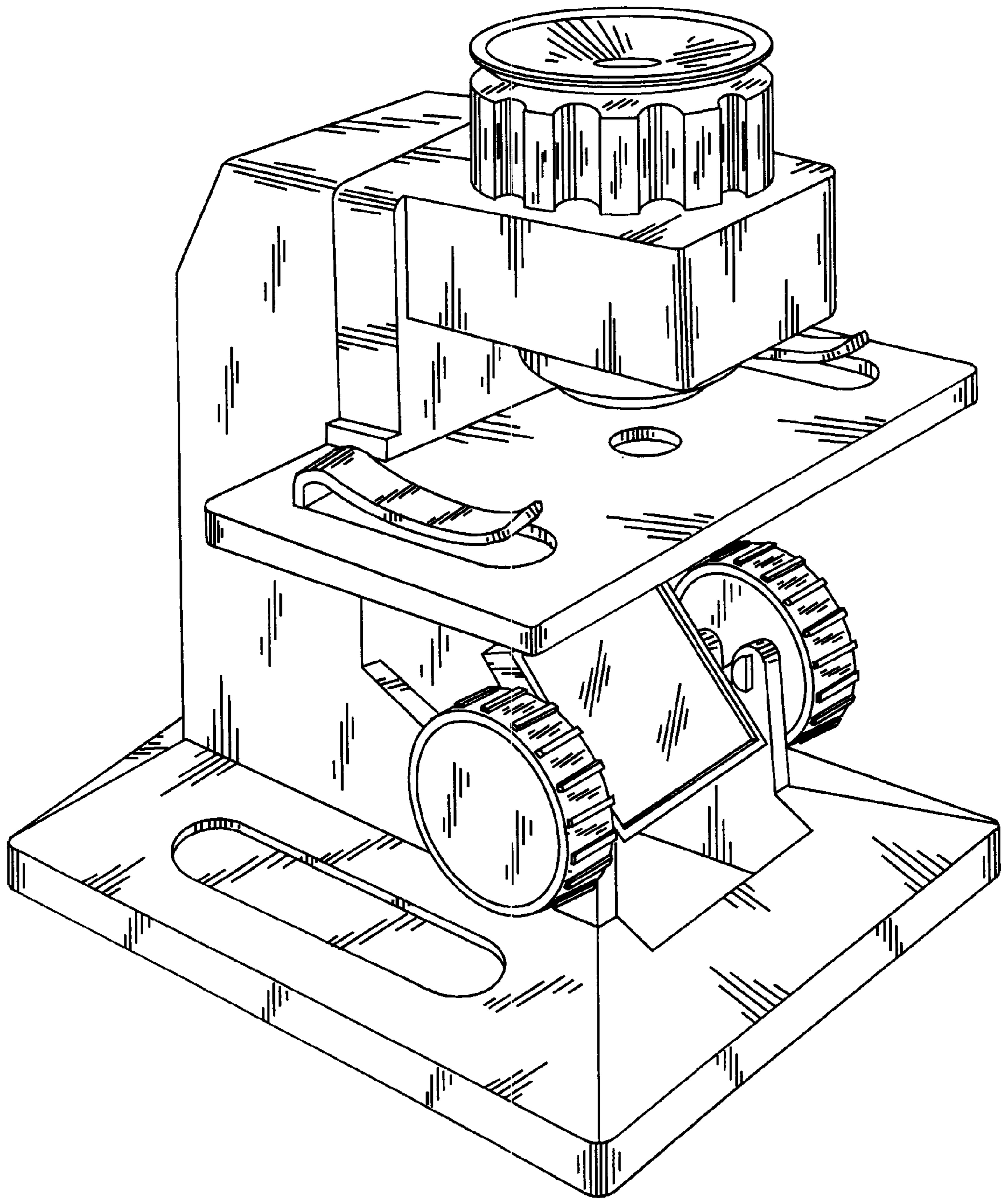


FIG. 2

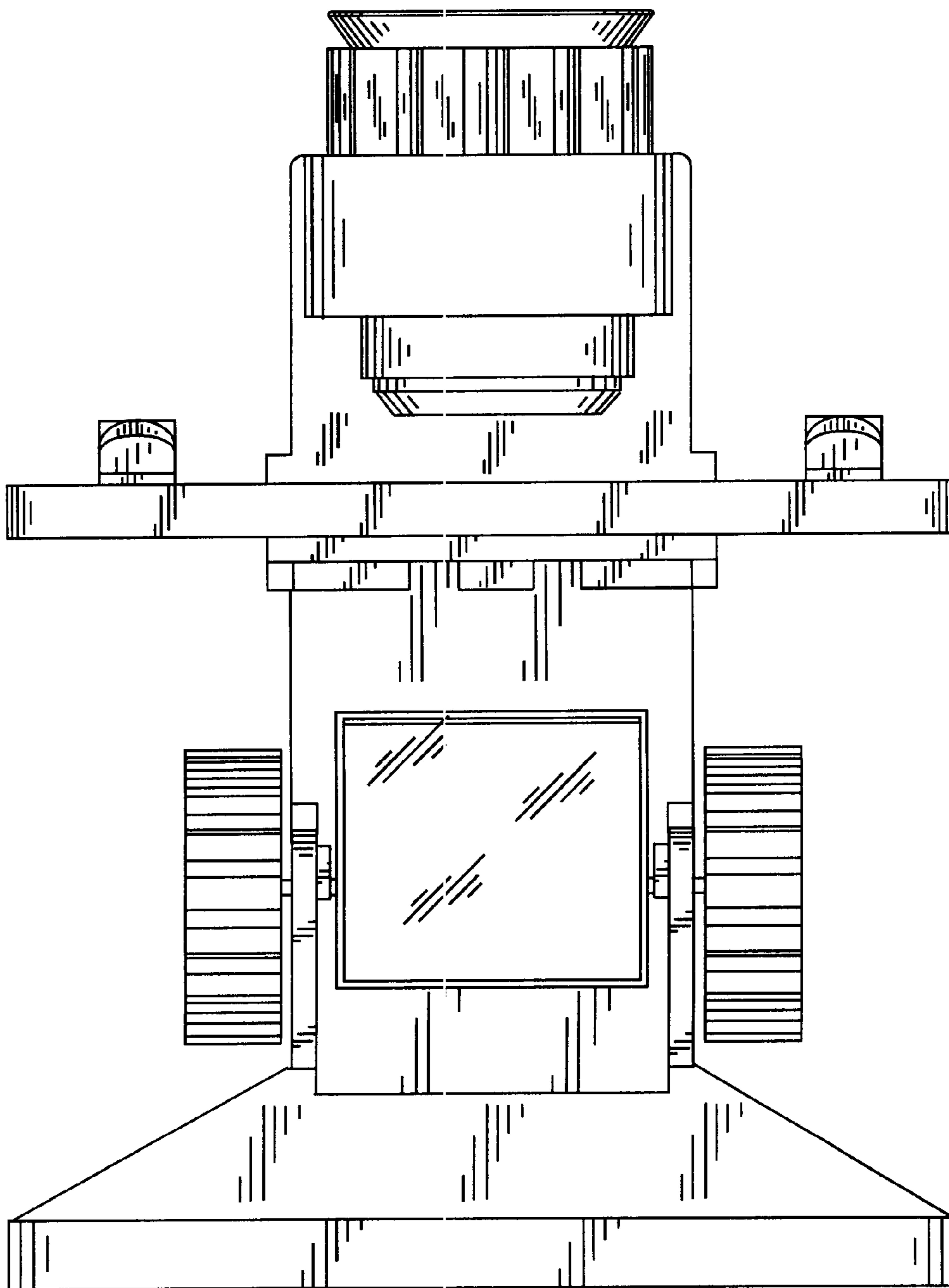


FIG. 3

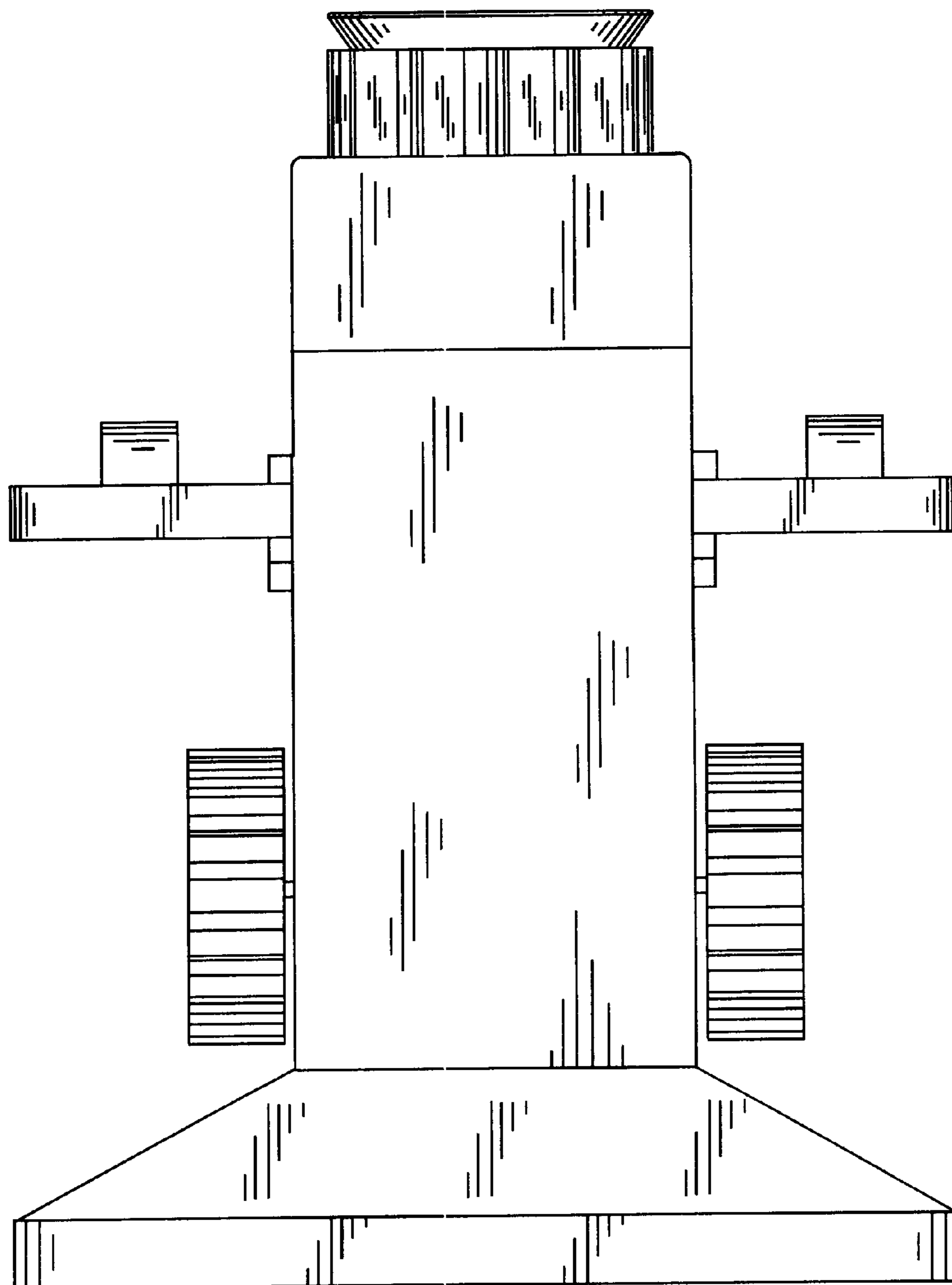


FIG. 4

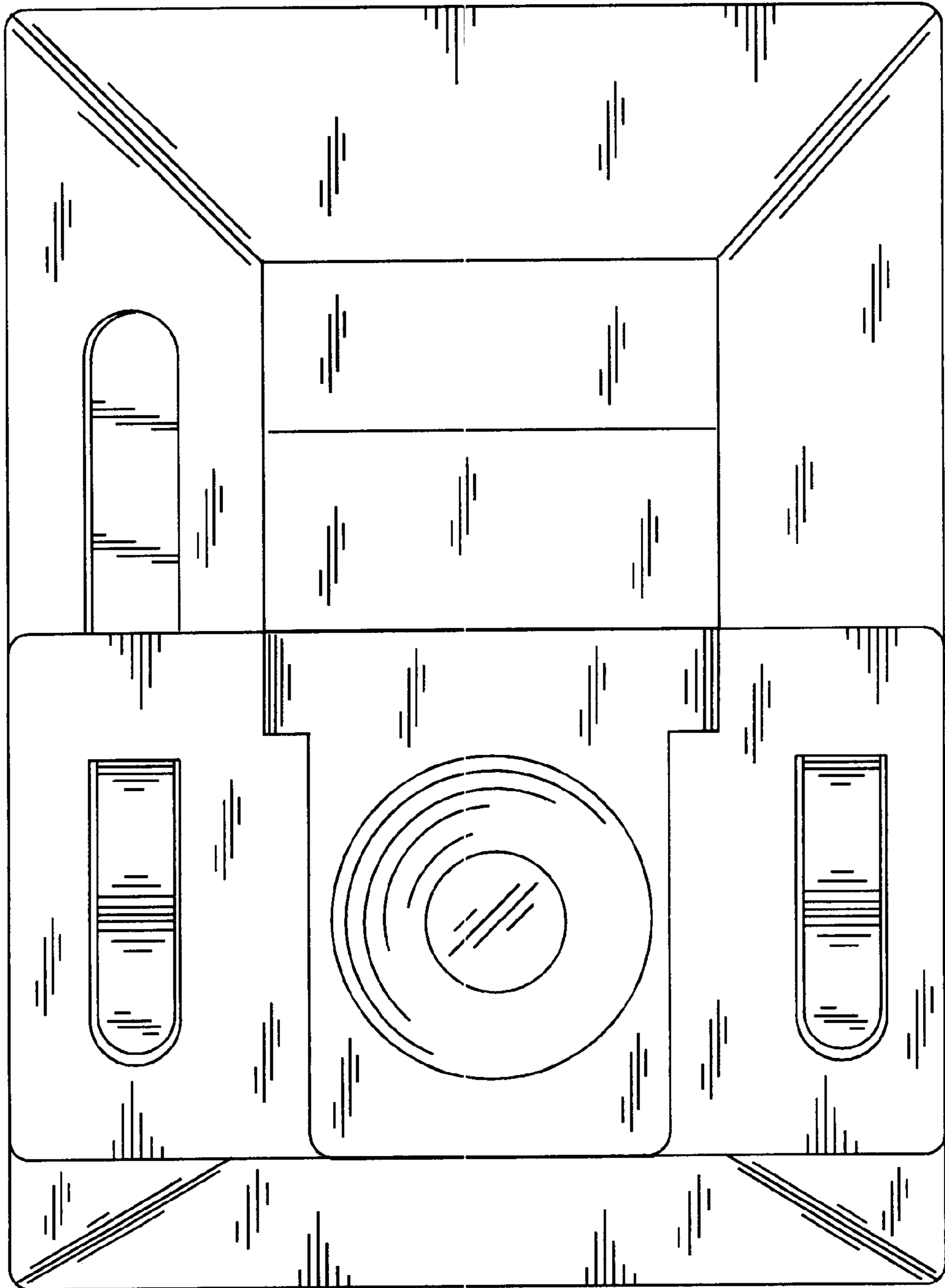




FIG. 5

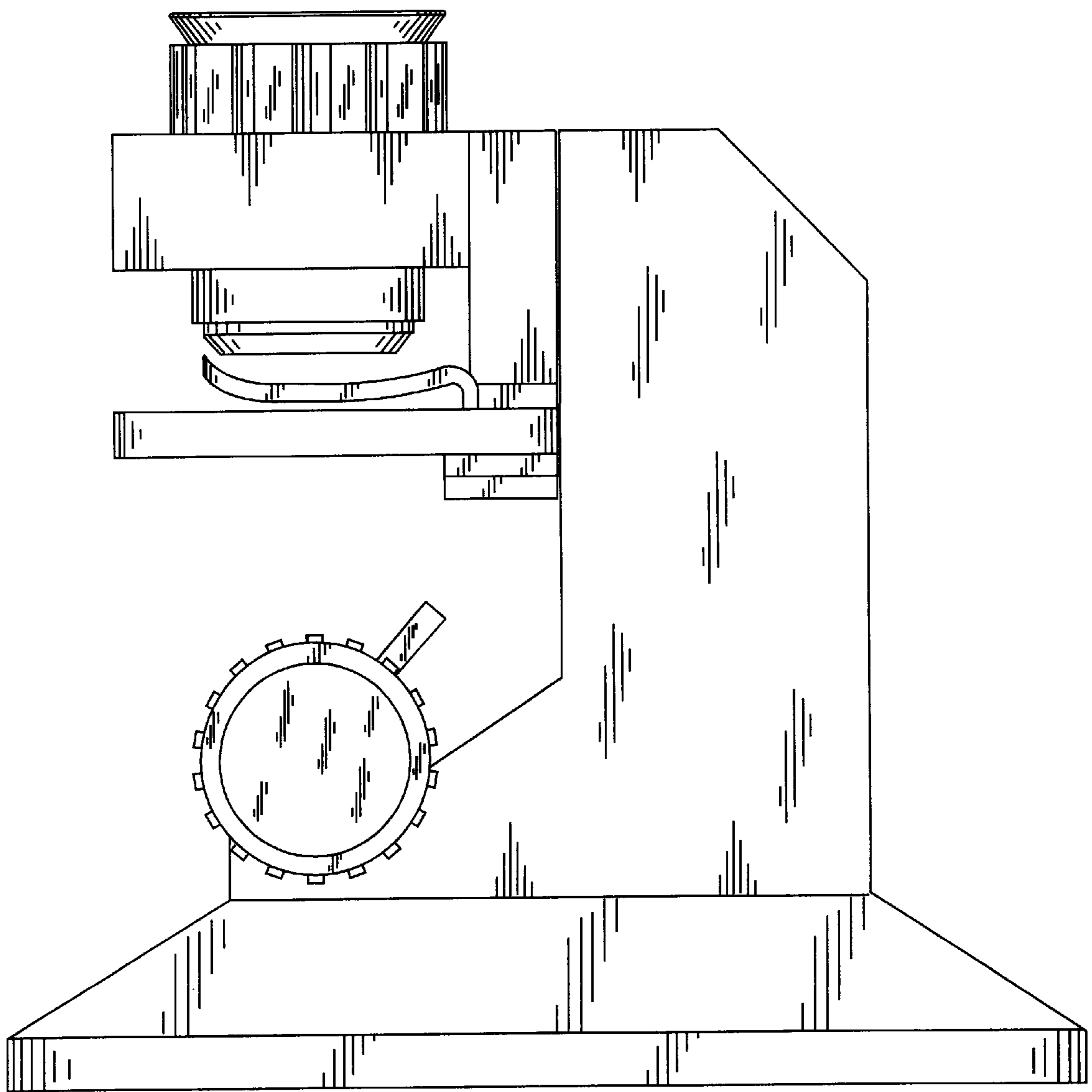


FIG. 6

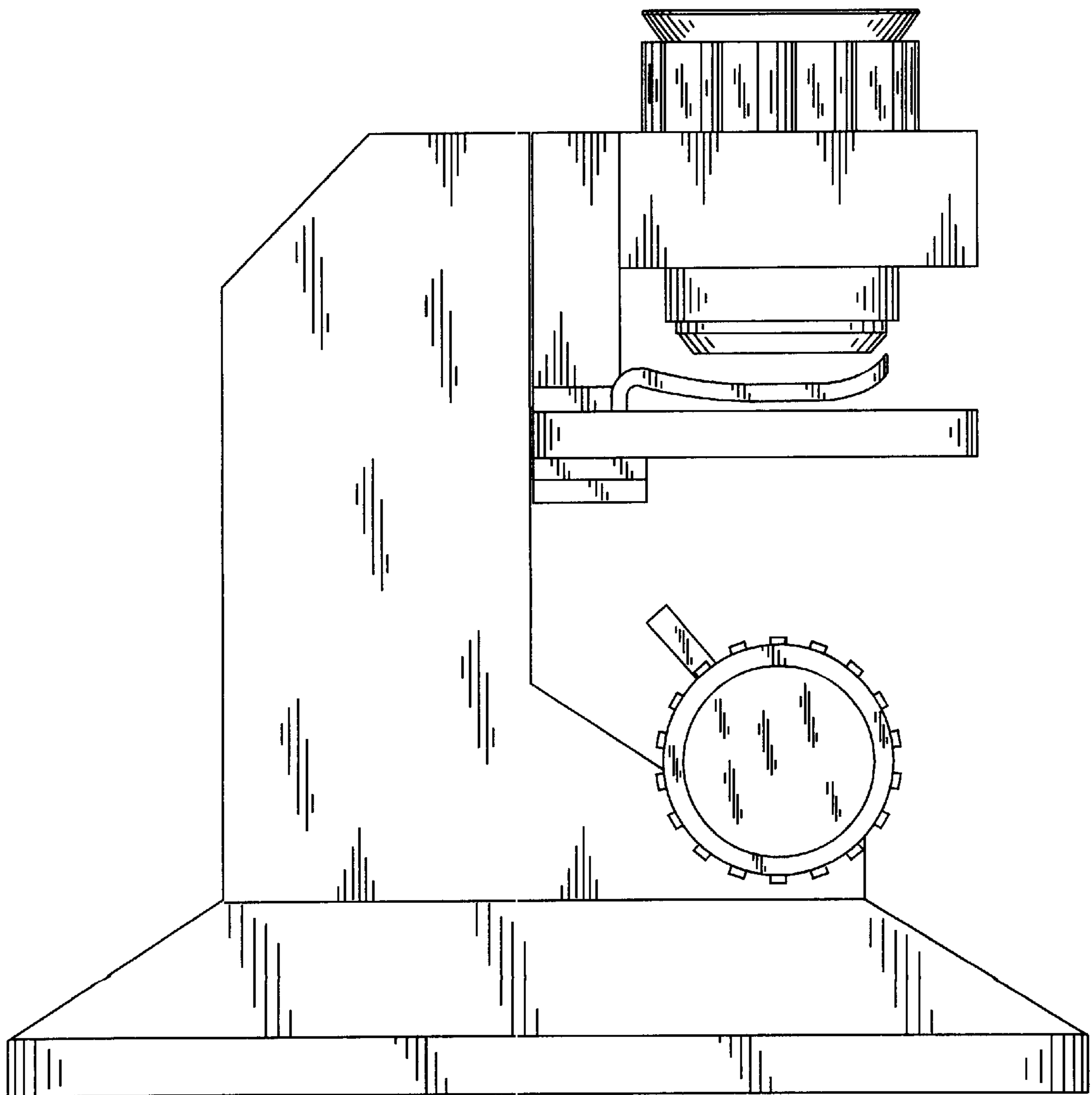


FIG. 7

