



US00D419165S

United States Patent [19]

Müller et al.

[11] **Patent Number: Des. 419,165**

[45] **Date of Patent: ** Jan. 18, 2000**

[54] **WOODWORKING MACHINE**

D. 336,749 6/1993 Lenard et al. D15/127

[75] Inventors: **Wolfgang Müller**, Schwaigern; **Heiner Englert**, Lauda-Königshofen, both of Germany

Primary Examiner—Antoine Duval Davis
Attorney, Agent, or Firm—Robert W. Becker & Associates

[73] Assignee: **Michael Weinig Aktiengesellschaft**, Tauberbischofsheim, Germany

[57] **CLAIM**

[**] Term: **14 Years**

The ornamental design for a woodworking machine, as shown.

[21] Appl. No.: **29/089,658**

DESCRIPTION

[22] Filed: **Jun. 19, 1998**

FIG. 1 is a perspective front and left side view of a woodworking machine showing our new design;

[30] **Foreign Application Priority Data**

Dec. 19, 1997 [DE] Germany M 97 11 756

FIG. 2 is a perspective front and right side view thereof;

[51] **LOC (7) Cl.** **15-09**

FIG. 3 is a right side view thereof;

[52] **U.S. Cl.** **D15/127**

FIG. 4 is a left side view thereof;

[58] **Field of Search** D15/127-132;
241/227, 34, 226, 30; 209/139.1; 29/560;
408/38; 409/64, 89, 160, 201, 210

FIG. 5 is a front view thereof;

FIG. 6 is a rear view thereof;

FIG. 7 is a top view thereof; and,

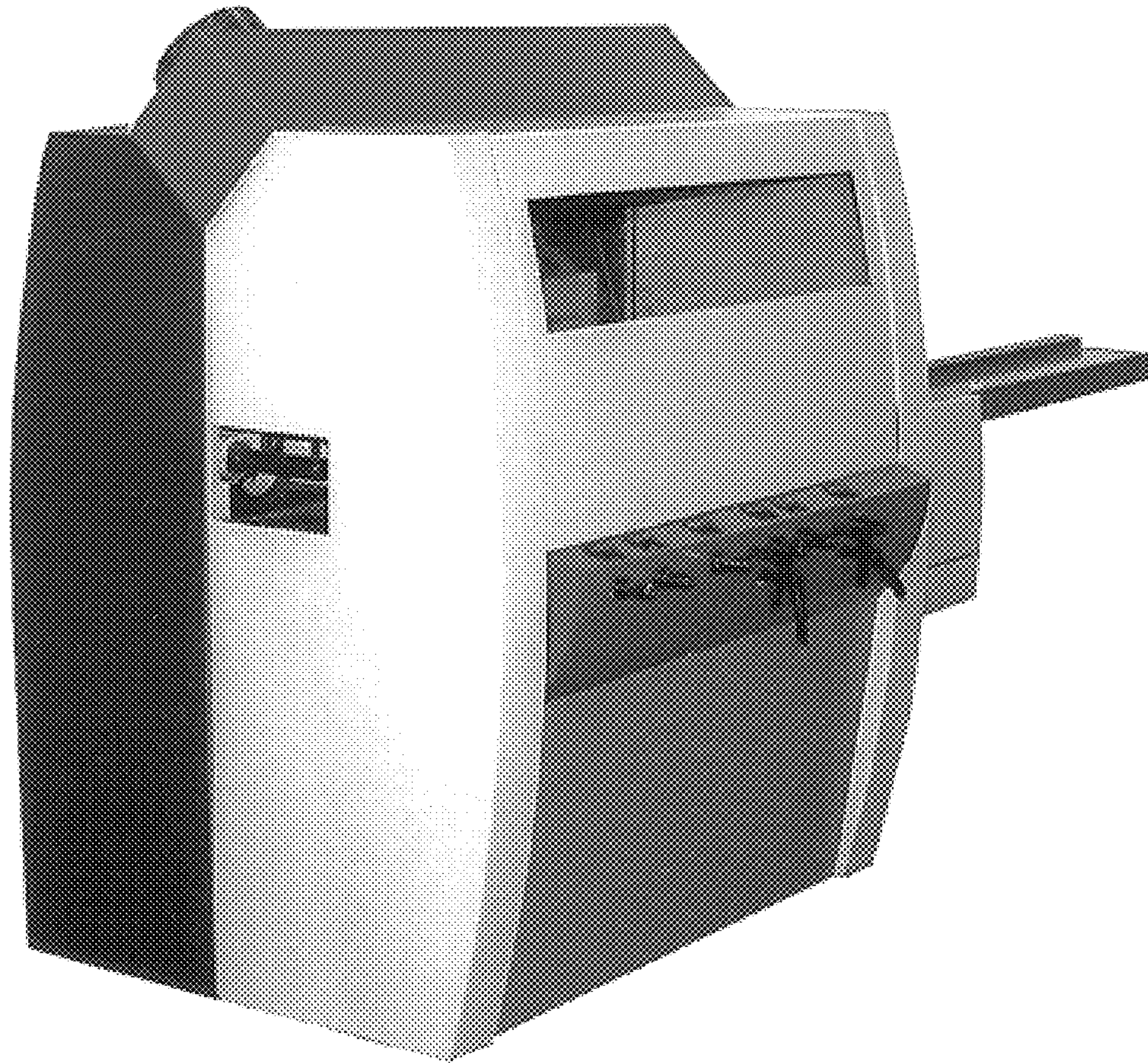
FIG. 8 is a bottom view thereof.

[56] **References Cited**

U.S. PATENT DOCUMENTS

D. 328,467 8/1992 Maleschew D15/131

1 Claim, 4 Drawing Sheets



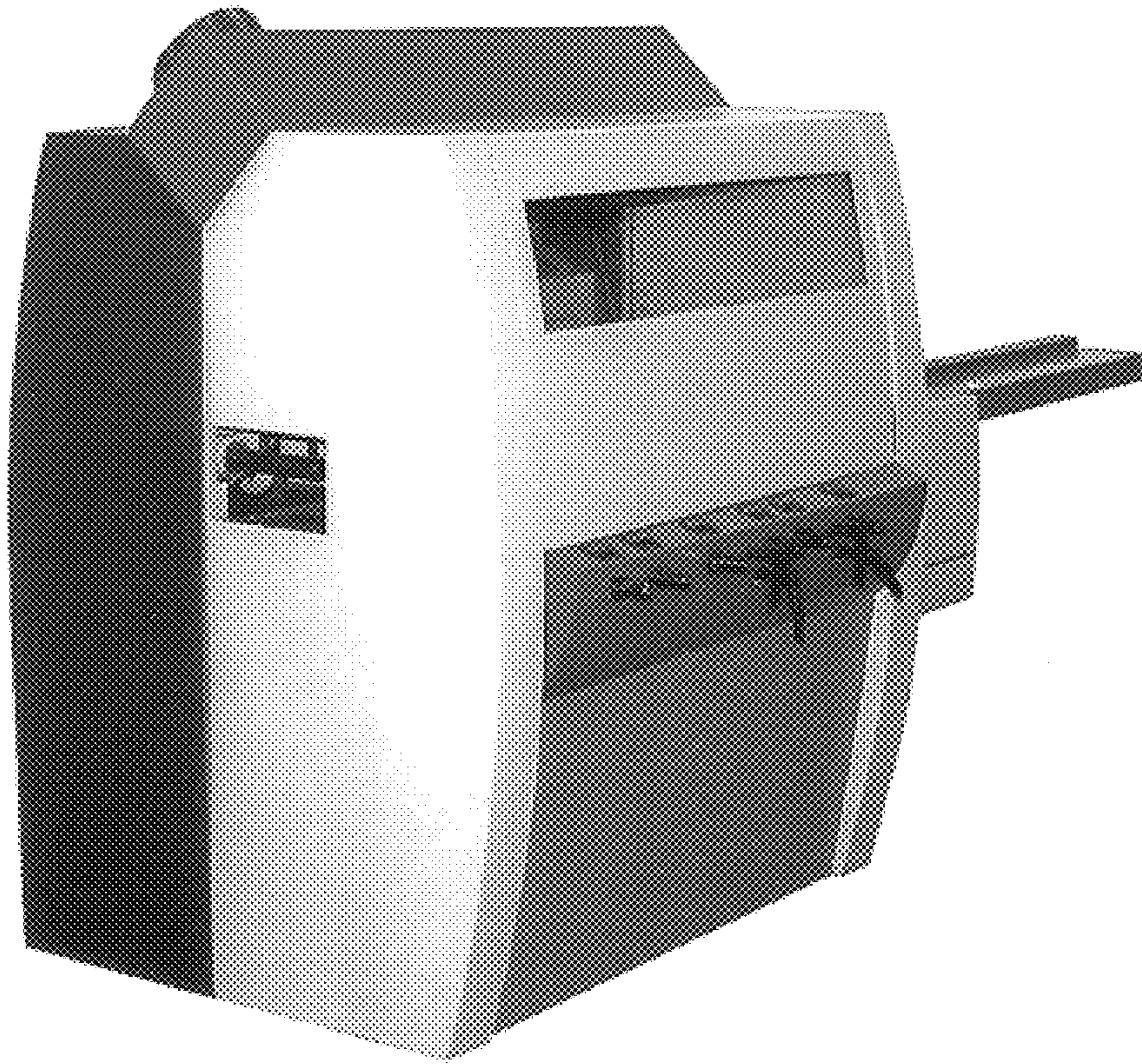


Fig. 1

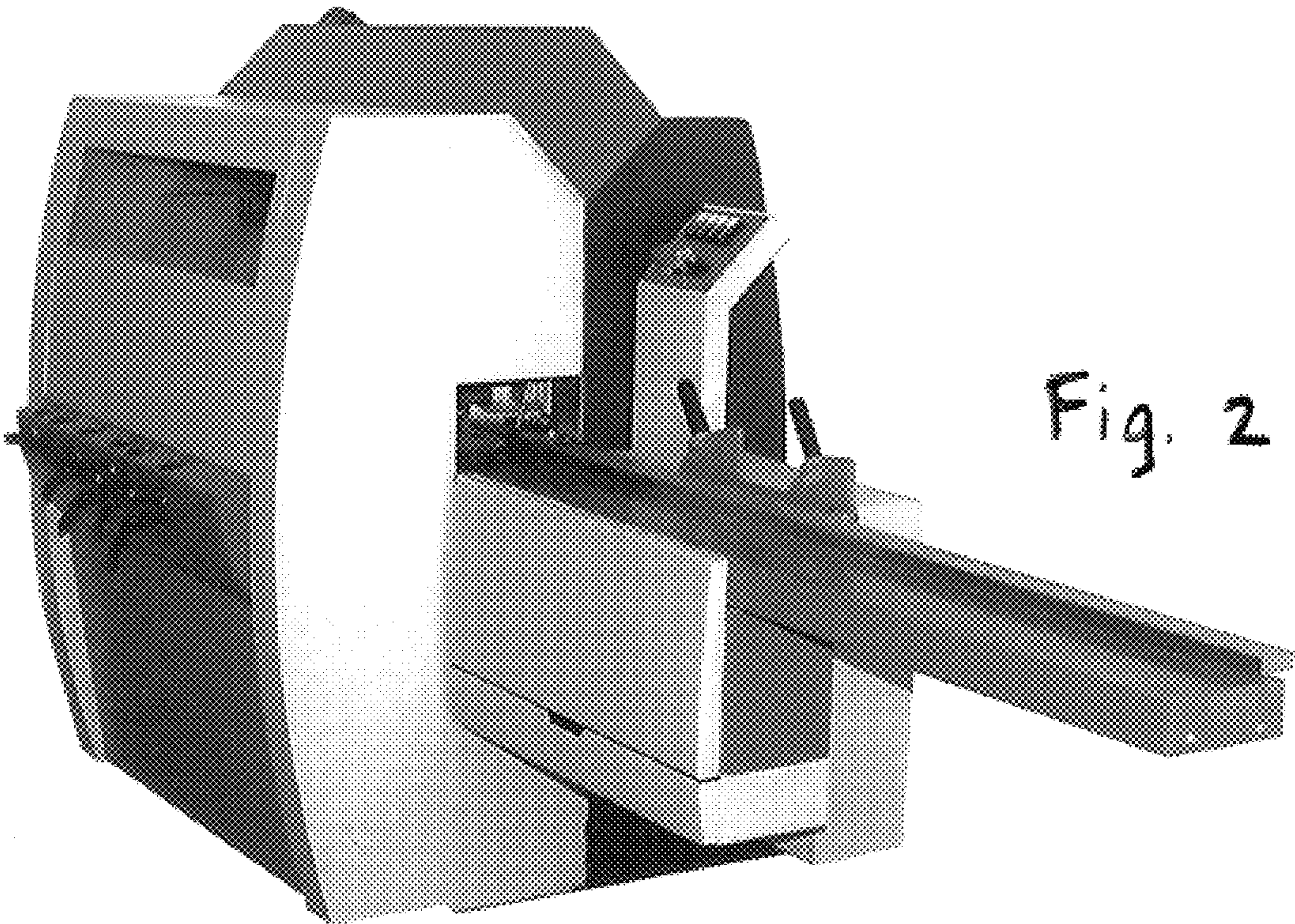


Fig. 2

Fig. 3

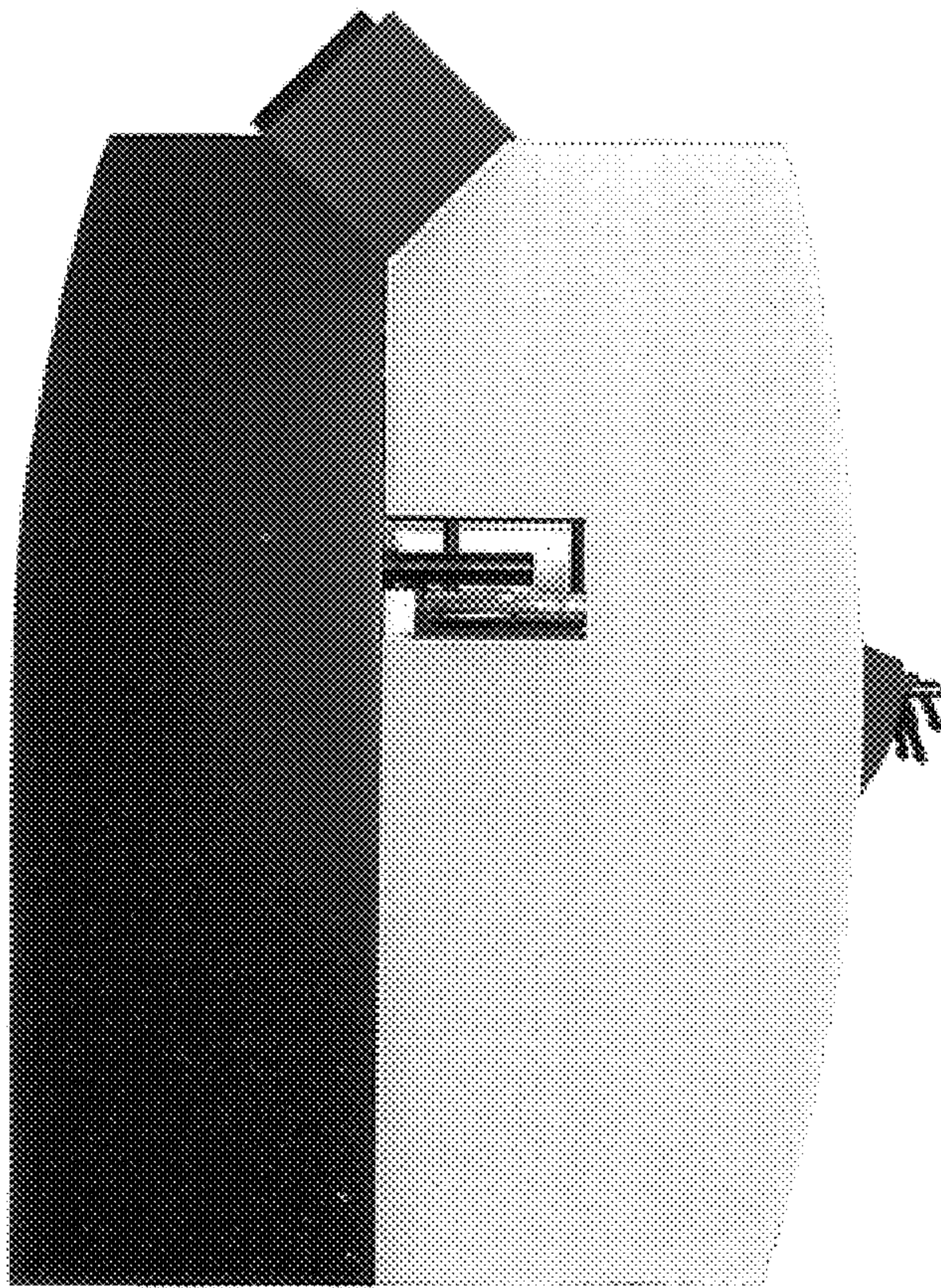
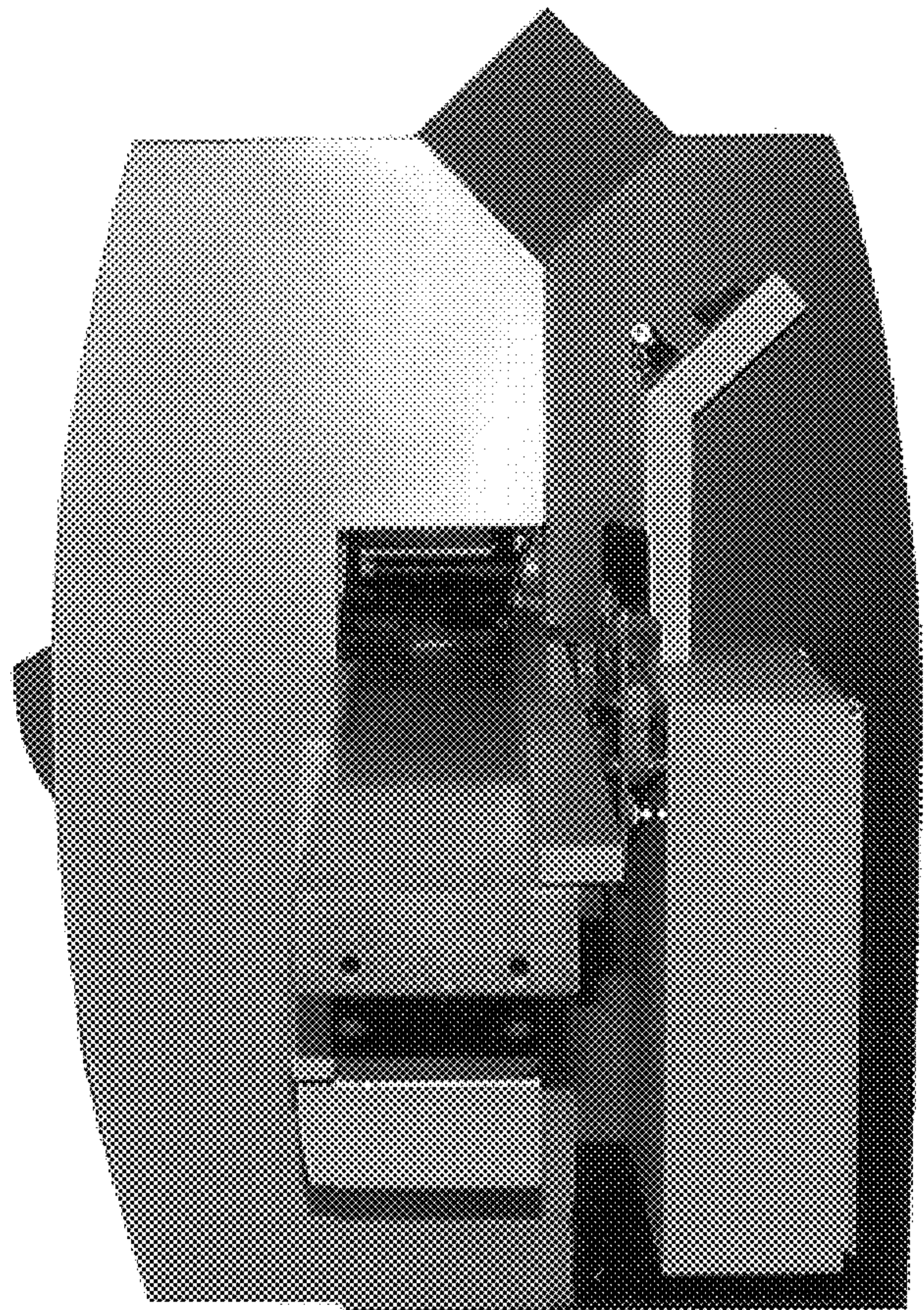


Fig. 4

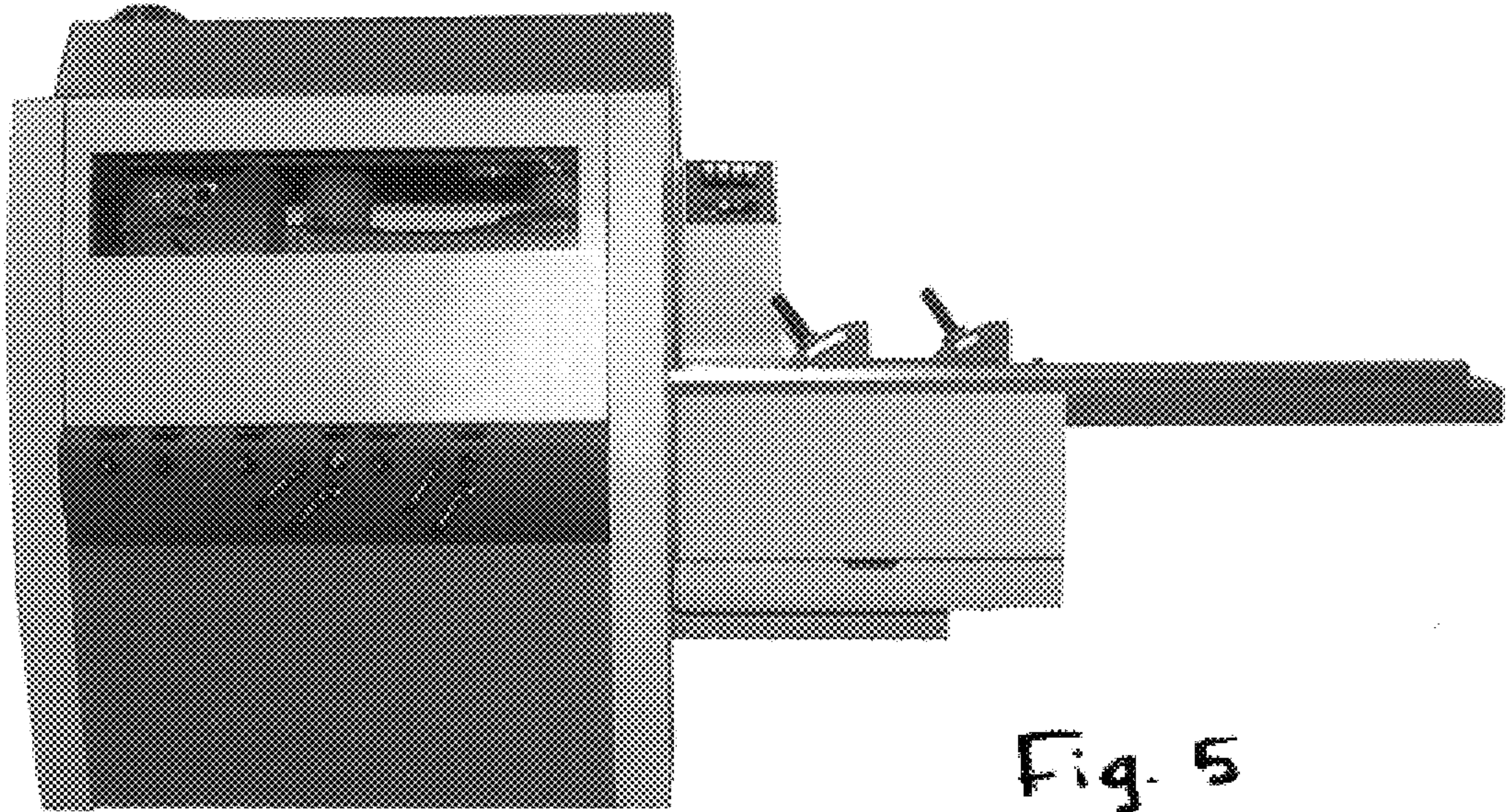


Fig. 5

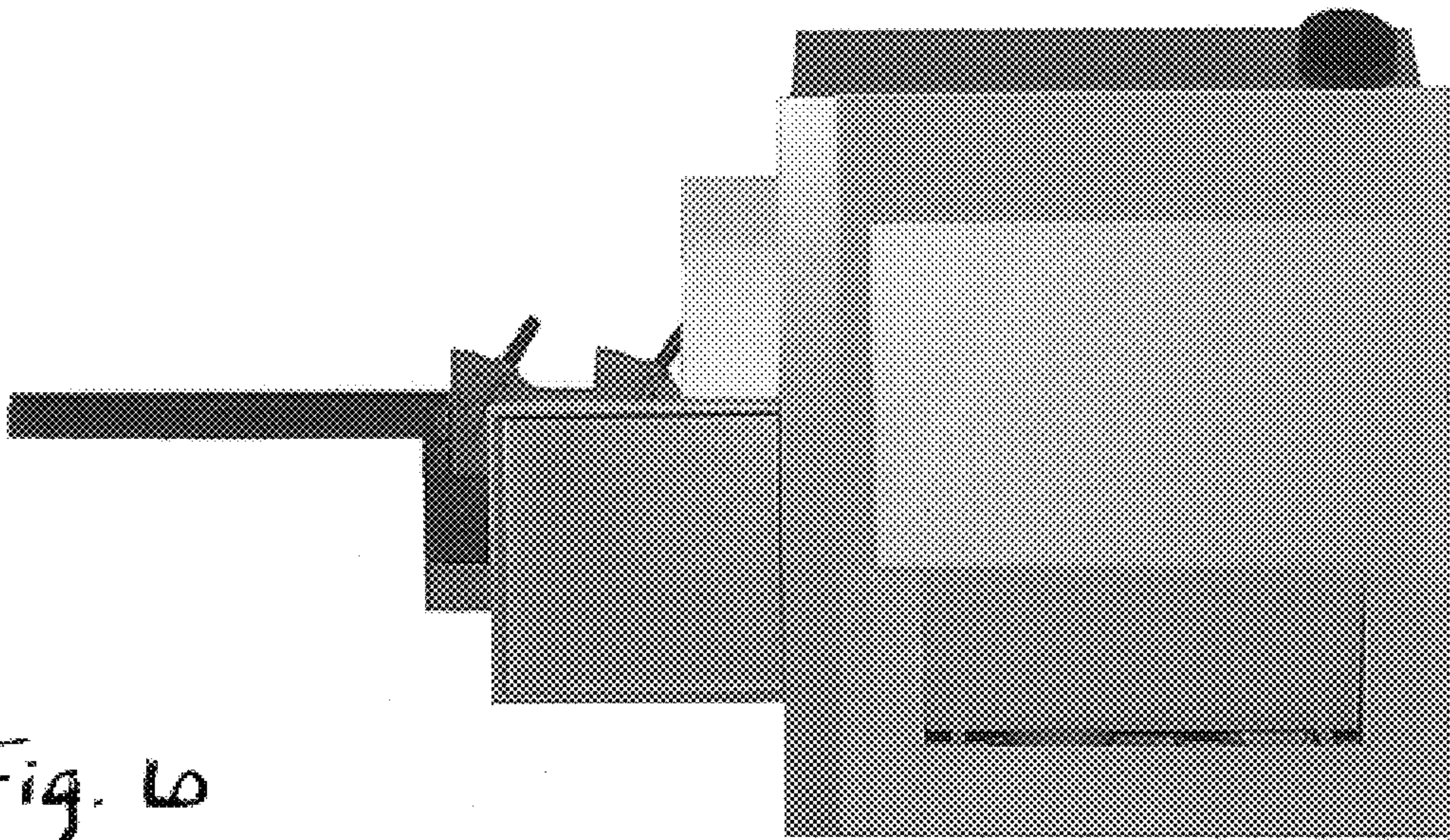


Fig. 6

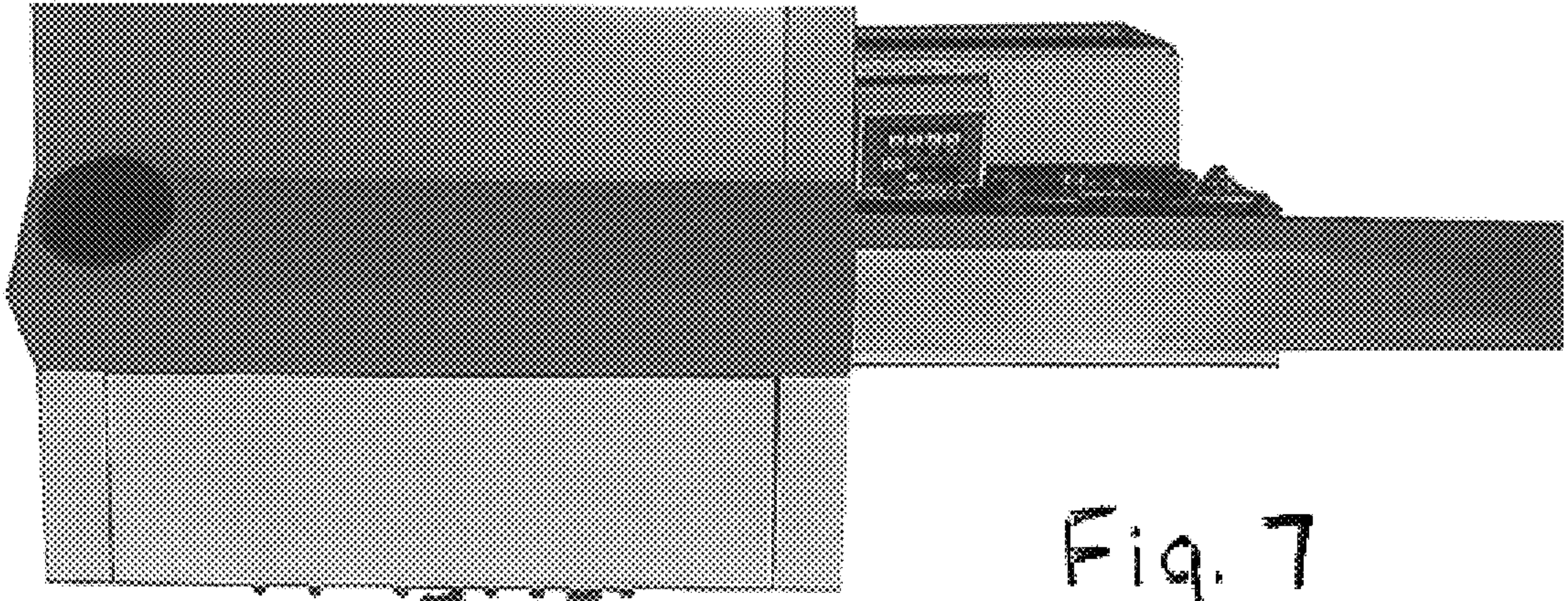


Fig. 7

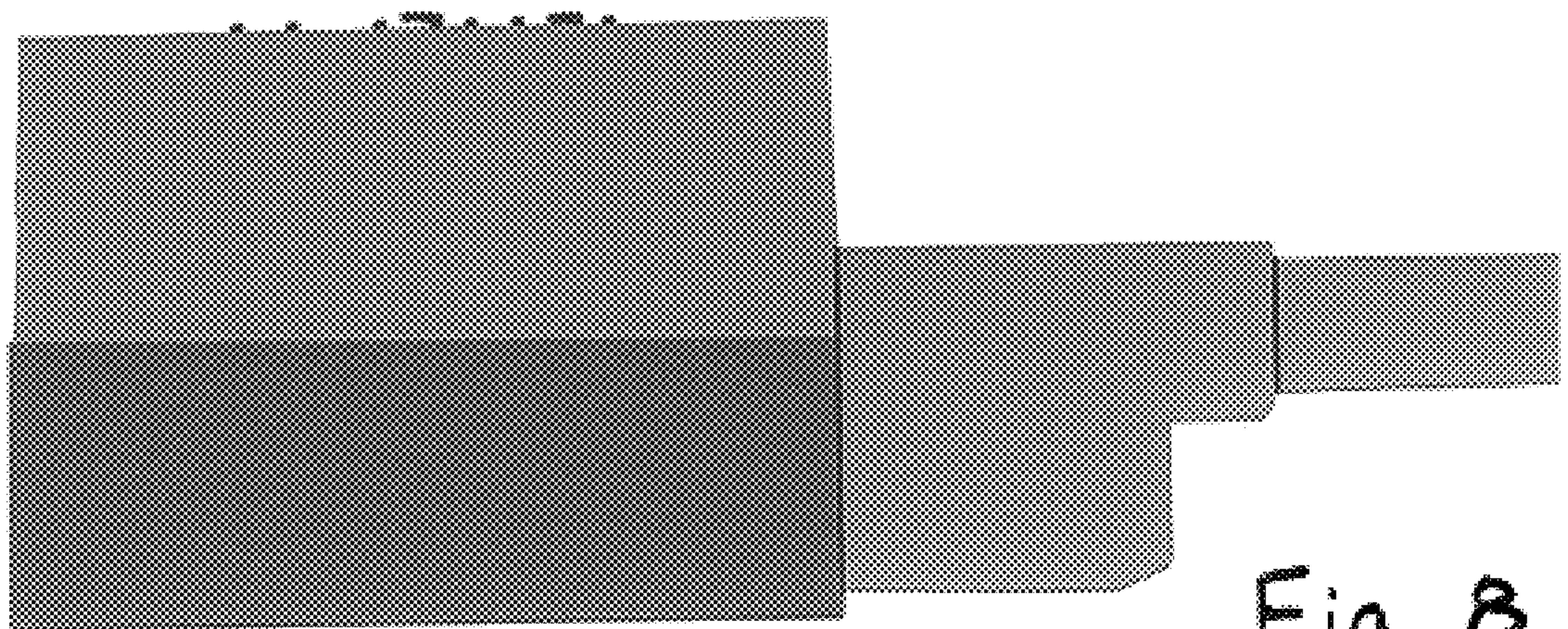


Fig. 8