



US00D419164S

United States Patent [19]
Heiler et al.

[11] **Patent Number: Des. 419,164**
[45] **Date of Patent: ** Jan. 18, 2000**

[54] **HOOD AND GRILL**
[75] Inventors: **Roland Heiler**, Buxheim; **Johann Epple**, Marktobendorf, both of Germany
[73] Assignee: **AGCO GmbH & Co.**, Germany
[**] Term: **14 Years**

[21] Appl. No.: **29/093,671**
[22] Filed: **Sep. 16, 1998**

[51] **LOC (7) Cl.** **15-03**
[52] **U.S. Cl.** **D15/31; D12/163**
[58] **Field of Search** **D15/10, 14-17, D15/22-26, 28, 31; D12/163-165; 56/17.5, 249, 255, 295, 320.1, 320.2; 180/89.1, 89.12, 900**

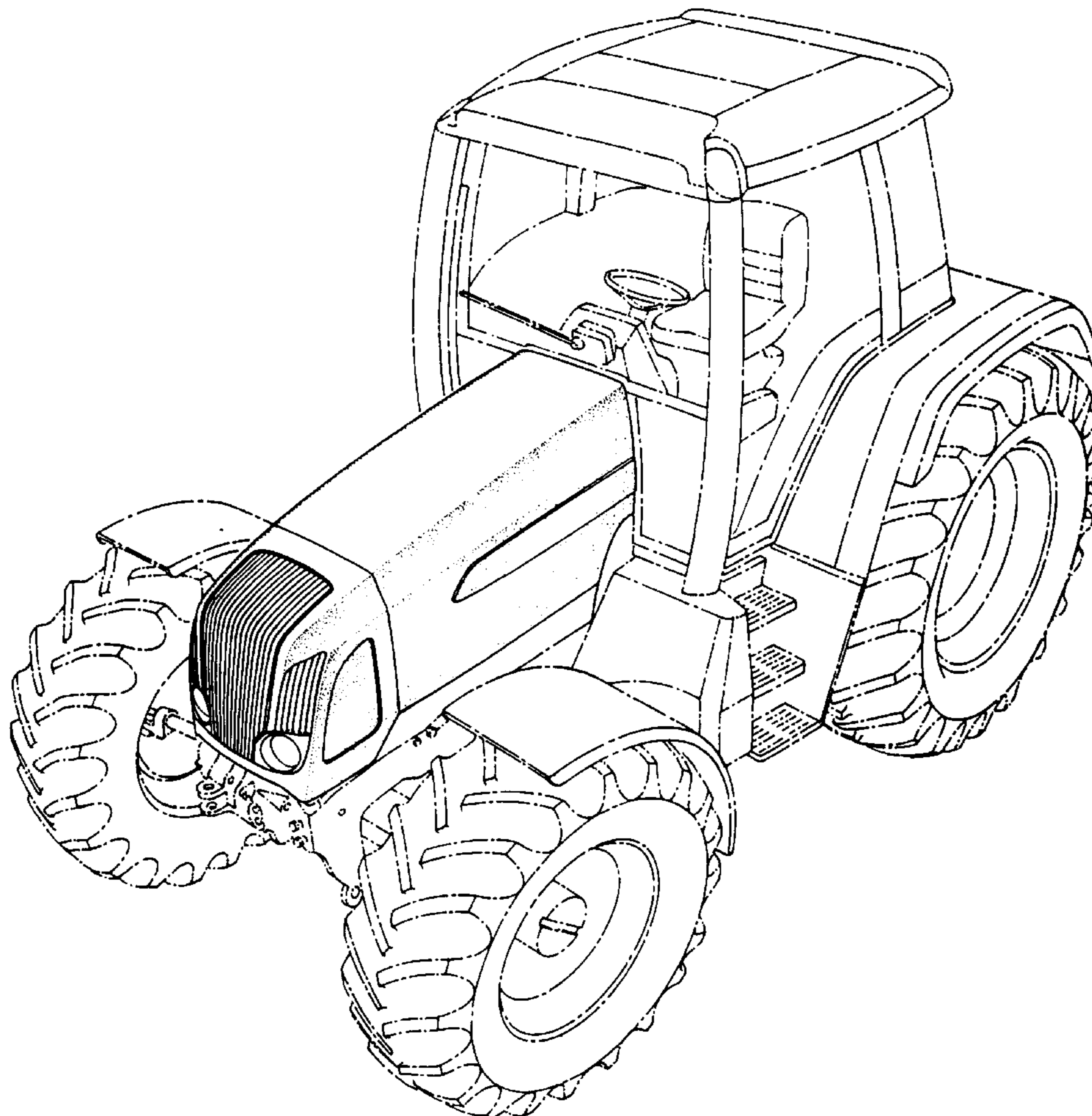
[56] **References Cited**
U.S. PATENT DOCUMENTS
D. 230,296 2/1974 Leinhauser et al. D15/31
D. 279,569 7/1985 Miggels et al. D15/31
D. 341,365 11/1993 Little et al. D15/31

D. 365,578 12/1995 Westimayer et al. D15/31
D. 389,492 1/1998 Schmidt et al. D15/31
Primary Examiner—Sandra L. Morris
Attorney, Agent, or Firm—Troutman Sanders LLP; Gerald R. Boss, Esq

[57] **CLAIM**
The ornamental design for a hood and grill, as shown and described.

DESCRIPTION
FIG. 1 is an isometric view of the hood and grill showing our new design as mounted on a tractor.
FIG. 2 is a left side view of the hood and grill showing our new design, the right side view being a mirror image of the left side view.
FIG. 3 is a top view of the hood and grill showing our new design; and,
FIG. 4 is a front view of the hood and grill showing our new design.
The broken line showing of the tractor is for illustrative purposes only, and forms no part of the claimed design.

1 Claim, 2 Drawing Sheets



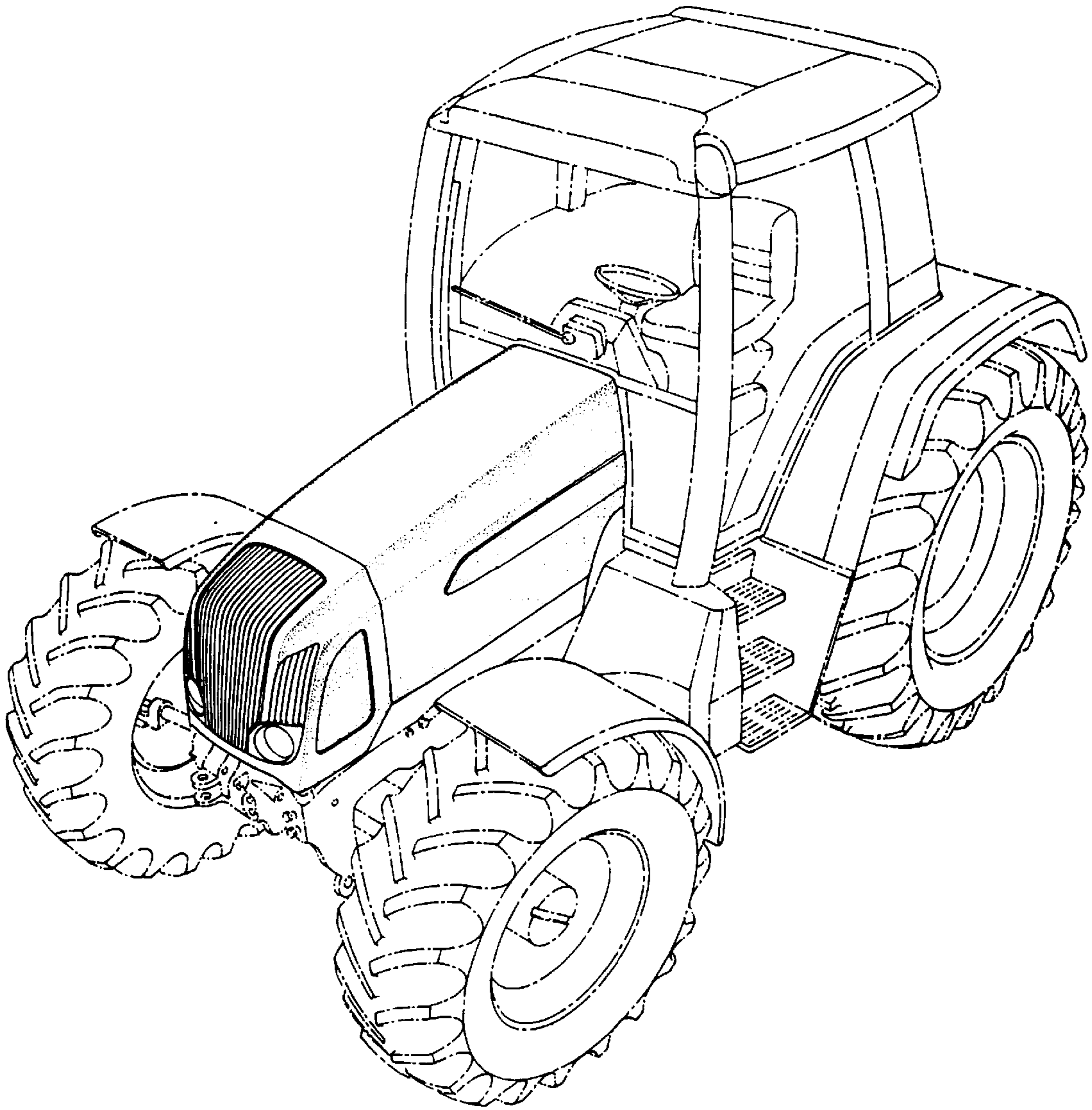


FIG 1

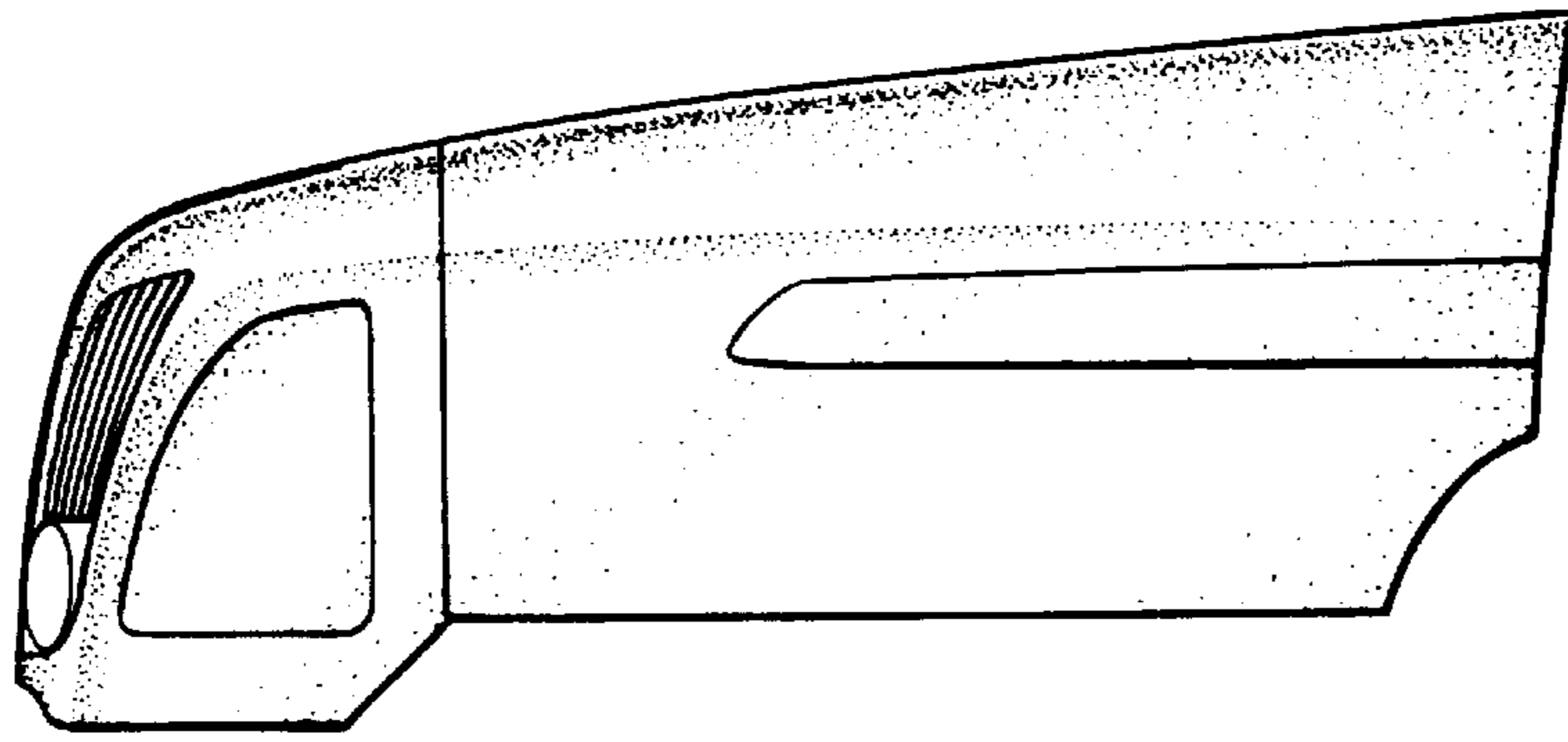


FIG 2

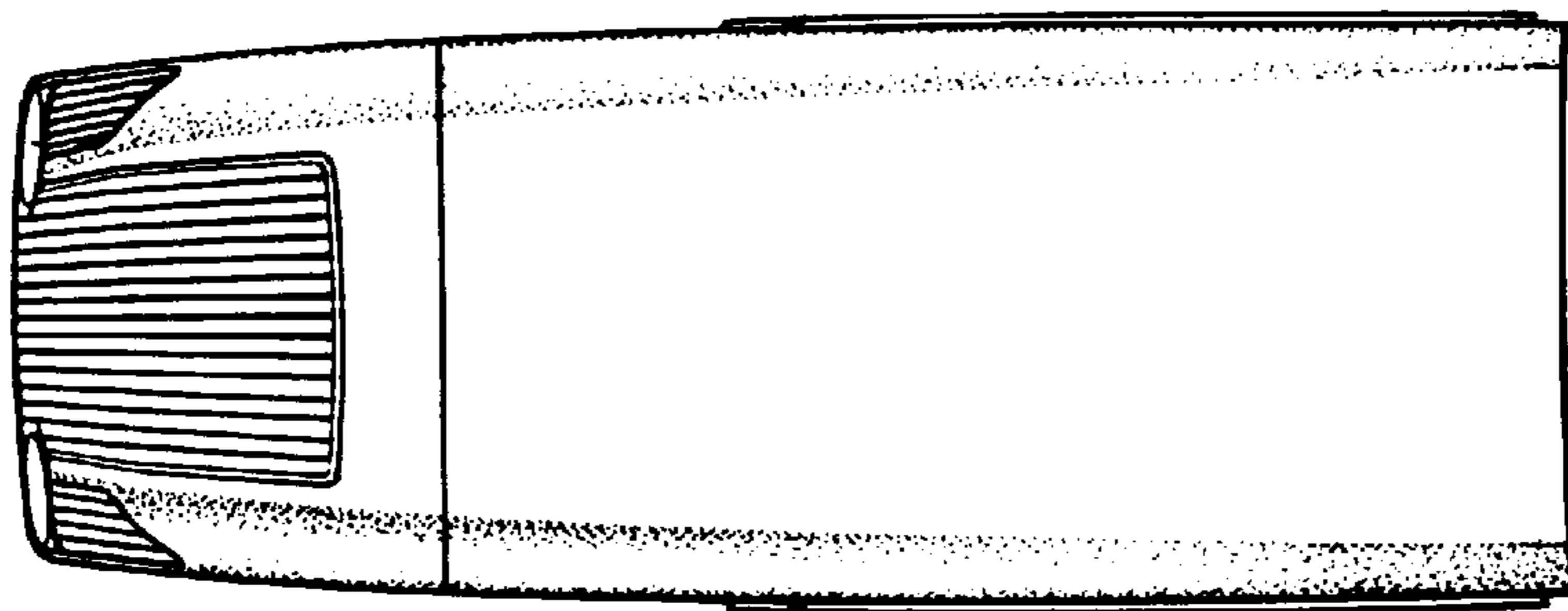


FIG 3

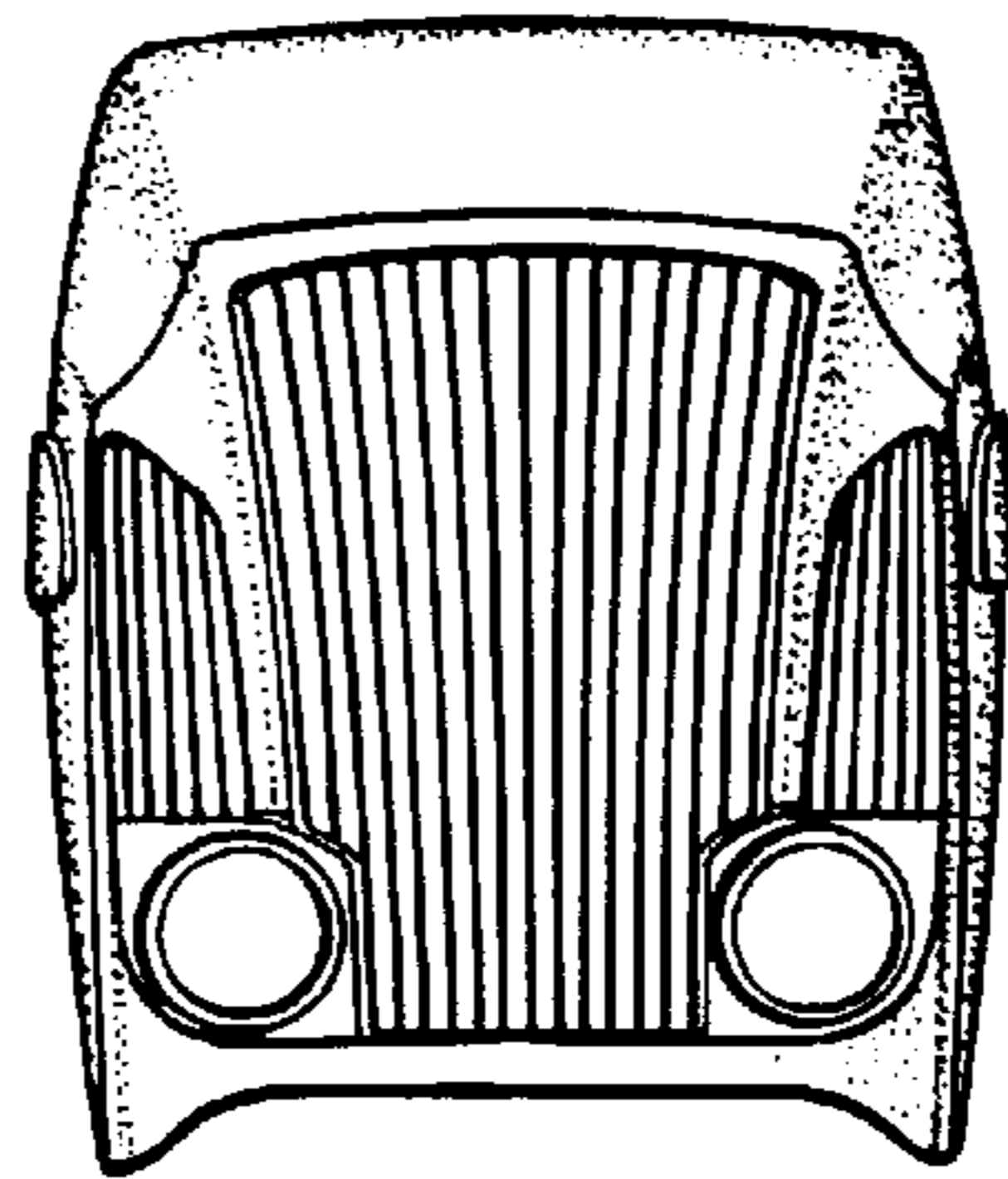


FIG 4