



US00D419163S

United States Patent [19]

Sirois et al.

[11] Patent Number: Des. 419,163

[45] Date of Patent: ** Jan. 18, 2000

[54] MOWER SHROUD

[75] Inventors: **Michael G. Sirois**, Ottawa, Canada; **Bruce W. Brooks**, Pembroke Pines, Fla.; **Colin M. Dyke**, North Augusta, Canada; **Roderick D. Muir**, South Mountain, Canada; **David S. Strong**, Battersea, Canada; **Richard P. Rosa**, Brookville, Canada; **Brian S. Burnett**, Mallorytown, Canada; **Lawrie Cunningham**, Cleveland, United Kingdom

[73] Assignee: **Black & Decker Inc.**, Newark, Del.

[**] Term: **14 Years**

[21] Appl. No.: **29/042,994**

[22] Filed: **Jul. 24, 1995**

Related U.S. Application Data

[63] Continuation-in-part of application No. 29/027,102, Aug. 12, 1994, abandoned.

[51] **LOC (7) Cl.** **15-03**

[52] **U.S. Cl.** **D15/14**

[58] **Field of Search** D15/14-17; 56/175, 56/249, 255, 320.1, 320.2

[56] References Cited

U.S. PATENT DOCUMENTS

D. 330,210	10/1992	Sirois et al.	D15/14
D. 333,309	2/1993	Hess et al.	D15/14
D. 347,640	6/1994	Chunn et al.	D15/14
D. 356,581	3/1995	Chunn et al.	D15/14
D. 361,771	8/1995	Ledingham	D15/14
D. 374,017	9/1996	Chunn et al.	D15/14

OTHER PUBLICATIONS

Black Decker 1992 Catalog, p. 5 M200 Flip Over Handle Mower, Left.

Horticulture May 1993, p. 49 Ryobi Mulchinator Mulching Mower.

Primary Examiner—Sandra L. Morris
Attorney, Agent, or Firm—Harness, Dickey & Pierce, P.L.C.

[57] CLAIM

The mower shroud design, as shown and described.

DESCRIPTION

FIG. 1 is a front perspective view of a mower shroud, showing our new design;

FIG. 2 is a rear perspective view thereof;

FIG. 3 is a top plan view thereof;

FIG. 4 is a left side view thereof;

FIG. 5 is a right side view thereof;

FIG. 6 is a front elevational view thereof; and,

FIG. 7 is a rear elevational view thereof.

FIG. 8 is a left side elevational view of a second embodiment of the mower shroud of FIG. 1;

FIG. 9 is a right side elevational view of FIG. 8;

FIG. 10 is a front perspective view of a third embodiment of the mower shroud of FIG. 1;

FIG. 11 is a rear perspective view of FIG. 10

FIG. 12 is a left side elevational view of FIG. 10;

FIG. 13 is a right side elevational view of FIG. 10;

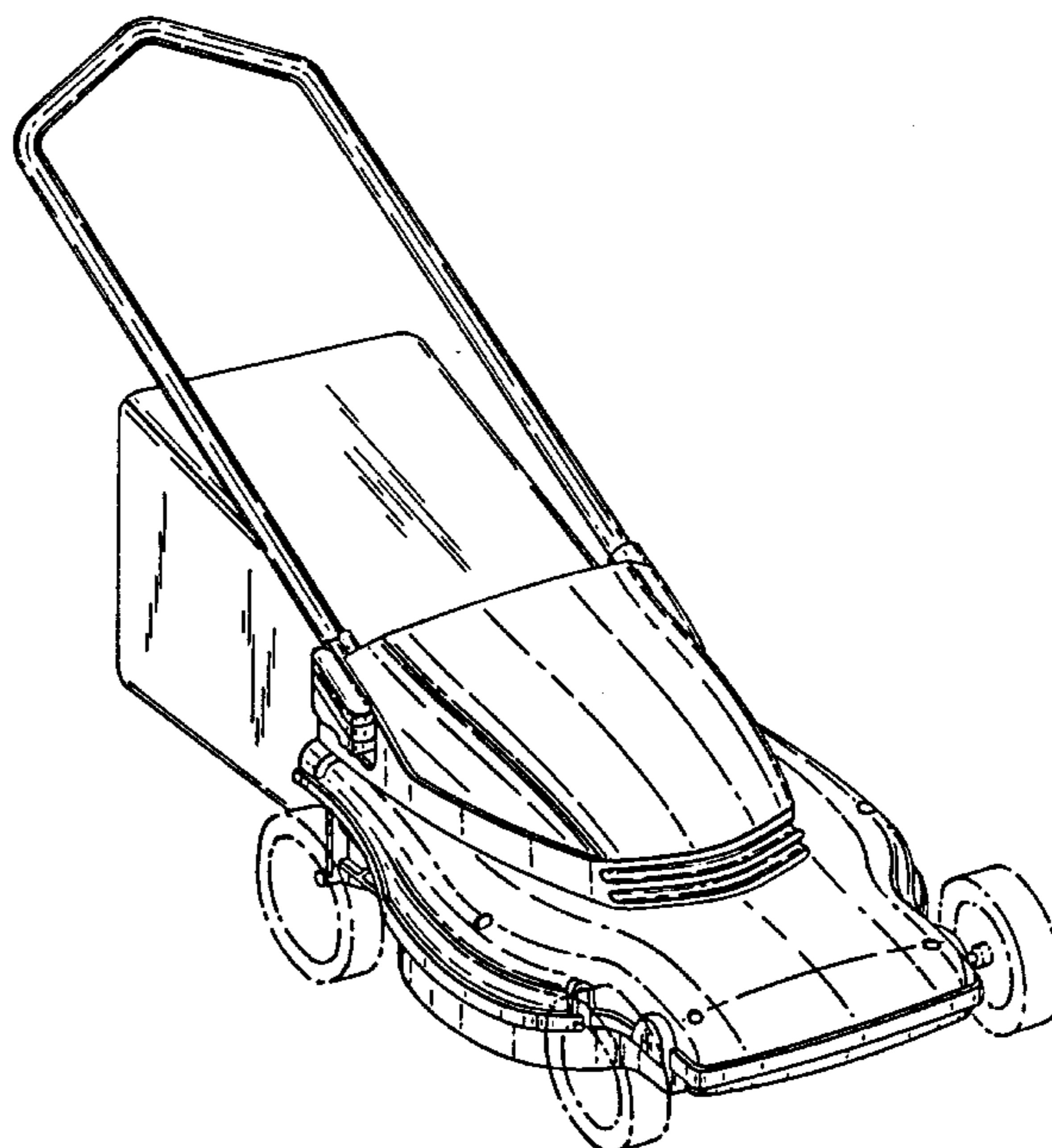
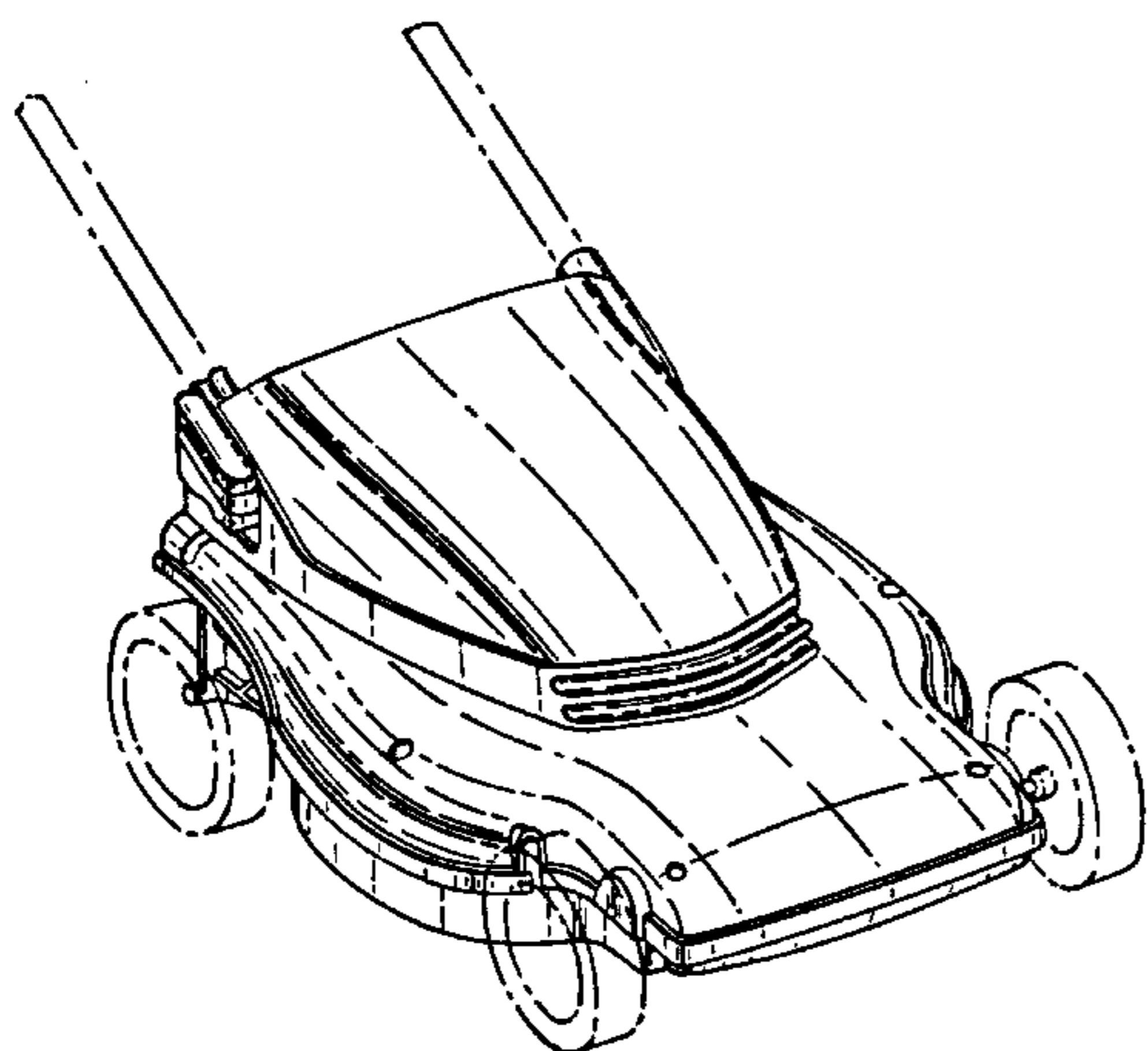
FIG. 14 is a left side elevational view of a fourth embodiment of the mower shroud of FIG. 1; and,

FIG. 15 is a right side elevational view of FIG. 14.

The broken lines are for illustrative purposes only, and form no part of the claimed design.

FIGS. 3—9 are shown on an enlarged scale.

1 Claim, 11 Drawing Sheets



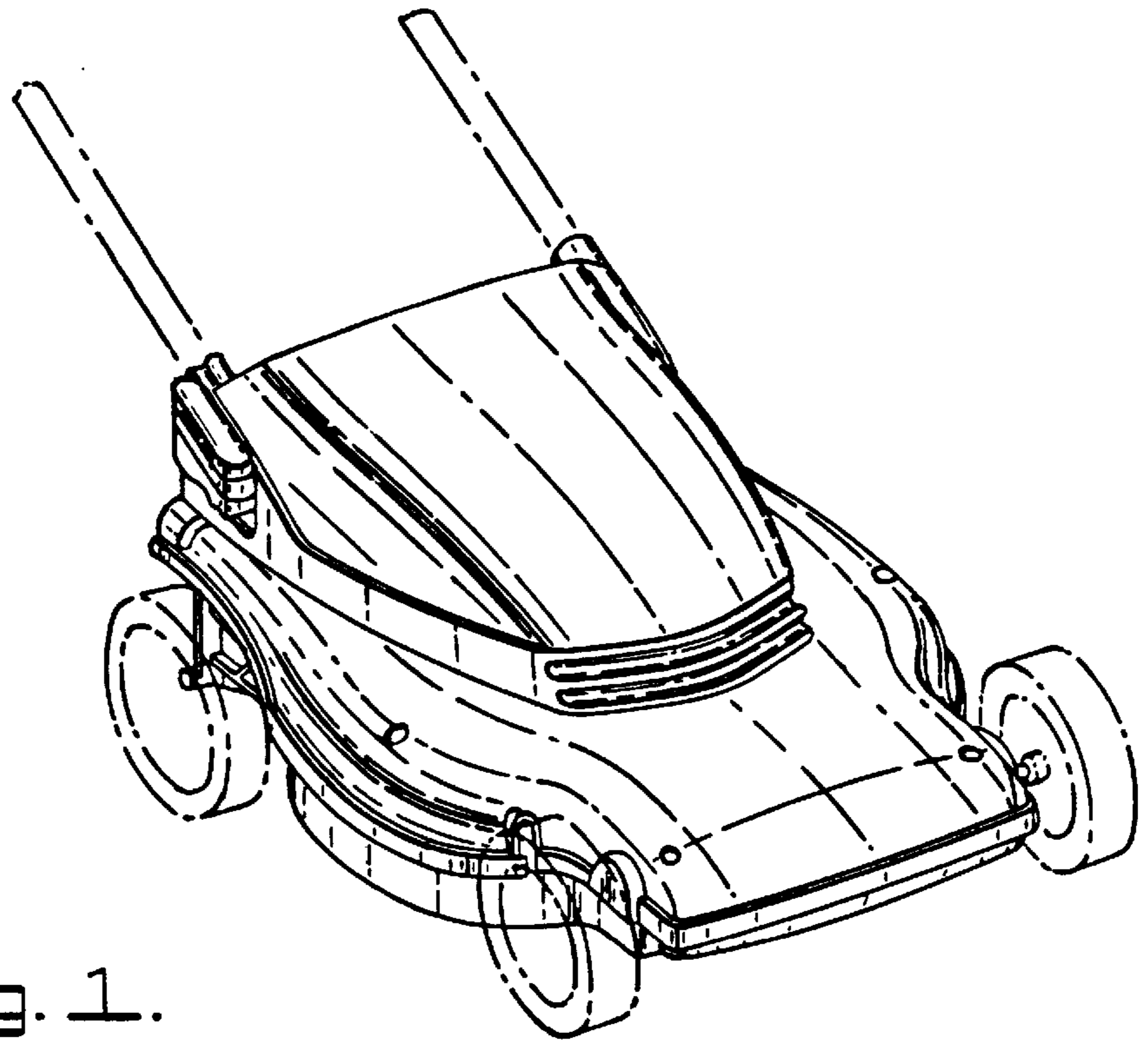
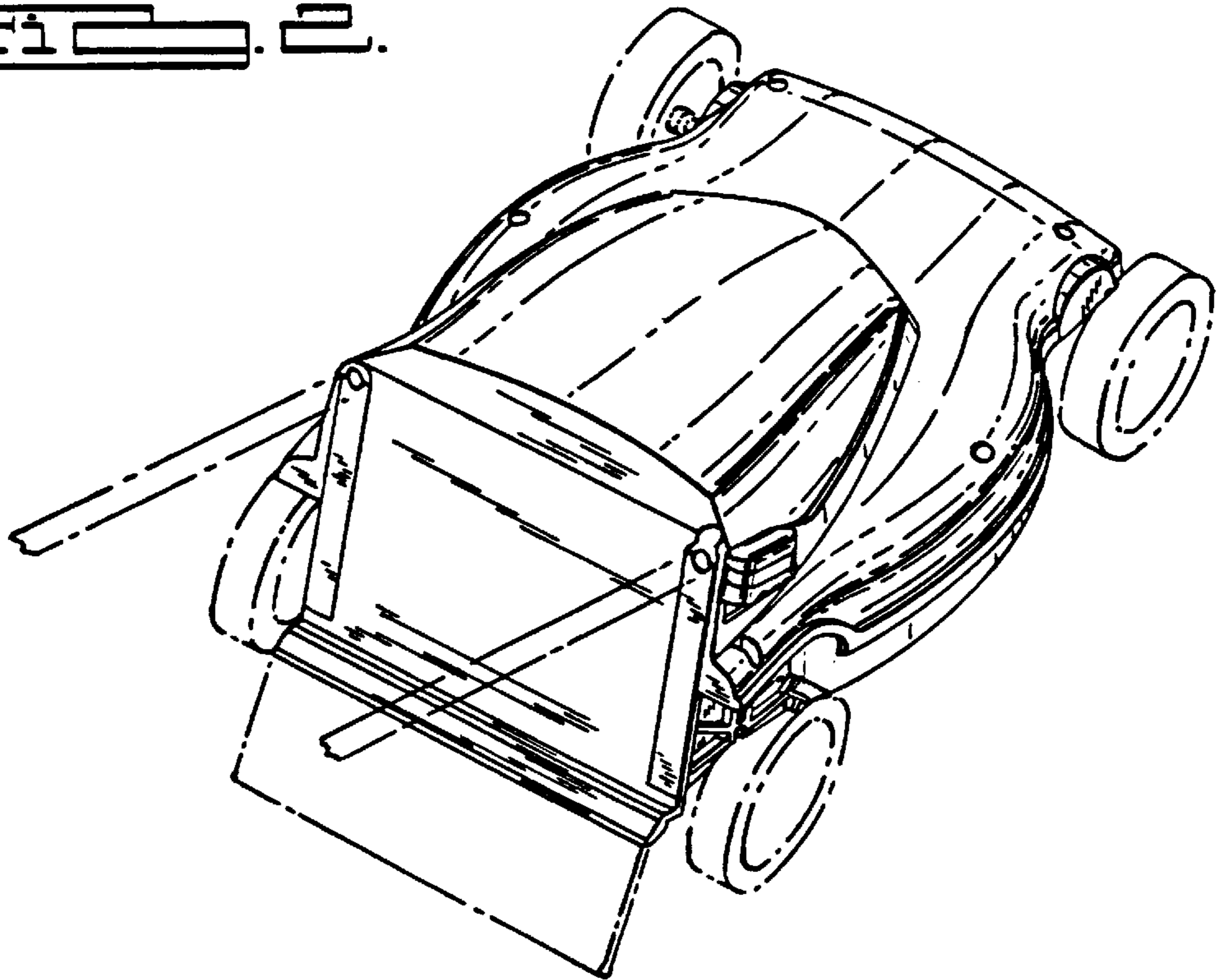


FIG. 1.

FIG. 2.



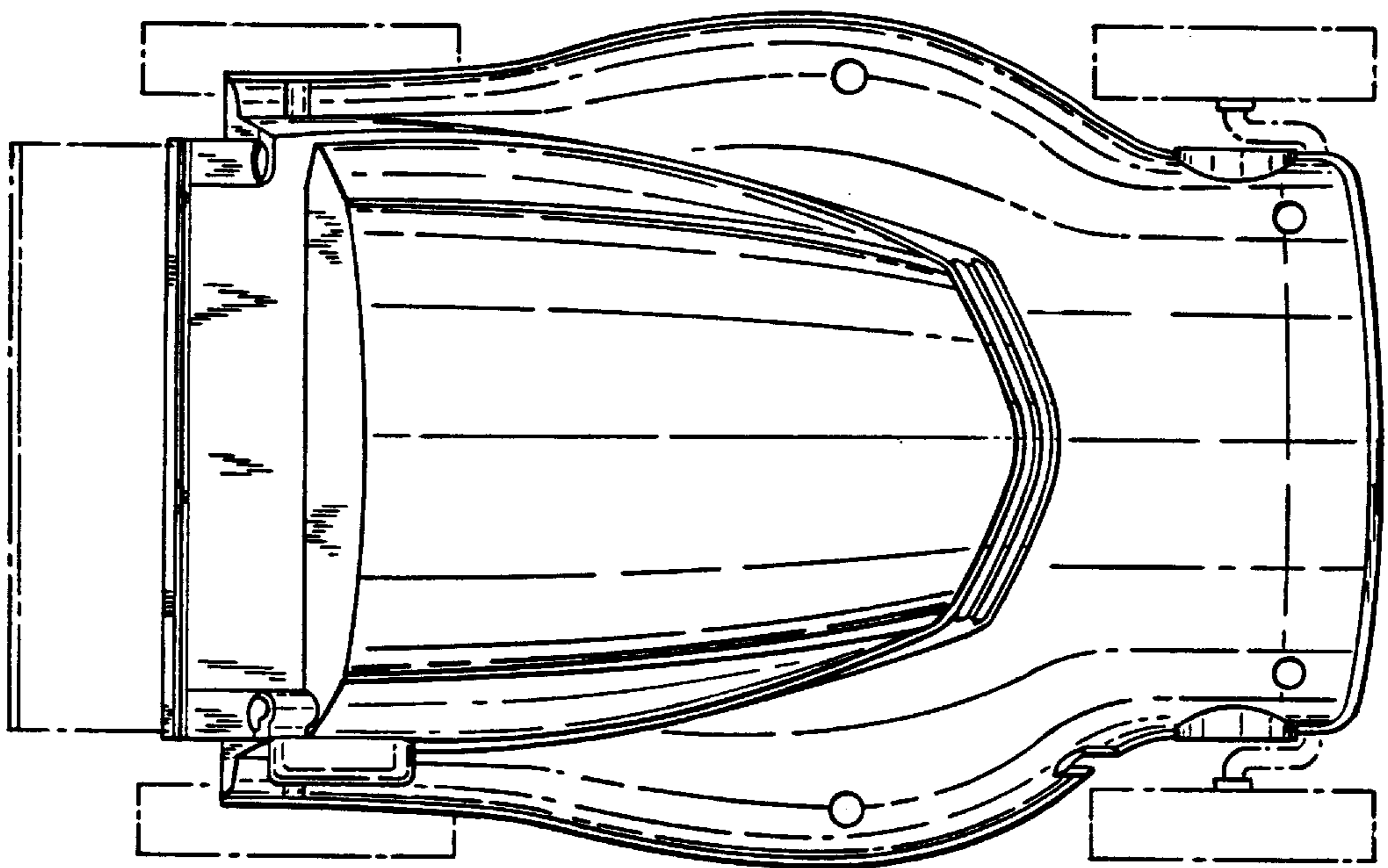


FIG. 3.

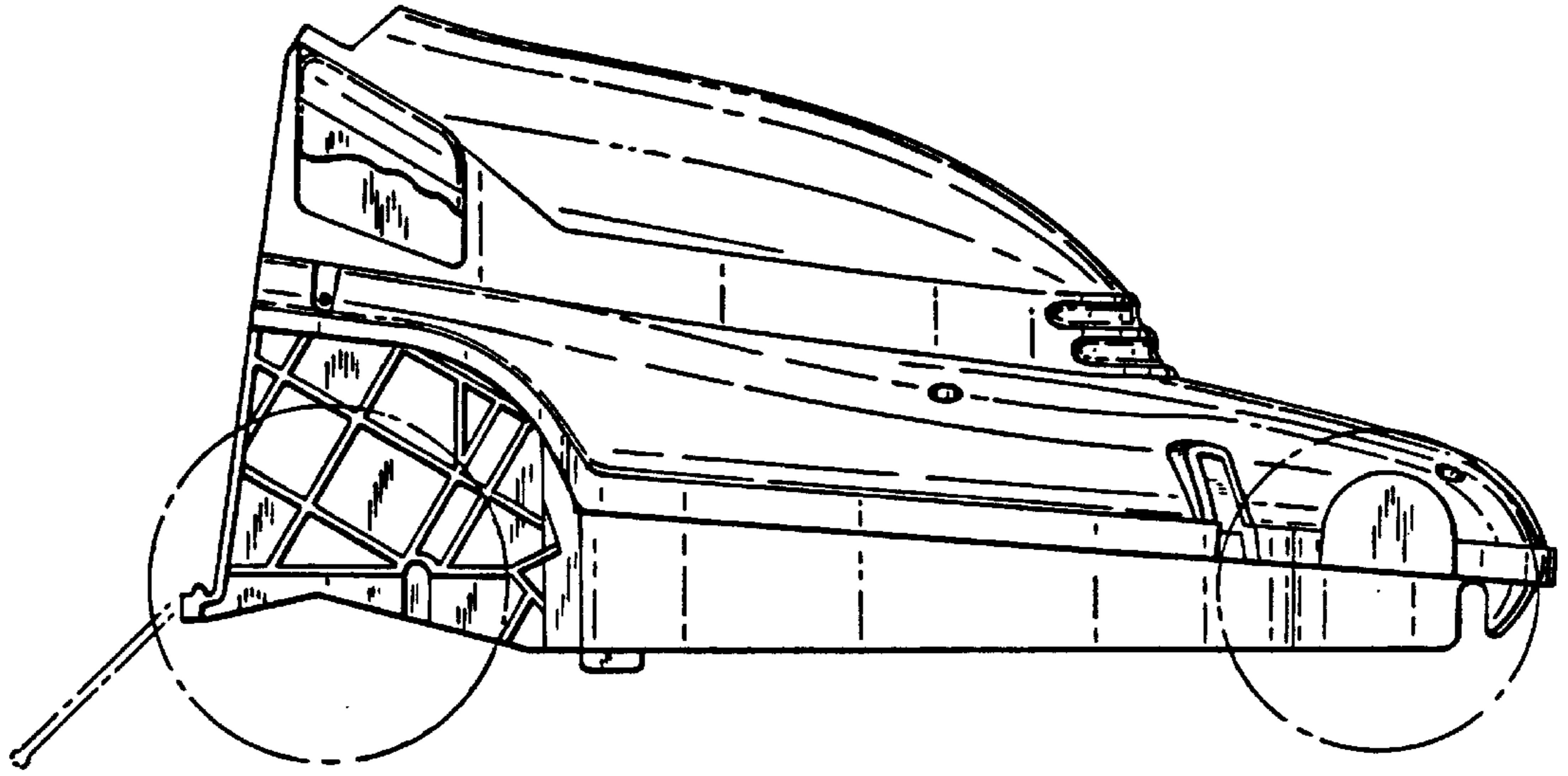


FIG. 4.

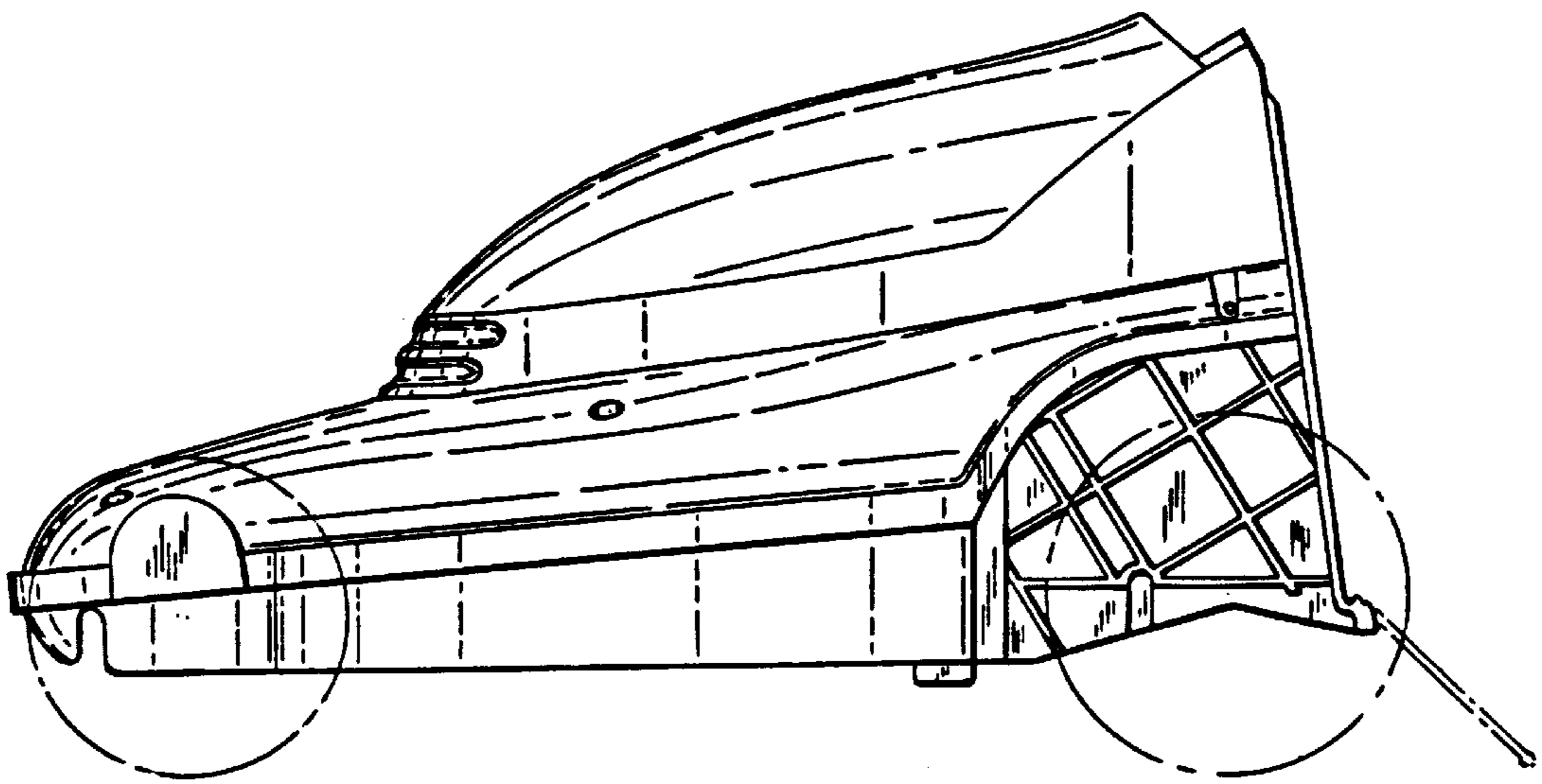


FIG. 5.

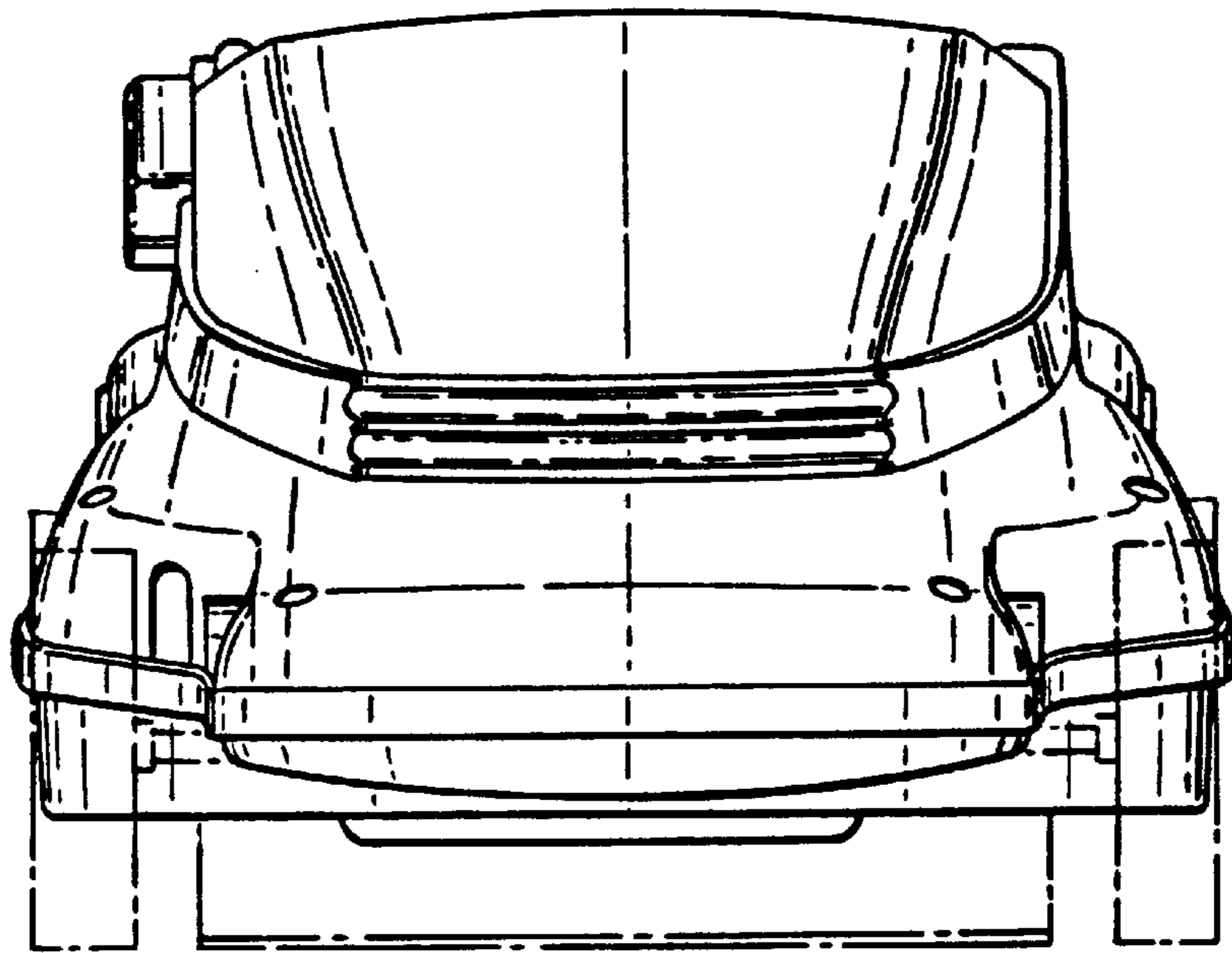


FIG. 6.

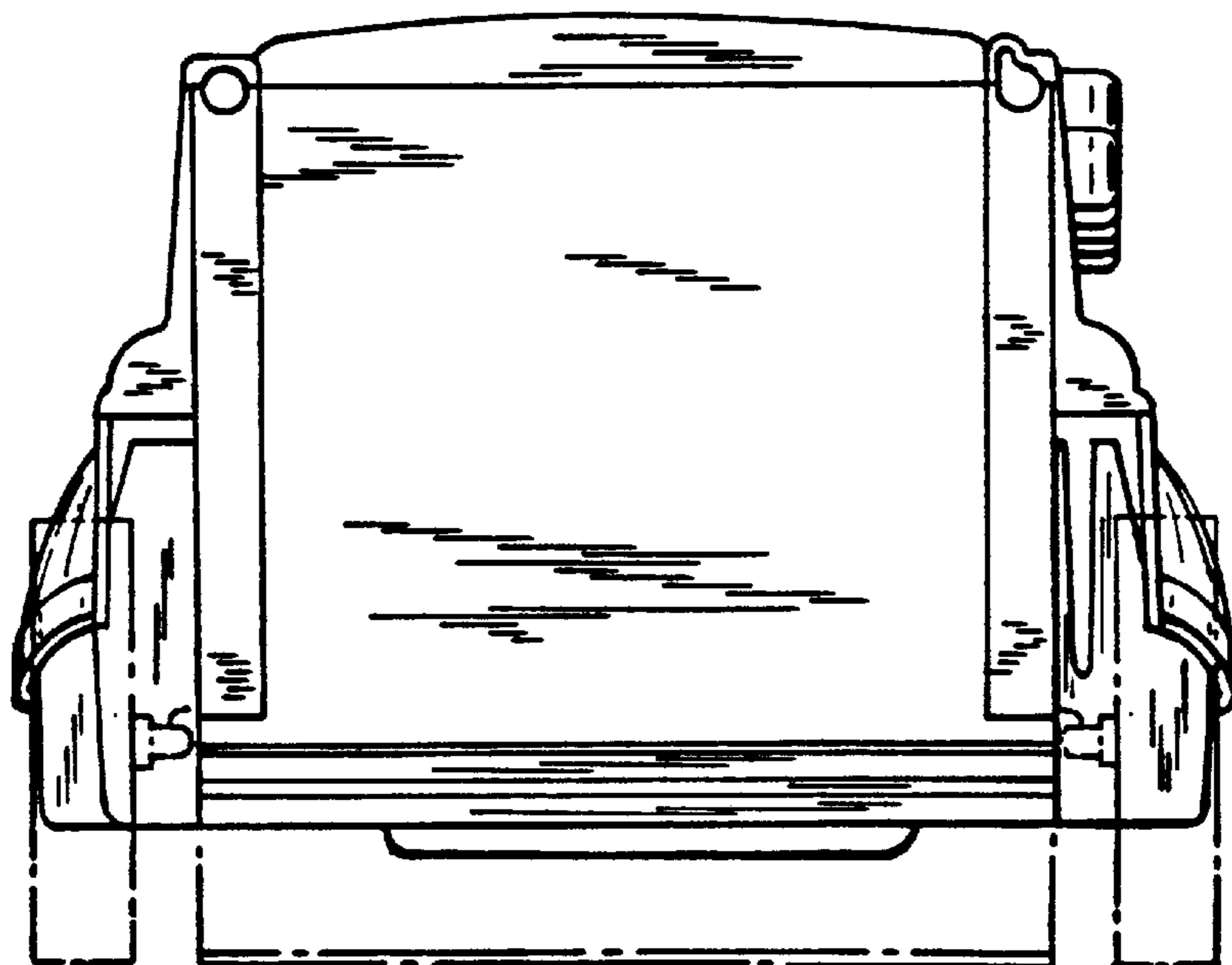


FIG. 7.

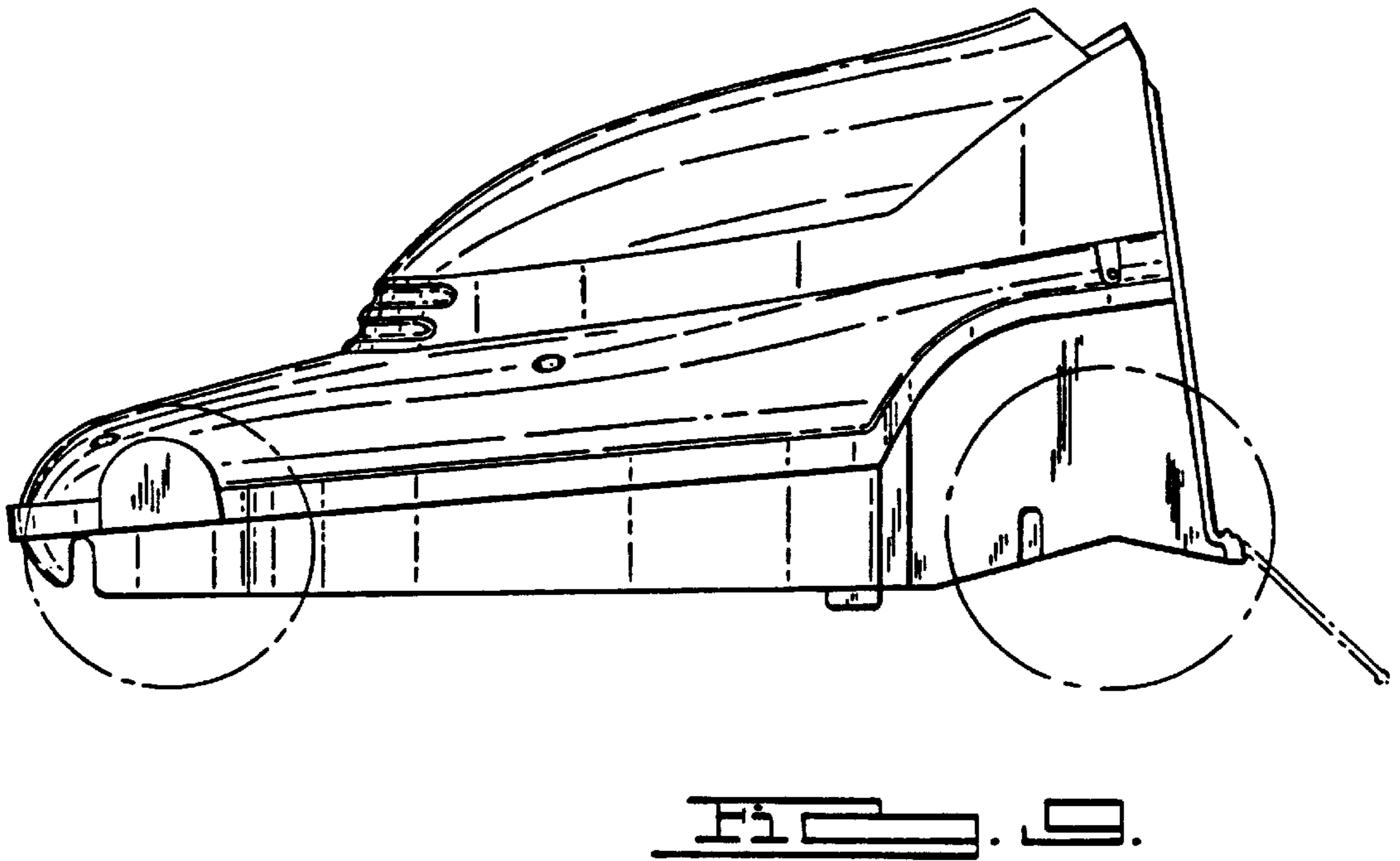
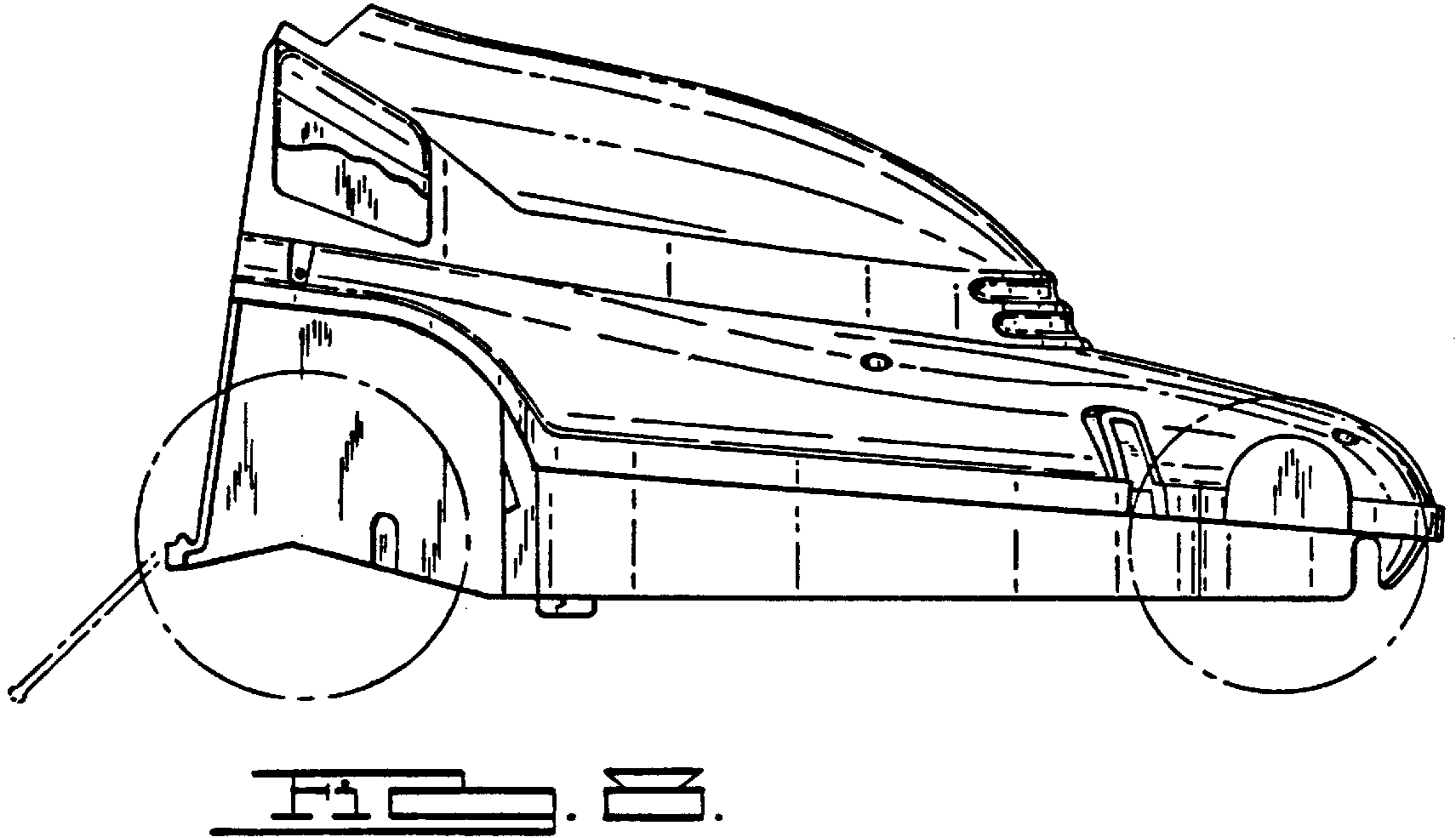
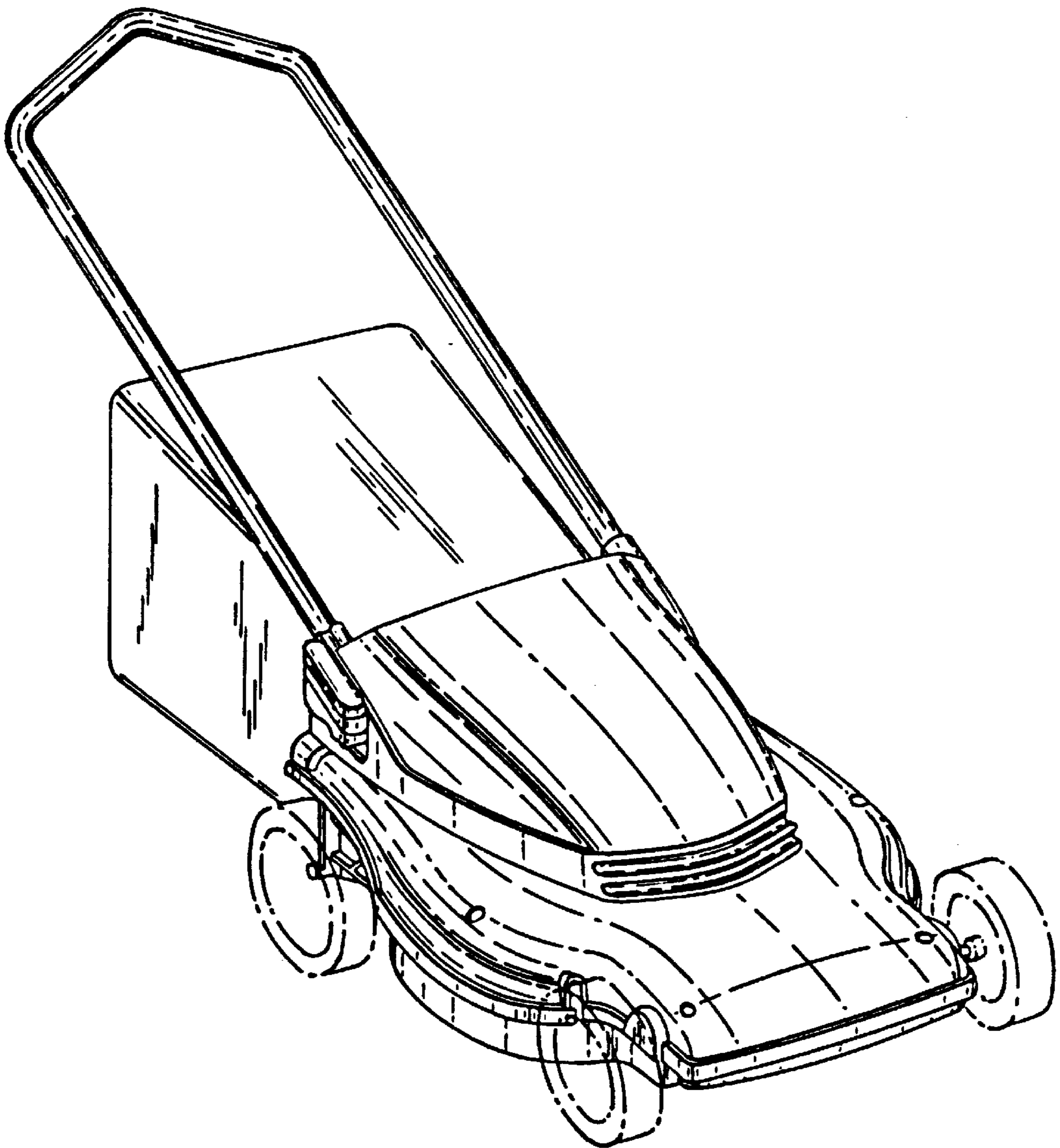


FIG. 10.



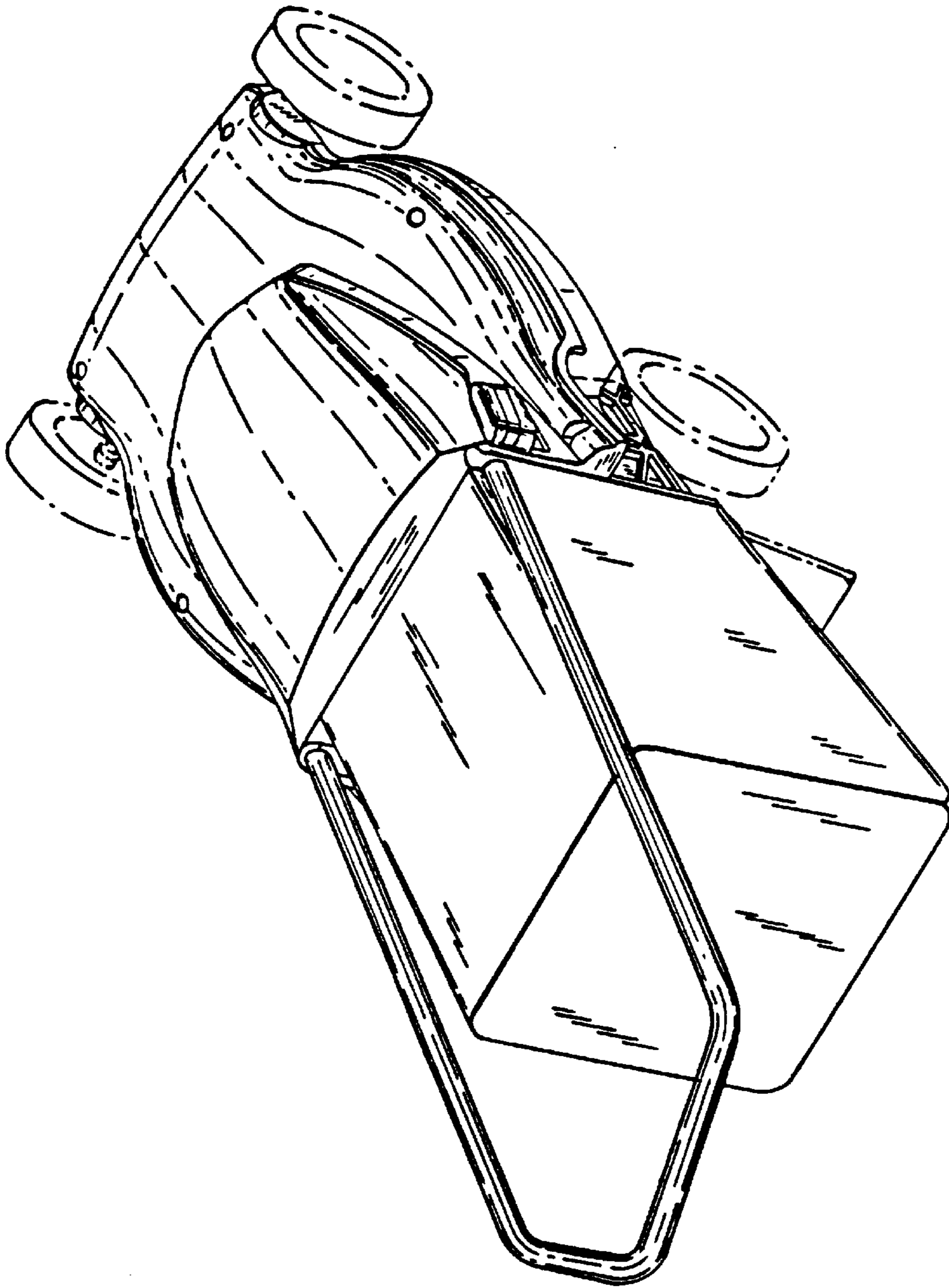


FIG. 11.

FIG. 12.

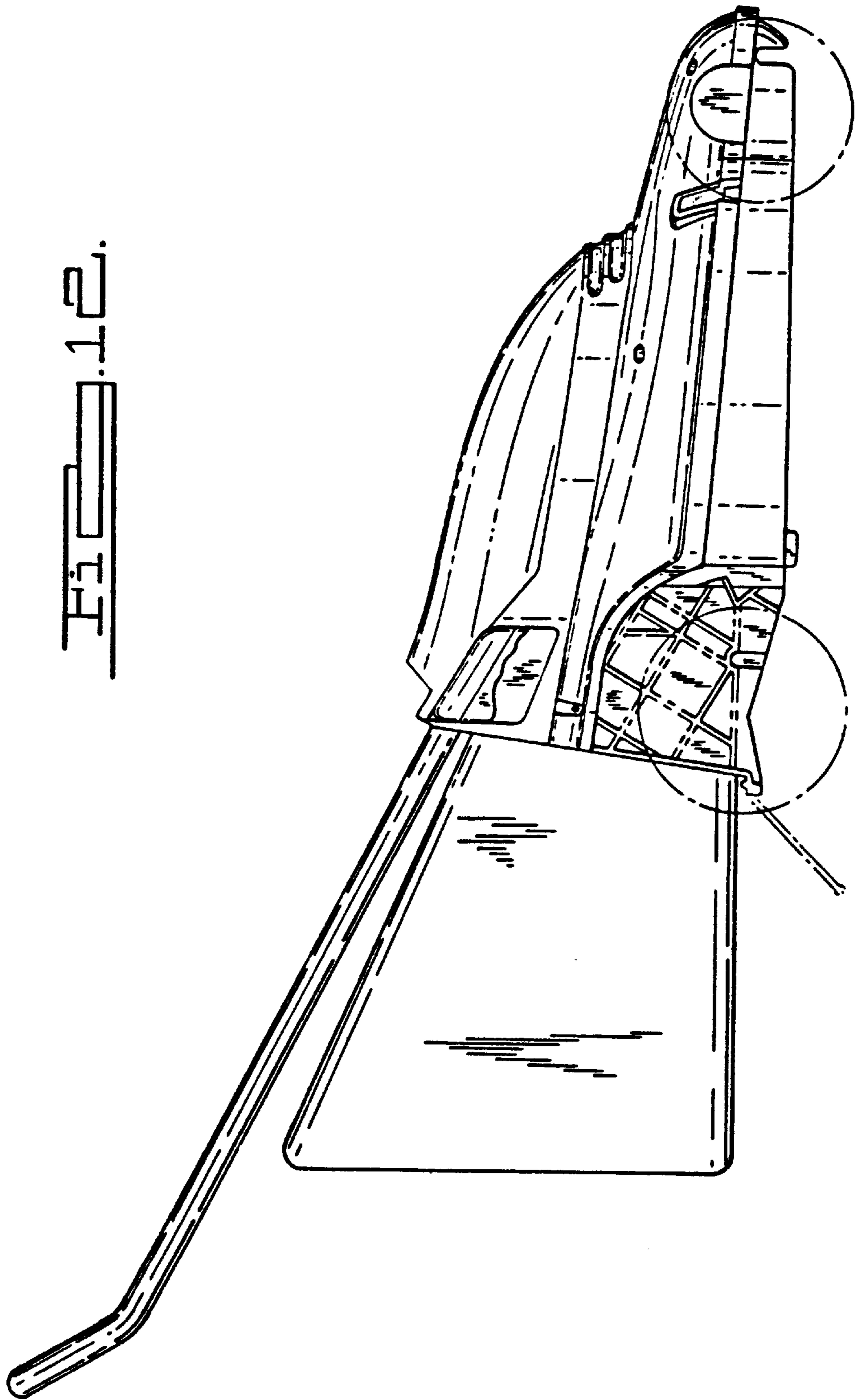
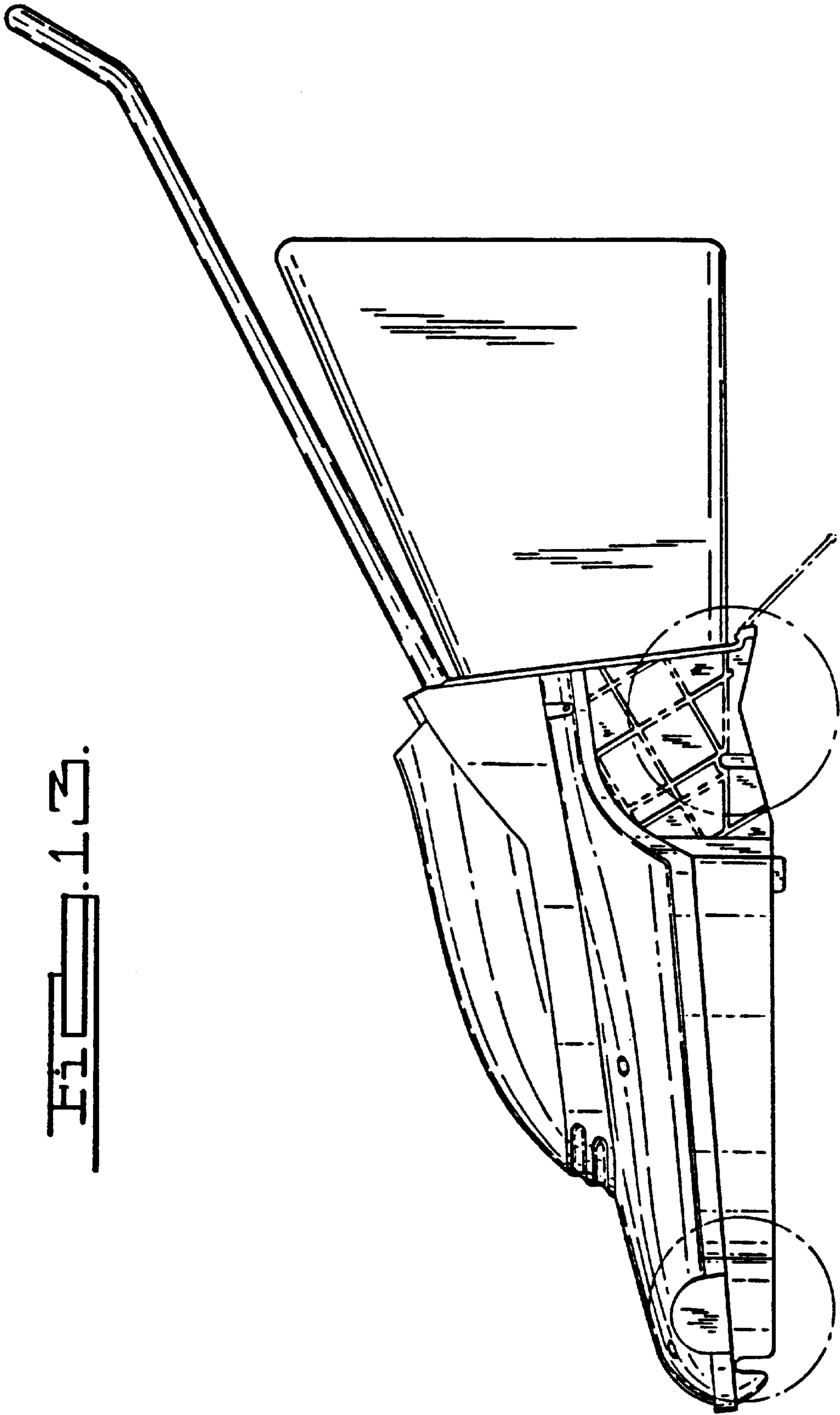
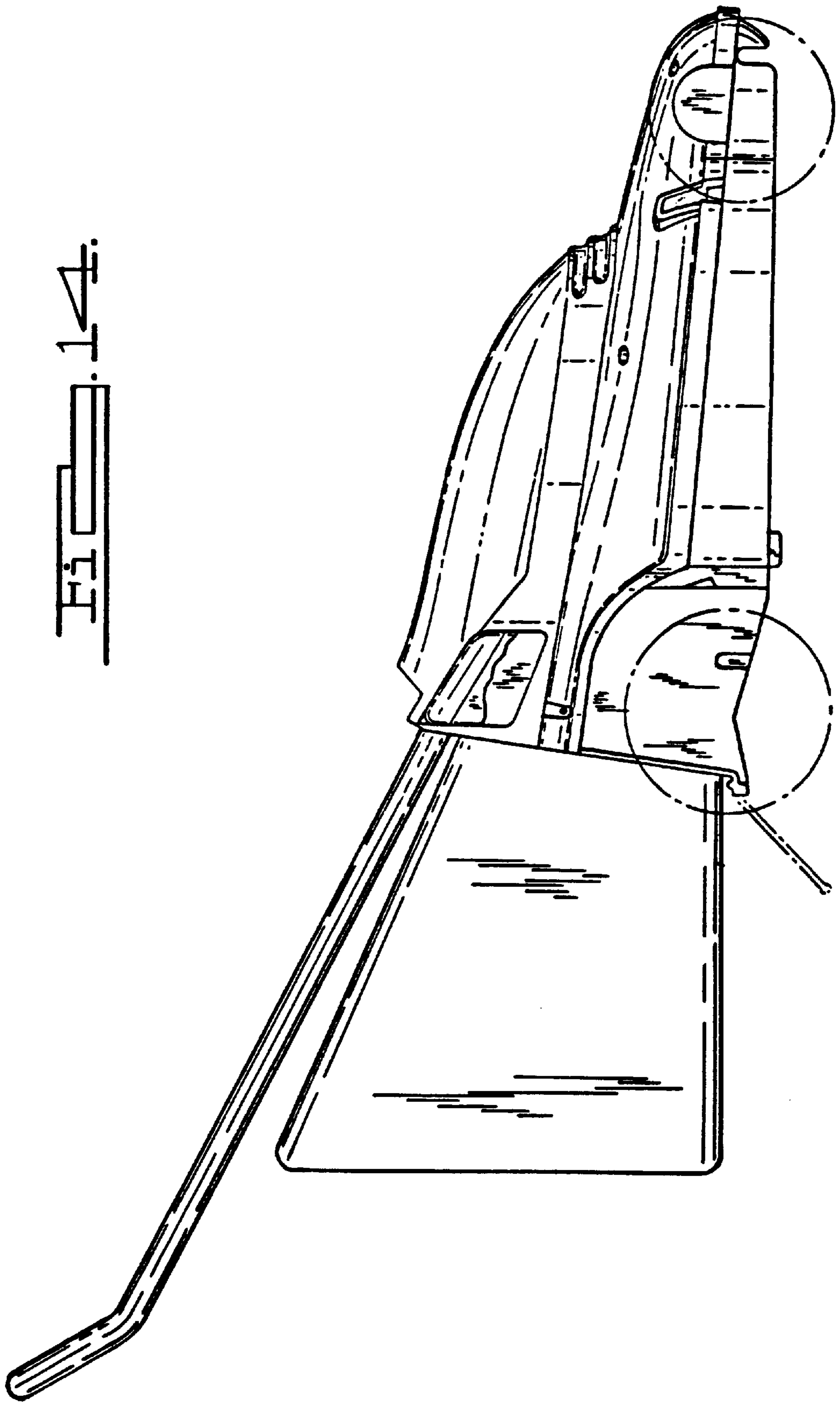


FIG. 13.





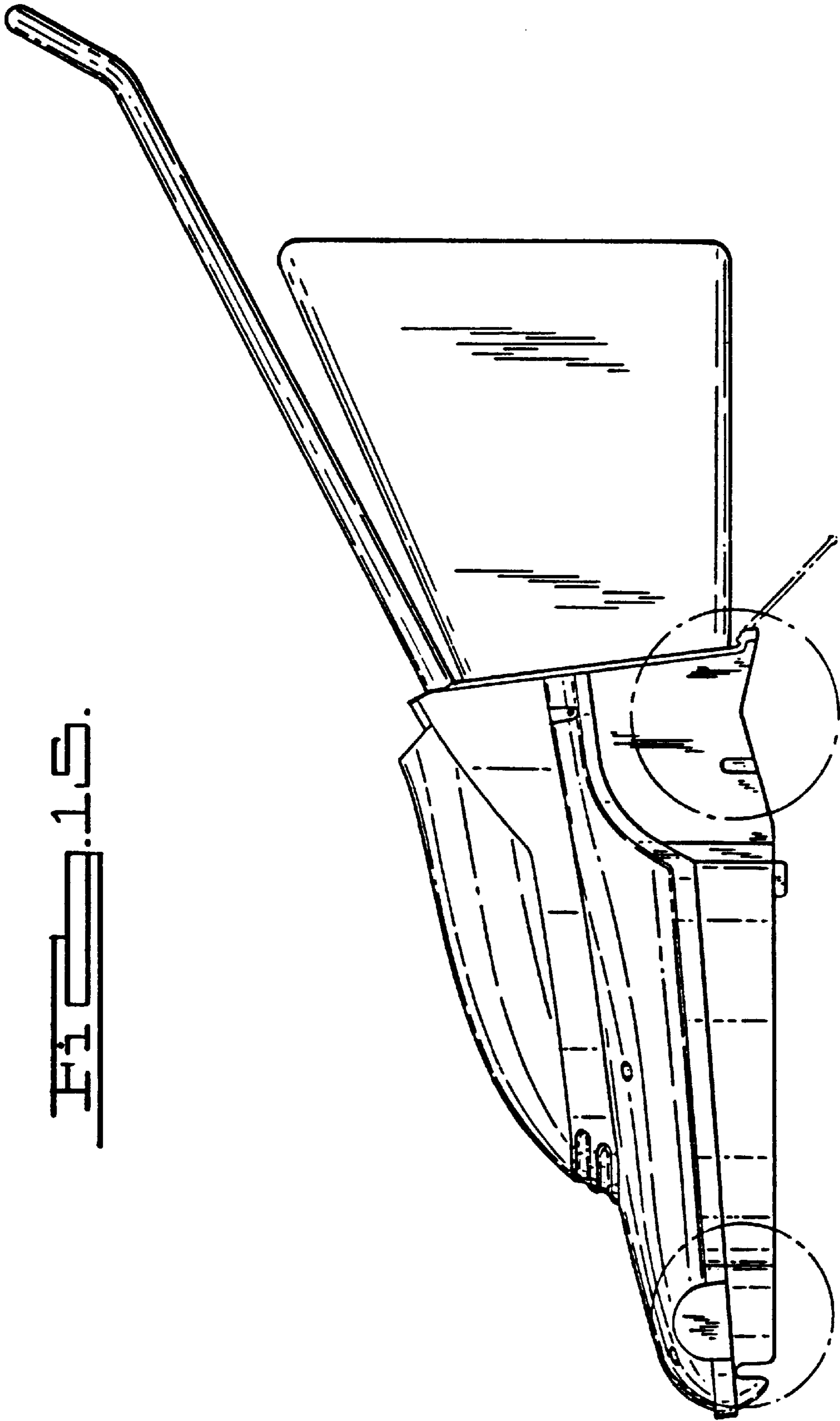


FIG. 15.