



US00D419162S

United States Patent [19]

Wise et al.

[11] Patent Number: **Des. 419,162**

[45] Date of Patent: **** Jan. 18, 2000**

[54] **RECIPROCATING COMPRESSOR**

2,171,787 9/1939 Erbach D15/9
2,419,775 4/1947 Hazard D15/7

[75] Inventors: **Brian David Wise; Mohammad Abdallah**, both of Charlotte, N.C.

Primary Examiner—Ralf Seifert
Attorney, Agent, or Firm—Michael M. Gnibus

[73] Assignee: **Ingersoll-Rand Company**, Woodcliff, N.J.

[57] **CLAIM**

[**] Term: **14 Years**

The ornamental design for a reciprocating compressor, as shown as described.

[21] Appl. No.: **29/092,317**

DESCRIPTION

[22] Filed: **Aug. 17, 1998**

[51] **LOC (7) Cl.** **15-02**

[52] **U.S. Cl.** **D15/9**

[58] **Field of Search** D15/7-9; 417/228-229, 417/435, 321, 410-411, 415, 265, 38, 40, 360, 405; 92/82

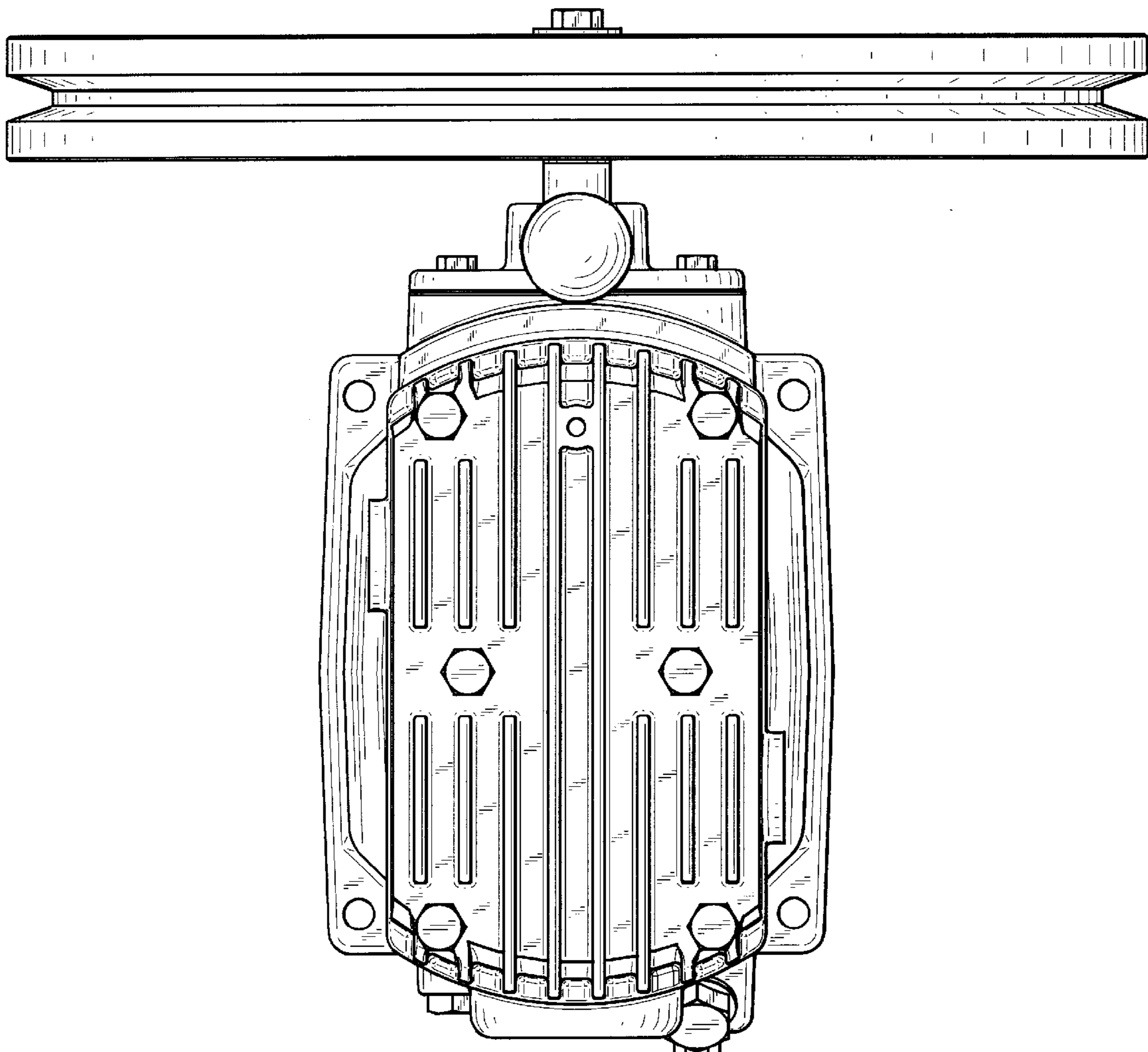
FIG. 1 is a top plan view of a reciprocating compressor showing our new design;
FIG. 2 is a bottom plan view thereof;
FIG. 3 is a right elevation view thereof;
FIG. 4 is a left elevation view thereof;
FIG. 5 is a front elevation view thereof; and,
FIG. 6 is a rear elevation view thereof.

[56] **References Cited**

U.S. PATENT DOCUMENTS

D. 395,899 7/1998 Plummer et al. D15/7

1 Claim, 6 Drawing Sheets



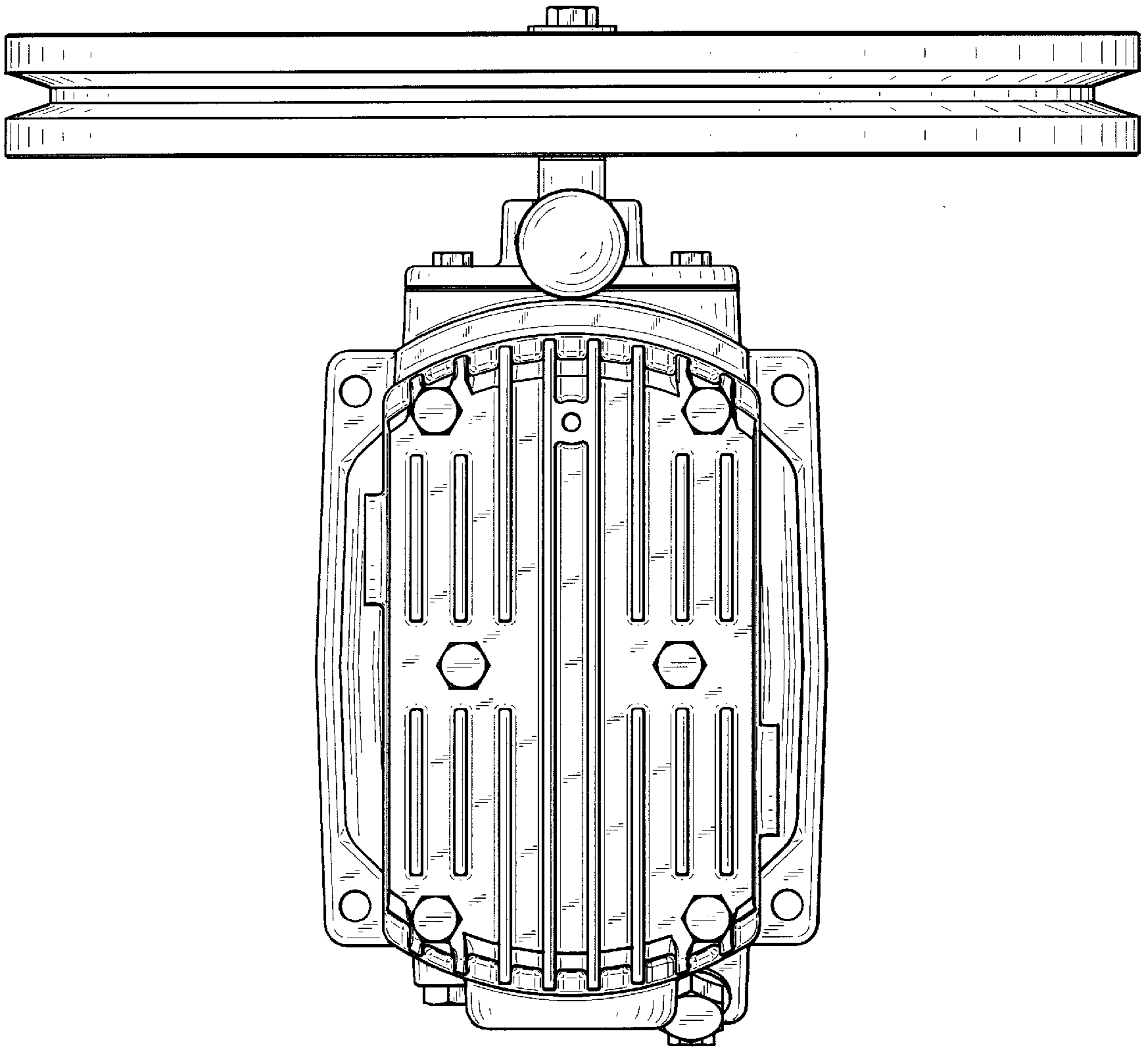


Fig. 1

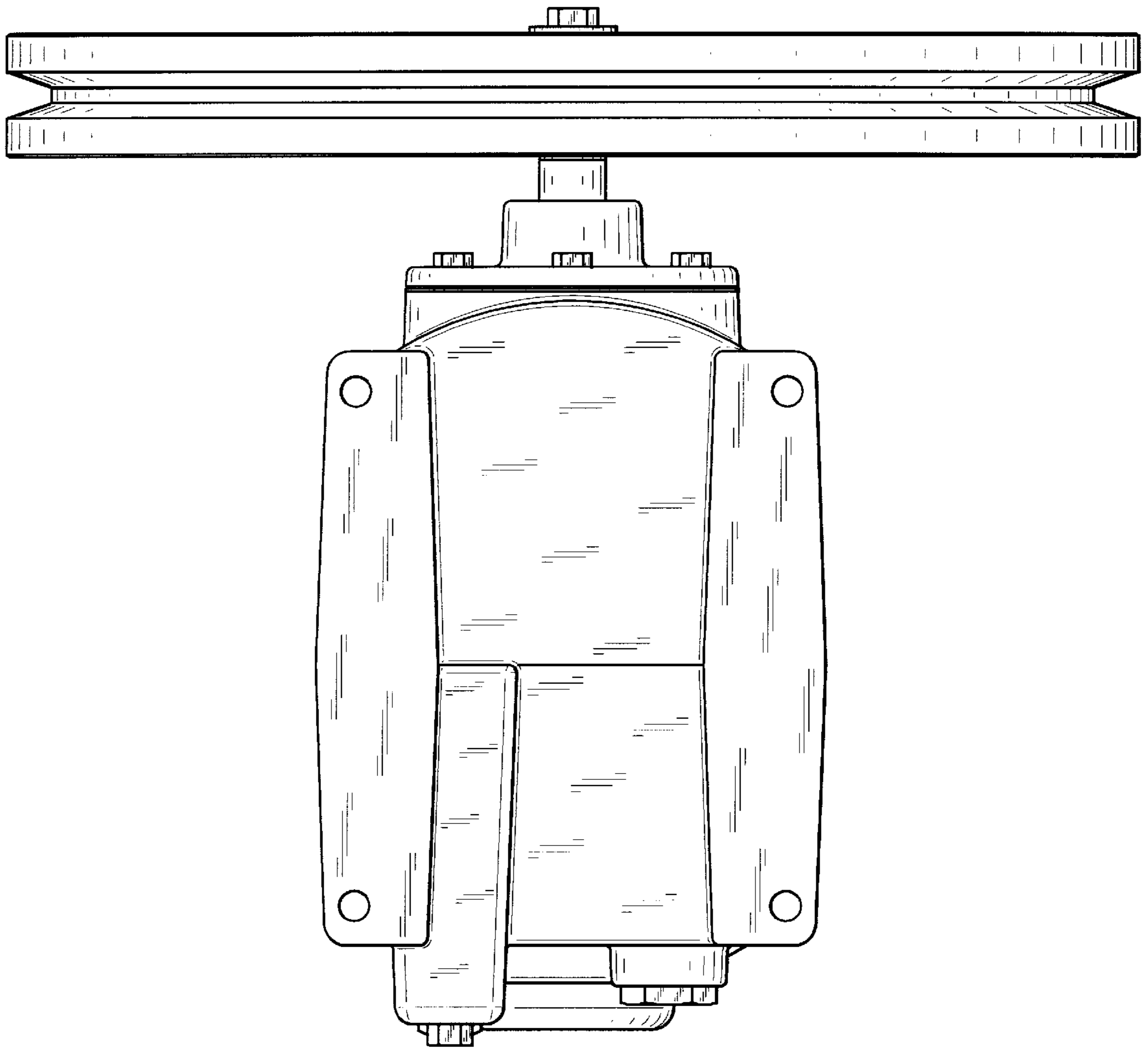


Fig. 2

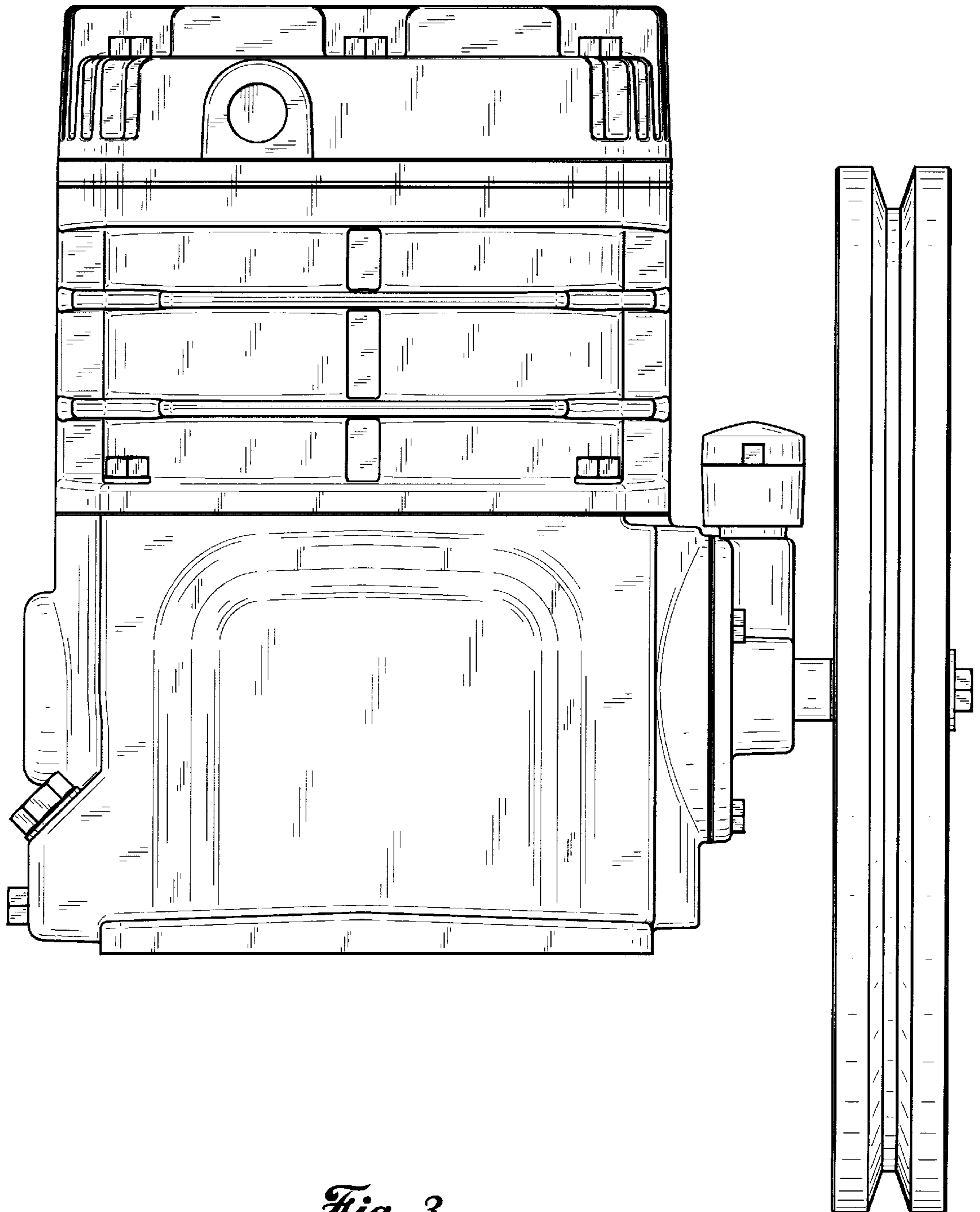


Fig. 3

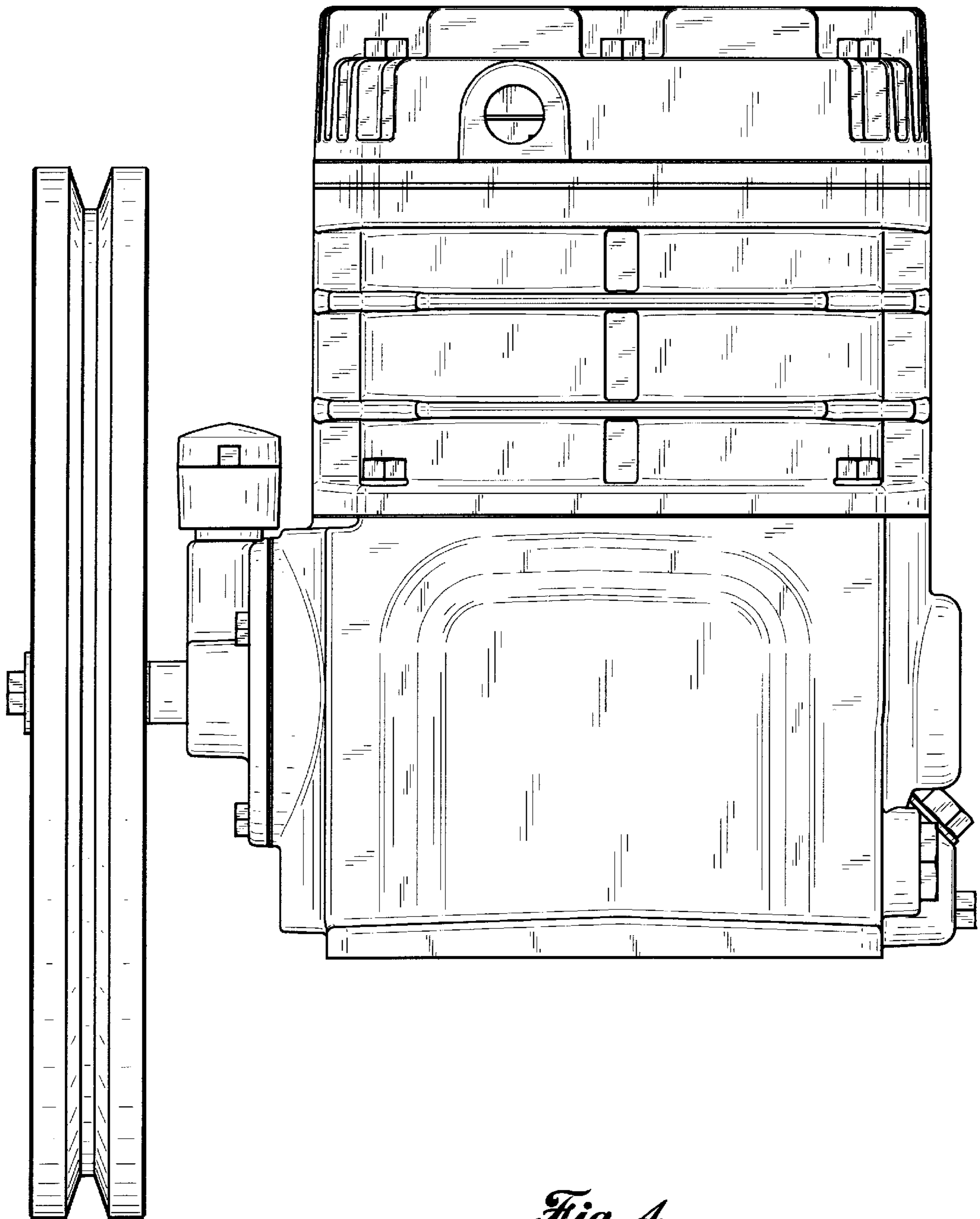


Fig. 4

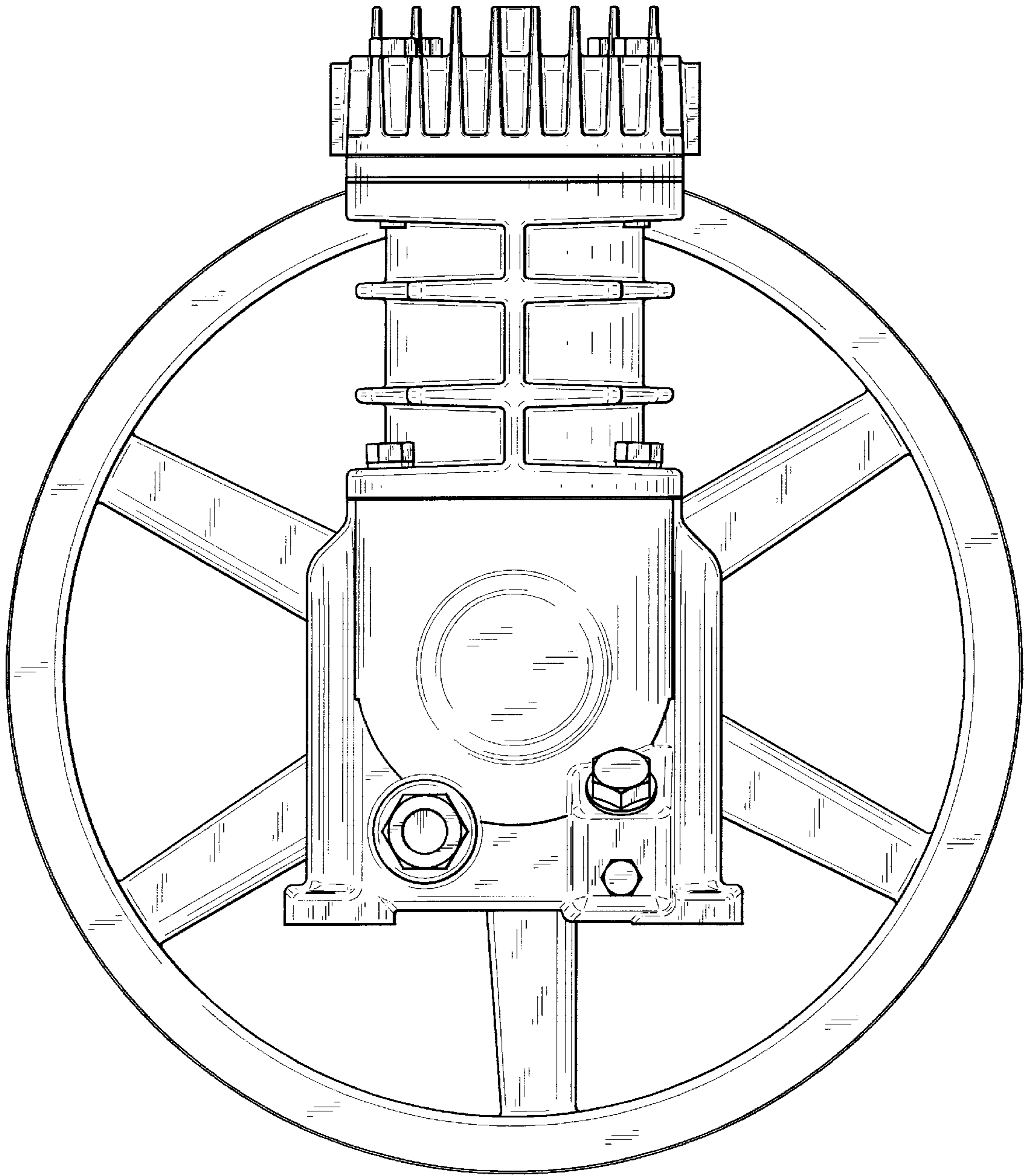


Fig. 5

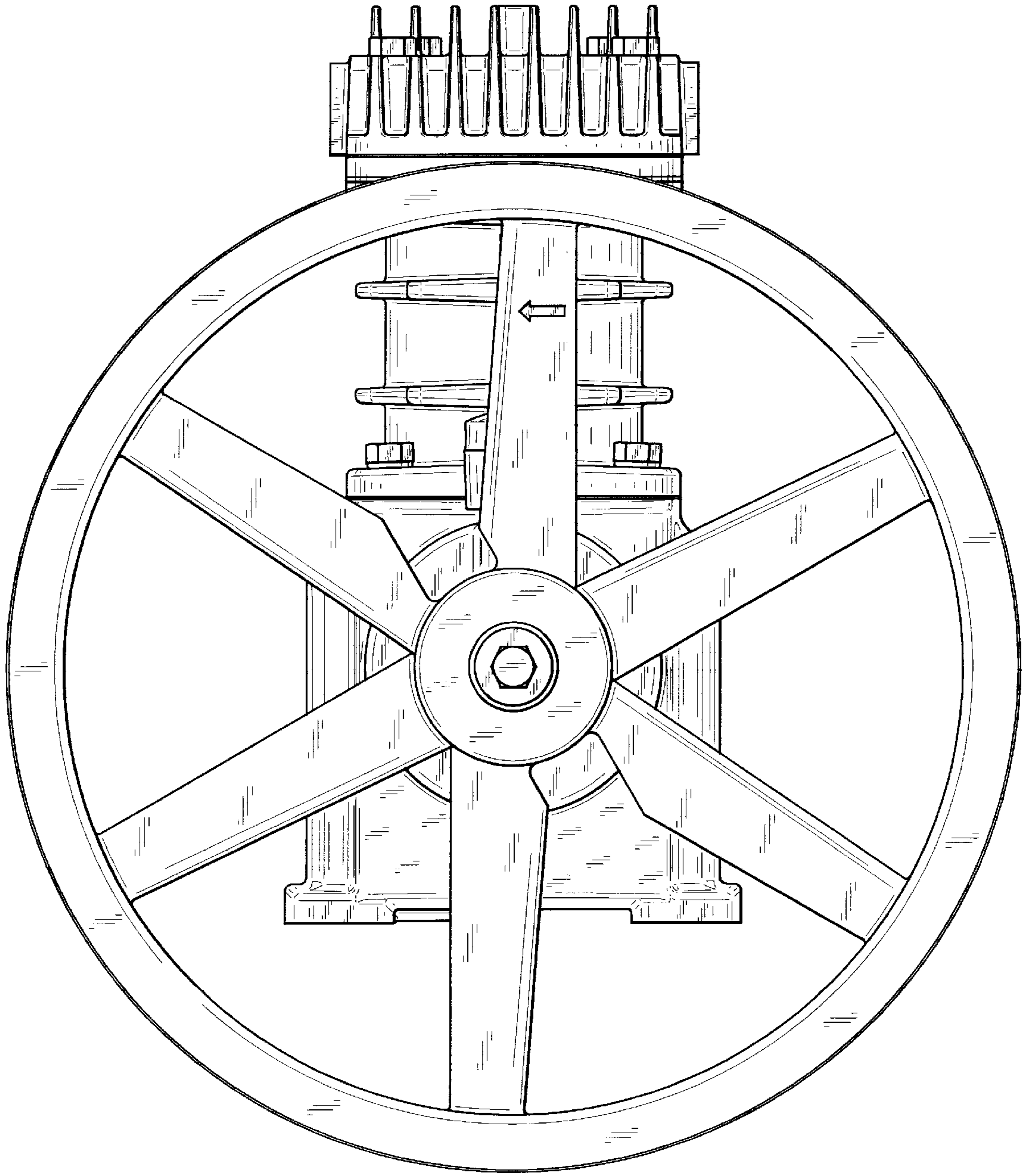


Fig. 6