



US00D419161S

United States Patent [19] Broughton

[11] **Patent Number: Des. 419,161**

[45] **Date of Patent: ** Jan. 18, 2000**

[54] **DRAIN PUMP**

D. 403,329 12/1998 Walker et al. D15/7

[75] Inventor: **Steven L. Broughton**, Duncanville, Tex.

Primary Examiner—Ralf Seifert
Attorney, Agent, or Firm—Sanford E. Warren, Jr.; Daniel J. Chalker; Gardere & Wynne LLP

[73] Assignee: **Beckett Corporation**, Irving, Tex.

[57] **CLAIM**

[**] Term: **14 Years**

The ornamental design for a drain pump, as shown and described.

[21] Appl. No.: **29/103,004**

[22] Filed: **Apr. 6, 1999**

DESCRIPTION

[51] **LOC (7) Cl.** **15-02**

[52] **U.S. Cl.** **D15/7**

[58] **Field of Search** D15/7-9; 417/410.1, 417/413.1, 423.3, 417, 40, 88, 415, 265, 234

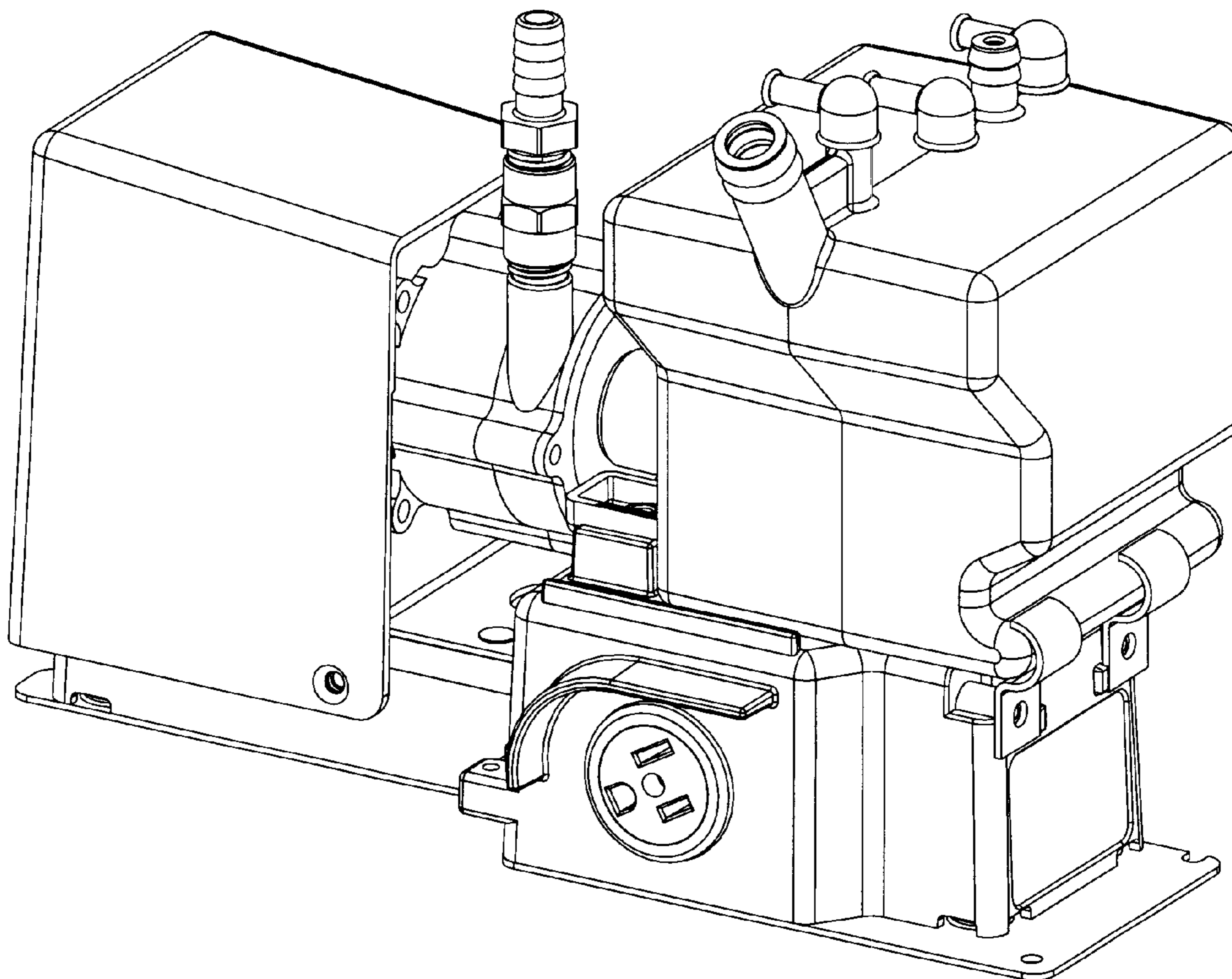
FIG. 1 is a right side perspective view of a drain pump showing our new design;
FIG. 2 is a left side perspective view thereof;
FIG. 3 is a top view thereof;
FIG. 4 is a right side view thereof;
FIG. 5 is a back view thereof;
FIG. 6 is a front view thereof;
FIG. 7 is a left side view thereof; and,
FIG. 8 is a bottom view thereof.

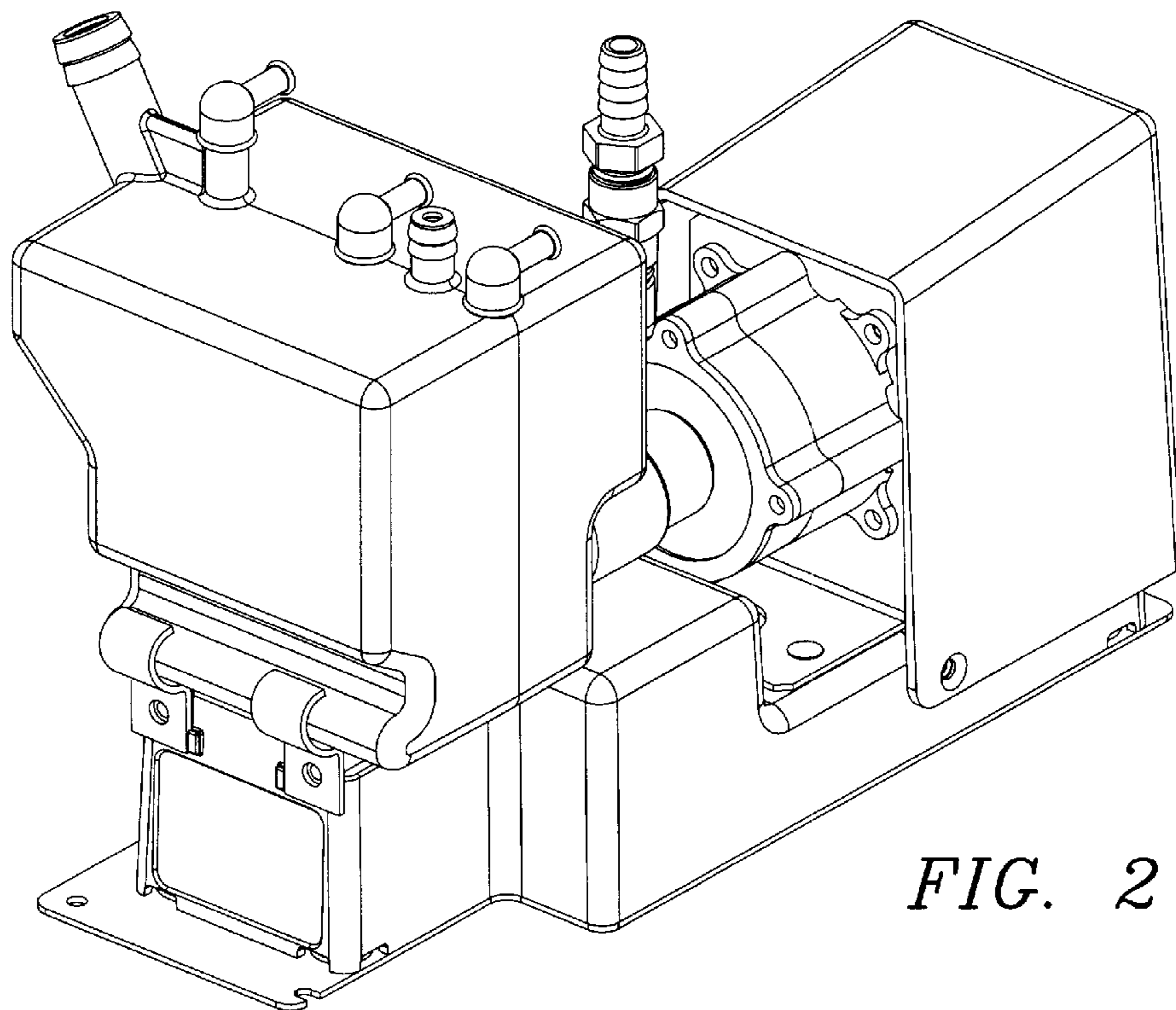
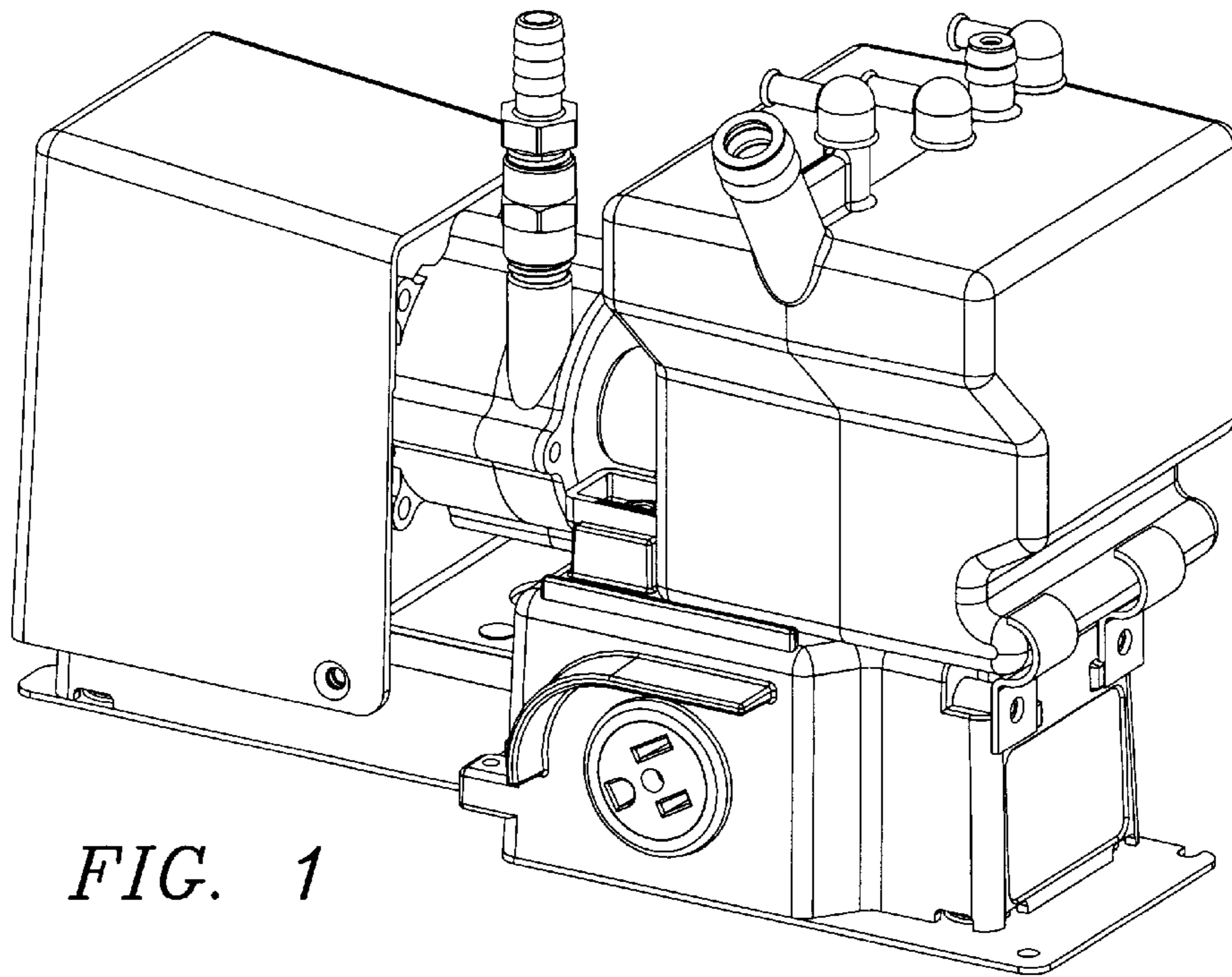
[56] **References Cited**

U.S. PATENT DOCUMENTS

- D. 354,754 1/1995 Broughton D15/7
- D. 380,479 7/1997 Cantley et al. D15/7

1 Claim, 4 Drawing Sheets





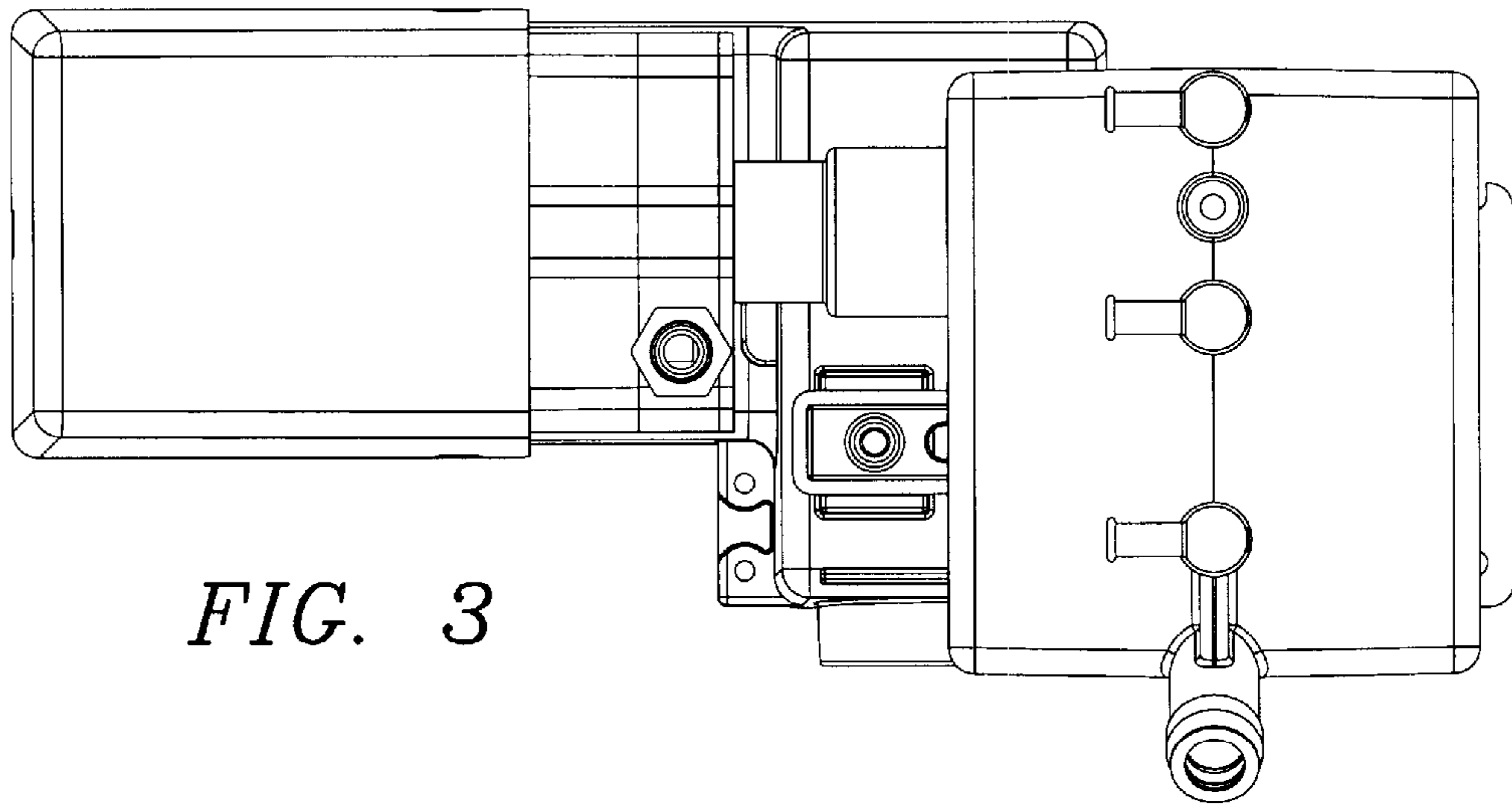


FIG. 3

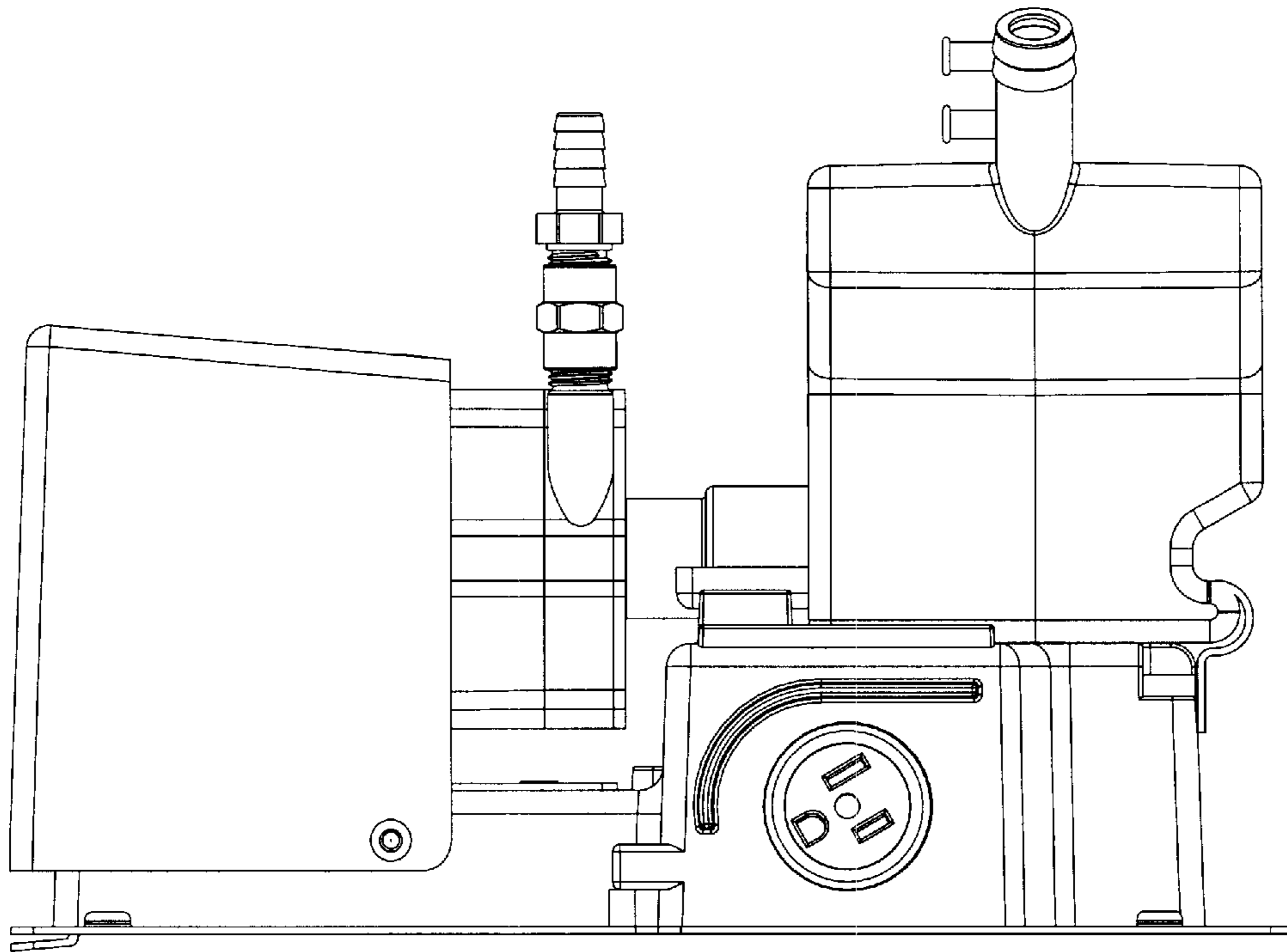


FIG. 4

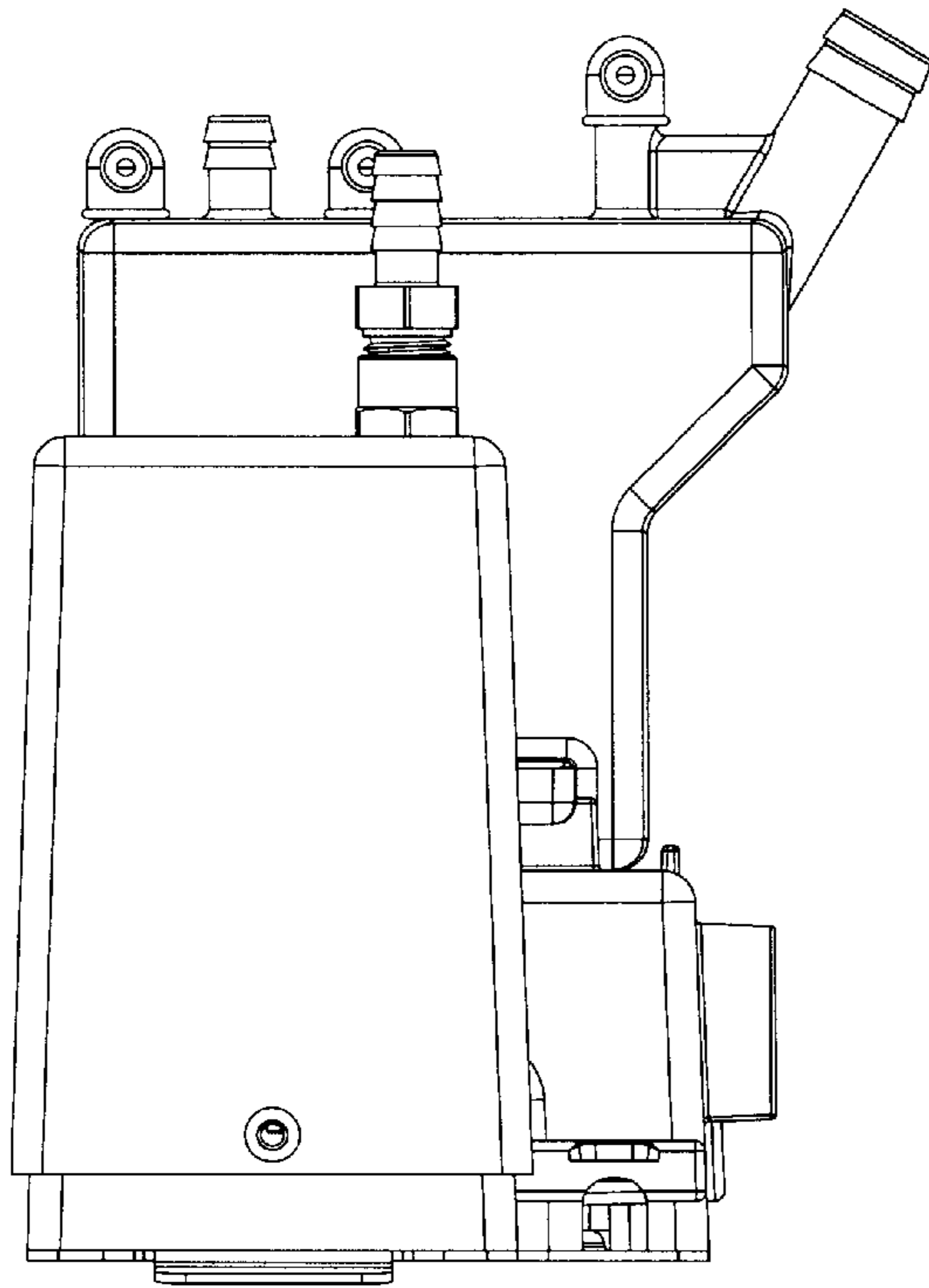


FIG. 5

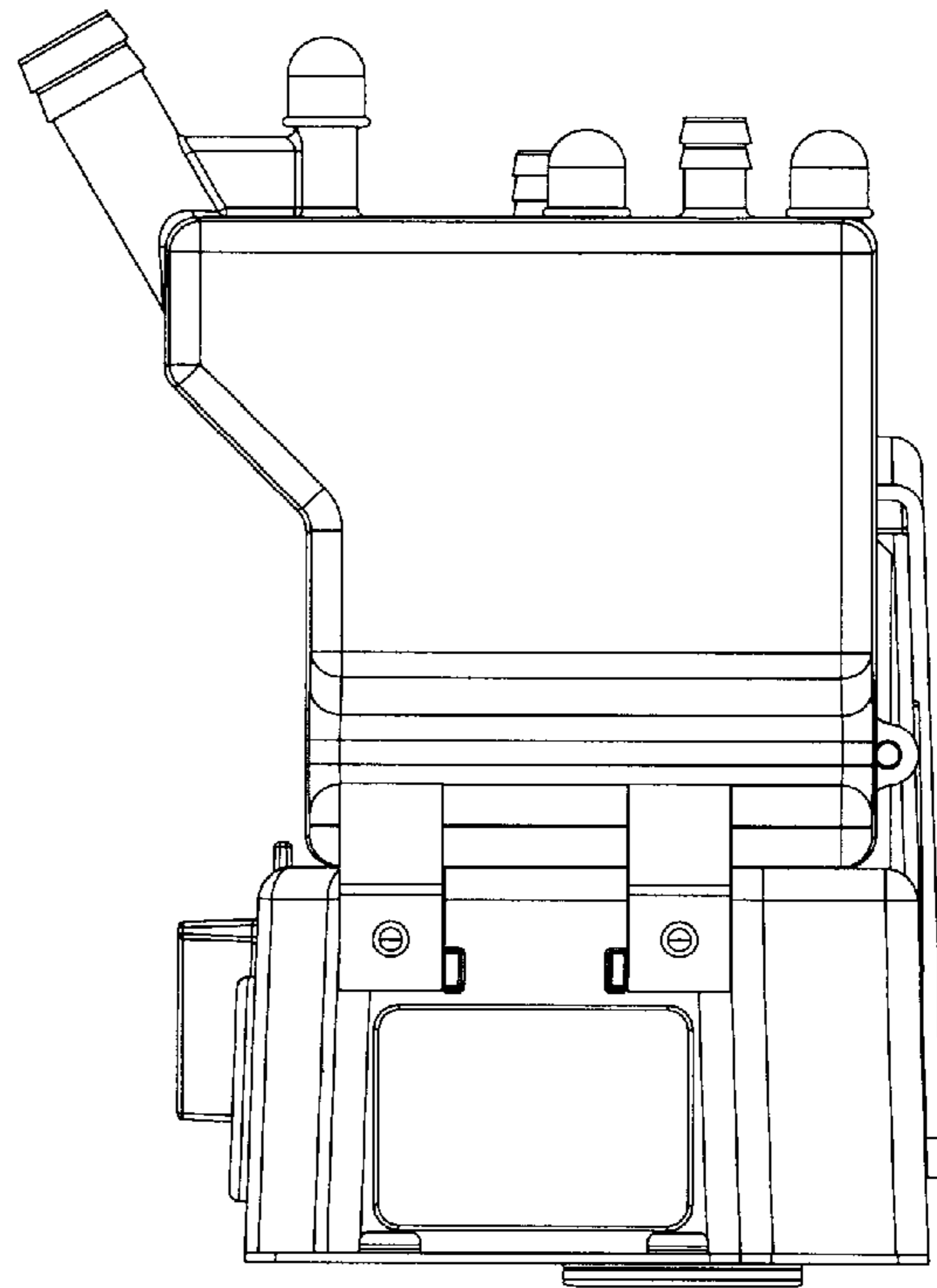


FIG. 6

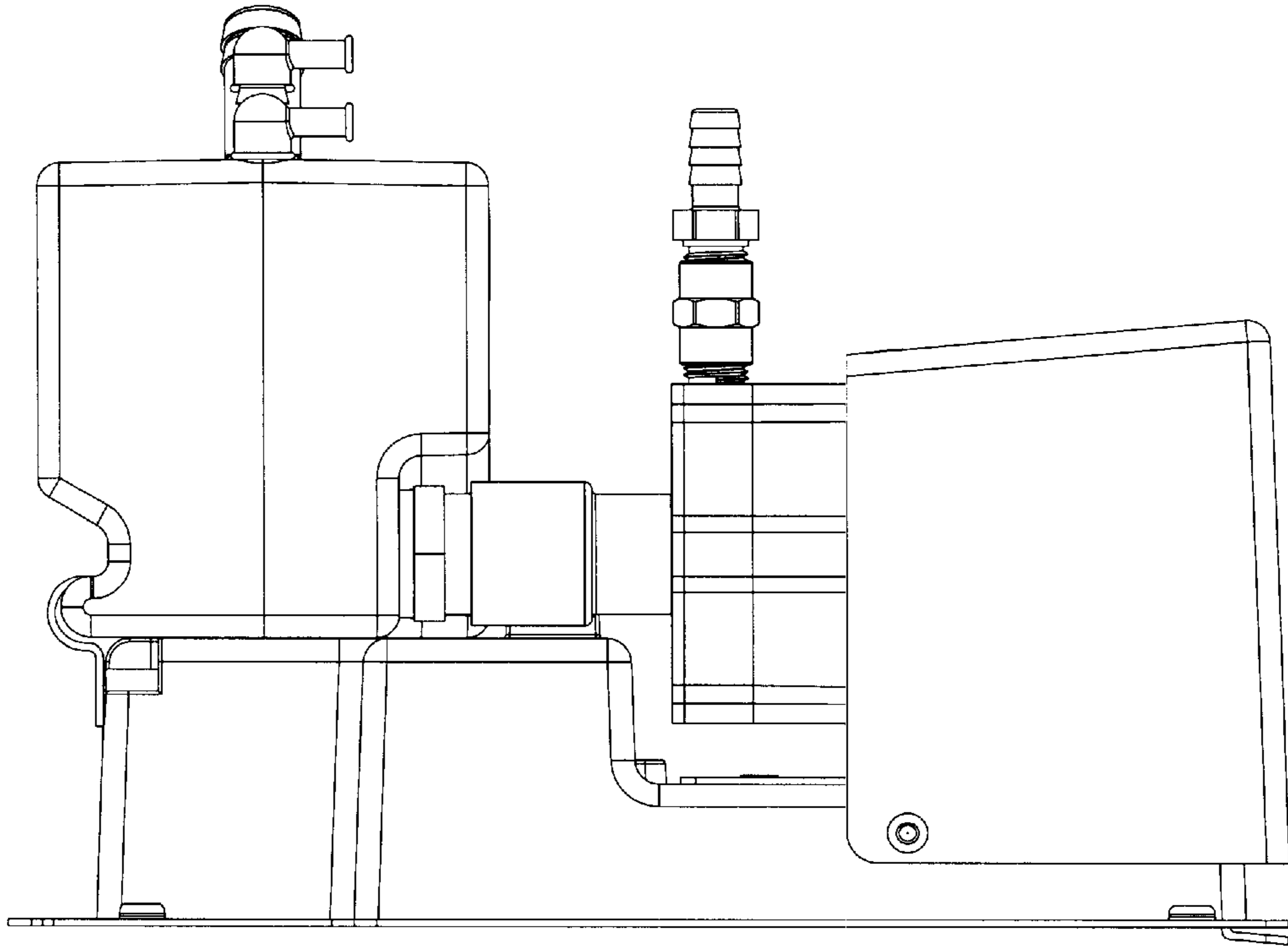


FIG. 7

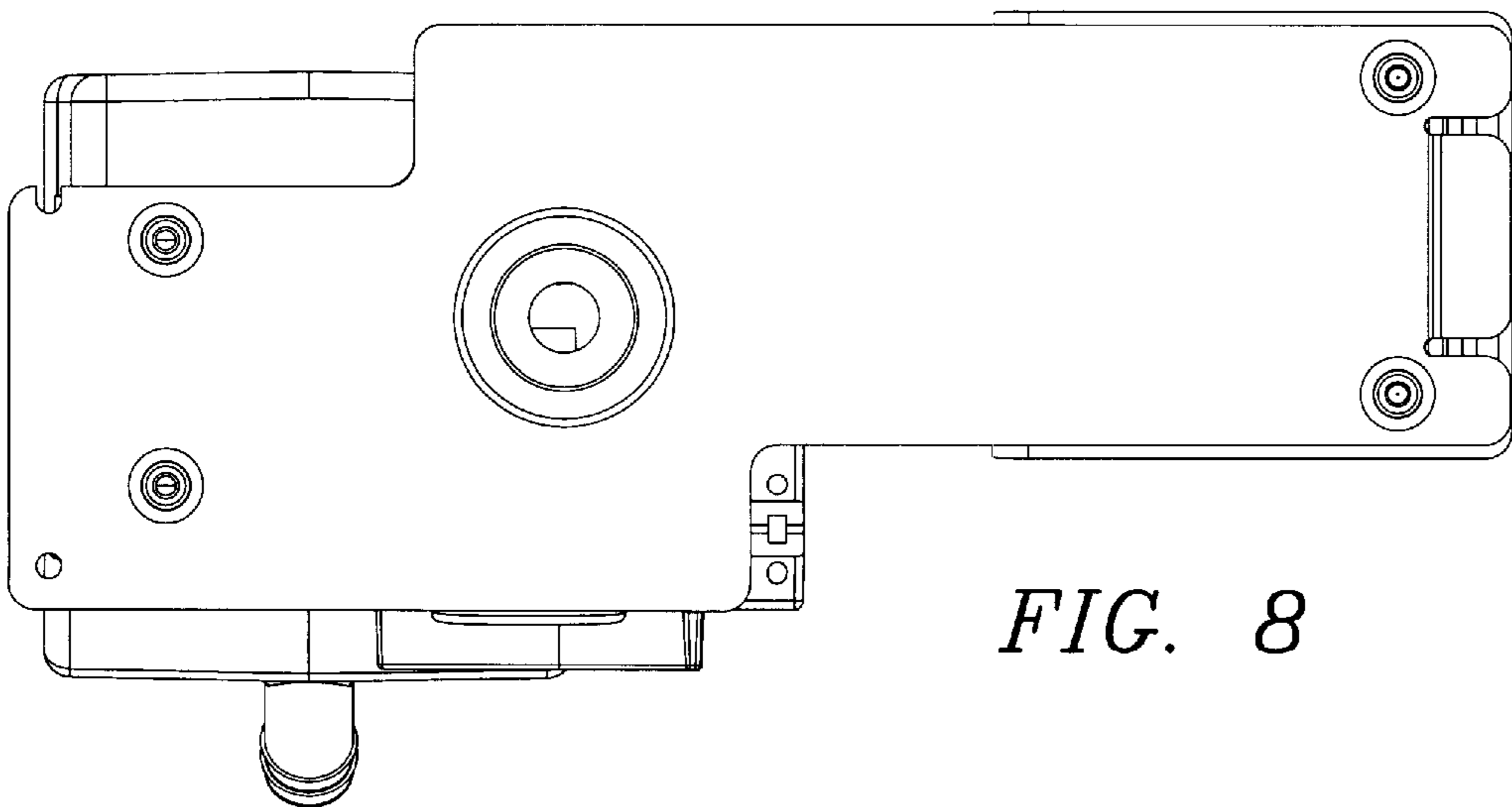


FIG. 8