



US00D419158S

United States Patent [19]

Mackie et al.

[11] Patent Number: Des. 419,158

[45] Date of Patent: ** Jan. 18, 2000

[54] **SPEAKER**

D. 305,892	2/1990	Freed	D14/214 X
D. 379,629	6/1997	Watson et al.	D14/214 X
4,805,729	2/1989	Wascom	181/144

[75] Inventors: **Greg C. Mackie**, Kirkland; **Joseph L. Erno**, Snohomish, both of Wash.

OTHER PUBLICATIONS

[73] Assignee: **Mackie Designs, Inc.**, Woodinville, Wash.

PC and Mac connection, p. 127, Toshiba Multimedia Bundle (located in examiner's office).

[**] Term: **14 Years**

Primary Examiner—Nanda Bondade
Attorney, Agent, or Firm—Weiss Jensen Ellis & Howard; Kathleen T. Petrich

[21] Appl. No.: **29/099,671**

[22] Filed: **Jan. 26, 1999**

[57] CLAIM

[51] **LOC (7) Cl.** **14-01**

The ornamental design for a speaker, as shown and described.

[52] **U.S. Cl.** **D14/214; D14/215**

[58] **Field of Search** D14/204, 209-216; 181/144, 145, 147, 148, 150, 153, 157, 198, 199; 381/24, 88, 90-91, 153, 159, 186, 188

DESCRIPTION

[56] References Cited

U.S. PATENT DOCUMENTS

D. 222,676	11/1971	Ishikawa	D14/214
D. 228,139	8/1973	Ishikawa	D14/214
D. 231,473	4/1974	Shirasaki et al.	D14/211
D. 268,673	4/1983	Iijima	D14/214

FIG. 1 is a right front perspective view of the invention as claimed;
FIG. 2 is a right side elevational view thereof;
FIG. 3 is a rear view thereof;
FIG. 4 is a left side elevational view thereof;
FIG. 5 is a bottom plan view thereof; and,
FIG. 6 is a top plan view thereof.

1 Claim, 5 Drawing Sheets

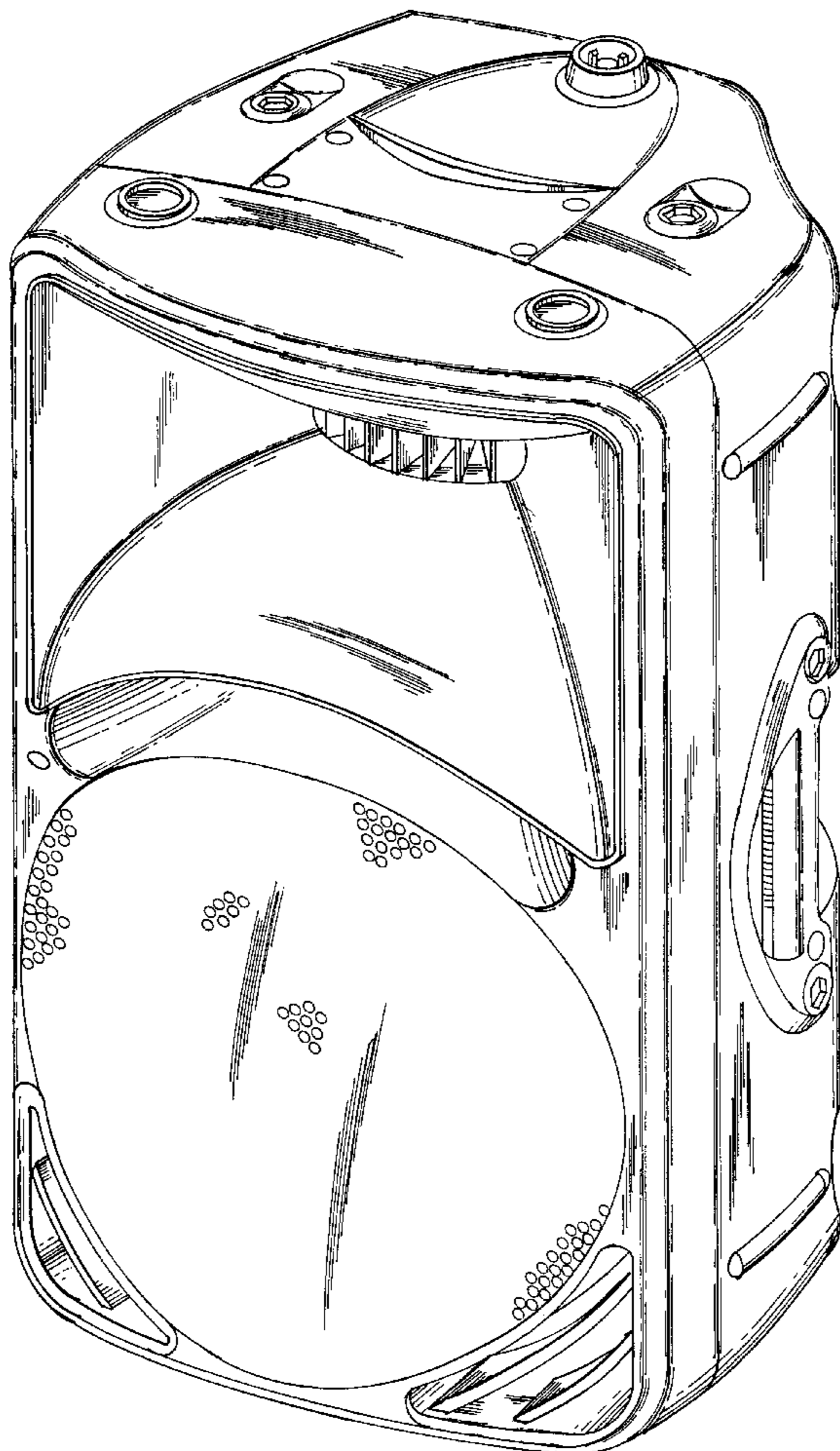


FIG. 1

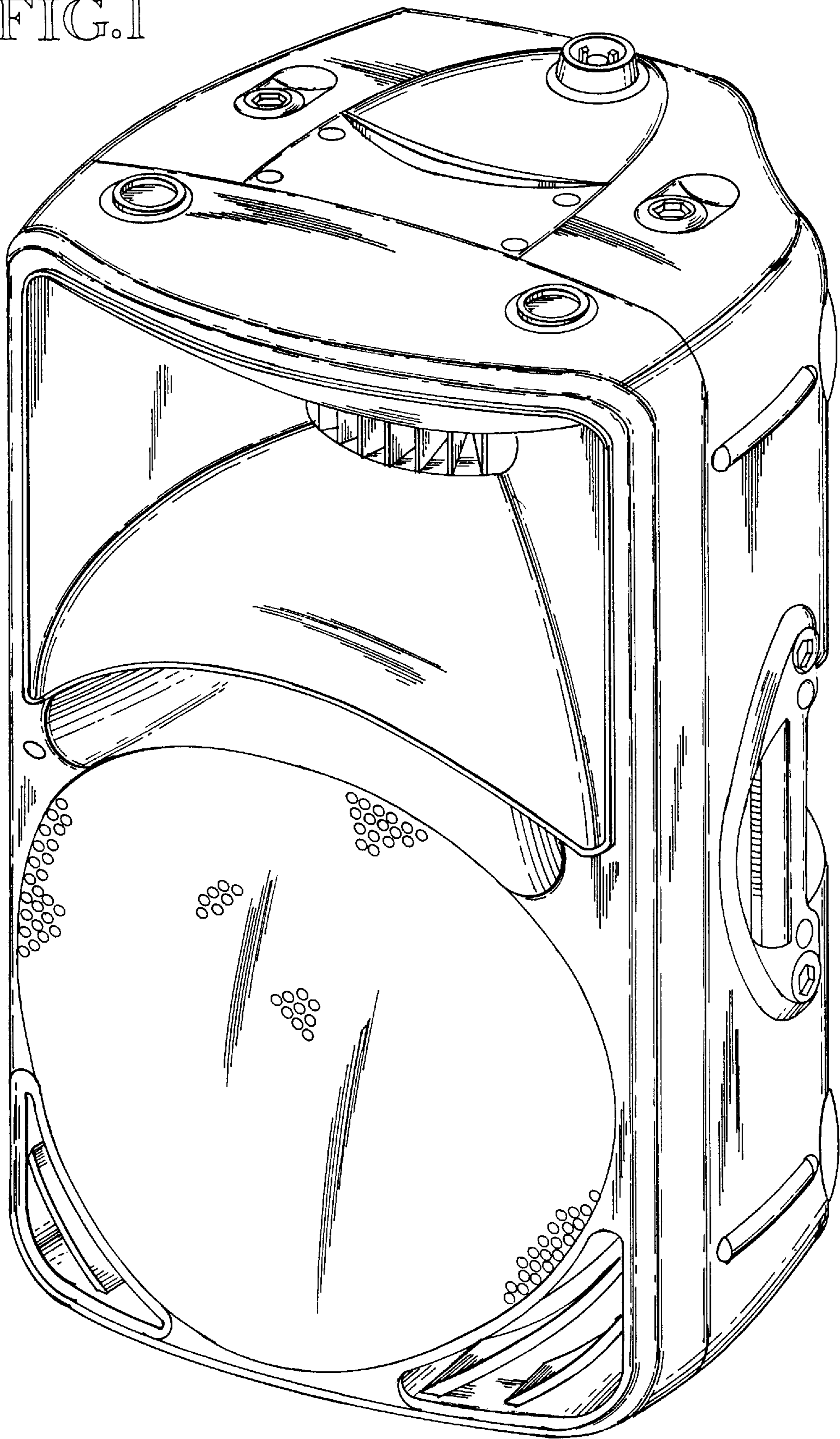
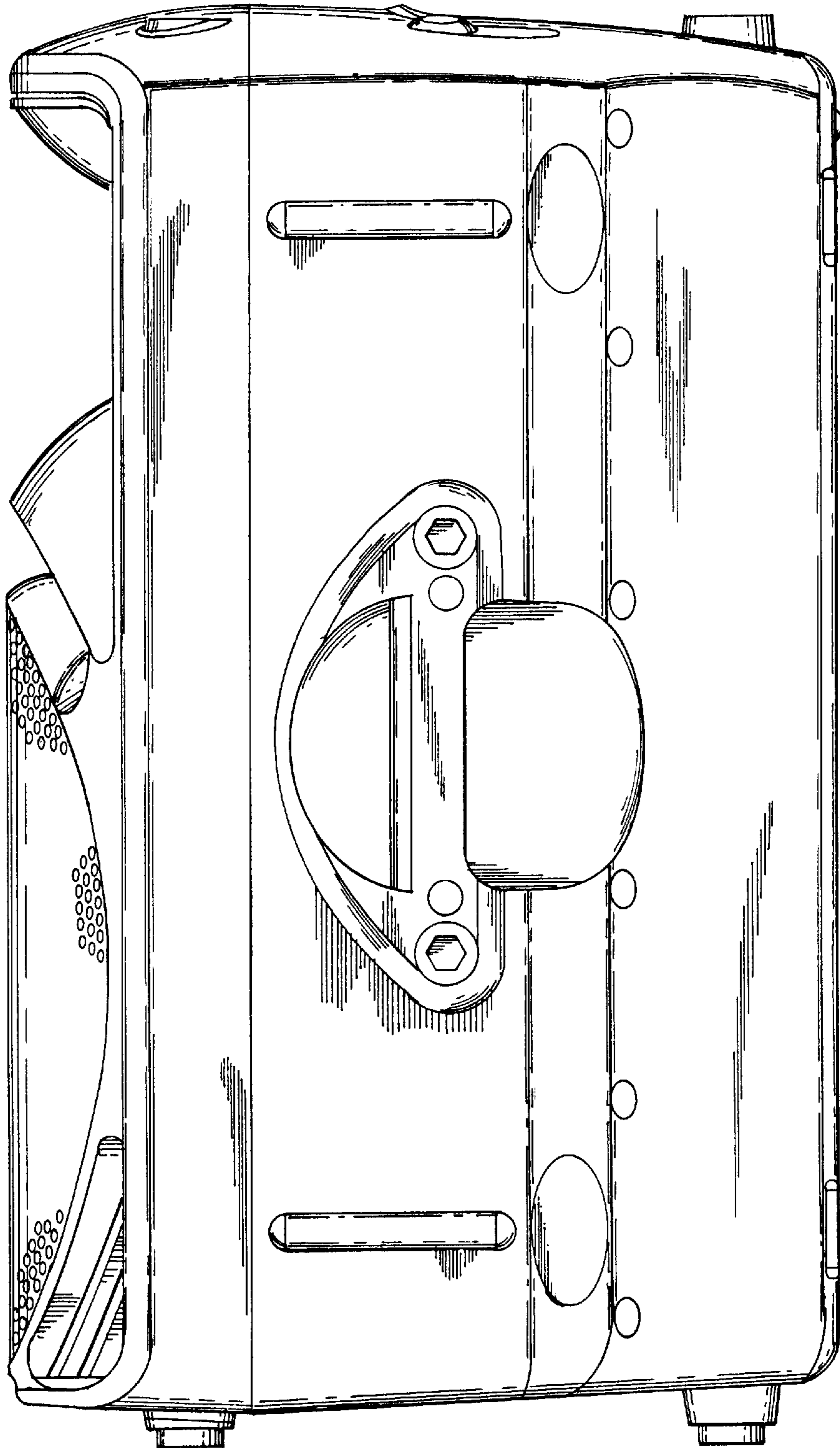


FIG. 2



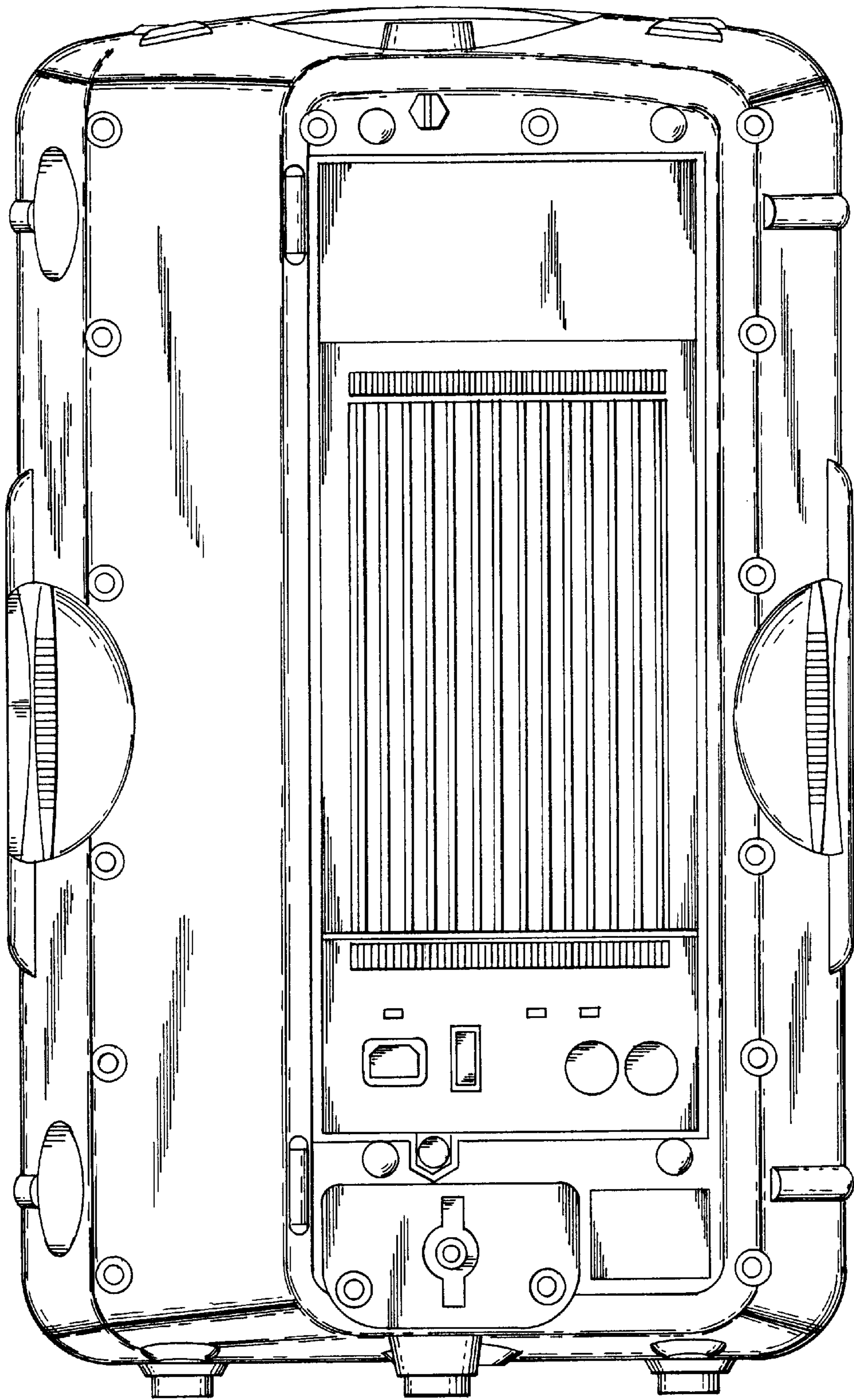


FIG. 3

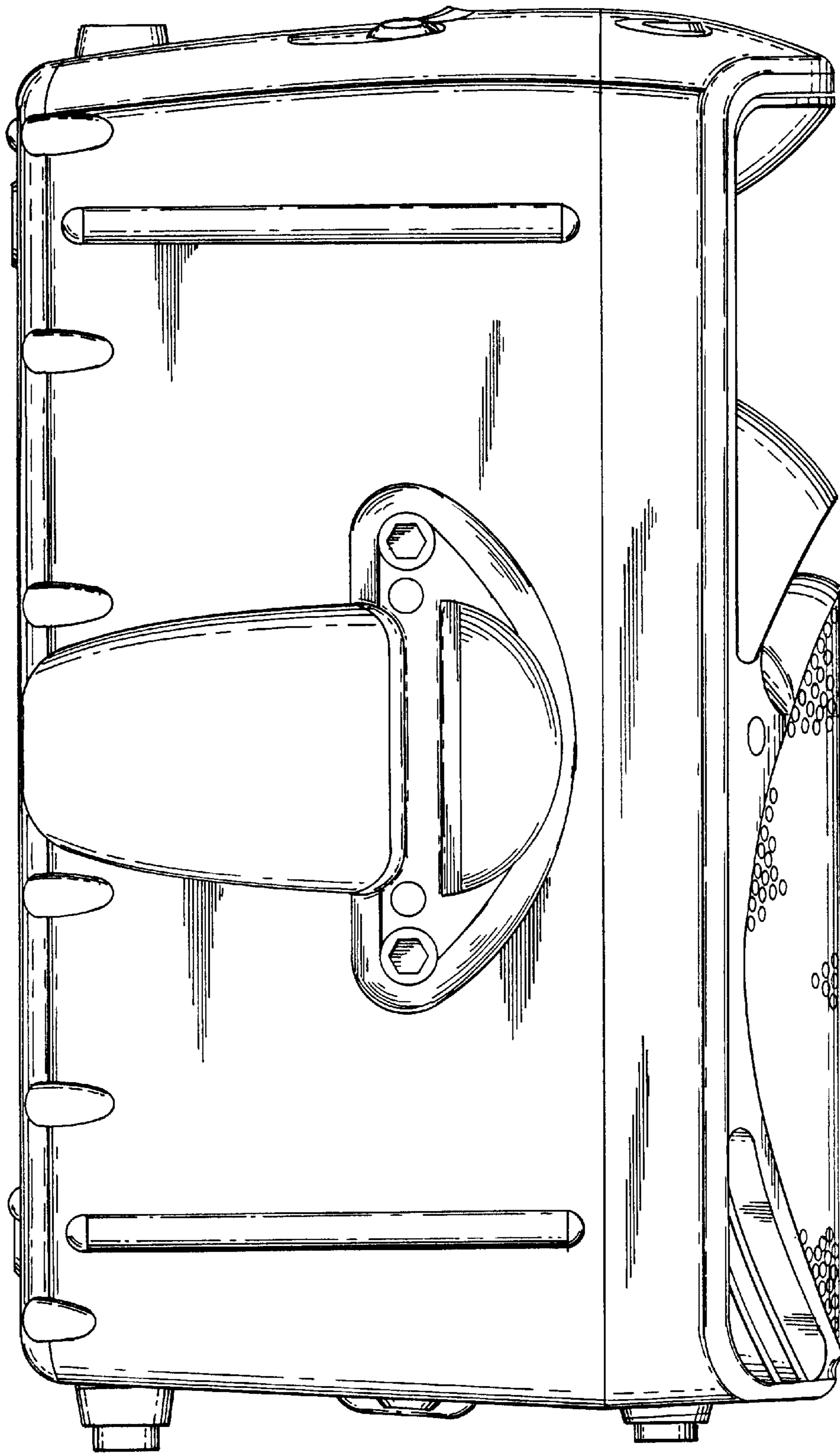


FIG. 4

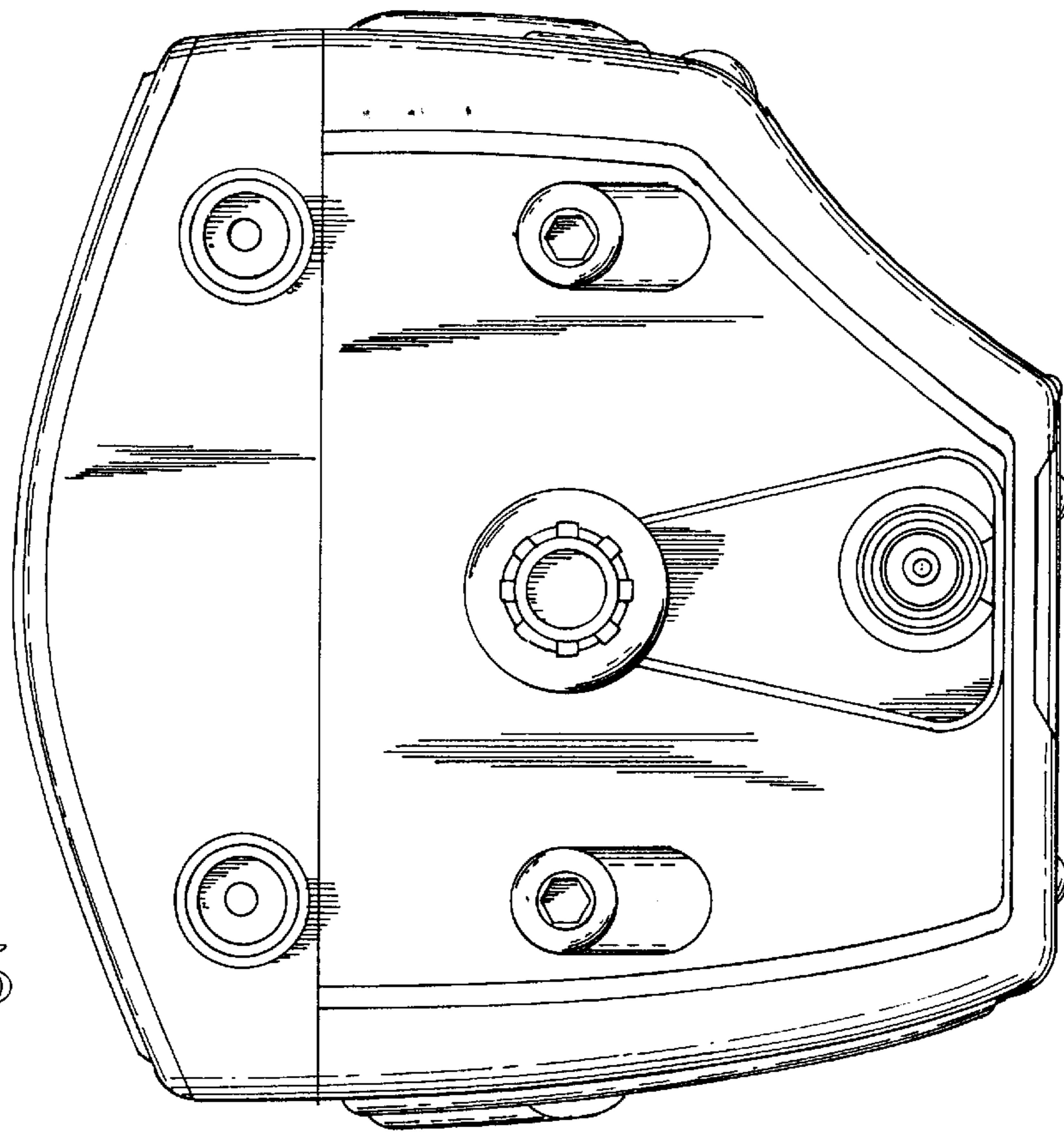


FIG. 5

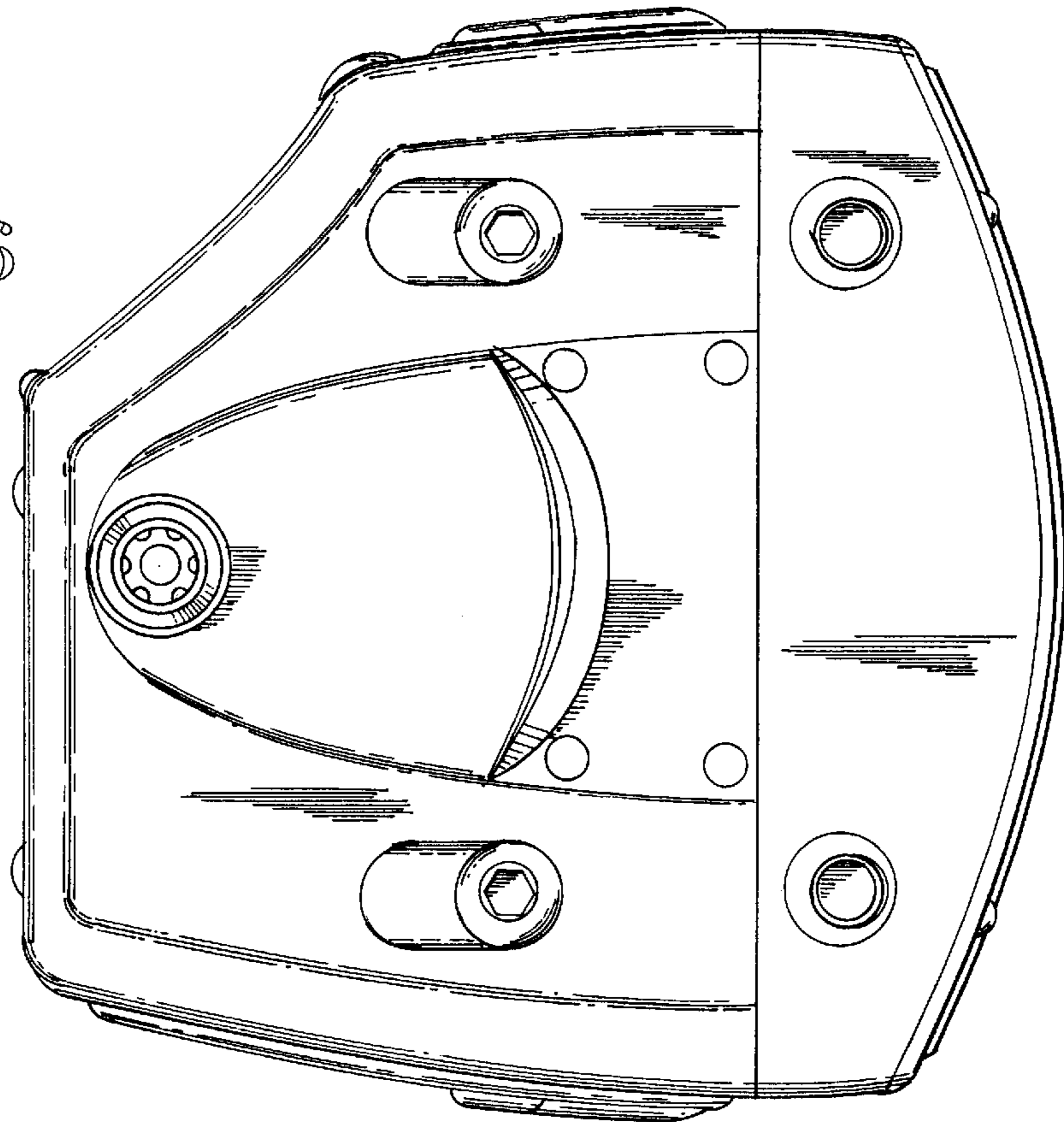


FIG. 6