



US00D419142S

United States Patent [19] Lampatz

[11] **Patent Number: Des. 419,142**

[45] **Date of Patent: ** Jan. 18, 2000**

[54] **MONITOR BUTTONS**

[75] Inventor: **Holger Lampatz**, Gladbeck, Germany

[73] Assignee: **Maxdata Computer GmbH**, Marl, Germany

[**] Term: **14 Years**

[21] Appl. No.: **29/097,549**

[22] Filed: **Dec. 8, 1998**

[51] **LOC (7) Cl.** **14-02**

[52] **U.S. Cl.** **D14/113; D14/114; D14/115**

[58] **Field of Search** D14/100, 106, D14/113, 115, 114, 126-129; 341/12; 345/104, 133, 156, 168, 87, 173; 348/180, 184, 325, 739; 349/1, 2, 11, 62; 248/918-924

[56] **References Cited**

U.S. PATENT DOCUMENTS

- D. 326,260 5/1992 Oshima D14/113
- D. 336,645 6/1993 Saito et al. D14/126

Primary Examiner—Freda Nunn
Attorney, Agent, or Firm—Flehr Hohbach Test Albritton & Herbert LLP

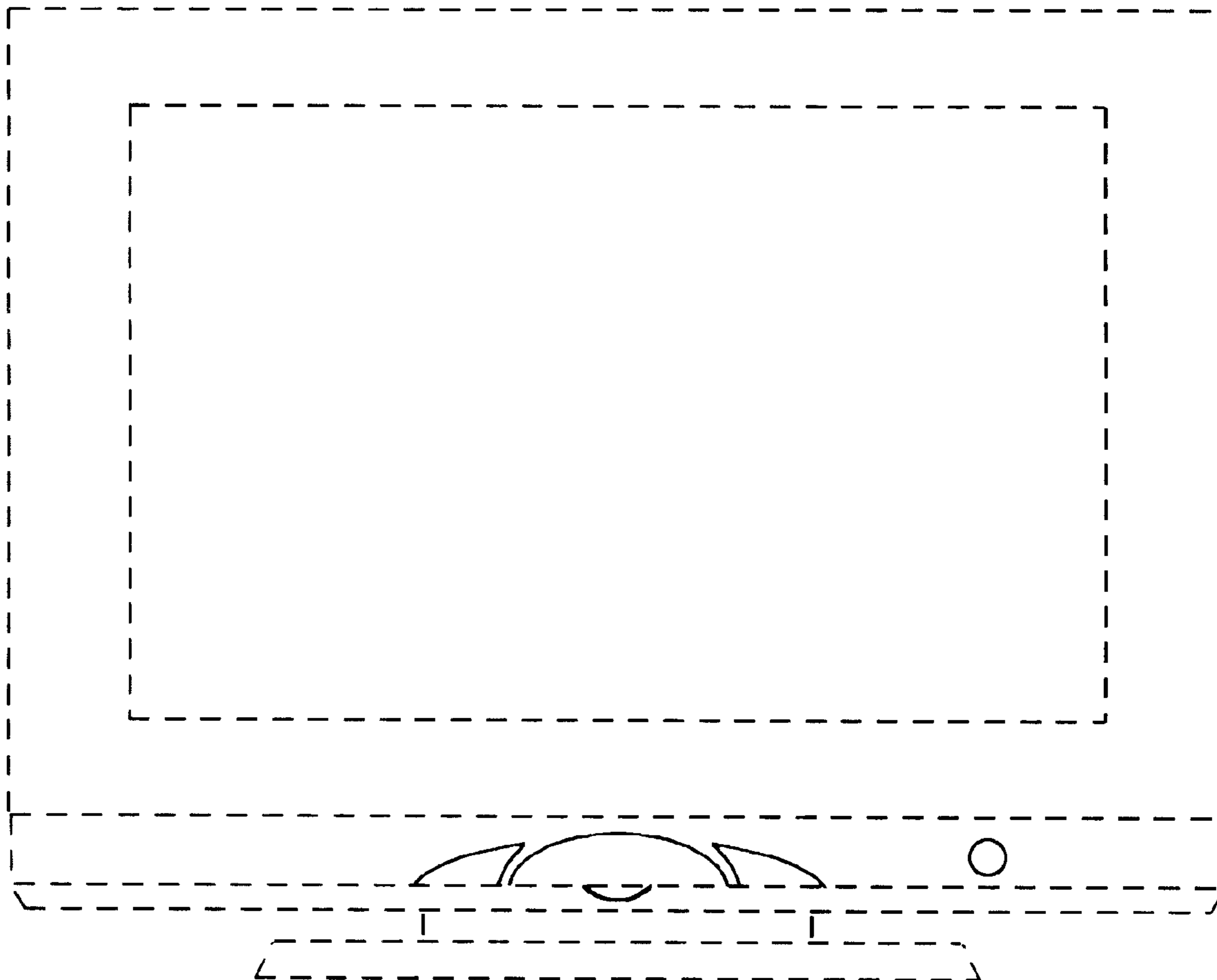
[57] **CLAIM**

The ornamental design for monitor buttons, as shown and described.

DESCRIPTION

FIG. 1 is a front view of a first embodiment of monitor buttons showing my new design; FIG. 2 is a right side view thereof; FIG. 3 is a left side view thereof; FIG. 4 is a perspective view thereof; FIG. 5 is a front view of a second embodiment of monitor buttons showing my new design; FIG. 6 is a right side view thereof; FIG. 7 is a left side view thereof; and, FIG. 8 is a perspective view thereof. The monitor is shown in broken lines in the views for illustrative purposes only and form no part of the claimed design.

1 Claim, 6 Drawing Sheets



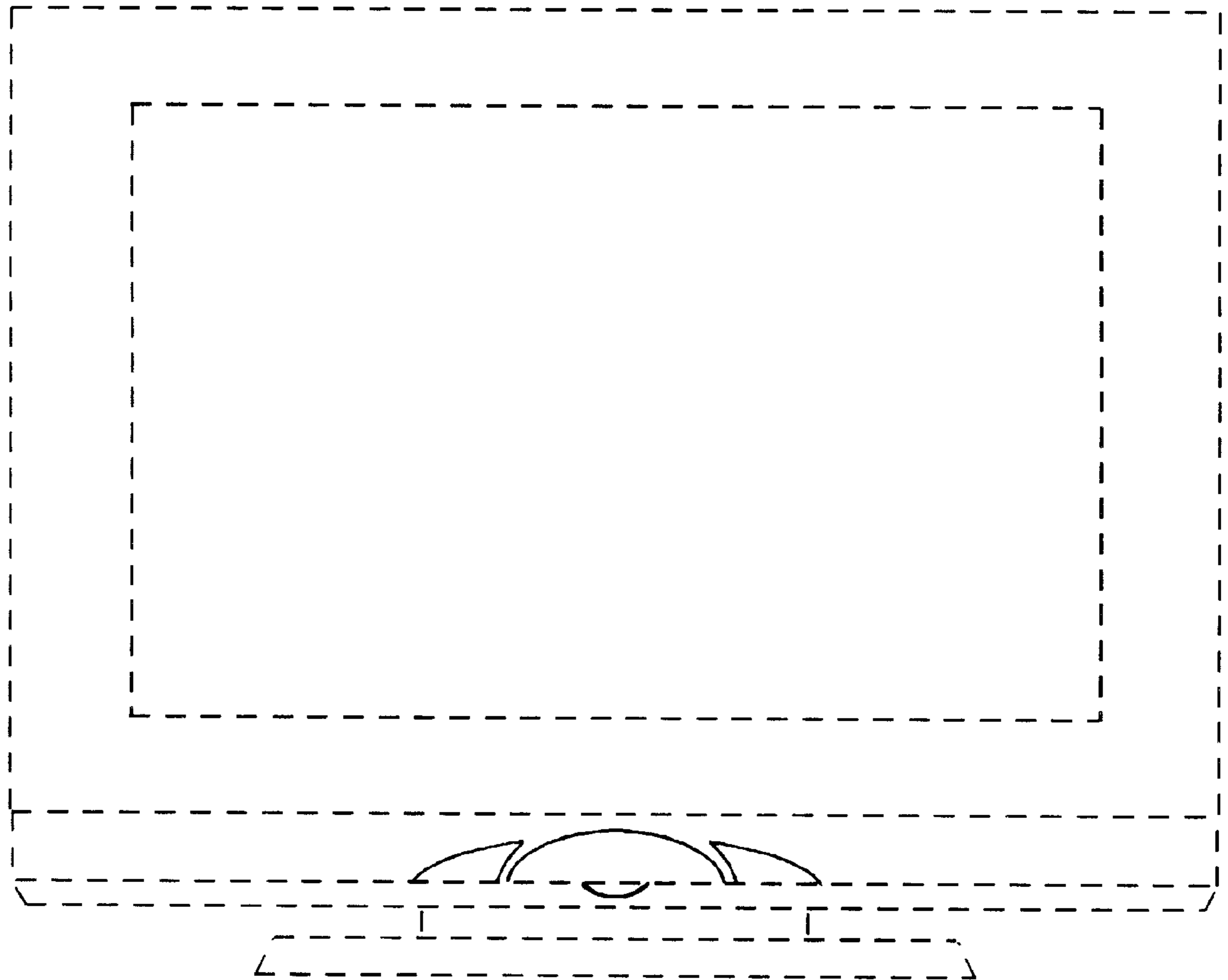


FIG. 1

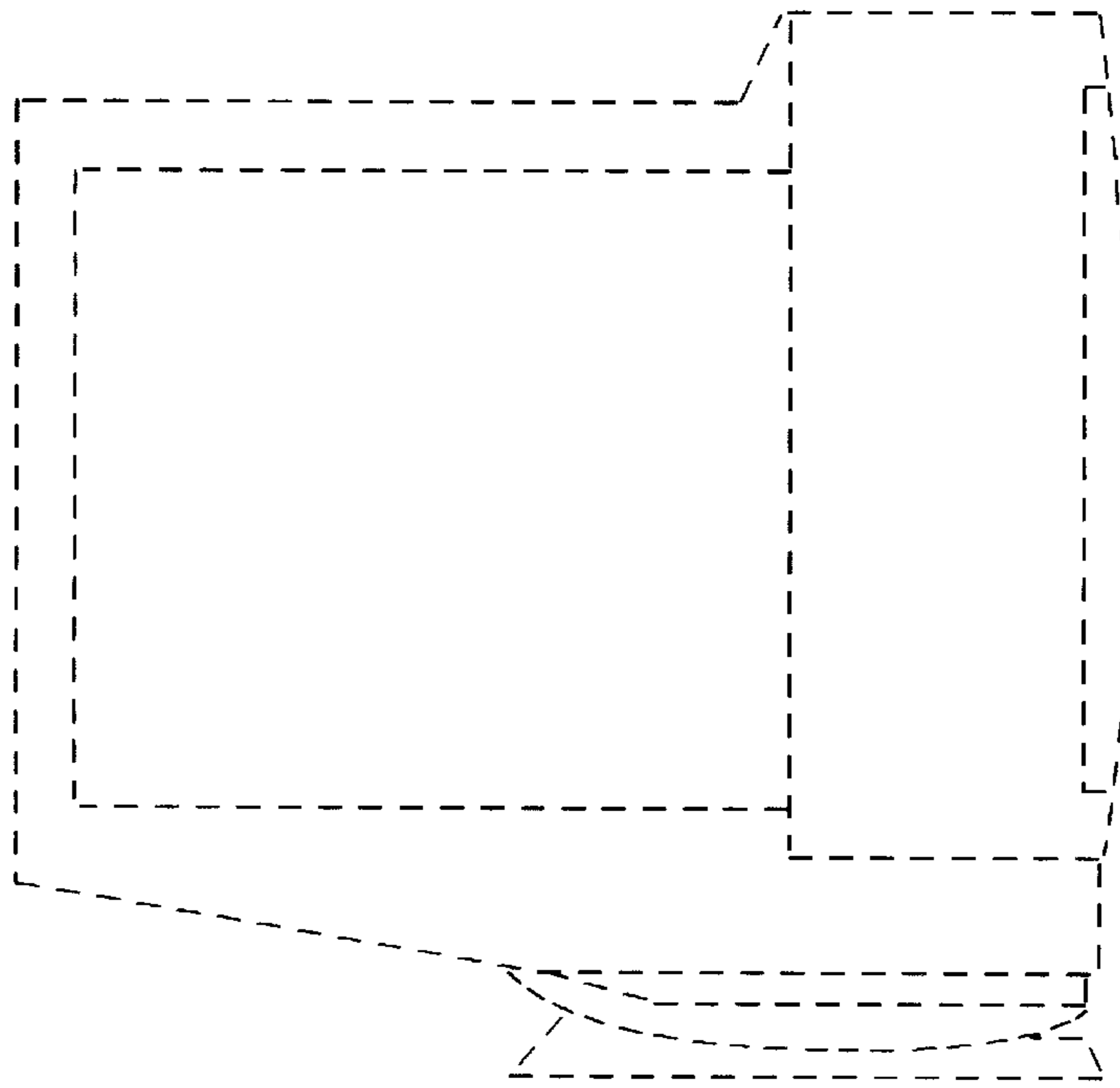


FIG. 2

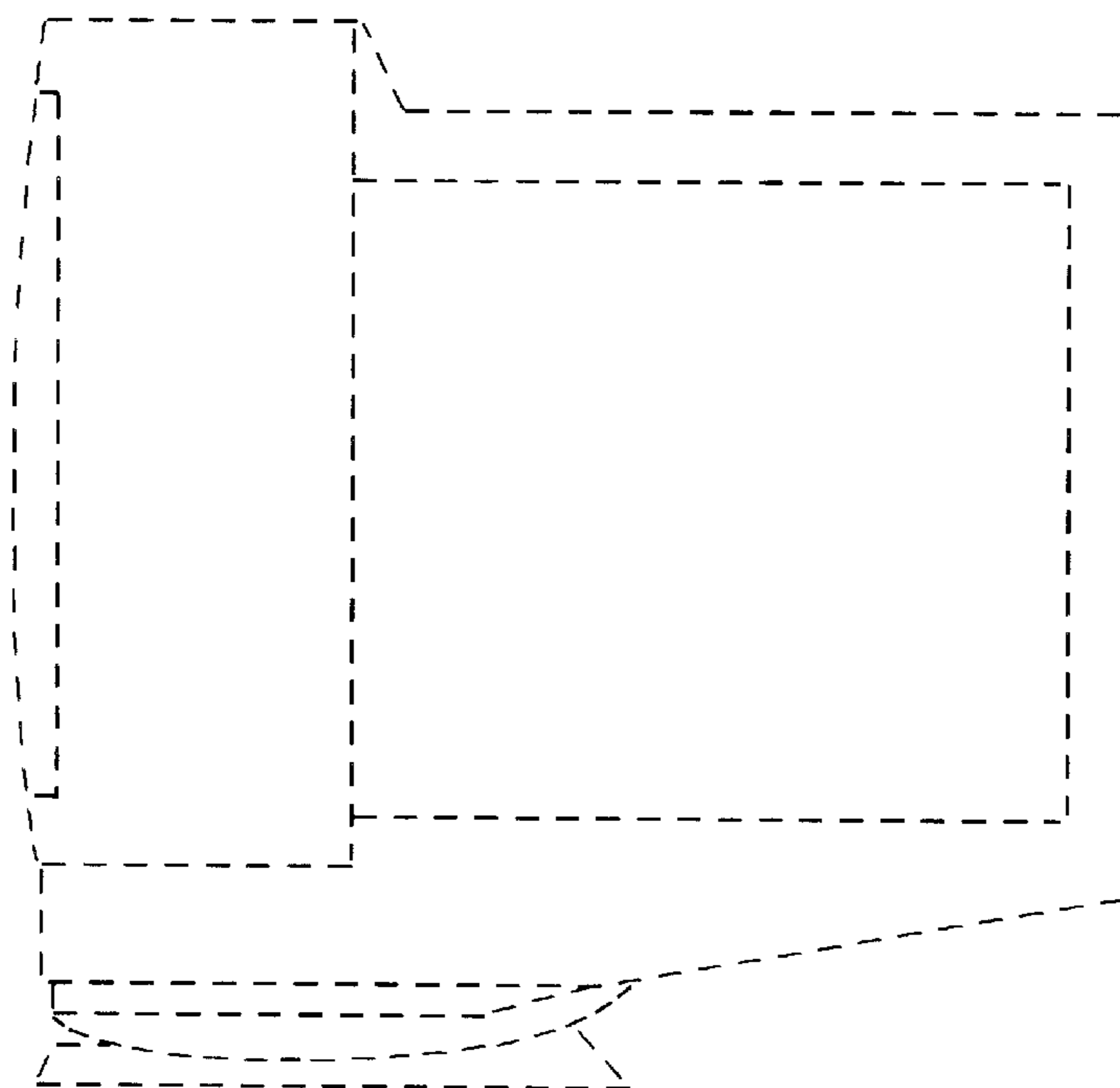


FIG. 3

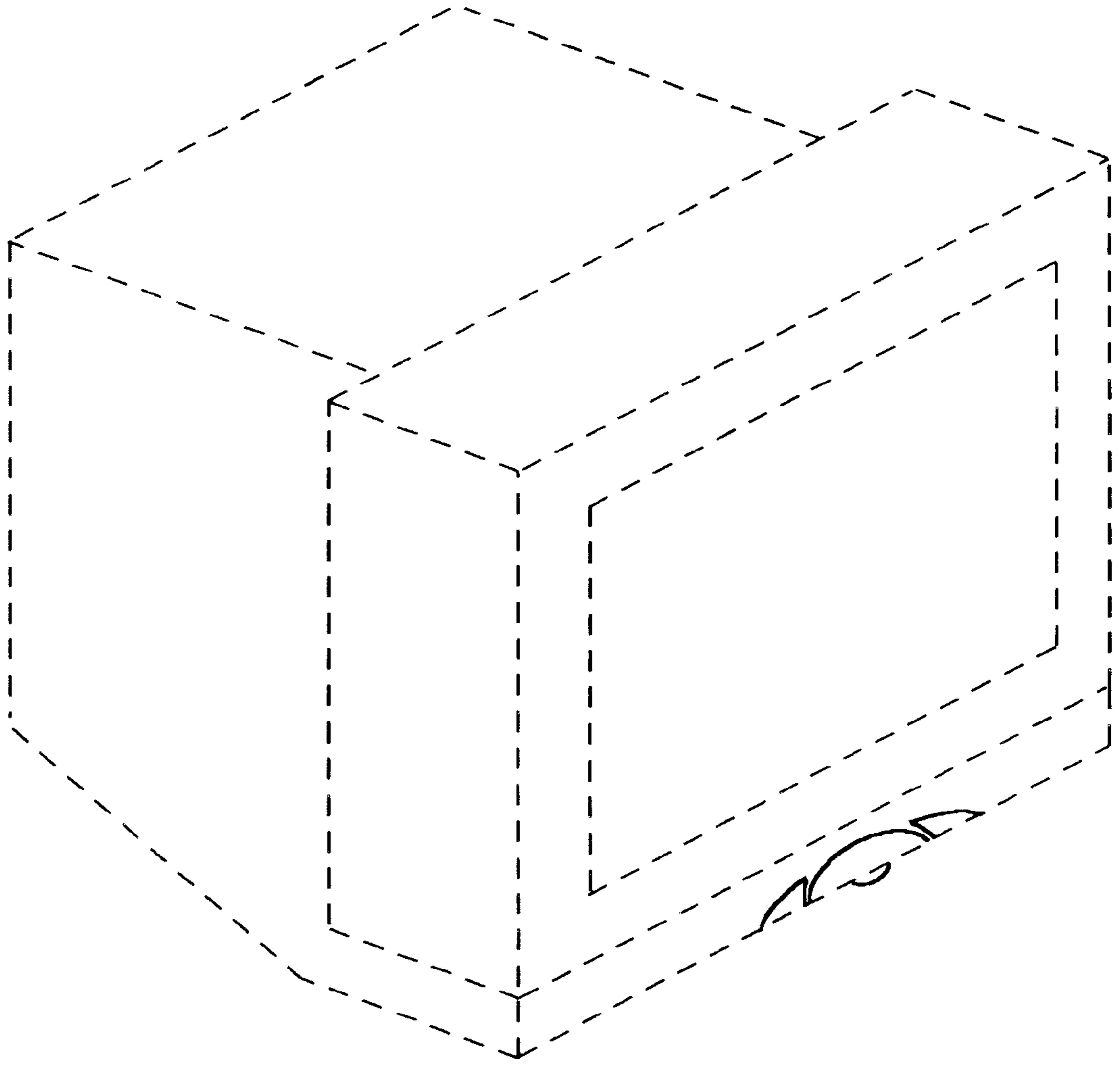


FIG. 4

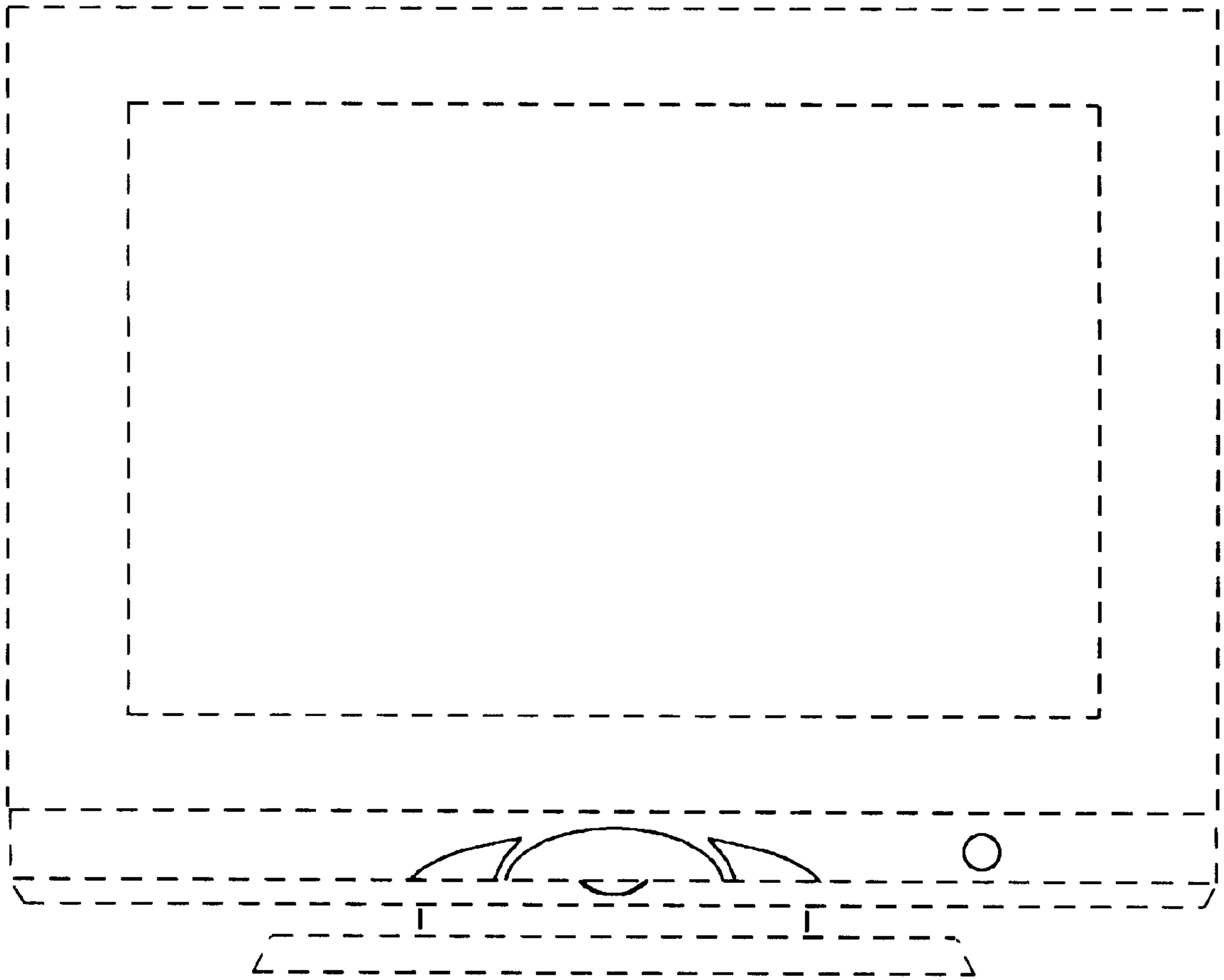


FIG. 5

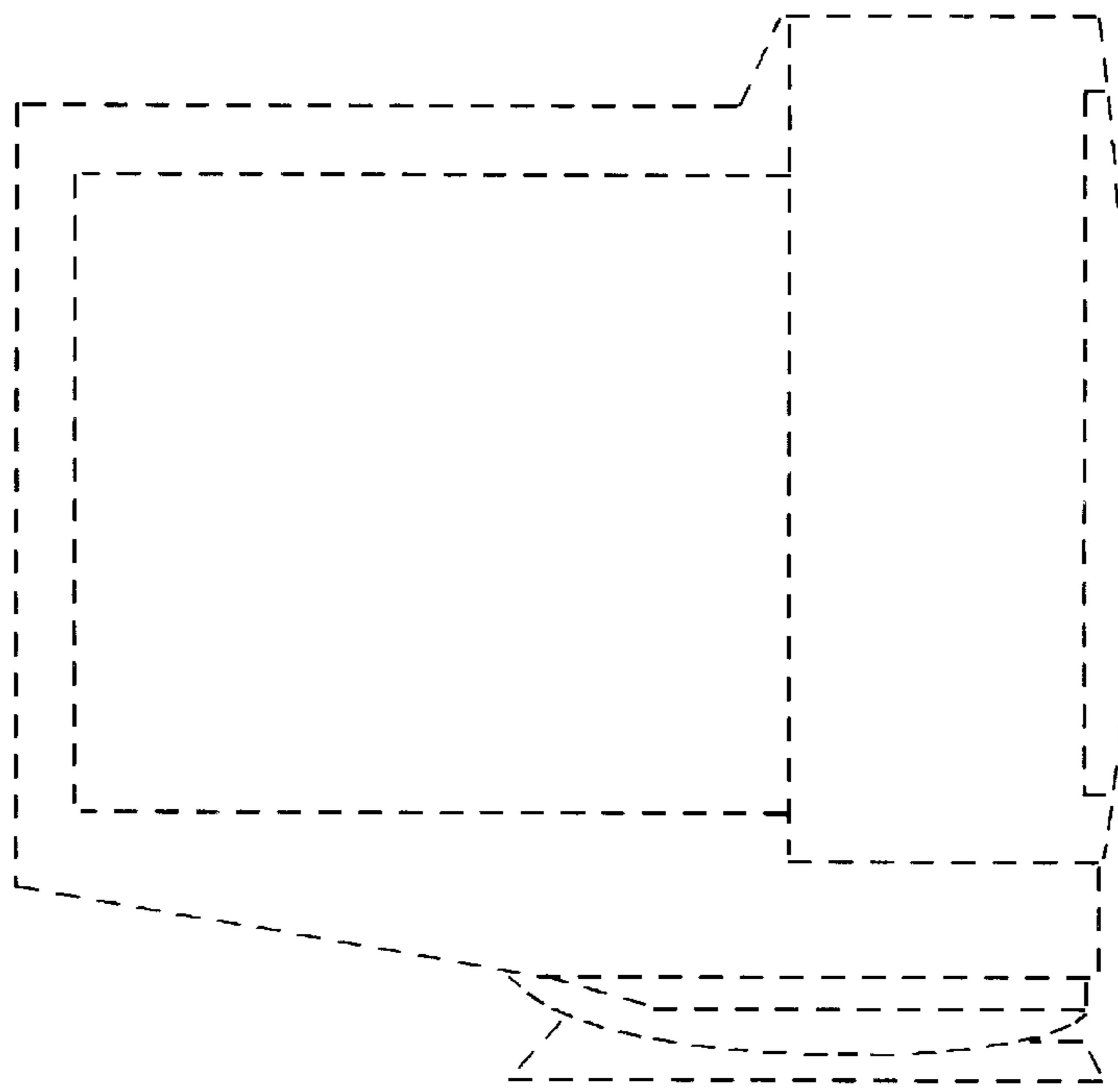


FIG. 6

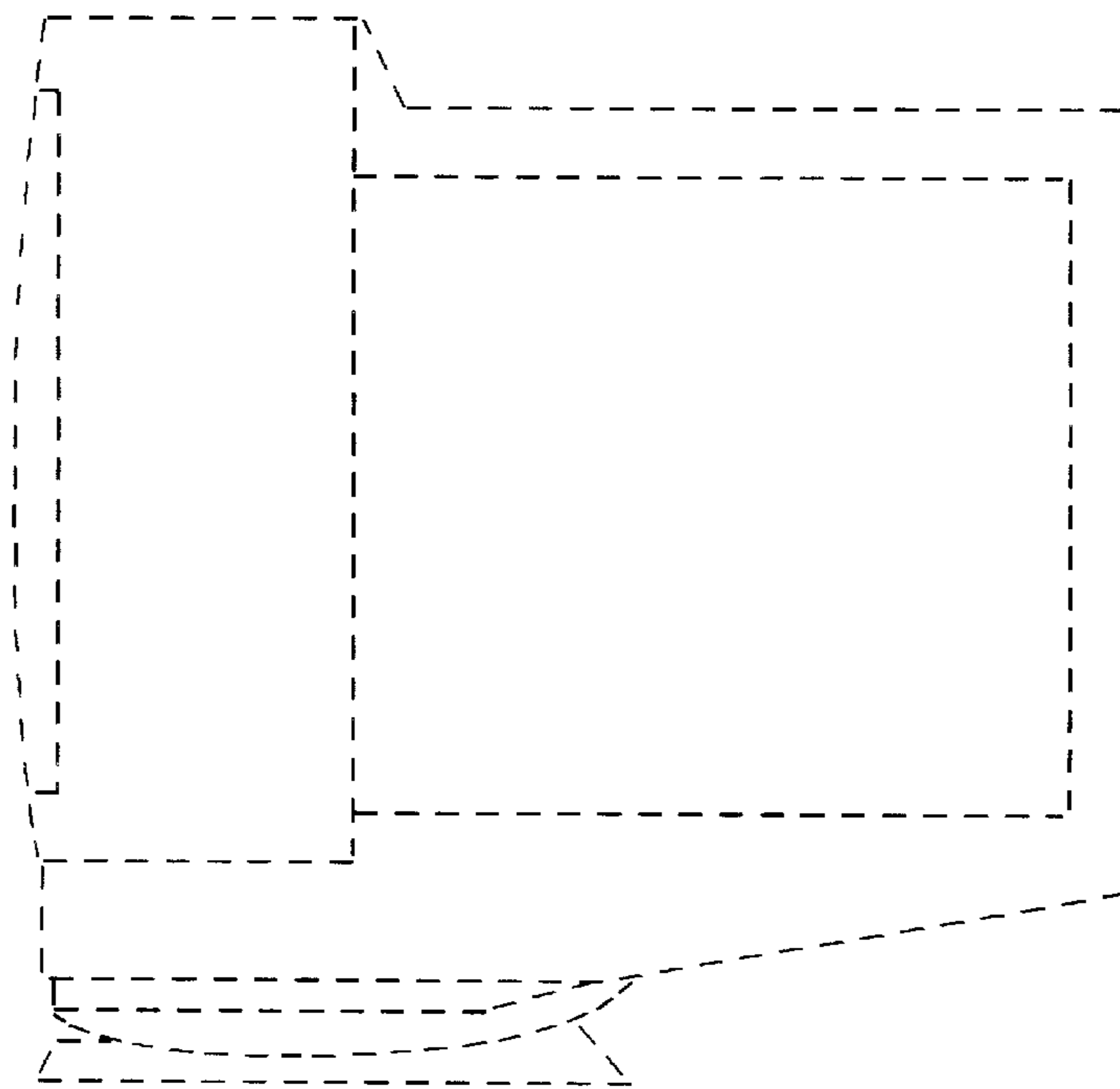


FIG. 7

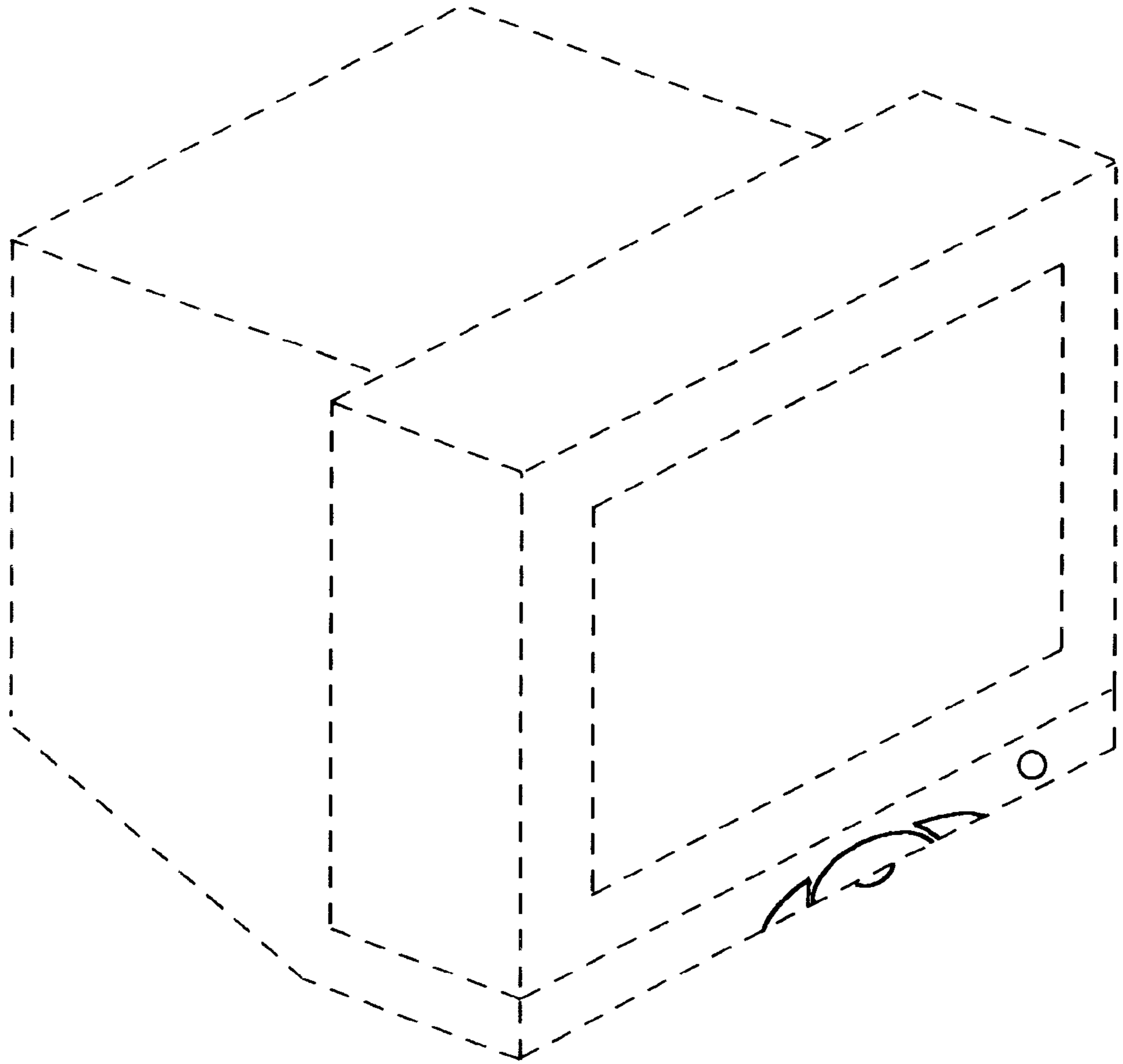


FIG. 8